



US00D705640S

(12) **United States Design Patent**
Wiese

(10) **Patent No.:** **US D705,640 S**

(45) **Date of Patent:** **** May 27, 2014**

(54) **HINGE**

(71) Applicant: **Creative Components (Pty.) Ltd.**, Cape Town (ZA)

(72) Inventor: **Barry Ian Wiese**, Hout Bay (ZA)

(73) Assignee: **Creative Components (Pty.) Ltd.** (ZA)

(**) Term: **14 Years**

(21) Appl. No.: **29/445,440**

(22) Filed: **Feb. 12, 2013**

Related U.S. Application Data

(62) Division of application No. 29/386,932, filed on Mar. 7, 2011.

(30) **Foreign Application Priority Data**

Sep. 9, 2010 (EM) 001752742
Sep. 21, 2010 (EM) 001757691

(51) **LOC (10) Cl.** **08-06**

(52) **U.S. Cl.**
USPC **D8/323**

(58) **Field of Classification Search**
USPC D8/323, 331, 336, 354; D3/324;
D23/303; 4/236, 240; 16/309, 235,
16/275, 244, 379, 390, 430, 241, 238, 225,
16/250, 362, 365, 279, 342, 337, 319,
16/221; 248/224.7, 682; 312/324
See application file for complete search history.

(56) **References Cited**

U.S. PATENT DOCUMENTS

D5,304 S * 10/1871 Suedekum D8/327
3,895,413 A * 7/1975 Buergers 16/382
3,899,905 A 8/1975 Walters
D263,370 S * 3/1982 Bisbing D8/323
D263,446 S * 3/1982 Bisbing D8/323

D268,733 S * 4/1983 Bisbing D8/323
5,150,500 A * 9/1992 Bisbing 16/239
D339,051 S * 9/1993 Bisbing D8/323
5,332,251 A 7/1994 Farquhar
D415,407 S 10/1999 Ducker
6,178,598 B1 1/2001 Creely et al.
6,324,877 B2 12/2001 Neeley
D498,136 S 11/2004 Parker
D507,170 S 7/2005 Franchini
D512,897 S 12/2005 Franchini
D545,664 S 7/2007 Fields
D554,469 S 11/2007 Sato
D594,735 S 6/2009 Hofer
D623,045 S 9/2010 Moncade et al.
D639,634 S 6/2011 Arai
D651,889 S 1/2012 Mahaffey et al.
D661,174 S 6/2012 Ogawa
8,196,261 B2 * 6/2012 Hayahi 16/337
D664,829 S 8/2012 DeVries et al.
8,474,102 B2 * 7/2013 Wang et al. 16/367
2004/0137970 A1 * 7/2004 Han 455/575.3

FOREIGN PATENT DOCUMENTS

DE 40010090 2/2001

* cited by examiner

Primary Examiner — Cynthia Underwood

(74) *Attorney, Agent, or Firm* — Brooks Kushman P.C.

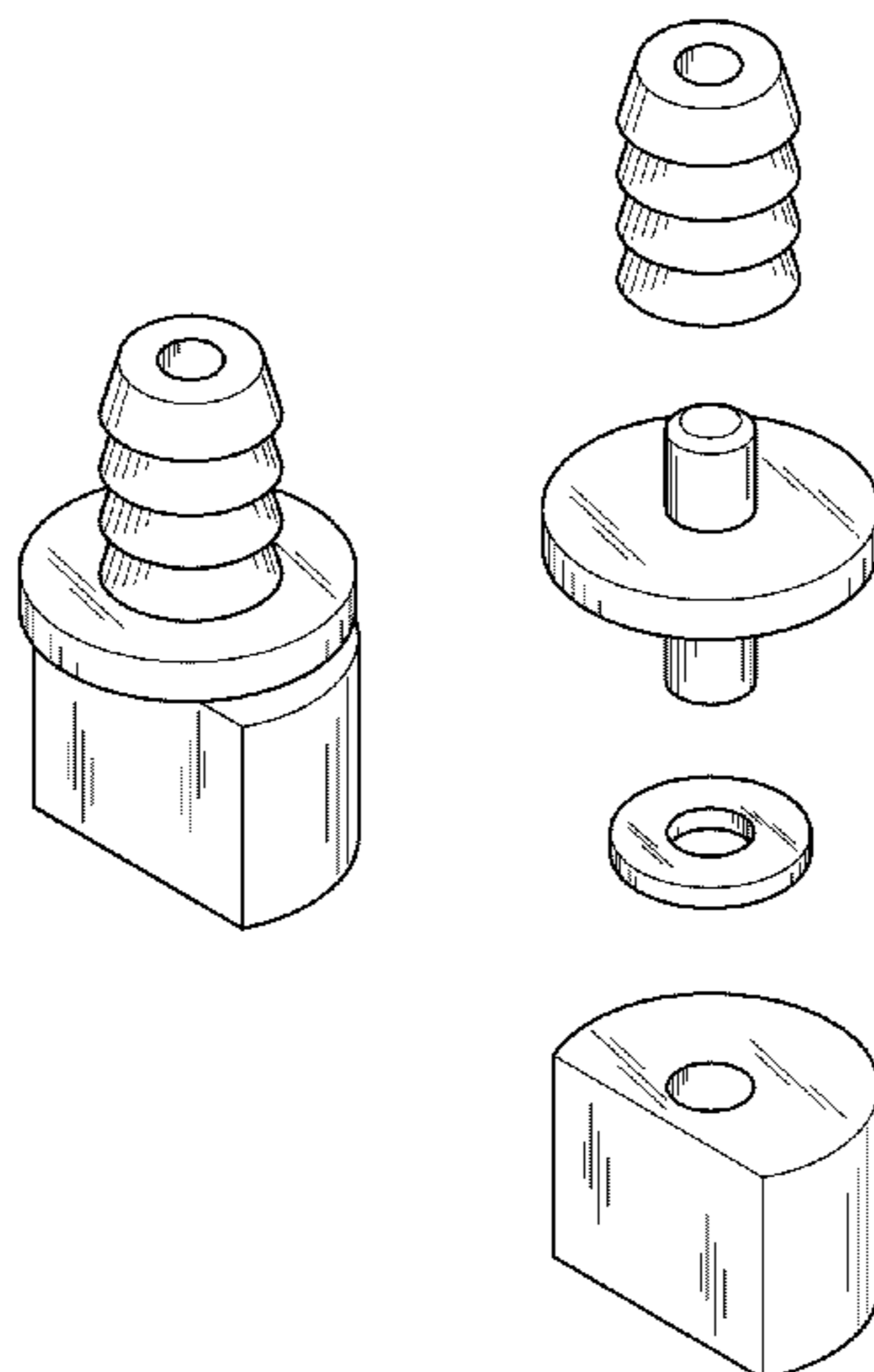
(57) **CLAIM**

The ornamental design for a hinge, as shown and described.

DESCRIPTION

FIG. 1 is a perspective view of the present invention;
FIG. 2 is an exploded perspective view thereof;
FIG. 3 is a front elevational view thereof;
FIG. 4 is a rear elevational view thereof;
FIG. 5 is a left elevational the right side being a mirror image thereof;
FIG. 6 is a top plan view thereof; and,
FIG. 7 is a bottom plan view of the present invention.

1 Claim, 2 Drawing Sheets



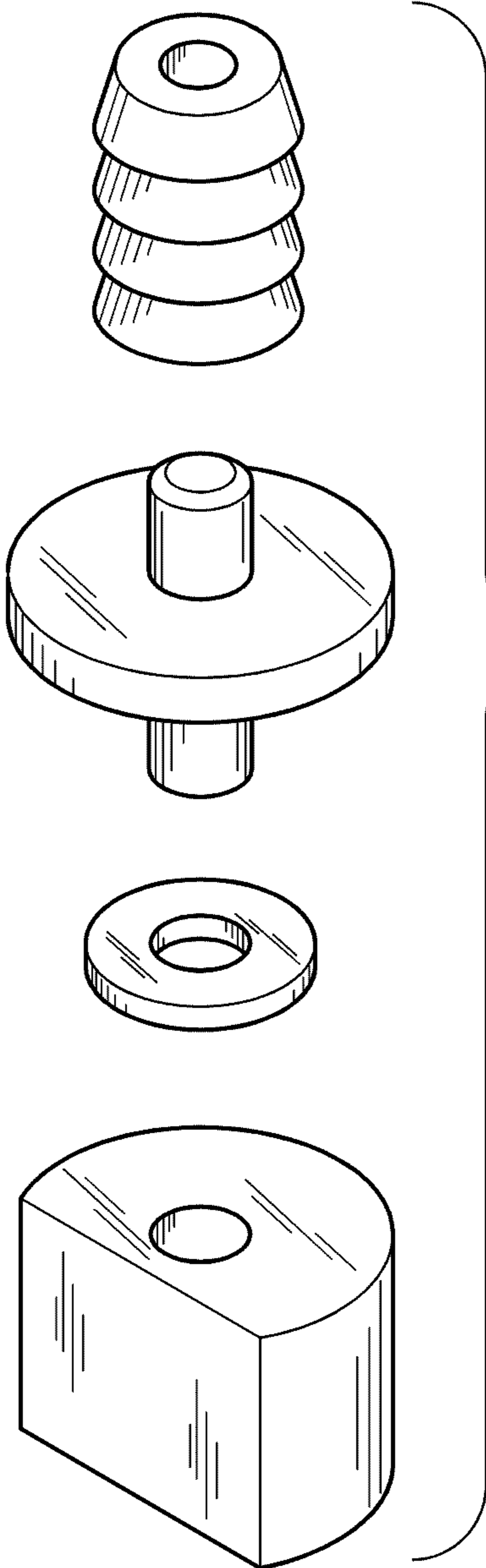


Fig. 2

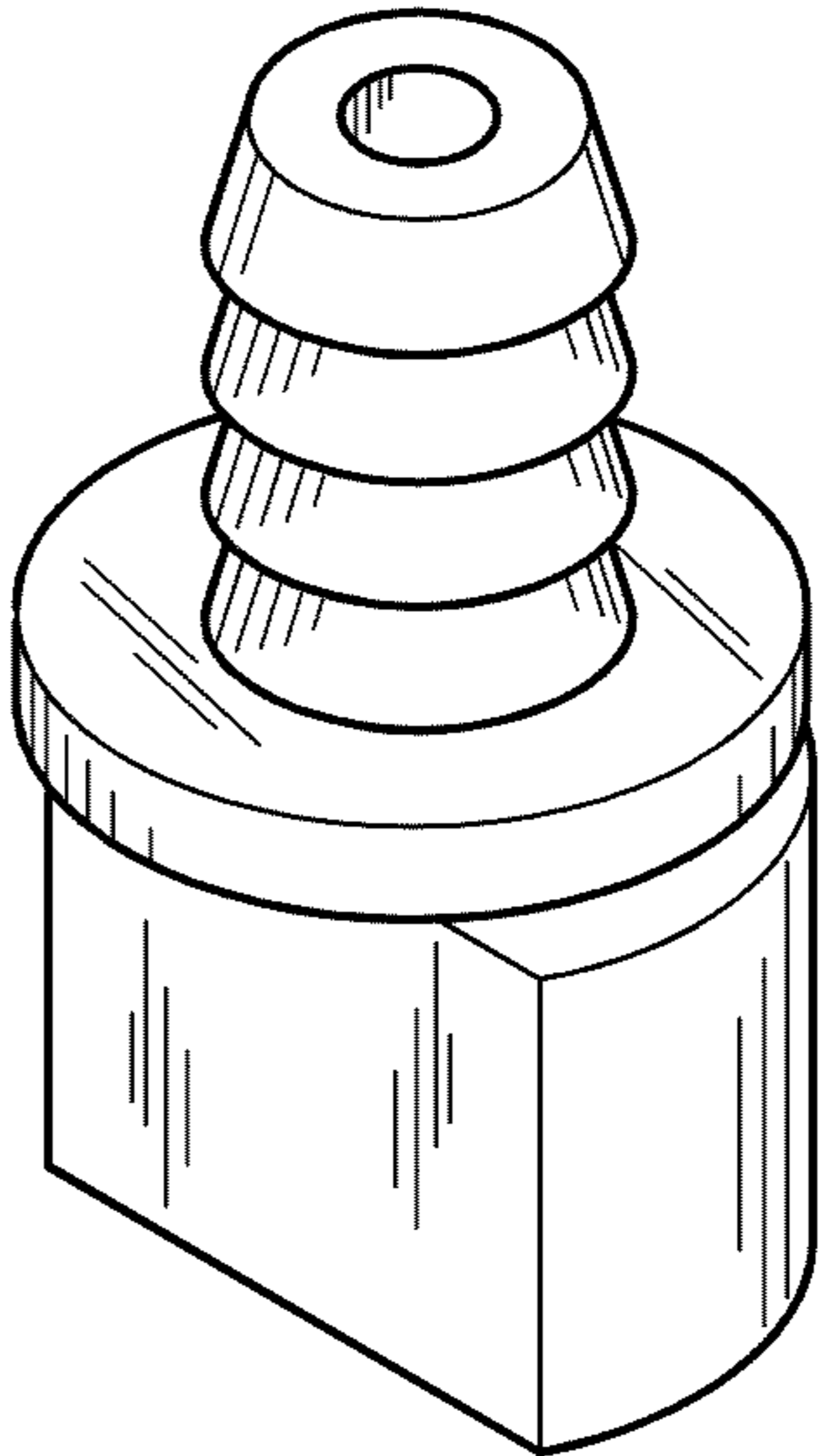


Fig. 1

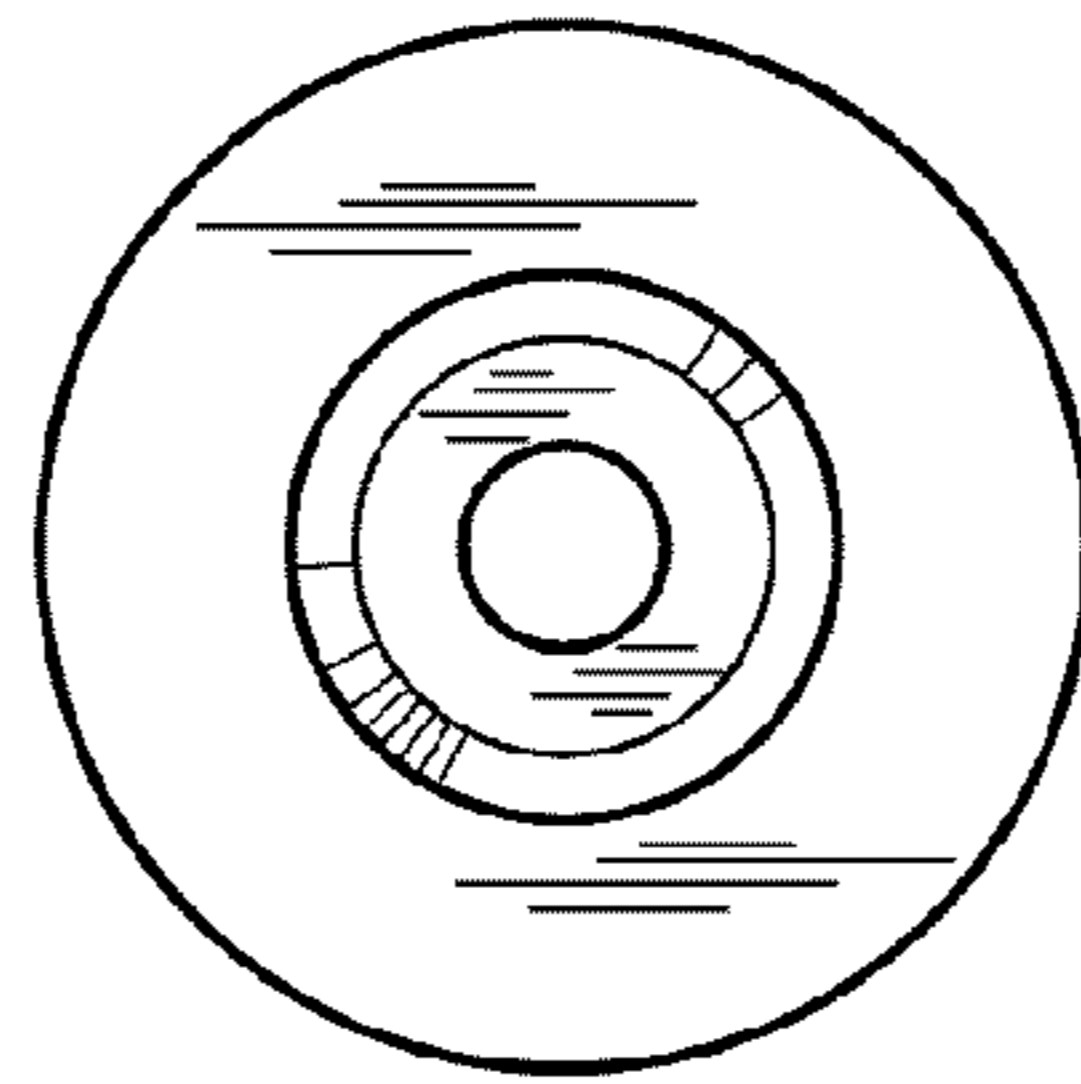


Fig. 6

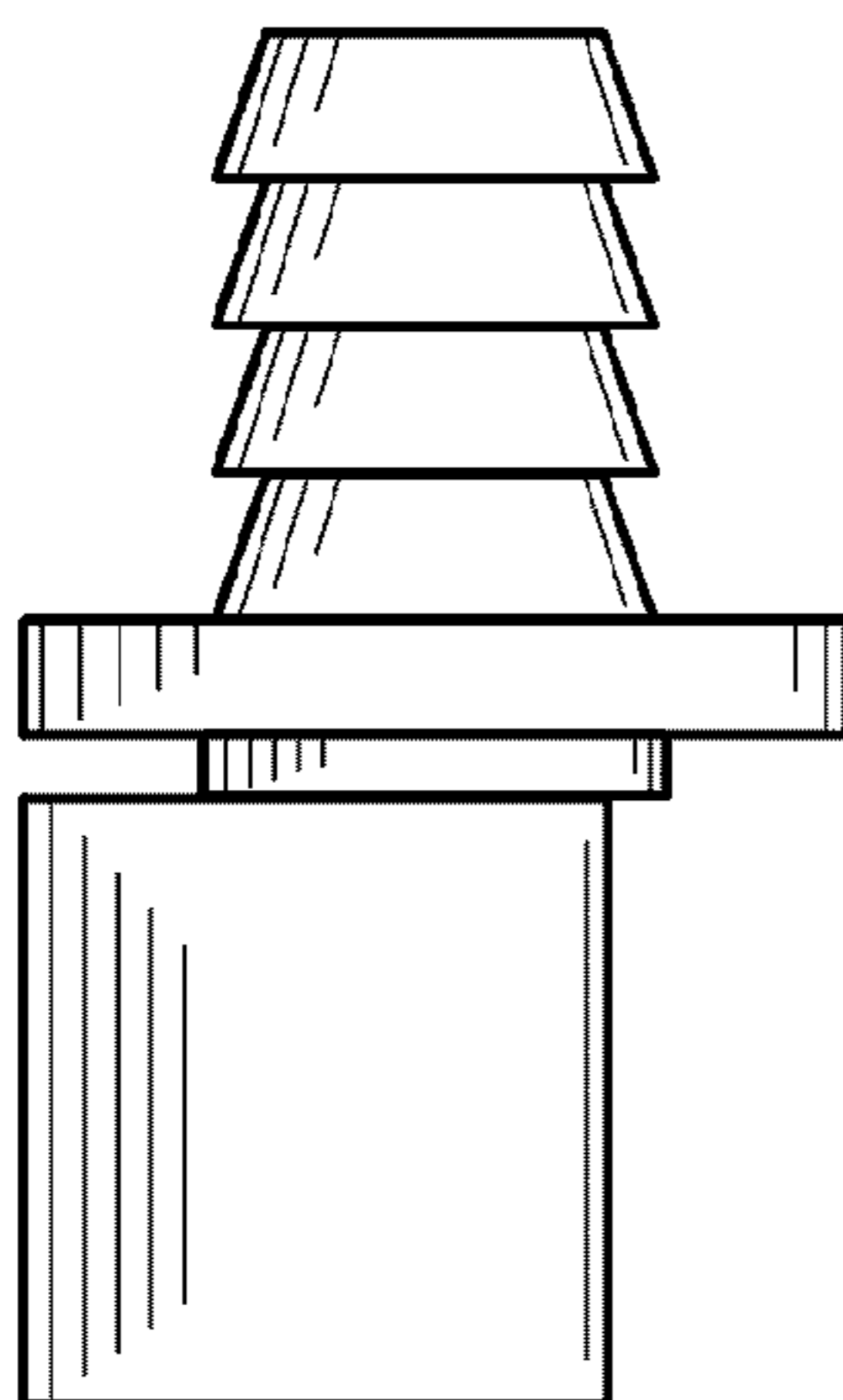


Fig. 5

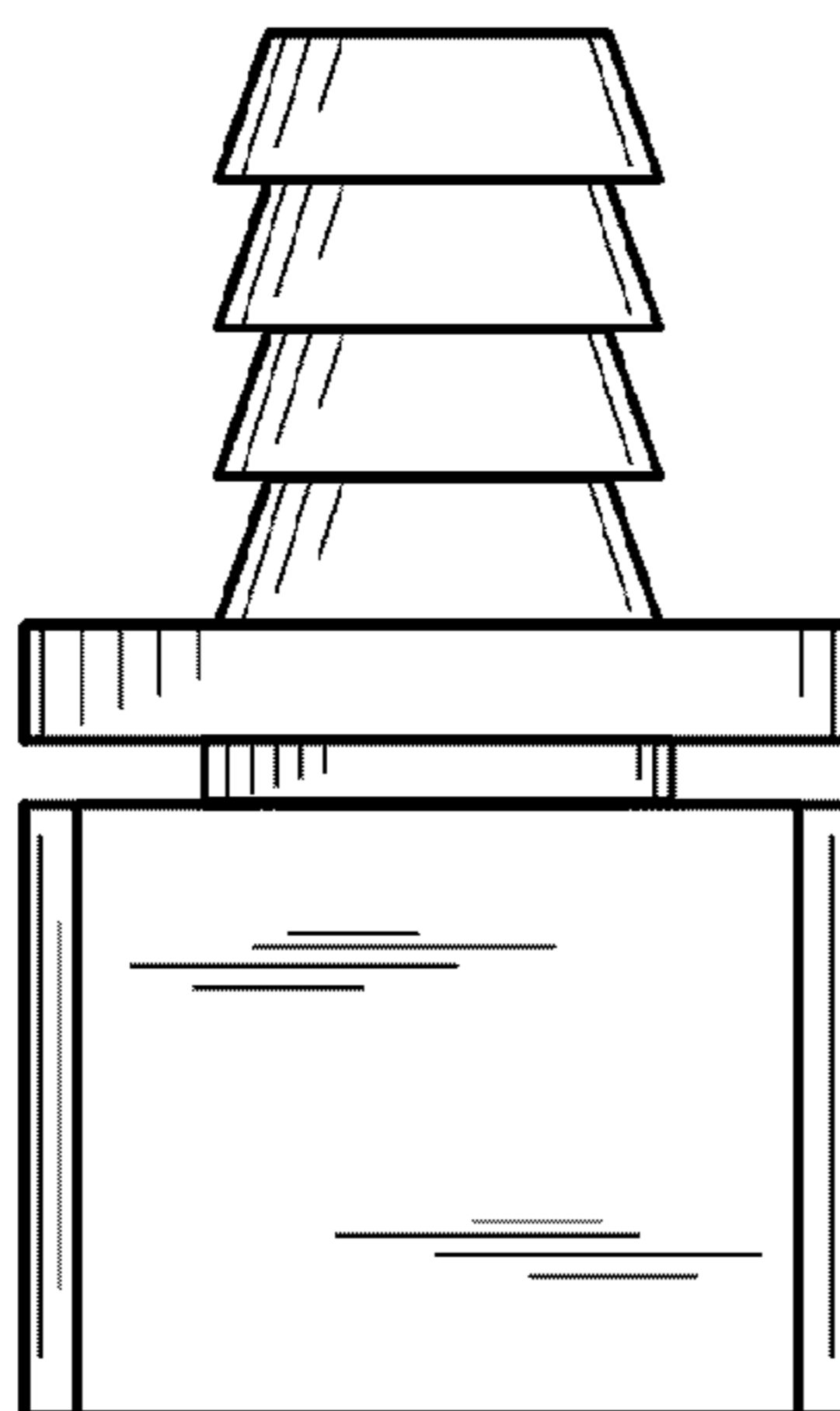


Fig. 3

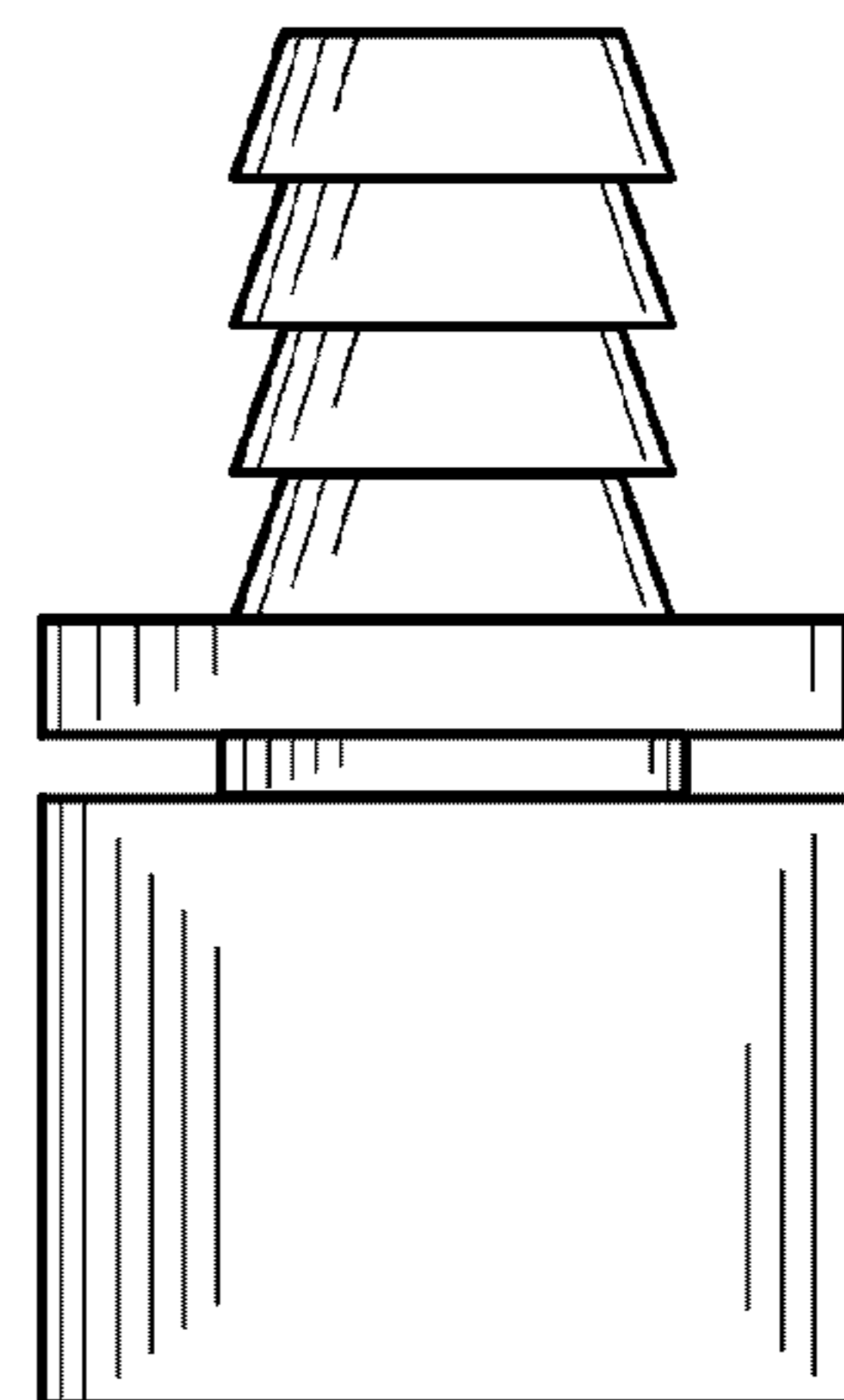


Fig. 4

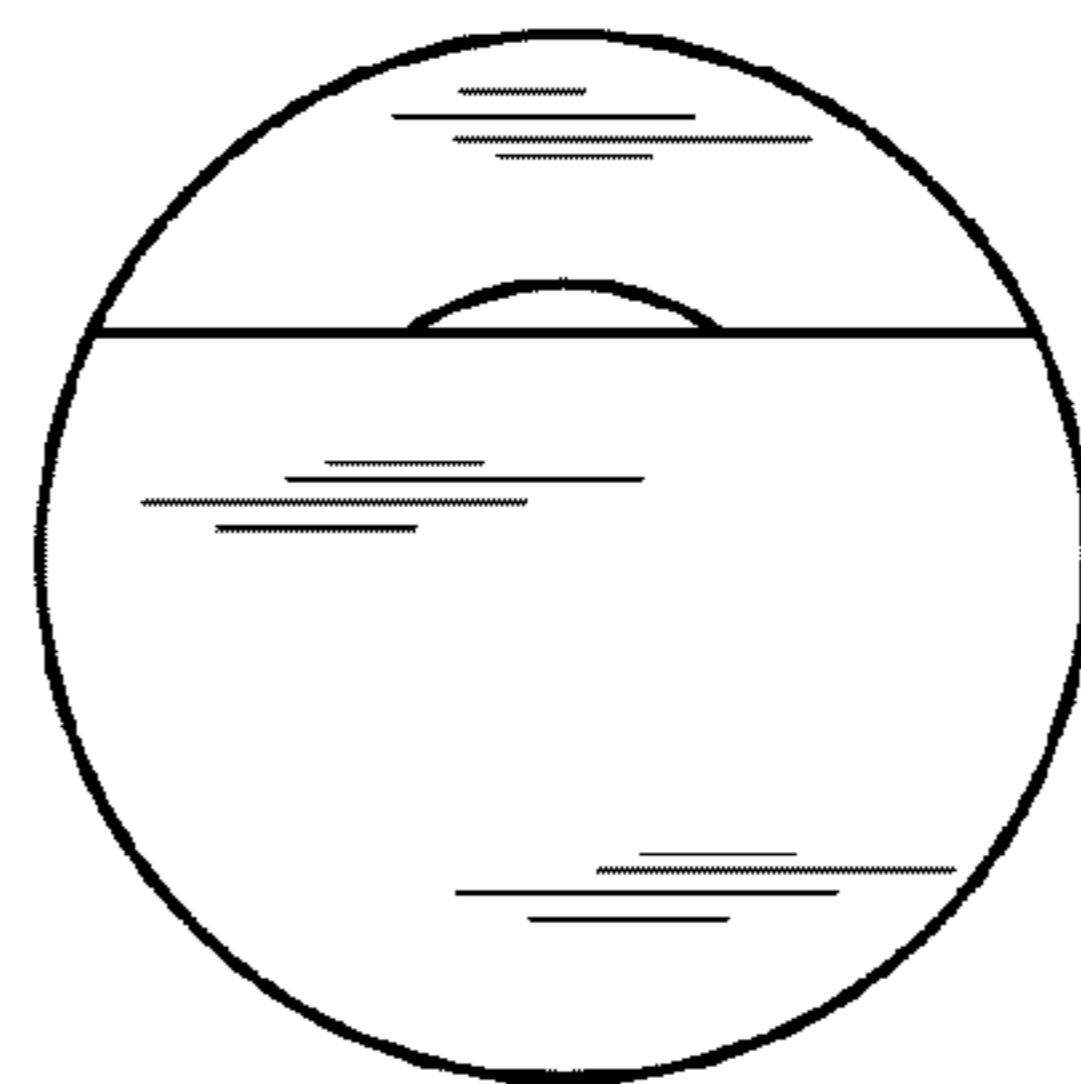


Fig. 7