



US00D705639S

(12) **United States Design Patent**
Kaishian et al.

(10) **Patent No.:** **US D705,639 S**

(45) **Date of Patent:** **** May 27, 2014**

(54) **DRAWER OR CABINET PULL**

(71) Applicants: **Steven Kaishian**, Wauwatosa, WI (US);
Pamela Anderson, Wauwatosa, WI (US)

(72) Inventors: **Steven Kaishian**, Wauwatosa, WI (US);
Pamela Anderson, Wauwatosa, WI (US)

(**) Term: **14 Years**

(21) Appl. No.: **29/453,989**

(22) Filed: **May 3, 2013**

(51) **LOC (10) CL.** **08-06**

(52) **U.S. Cl.**

CPC **B25G 1/04** (2013.01)

USPC **D8/313**; D8/300

(58) **Field of Classification Search**

CPC B25G 1/04

USPC D8/313, 300, 305, DIG. 1, DIG. 2;

D25/118, 114, 113; 16/110.1, 415,

16/412; 292/336.3, 347, DIG. 68

See application file for complete search history.

(56) **References Cited**

U.S. PATENT DOCUMENTS

392,277	A	*	11/1888	Loy	404/40
D30,321	S	*	3/1899	Smith	D8/71
2,680,642	A	*	6/1954	Koeber et al.	292/347
2,793,386	A	*	5/1957	Muhlhauser	16/416
D192,787	S	*	5/1962	Dyer	D8/313
3,046,776	A	*	7/1962	Marotto et al.	70/97
4,744,126	A	*	5/1988	Bisbing	16/443
4,756,695	A	*	7/1988	Lane et al.	439/76.1

D303,620	S	9/1989	Russell	
5,074,009	A	12/1991	Simonton	
D360,350	S	7/1995	House	
D386,962	S	12/1997	Greener	
D390,086	S	2/1998	Weinerman	
D411,092	S	6/1999	Heithe	
D458,528	S	6/2002	Simon	
D464,863	S	* 10/2002	Teskey D8/306
D559,652	S	* 1/2008	Brimacombe et al. D8/305
D581,767	S	* 12/2008	Thompson D8/313
D583,220	S	12/2008	Ni	
D585,722	S	2/2009	Stuckey	
D675,828	S	2/2013	Hank	

* cited by examiner

Primary Examiner — Paula Greene

(74) *Attorney, Agent, or Firm* — QuickPatents; Kevin Prince

(57) **CLAIM**

We claim the ornamental design for a drawer or cabinet pull, as shown and described.

DESCRIPTION

FIG. 1 is a perspective view of a drawer or cabinet pull, showing our new design;

FIG. 2 is a front elevational view thereof;

FIG. 3 is a rear elevational view thereof;

FIG. 4 is a left-side elevational view thereof;

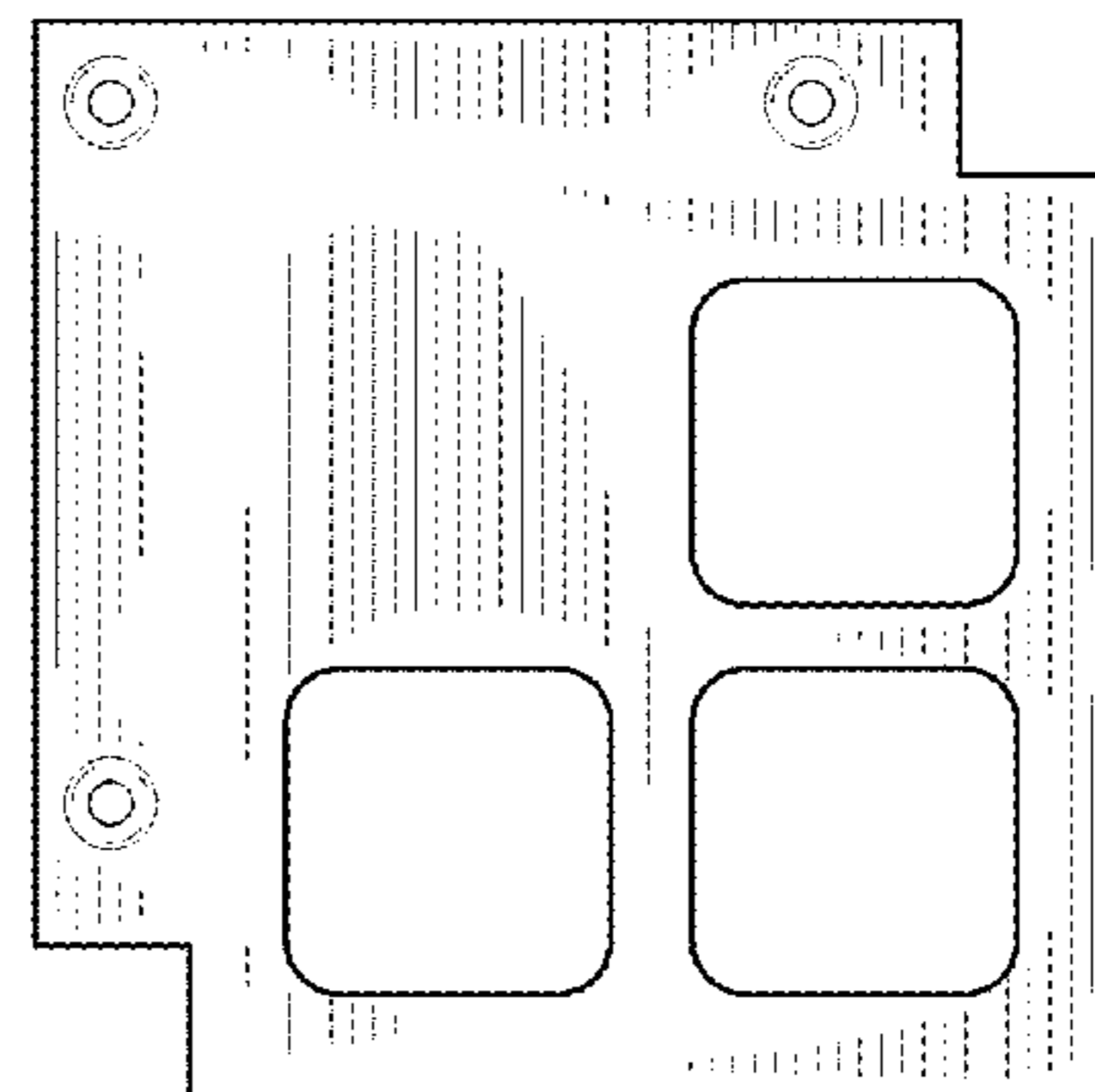
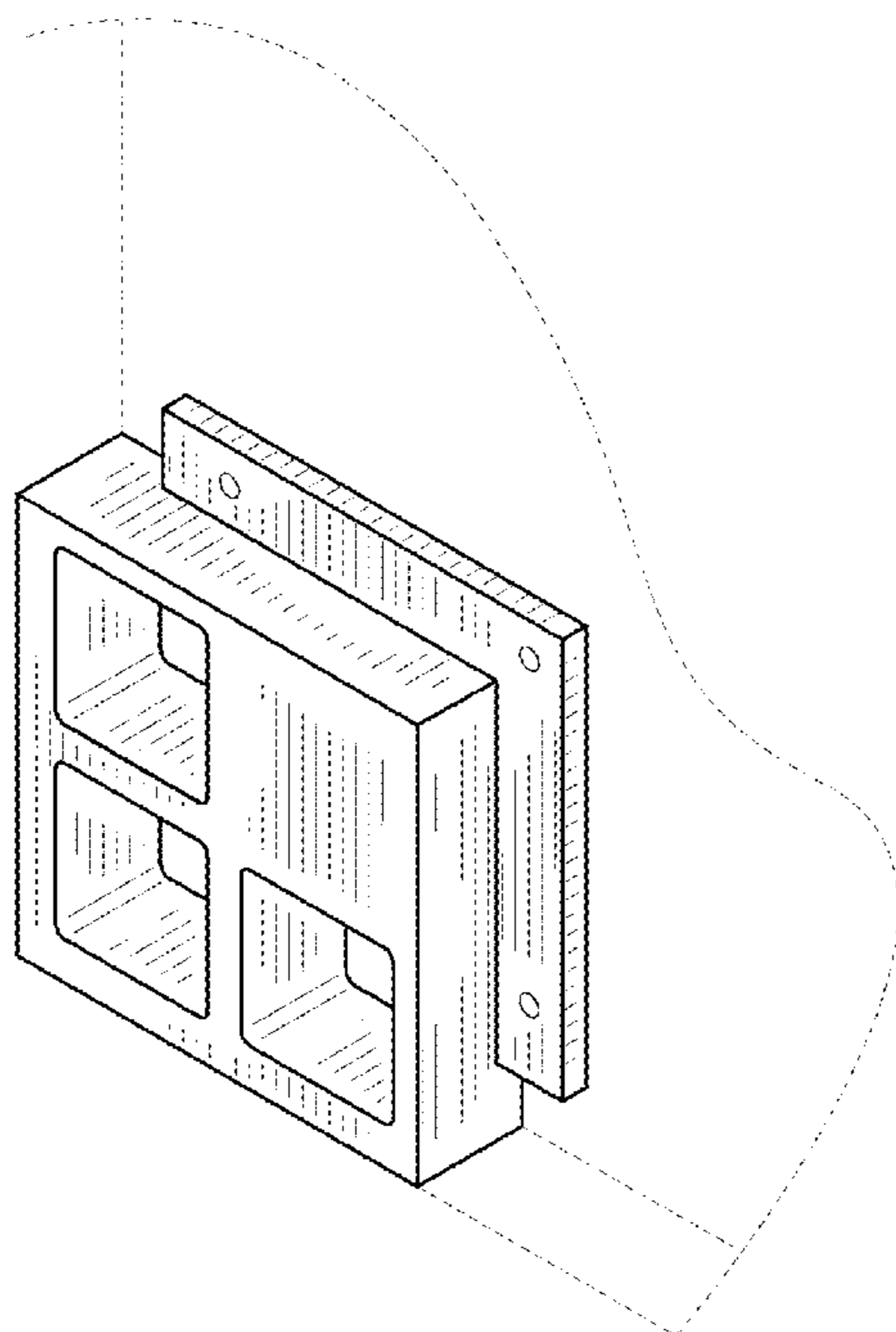
FIG. 5 is a right-side elevational view thereof;

FIG. 6 is a top plan view thereof; and,

FIG. 7 is a bottom plan view thereof.

The broken lines showing a cabinet door in FIG. 1 depict environmental matter and form no part of the claimed design.

1 Claim, 2 Drawing Sheets



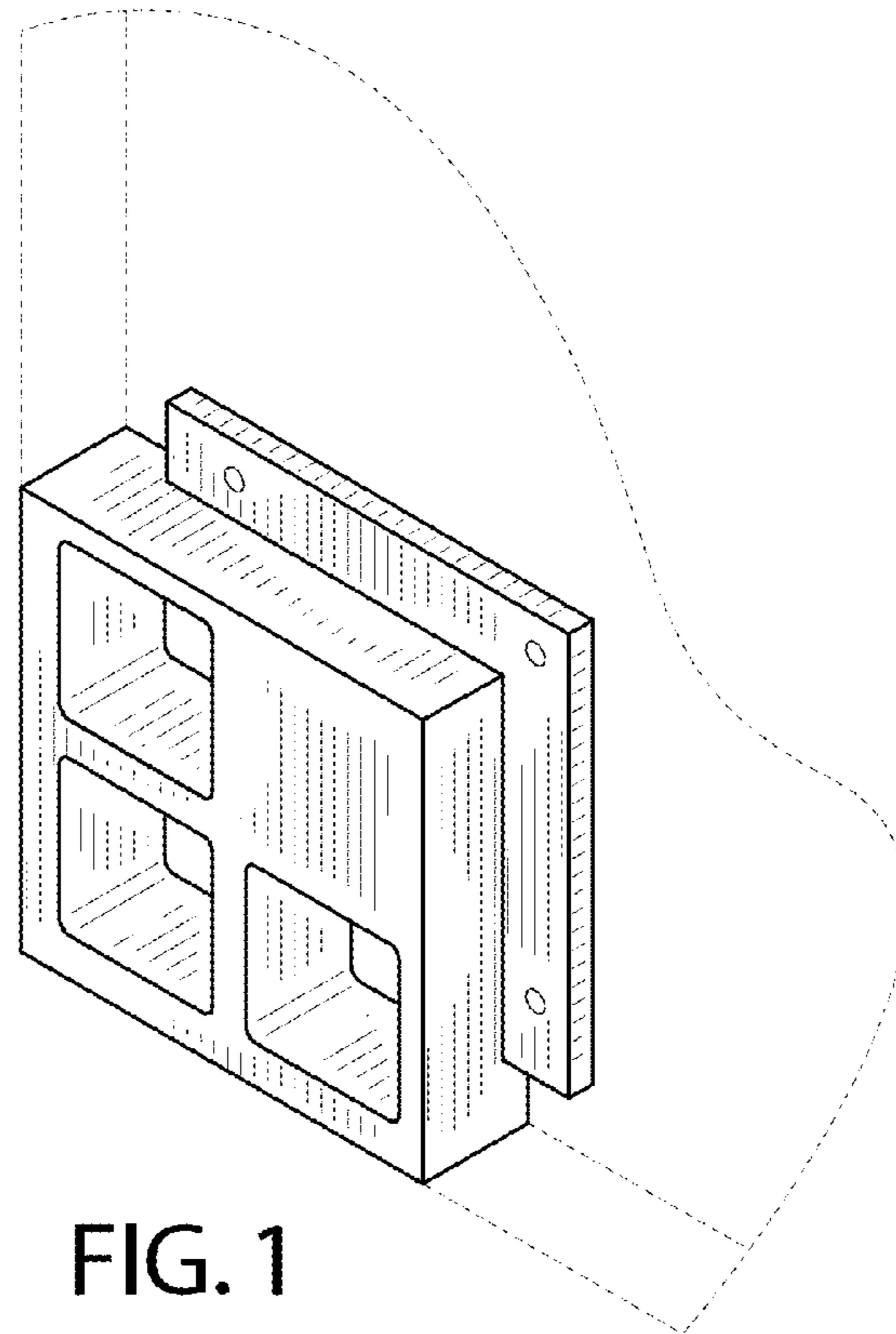


FIG. 1

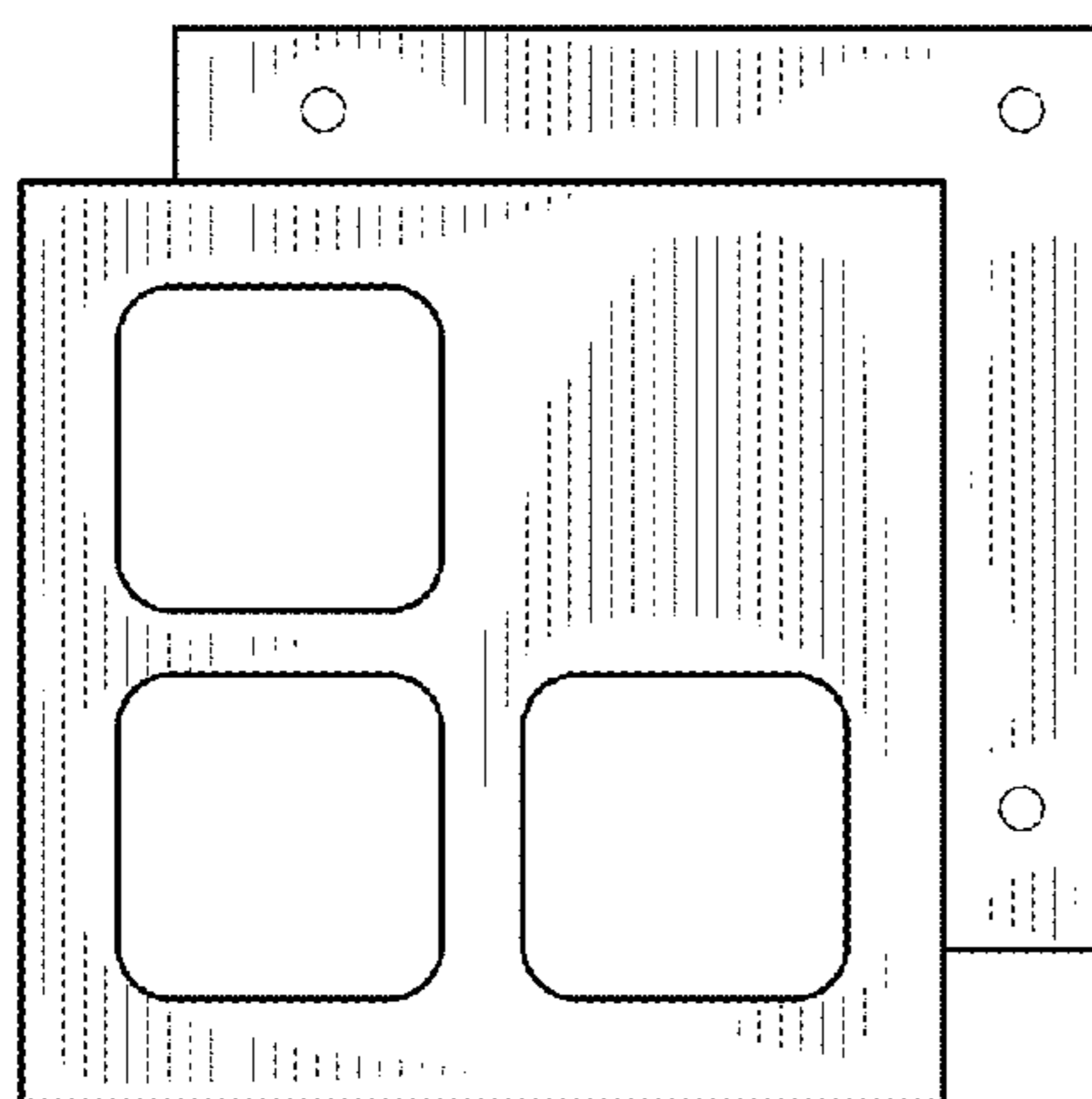


FIG. 2

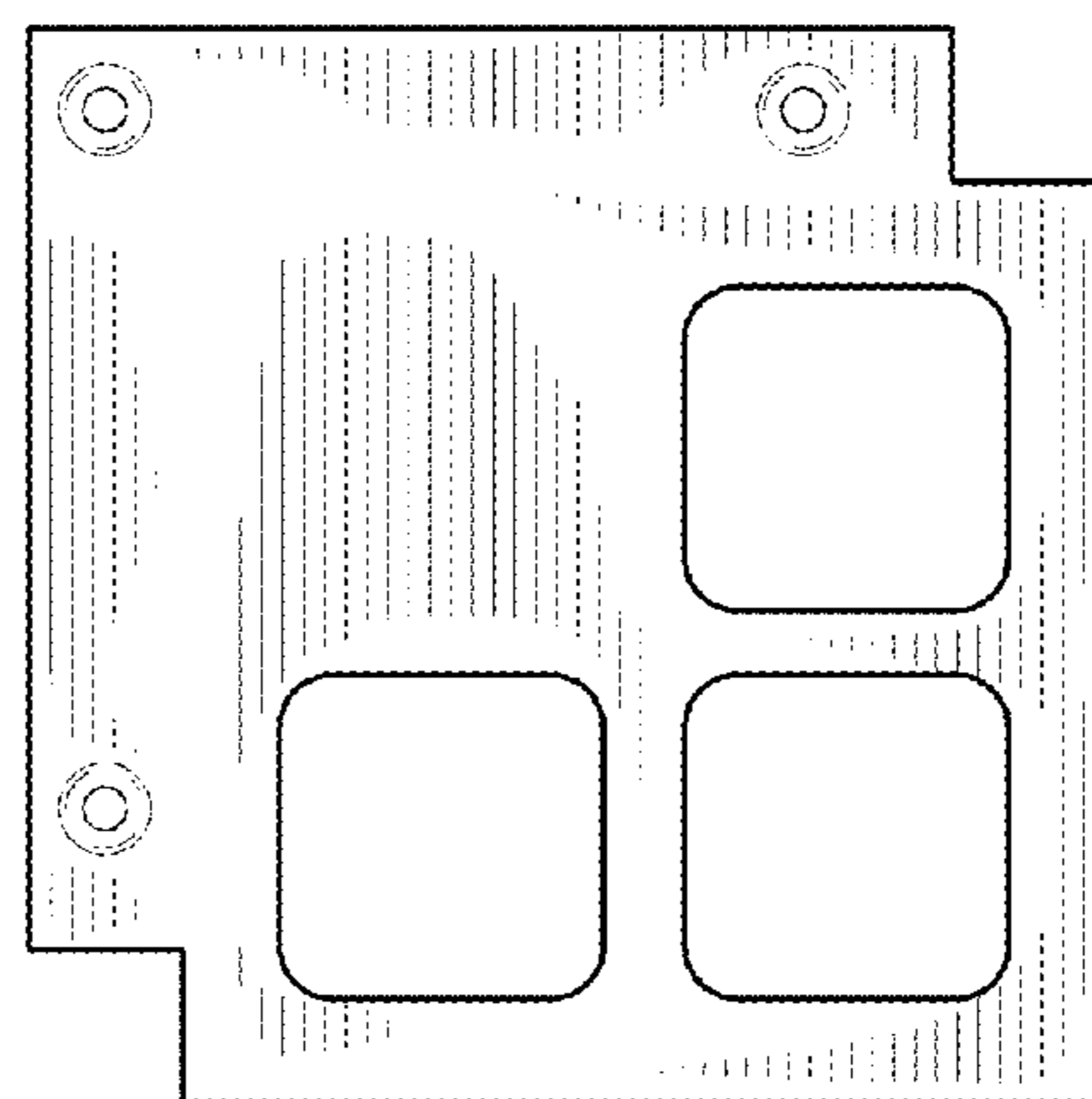


FIG. 3

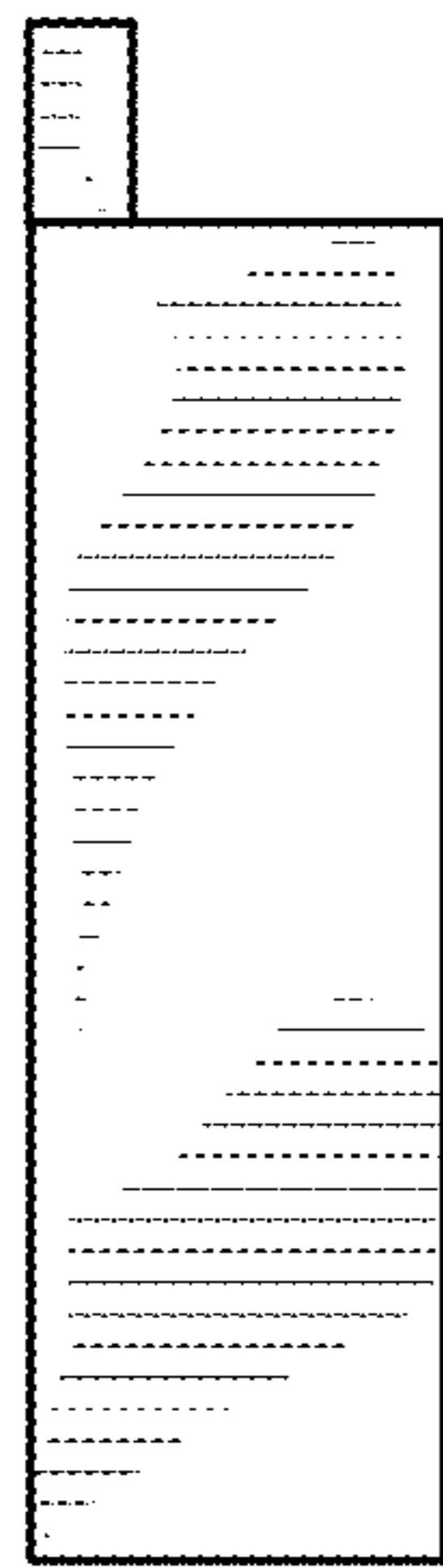


FIG. 4

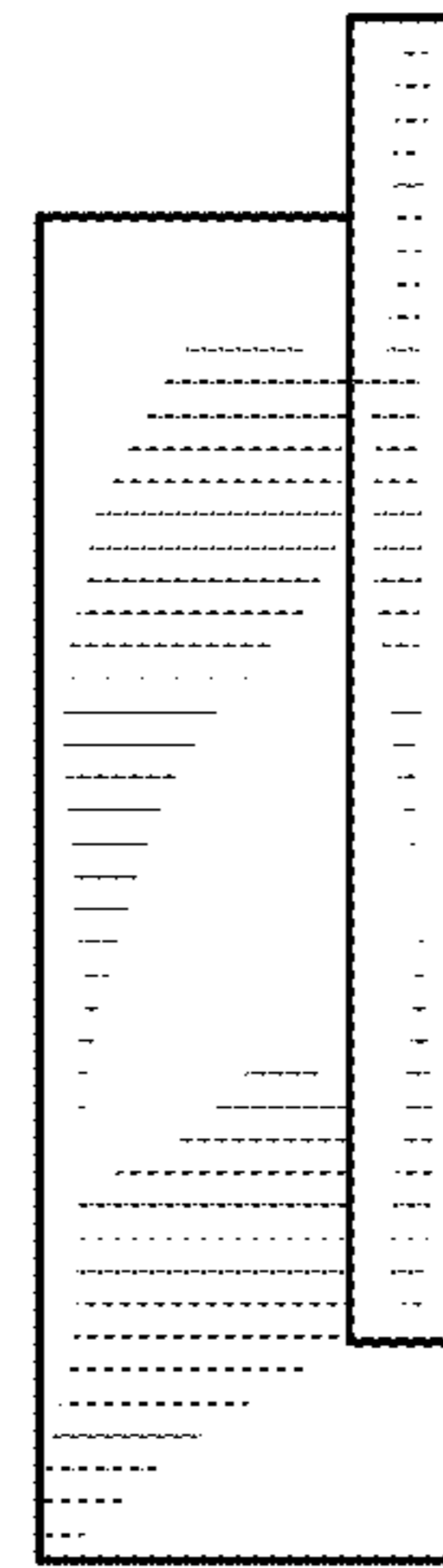


FIG. 5

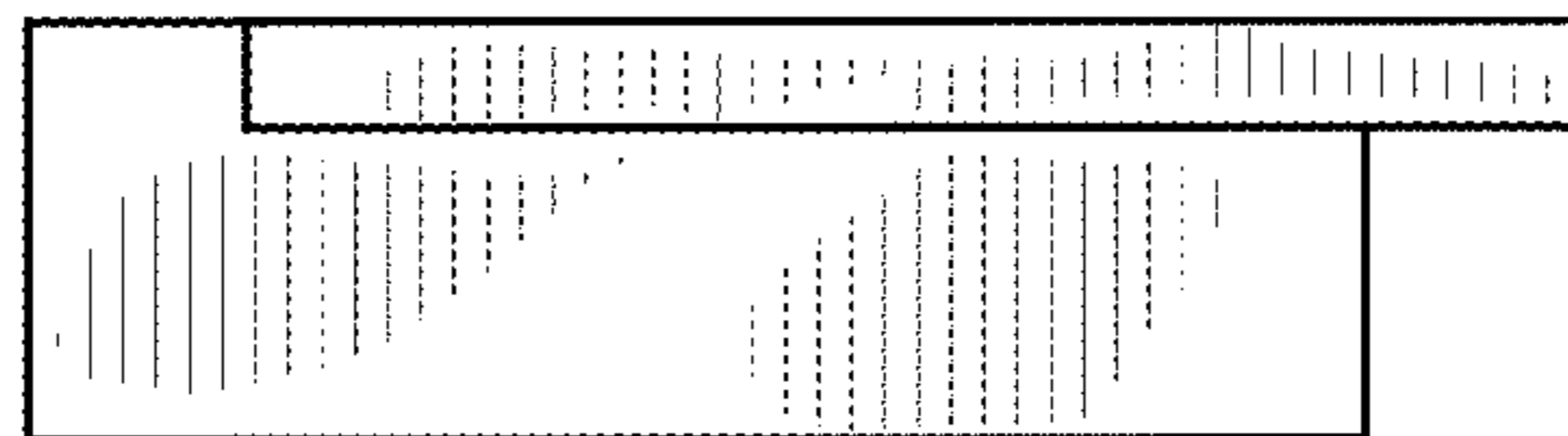


FIG. 6

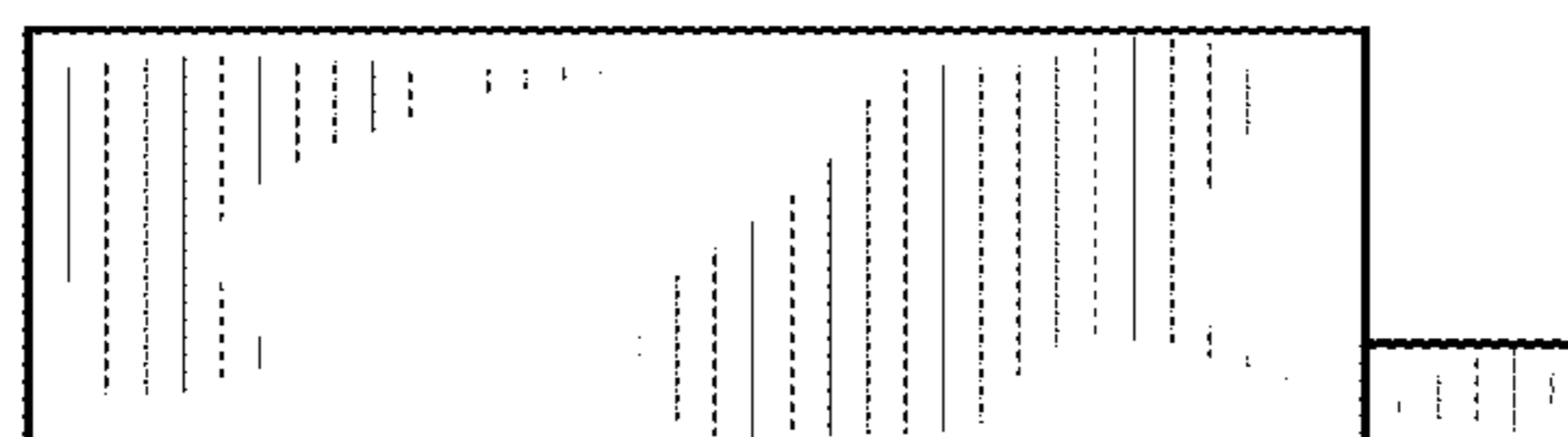


FIG. 7