



US00D705637S

(12) **United States Design Patent**  
**Salles**

(10) **Patent No.:** **US D705,637 S**

(45) **Date of Patent:** **\*\* May 27, 2014**

(54) **MULTI-PURPOSE TOOL FOR MIXOLOGISTS**

(71) Applicant: **Joshua Salles**, Larchmont, NY (US)

(72) Inventor: **Joshua Salles**, Larchmont, NY (US)

(73) Assignee: **Joshua Salles**, Larchmont, NY (US)

(\*\*) Term: **14 Years**

(21) Appl. No.: **29/433,690**

(22) Filed: **Oct. 3, 2012**

(51) **LOC (10) Cl.** ..... **08-05**

(52) **U.S. Cl.**  
USPC ..... **D8/105**

(58) **Field of Classification Search**

USPC ..... D8/14, 16, 18, 19, 20, 22-29, 33, 34,  
D8/38-43, 51, 52, 55, 57, 75, 81-87, 98,  
D8/104-106, 354, 356, 358, 360.1;  
7/151-166; 30/151, 359, 366; D3/24,  
D3/25, 207-208, 210, 228; D10/46.2, 62;  
362/119; 206/38, 232, 234; 81/3.09,  
81/437, 440; D7/368, 665, 669  
See application file for complete search history.

(56) **References Cited**

**U.S. PATENT DOCUMENTS**

D406,997 S 3/1999 Robbins  
6,142,769 A \* 11/2000 Walker ..... 431/253  
D436,014 S 1/2001 Glesser  
D448,267 S \* 9/2001 Jean et al. .... D8/105  
D469,677 S \* 2/2003 Hung ..... D8/105  
6,957,599 B2 \* 10/2005 Corredor et al. .... 81/3.09  
D555,455 S 11/2007 Cheng

D565,918 S 4/2008 Onion  
D568,710 S 5/2008 Klecker et al.  
D593,838 S 6/2009 Williams  
D596,911 S 7/2009 Carpenter et al.  
D633,772 S 3/2011 Behler  
D640,101 S \* 6/2011 Clark et al. .... D7/601  
8,631,722 B1 \* 1/2014 Davis ..... 81/3.09  
2011/0072594 A1 \* 3/2011 Danias-Borkin ..... 7/155  
2013/0160213 A1 \* 6/2013 Salles ..... 7/119

\* cited by examiner

*Primary Examiner* — Susan Bennett Hattan

*Assistant Examiner* — Janice Hallmark

(74) *Attorney, Agent, or Firm* — Edell, Shapiro & Finnan, LLC

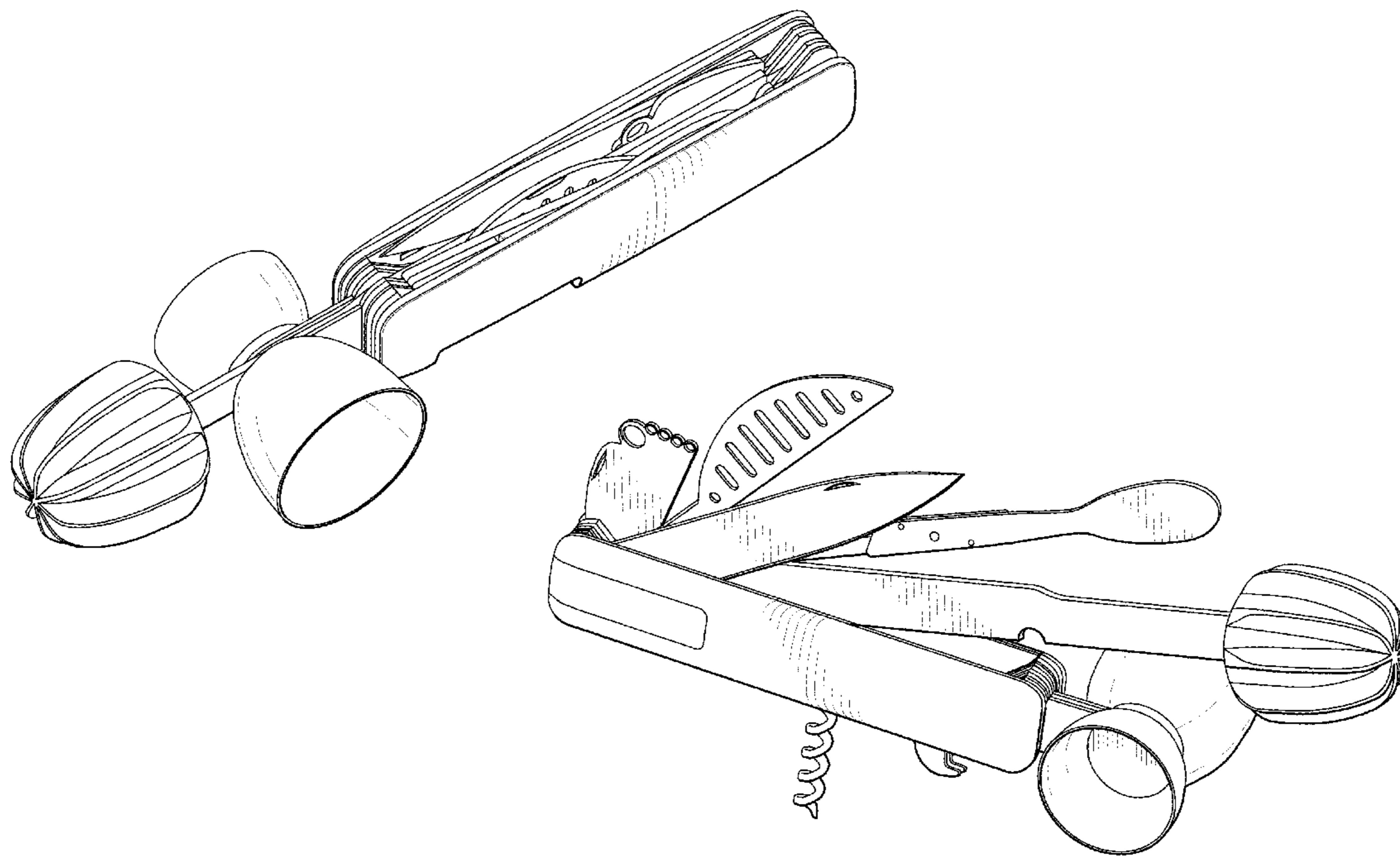
(57) **CLAIM**

The ornamental design for a multi-purpose tool for mixologists, as shown and described.

**DESCRIPTION**

FIG. 1 is a top view in perspective showing my design with all tool components in the fully closed position; FIG. 2 is a rear view in elevation thereof; FIG. 3 is front view in elevation thereof; FIG. 4 is a top view in plan thereof; FIG. 5 is a bottom view in plan thereof; FIG. 6 is a left side view in elevation thereof; FIG. 7 is a right side view in elevation thereof; and, FIG. 8 is a top view in perspective showing my design with all tool components in the partially open position.

**1 Claim, 5 Drawing Sheets**



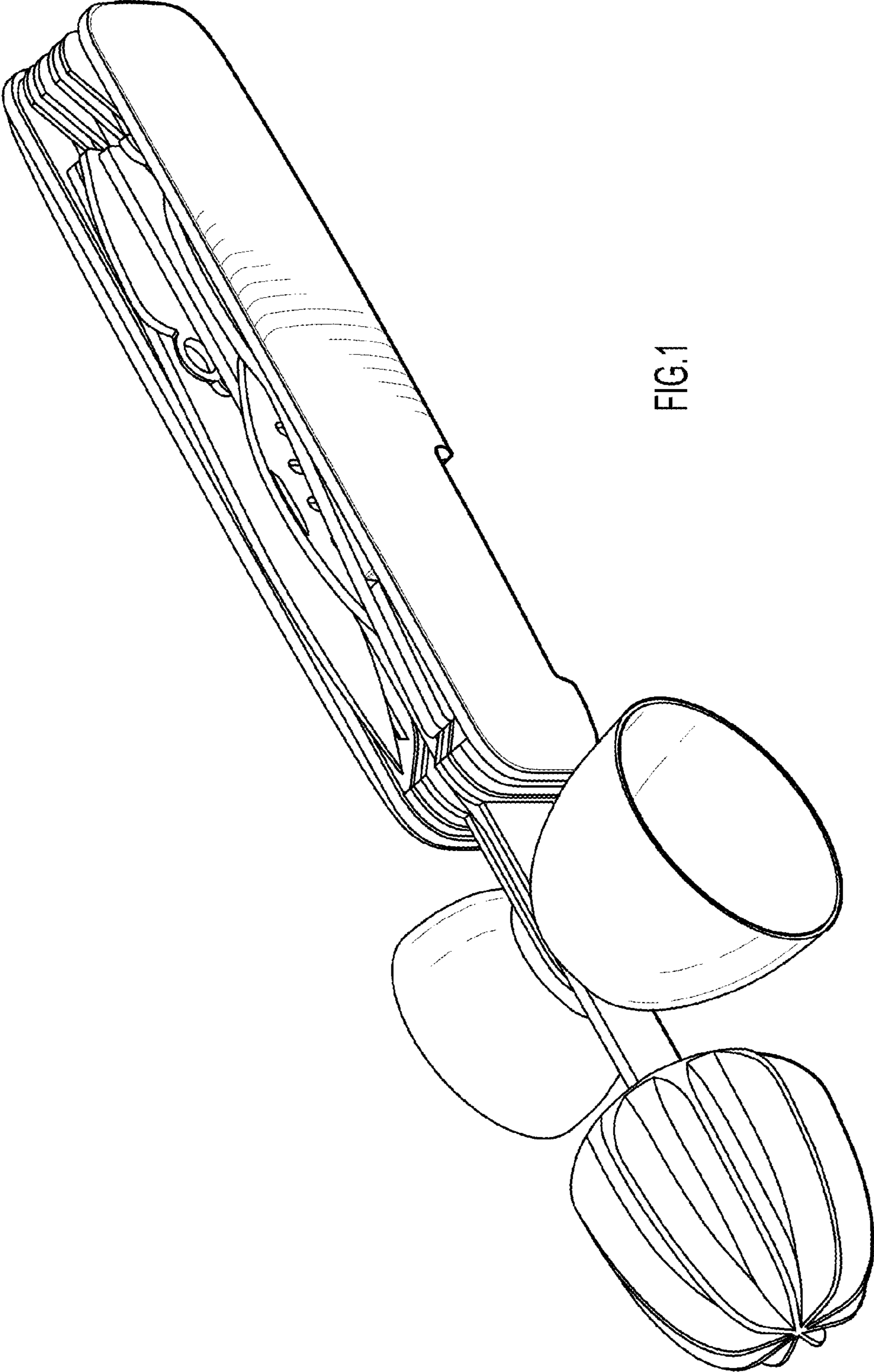


FIG.1

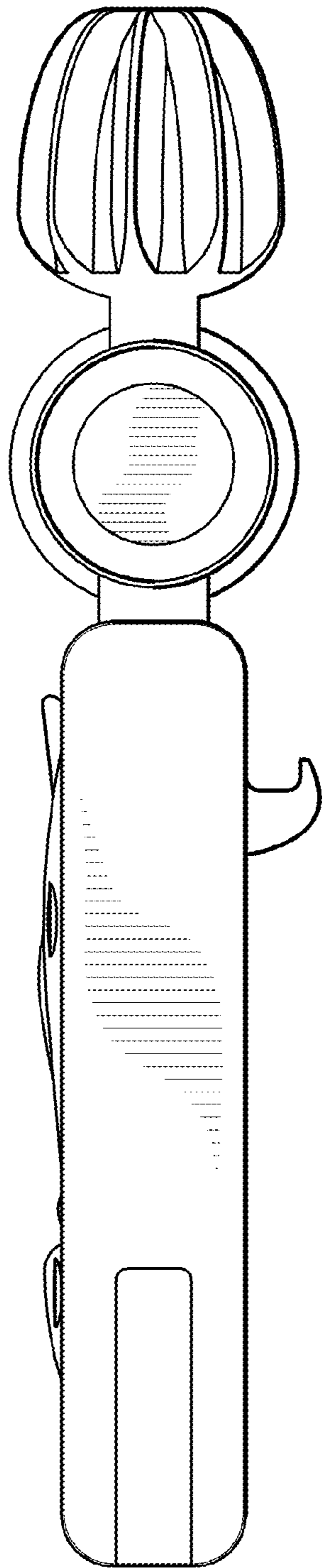


FIG. 2

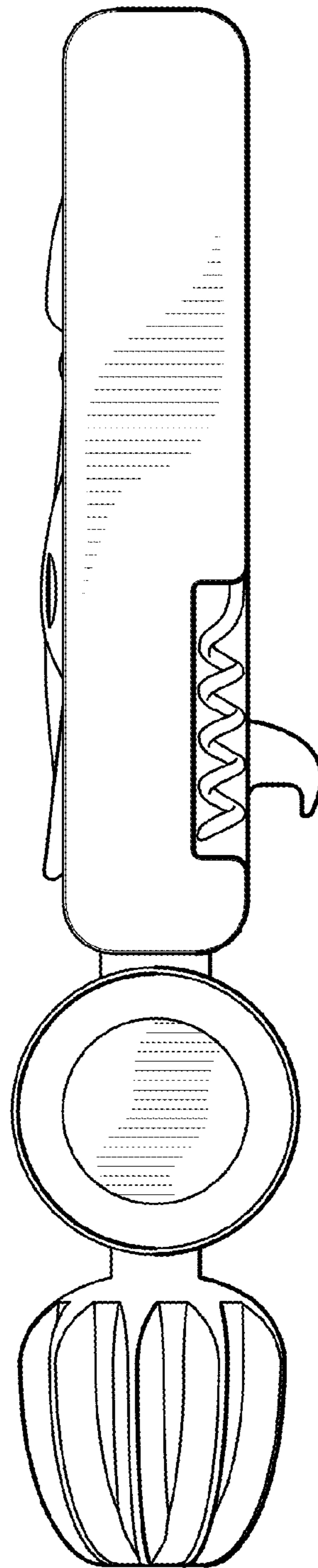


FIG. 3

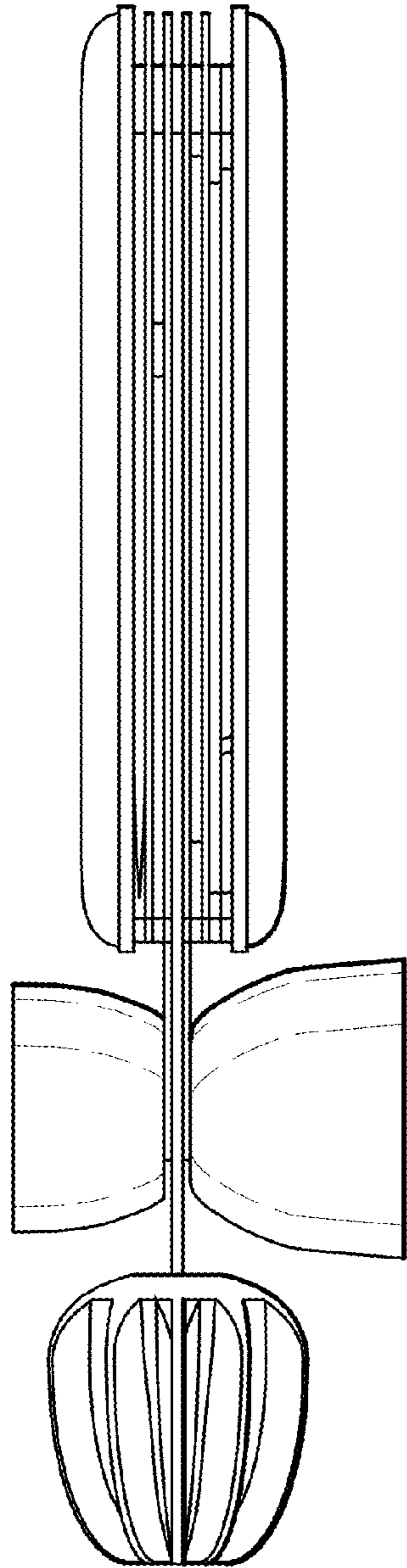


FIG.4

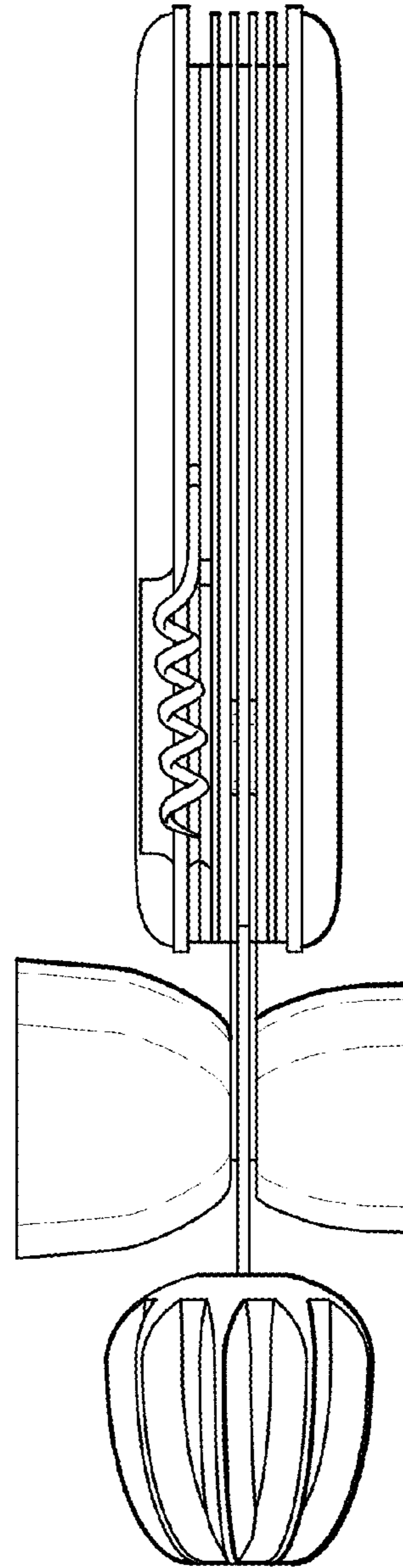


FIG.5

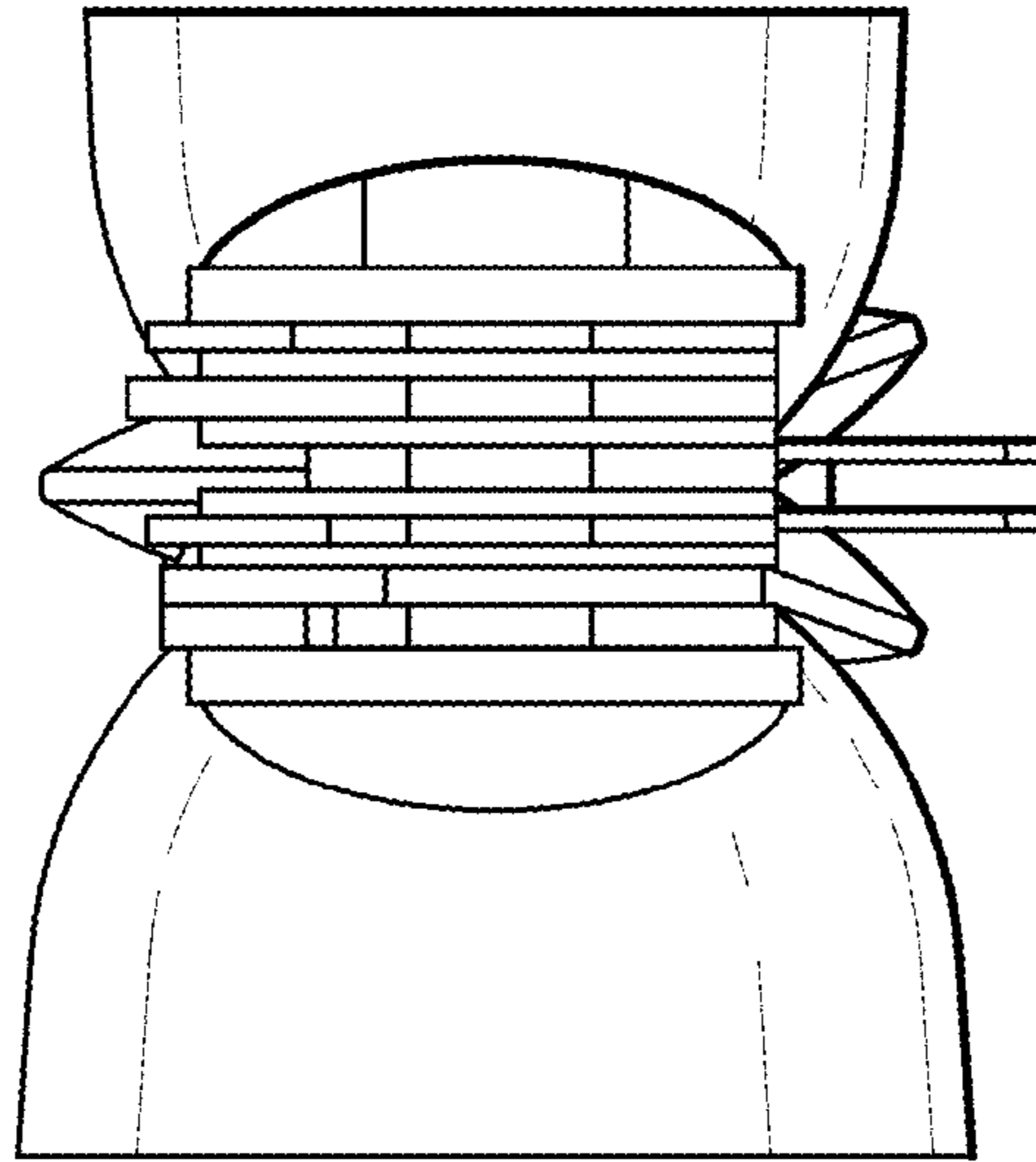


FIG.7

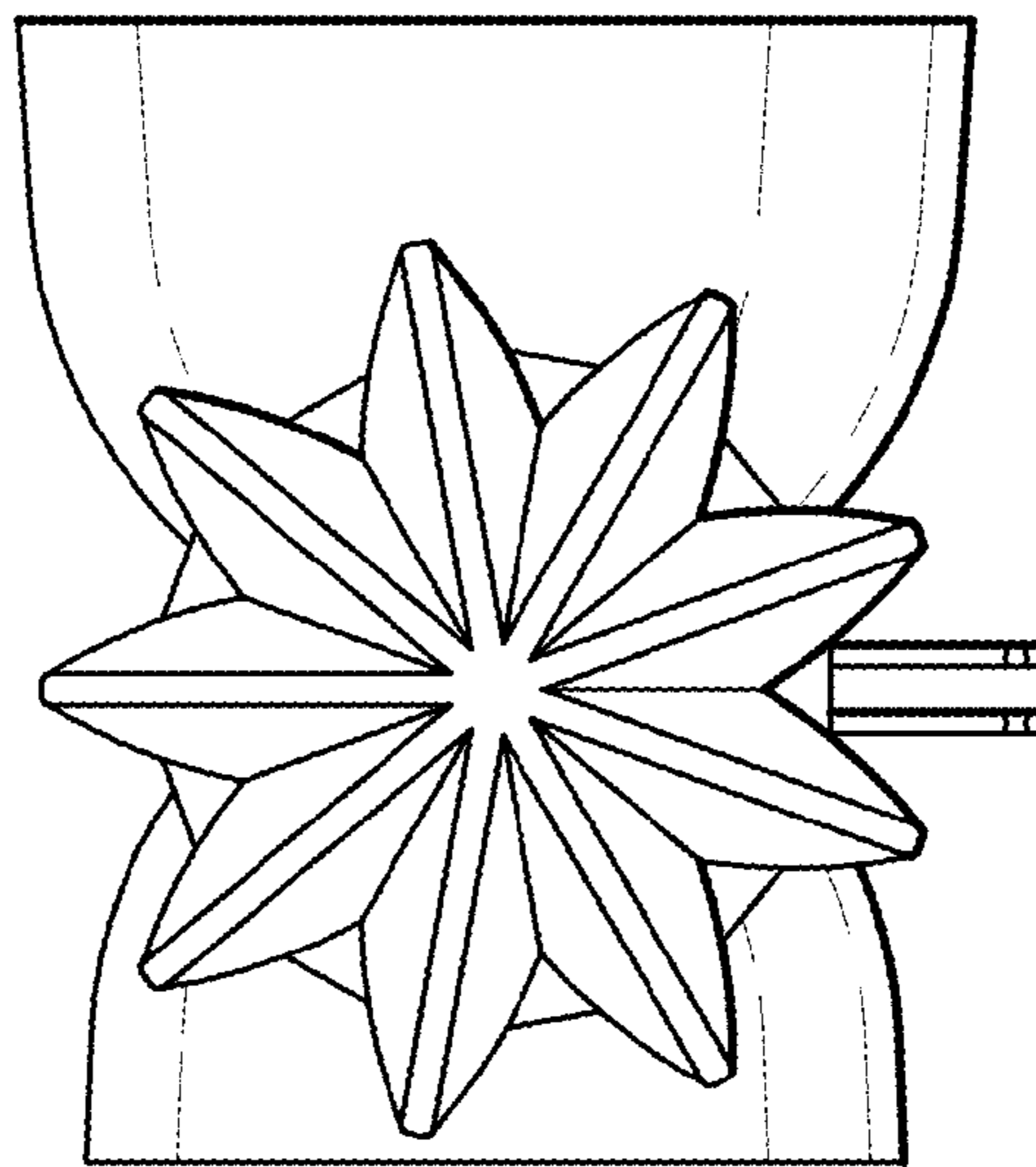


FIG.6

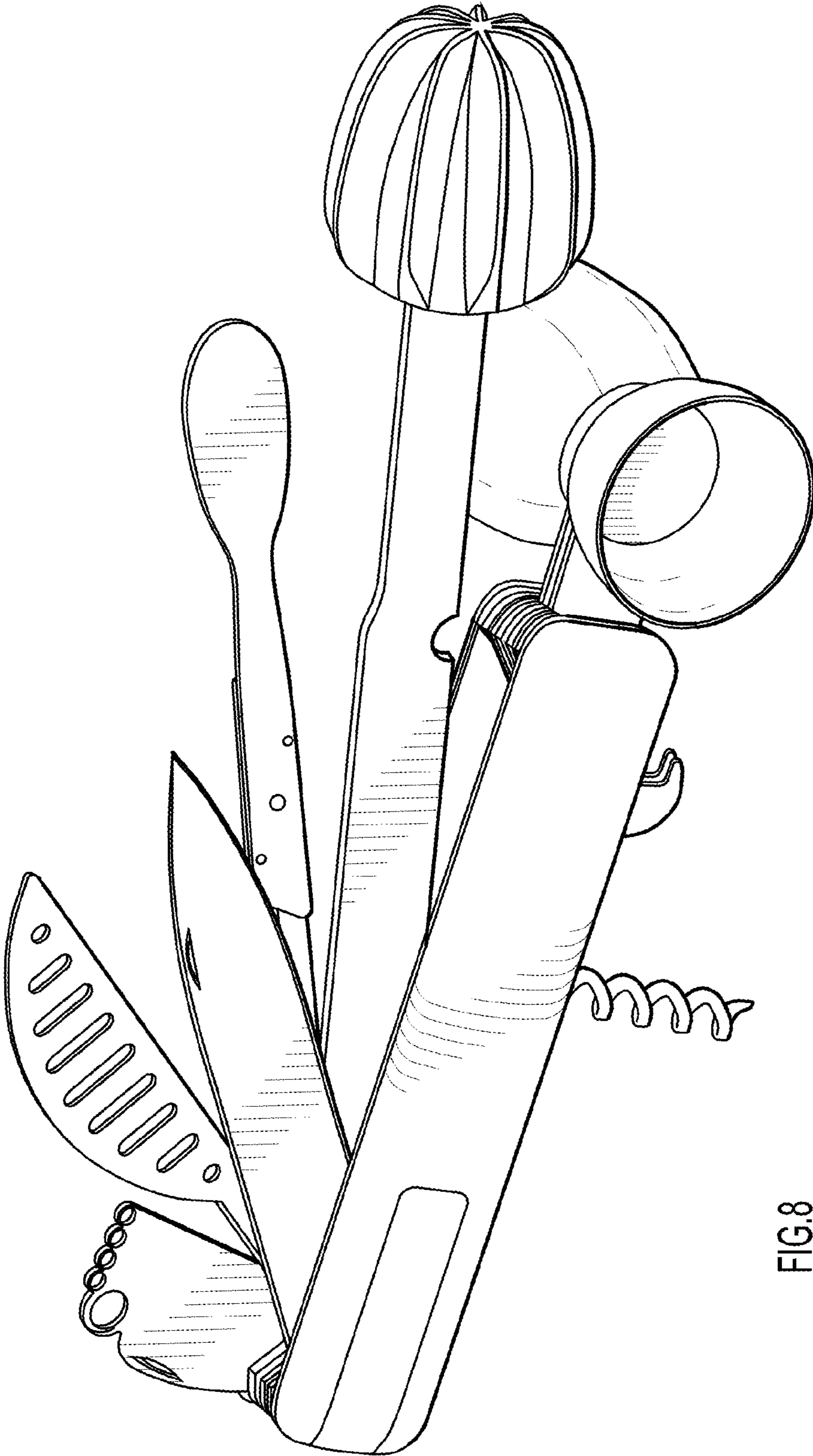


FIG. 8