



US00D705636S

(12) **United States Design Patent**
Rubin et al.

(10) **Patent No.:** **US D705,636 S**
(45) **Date of Patent:** **** May 27, 2014**

(54) **MINIATURE RATCHET TOOL**

(75) Inventors: **Bennett S. Rubin**, Pepper Pike, OH (US); **Richard C. Adamany**, Chagrin Falls, OH (US)

(73) Assignee: **Interdesign, Inc.**, Solon, OH (US)

(**) Term: **14 Years**

(21) Appl. No.: **29/417,797**

(22) Filed: **Apr. 9, 2012**

(51) **LOC (10) CL.** **08-04**

(52) **U.S. CL.**

USPC **D8/85**; D8/87

(58) **Field of Classification Search**

USPC D3/210; D8/82-87, 98-99, 105, 107;
7/165, 167, 169; 81/177.1-177.7, 436,
81/438, 489; 362/120

See application file for complete search history.

(56) **References Cited**

U.S. PATENT DOCUMENTS

4,836,066	A *	6/1989	Graham et al.	81/177.4
D336,415	S *	6/1993	Cheng	D8/105
5,454,746	A *	10/1995	Guegan et al.	446/72
5,515,249	A *	5/1996	Shiao	362/119
D373,061	S *	8/1996	Macor	D8/85
5,669,492	A *	9/1997	Chao	206/234
D475,481	S *	6/2003	Xu	D27/142
7,032,483	B2 *	4/2006	Liu	81/490
D564,387	S *	3/2008	Rubin et al.	D10/104.1
D592,930	S *	5/2009	Cai	D8/87

D603,239	S *	11/2009	Kunzendorf	D8/105
D645,722	S *	9/2011	Yamaguchi	D8/105
D657,650	S *	4/2012	Rubin et al.	D8/105
2007/0251355	A1 *	11/2007	Kao	81/177.4

* cited by examiner

Primary Examiner — Philip S Hyder
Assistant Examiner — Roselynn Cody

(74) *Attorney, Agent, or Firm* — D. Peter Hochberg; Sean F. Mellino; Richard A. Wolf

(57) **CLAIM**

The ornamental design for a miniature ratchet tool, as shown and described.

DESCRIPTION

FIG. 1 is a perspective top, front, right end view of the miniature ratchet tool;

FIG. 2 is a perspective bottom, front, left end view thereof;

FIG. 3 is a top plan view thereof;

FIG. 4 is a bottom plan view thereof;

FIG. 5 is a rear view thereof;

FIG. 6 is a front view thereof;

FIG. 7 is a right end view thereof;

FIG. 8 is a left end view thereof;

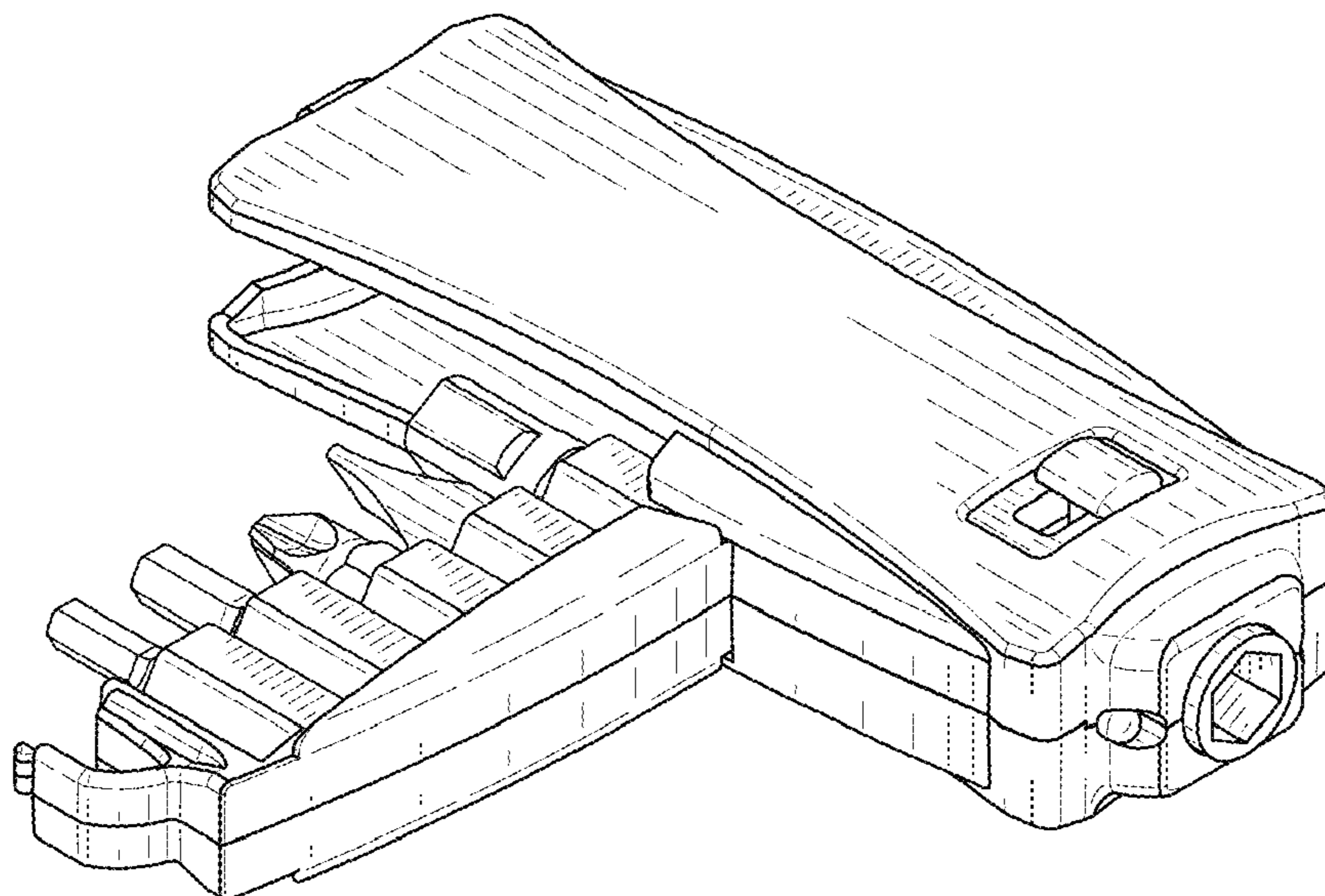
FIG. 9 is a perspective top, front, right end view of the miniature ratchet tool with a component holding drawer in a fully open position;

FIG. 10 is a perspective bottom, front, left end view thereof; and,

FIG. 11 is a top plan view thereof.

The broken lines in FIGS. 2, 4-6, and 10 illustrate features of the miniature ratchet tool that form no part of the claim.

1 Claim, 5 Drawing Sheets



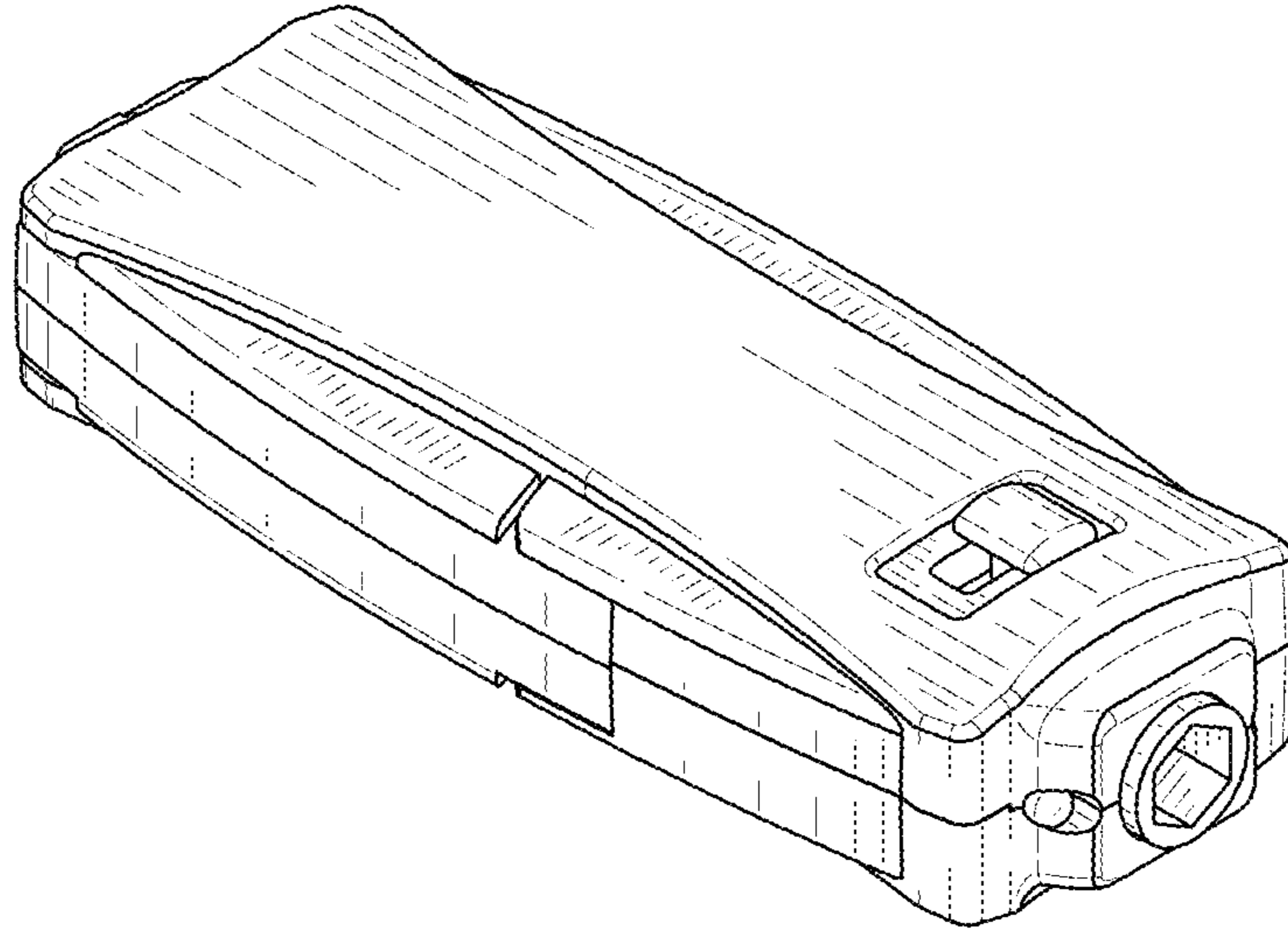


FIG-1

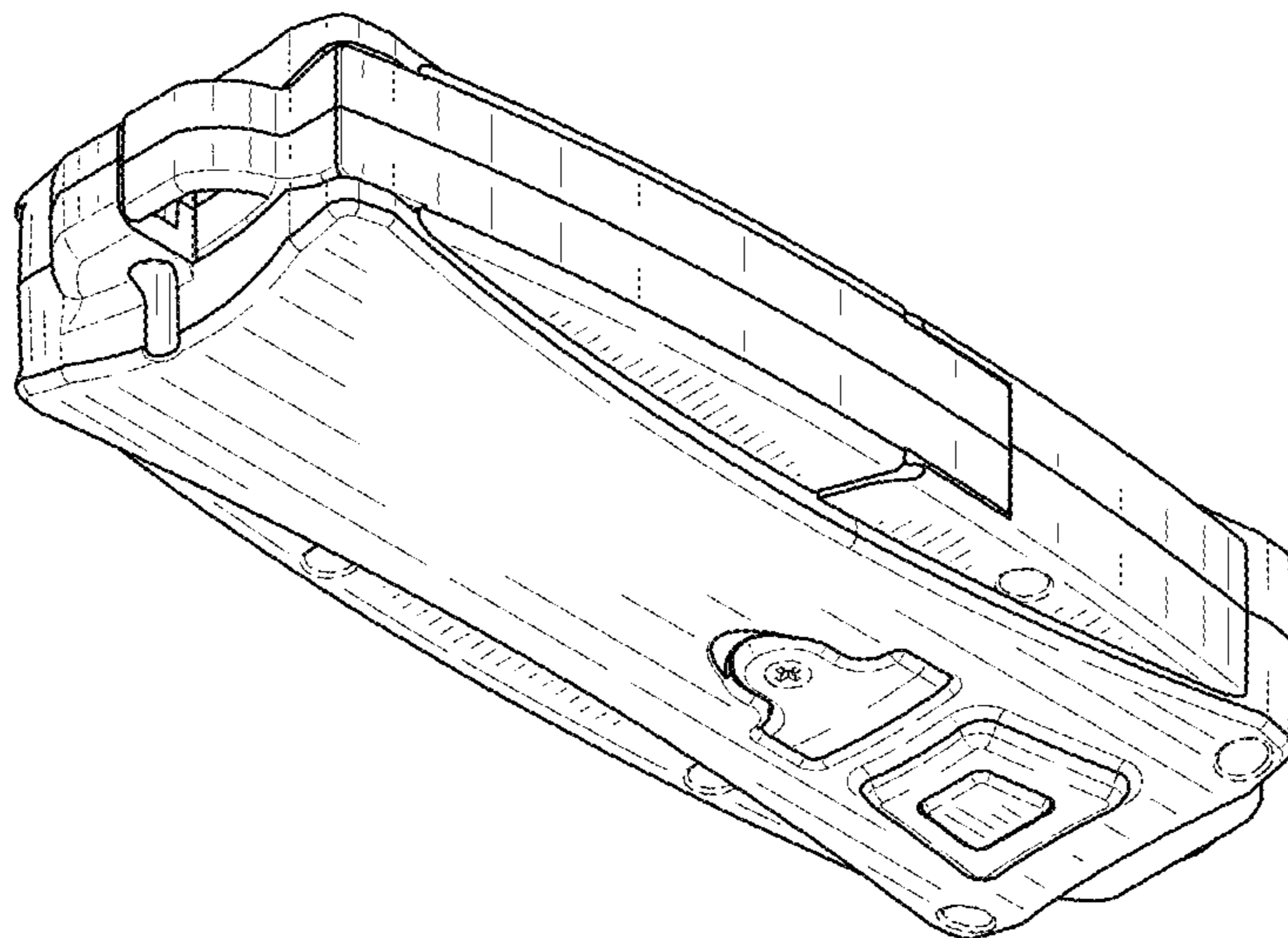


FIG-2

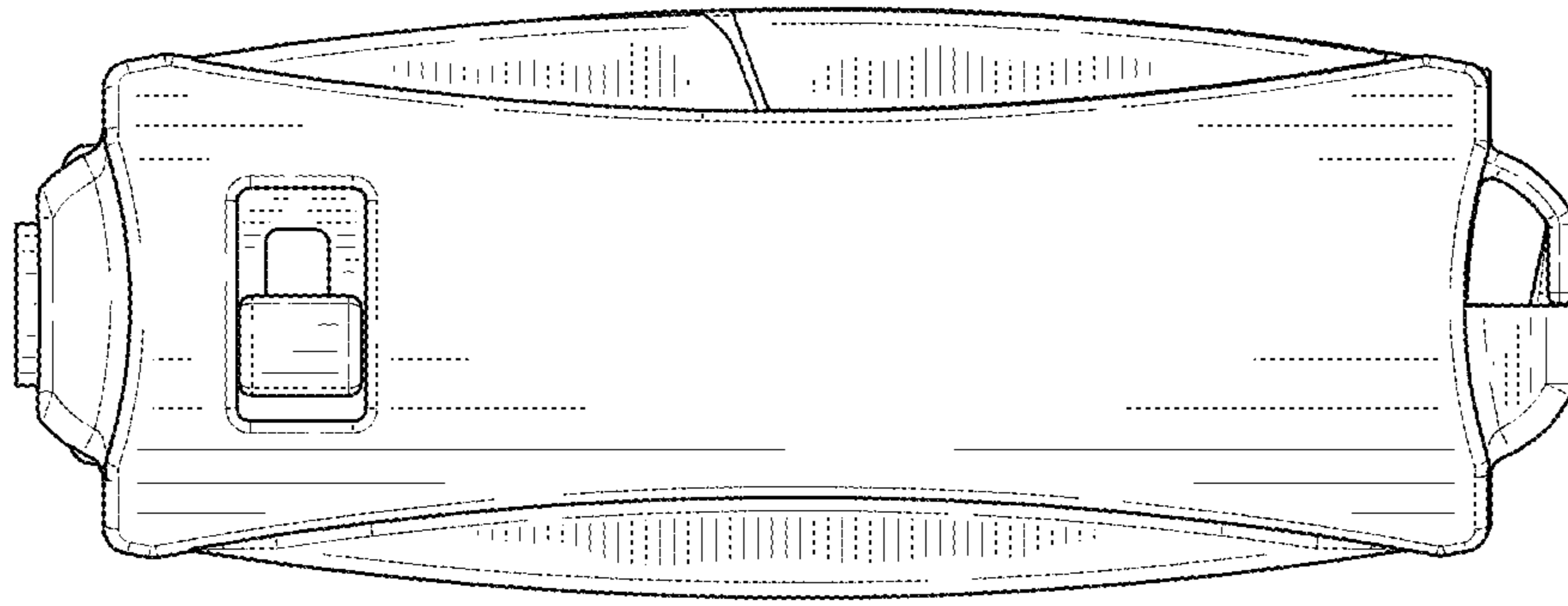


FIG-3

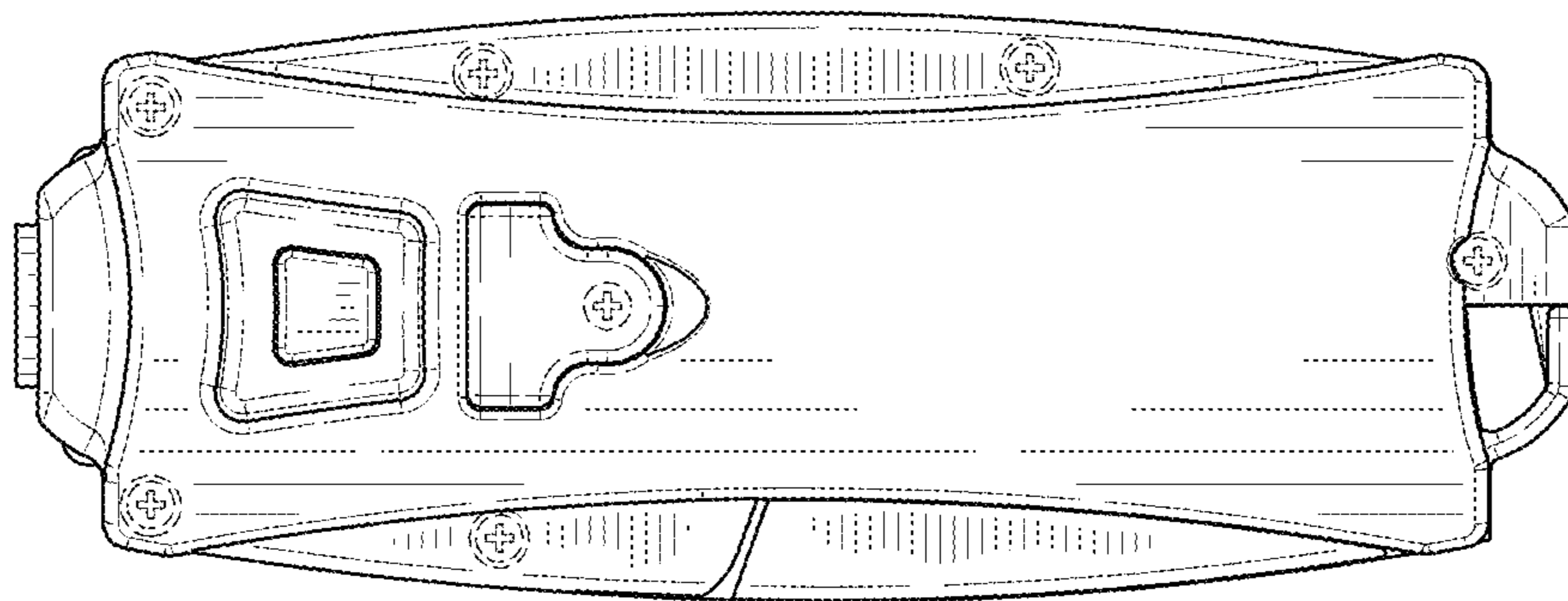


FIG-4

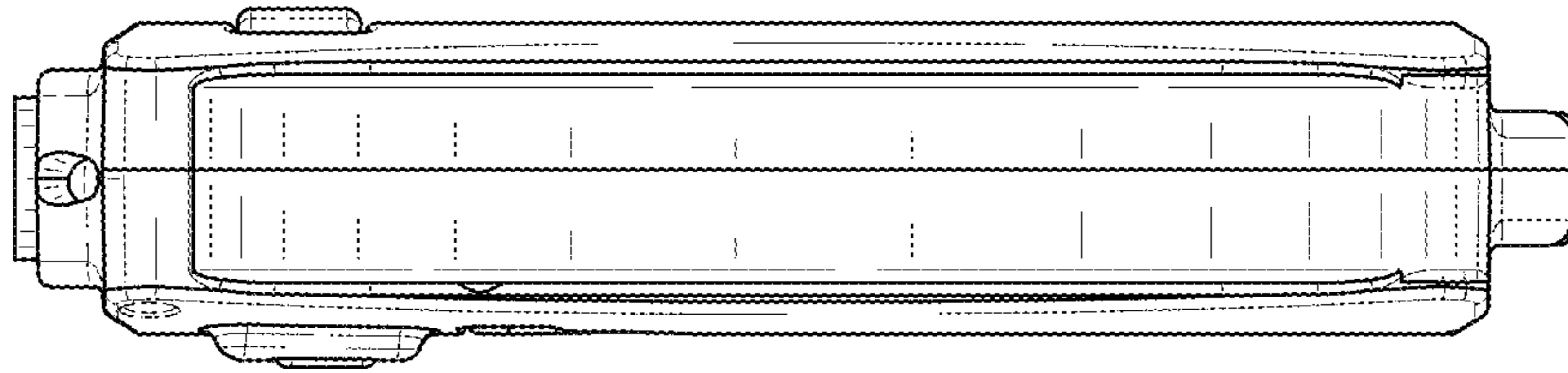


FIG-5

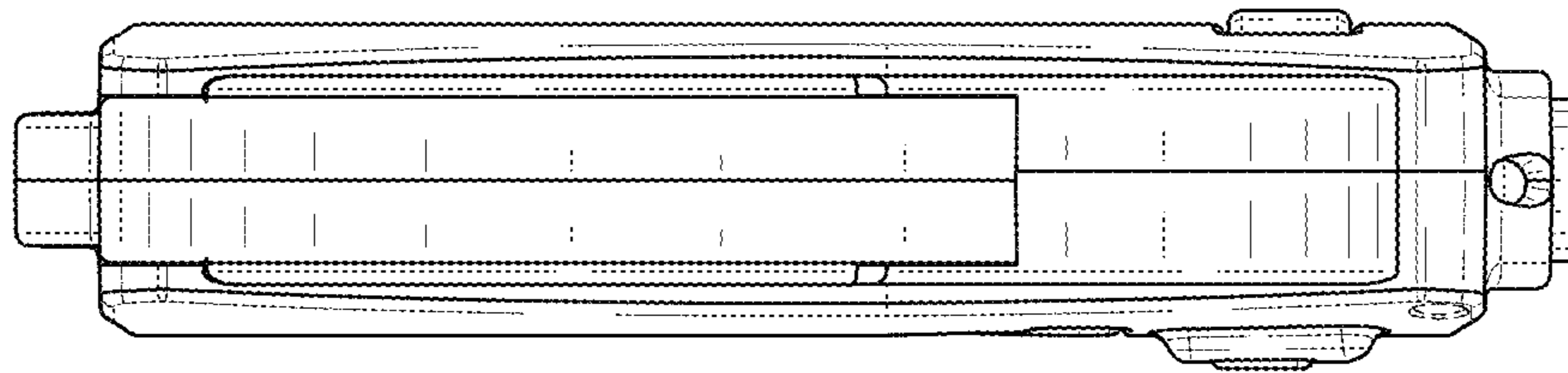


FIG-6

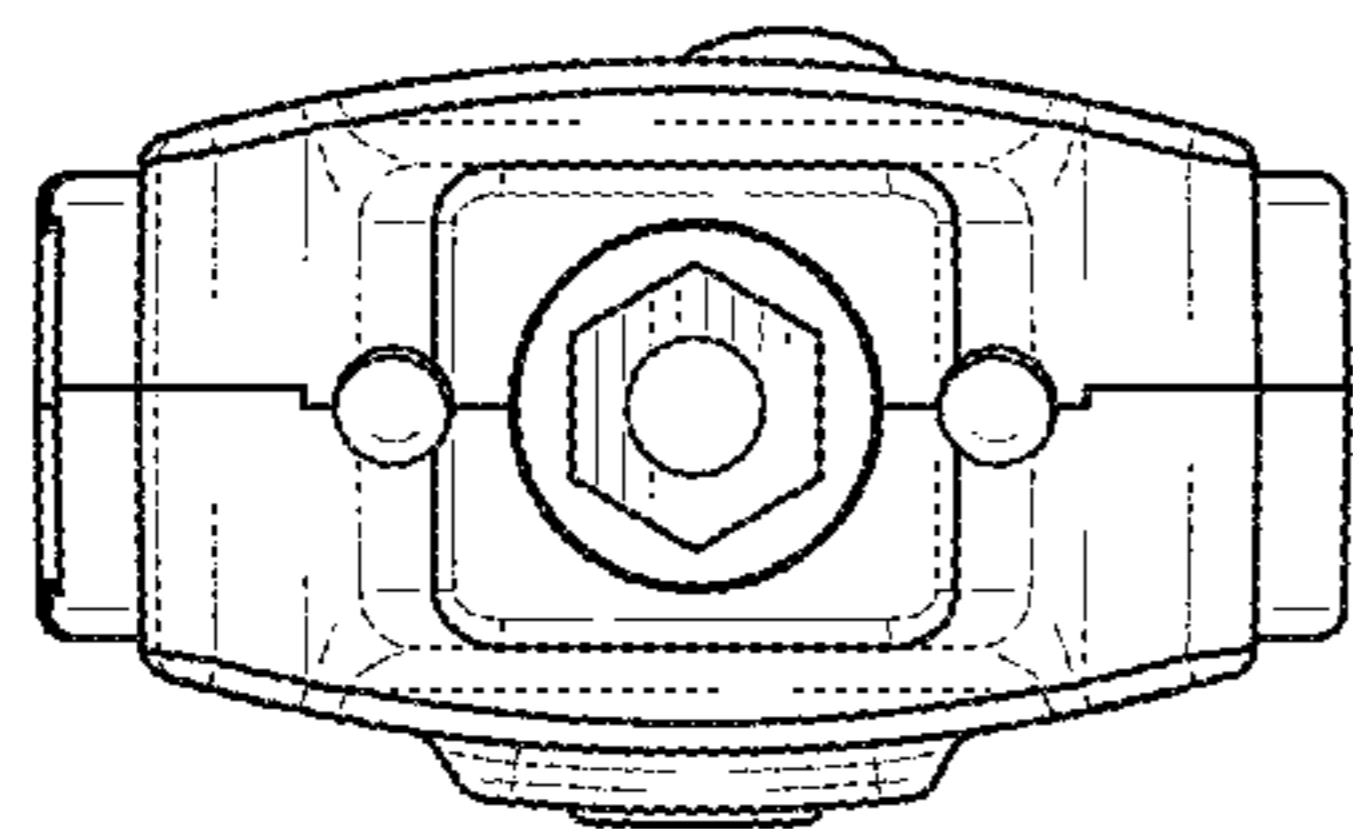


FIG-7

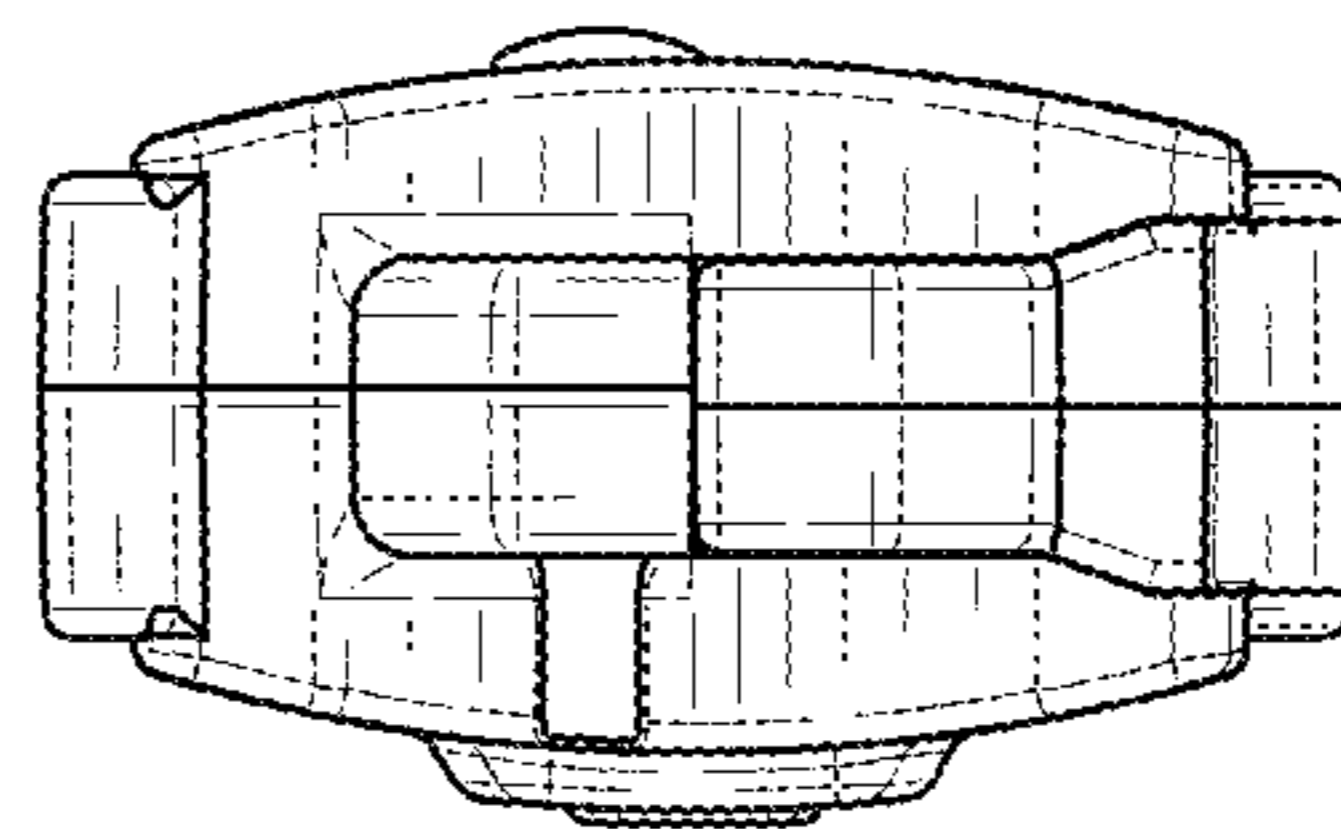


FIG-8

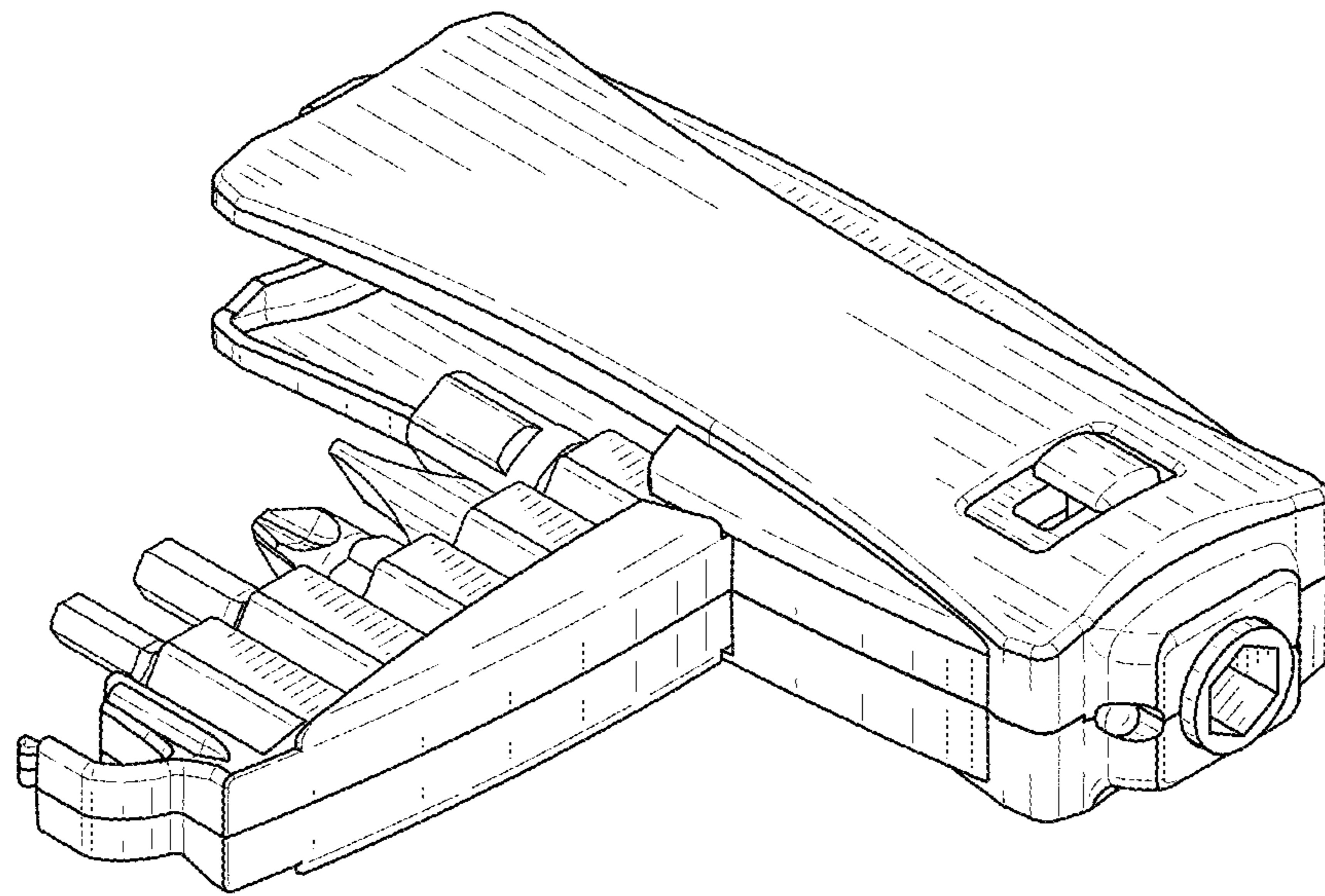


FIG-9

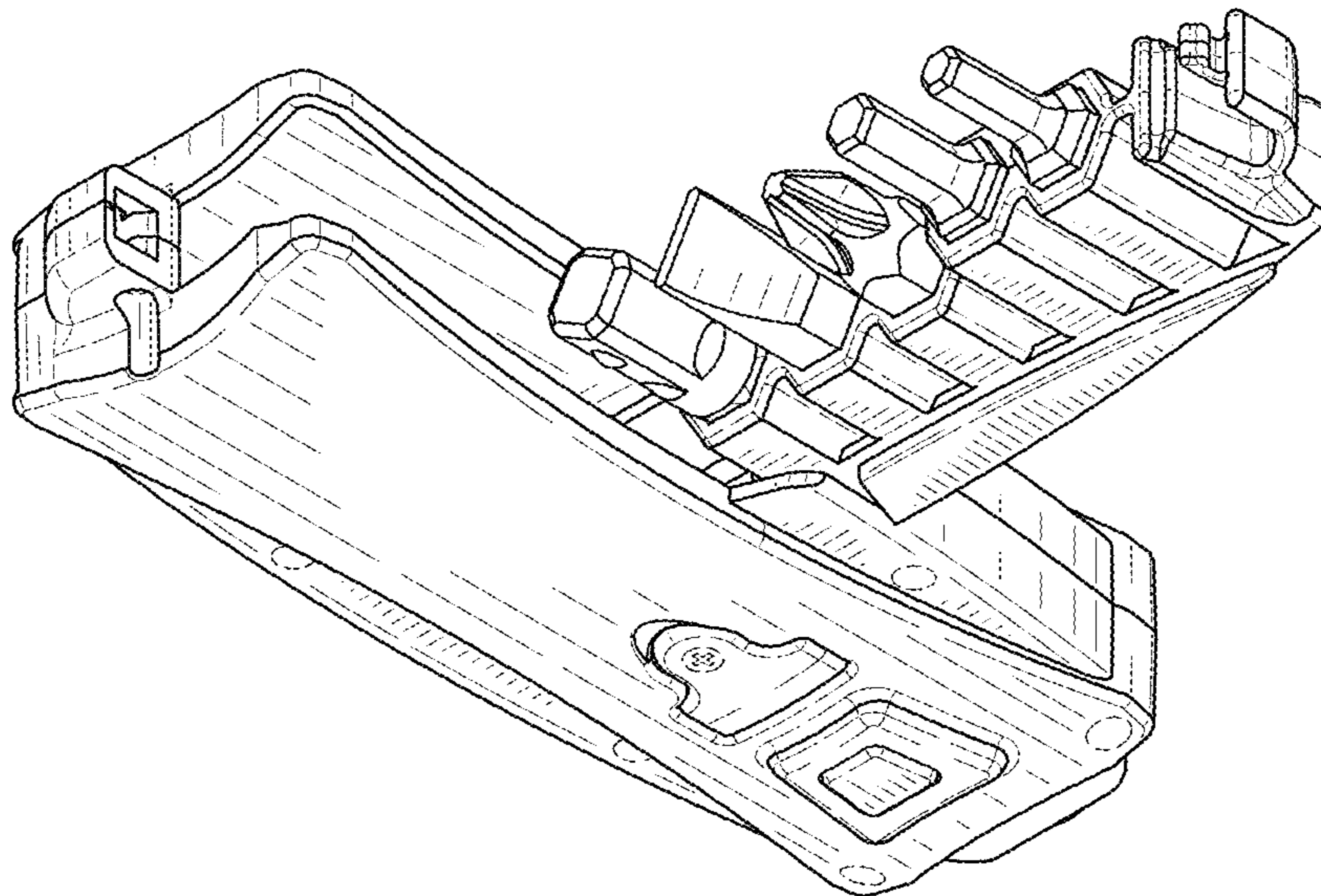


FIG-10

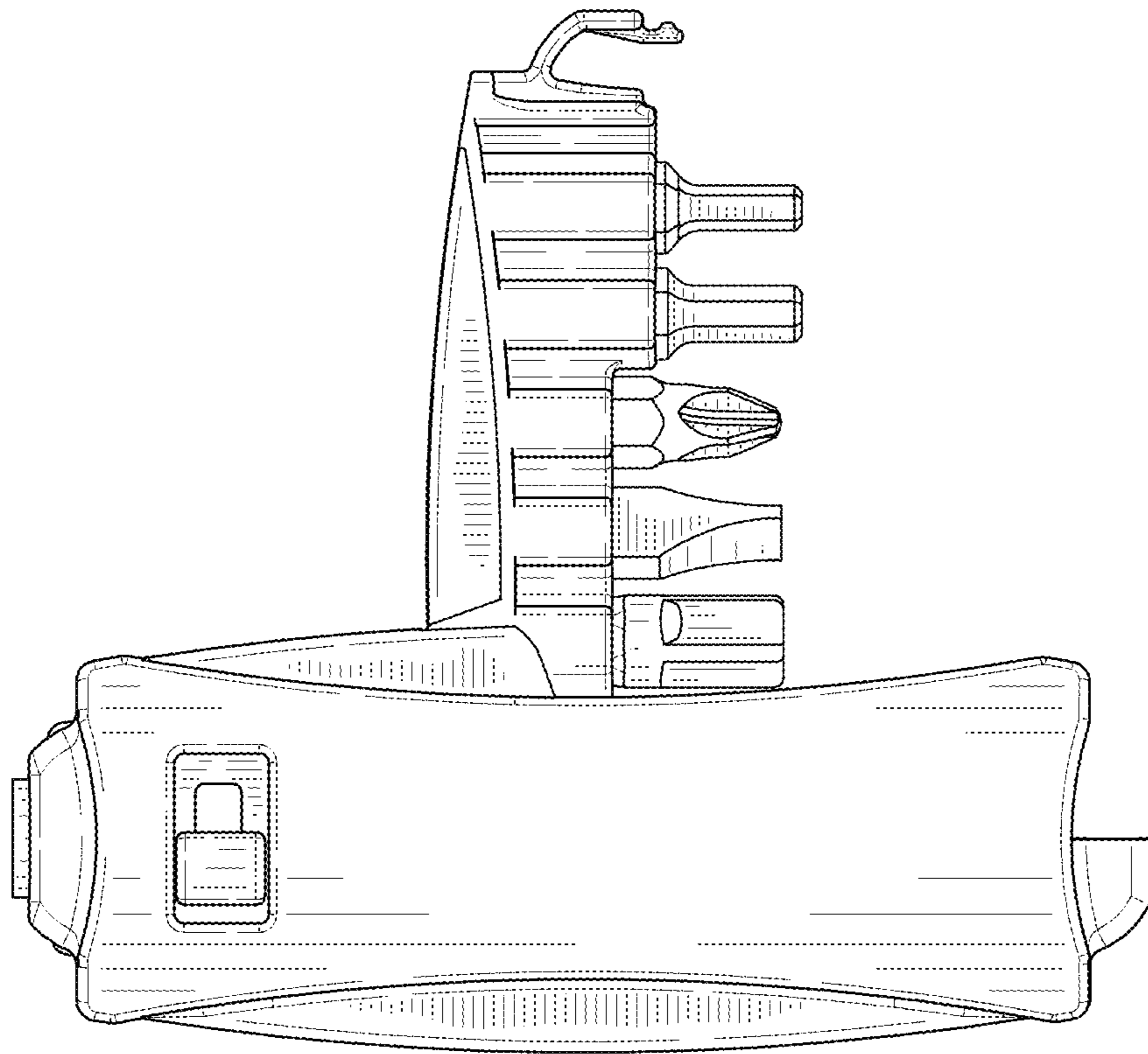


FIG-11