



US00D705634S

(12) **United States Design Patent**
Furey

(10) **Patent No.:** **US D705,634 S**

(45) **Date of Patent:** **** May 27, 2014**

(54) **STOP BLOCK CLAMP ATTACHMENT**

(71) Applicant: **Charles H Furey**, Toms River, NJ (US)

(72) Inventor: **Charles H Furey**, Toms River, NJ (US)

(**) Term: **14 Years**

(21) Appl. No.: **29/473,776**

(22) Filed: **Nov. 26, 2013**

(51) **LOC (10) Cl.** **08-05**

(52) **U.S. Cl.**
USPC **D8/72**

(58) **Field of Classification Search**
USPC D8/71-74, 394, 59; 248/72, 689, 124.2;
81/487; 269/3, 4, 6, 143, 165, 240,
269/243, 246-249, 254 R, 147-149; 29/256,
29/257, 276; 408/103, 104-109; D15/133,
D15/135, 136, 138; 83/477.2, 438
See application file for complete search history.

(56) **References Cited**

U.S. PATENT DOCUMENTS

D342,267 S *	12/1993	Scholtz	D15/136
D343,628 S *	1/1994	Sciholtz	D15/136
6,274,830 B1 *	8/2001	Thomas	200/61.58 R
D449,282 S *	10/2001	Kramer	D15/138
D475,375 S *	6/2003	Curry et al.	D15/136
6,752,059 B1 *	6/2004	Posont	83/745
D502,772 S *	3/2005	Abry	D24/128
D518,496 S *	4/2006	Doyle	D15/145
D643,446 S *	8/2011	Gupta et al.	D15/136
8,234,959 B2 *	8/2012	Janson	83/438
8,522,658 B2 *	9/2013	Frolov	83/473
8,555,762 B1 *	10/2013	Jones	83/477.2
8,661,954 B1 *	3/2014	Quayle	83/438

* cited by examiner

Primary Examiner — David Muller

(74) *Attorney, Agent, or Firm* — Staurt M. Goldstein

(57) **CLAIM**

The ornamental design for a stop block clamp attachment, as shown and described.

DESCRIPTION

FIG. 1 is a front isometric view of the stop block clamp attachment of the present invention.

FIG. 2 is a rear isometric view of the stop block clamp attachment of the present invention.

FIG. 3 is a front elevation view of the stop block clamp attachment of the present invention.

FIG. 4 is a rear elevation view of the stop block clamp attachment of the present invention.

FIG. 5 is a lateral elevation view of the stop block clamp attachment of the present invention.

FIG. 6 is the opposite lateral elevation view of the stop block clamp attachment of the present invention.

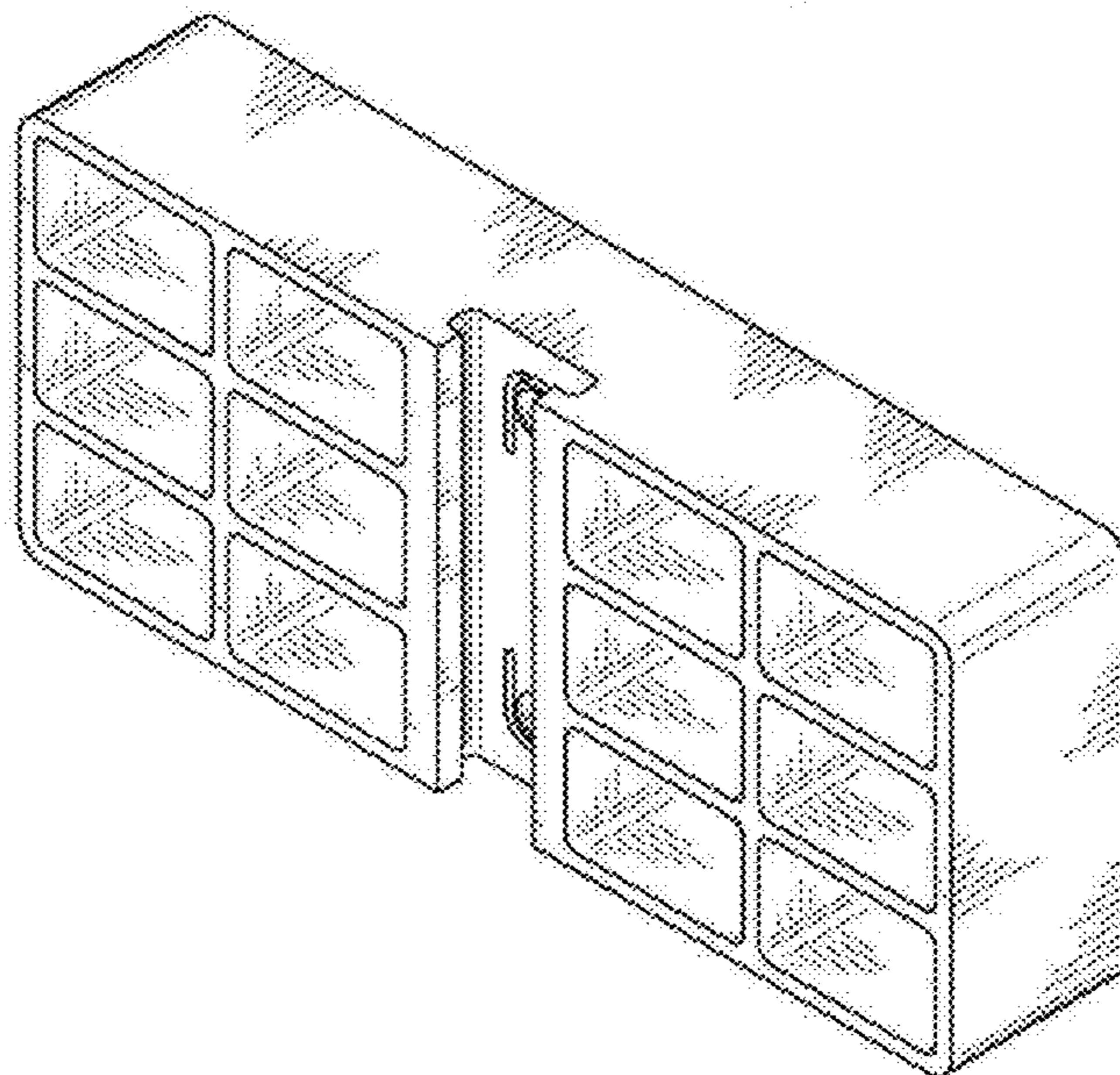
FIG. 7 is an end view of the stop block clamp attachment of the present invention.

FIG. 8 is the opposite end view of the stop block clamp attachment of the present invention.

FIG. 9 is an isometric view of the stop block clamp attachment of the present invention in use condition showing context. The broken lines showing a saw, saw table, clamp and material to be cut are included for the purpose of illustrating environmental structure only and form no part of the claimed design; and,

FIG. 10 is a close-up isometric view of the stop block clamp attachment of the present invention in use condition showing context. The broken lines showing a clamp are included for the purpose of illustrating environmental structure only and form no part of the claimed design.

1 Claim, 5 Drawing Sheets



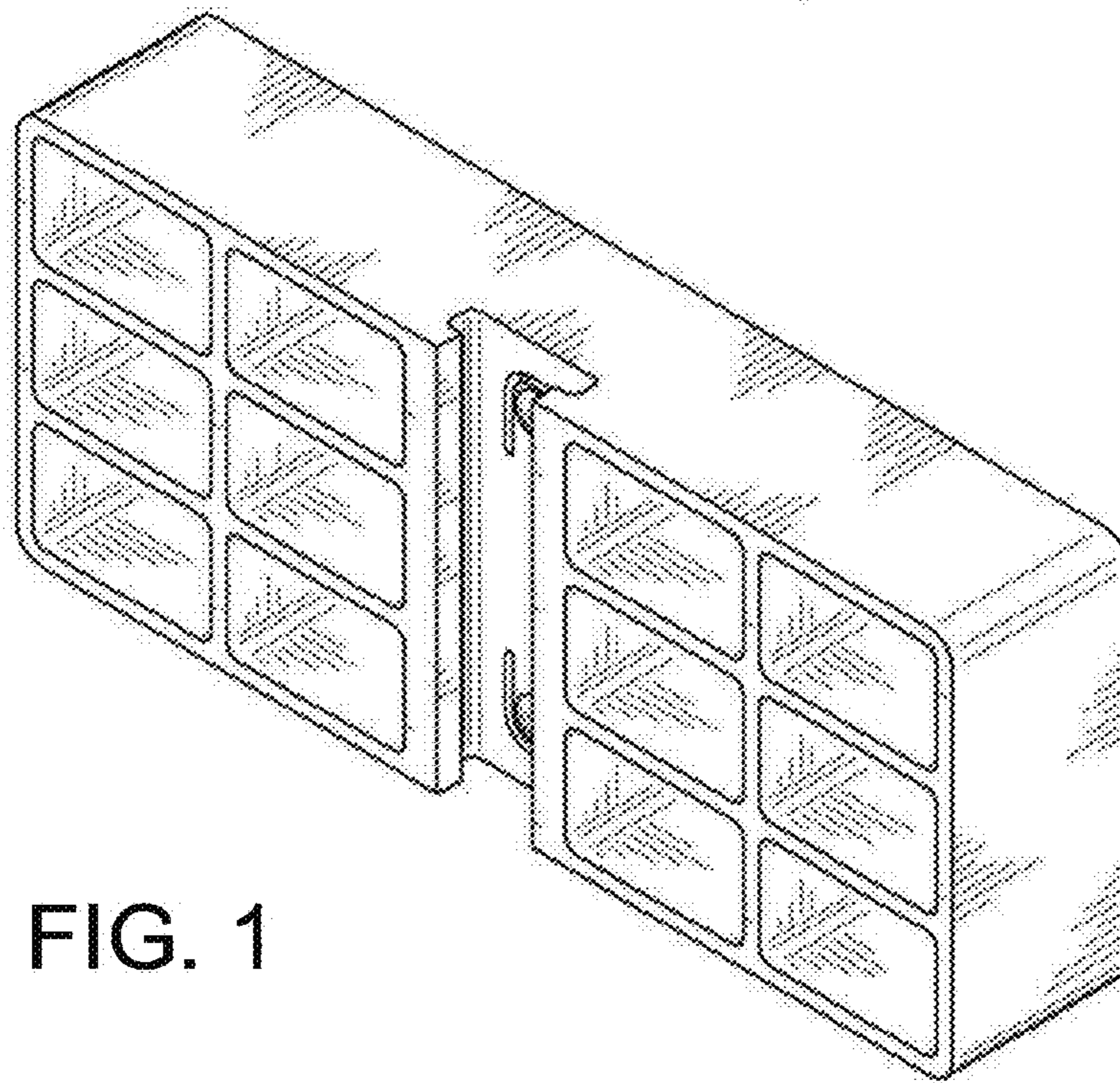


FIG. 1

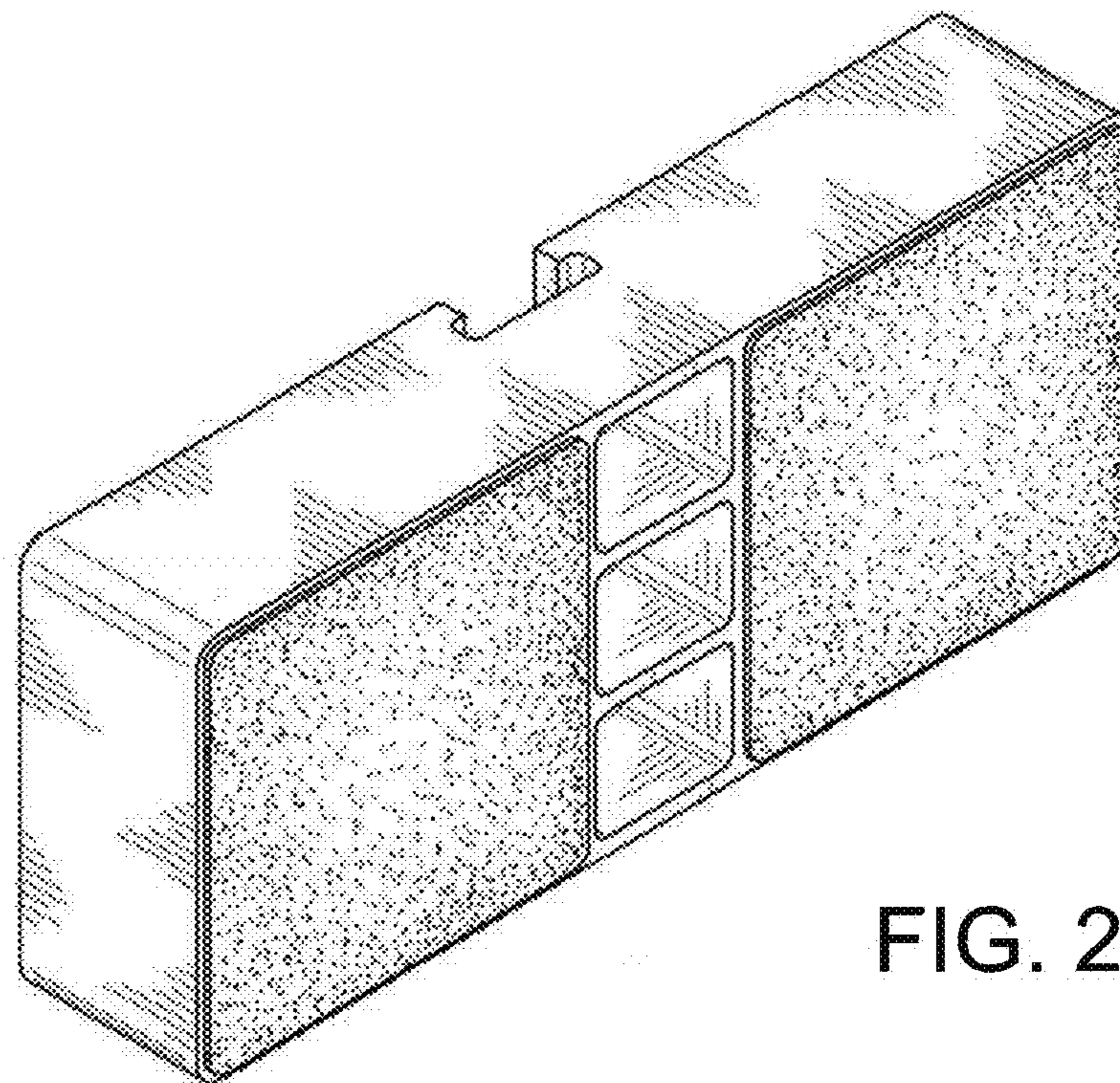


FIG. 2

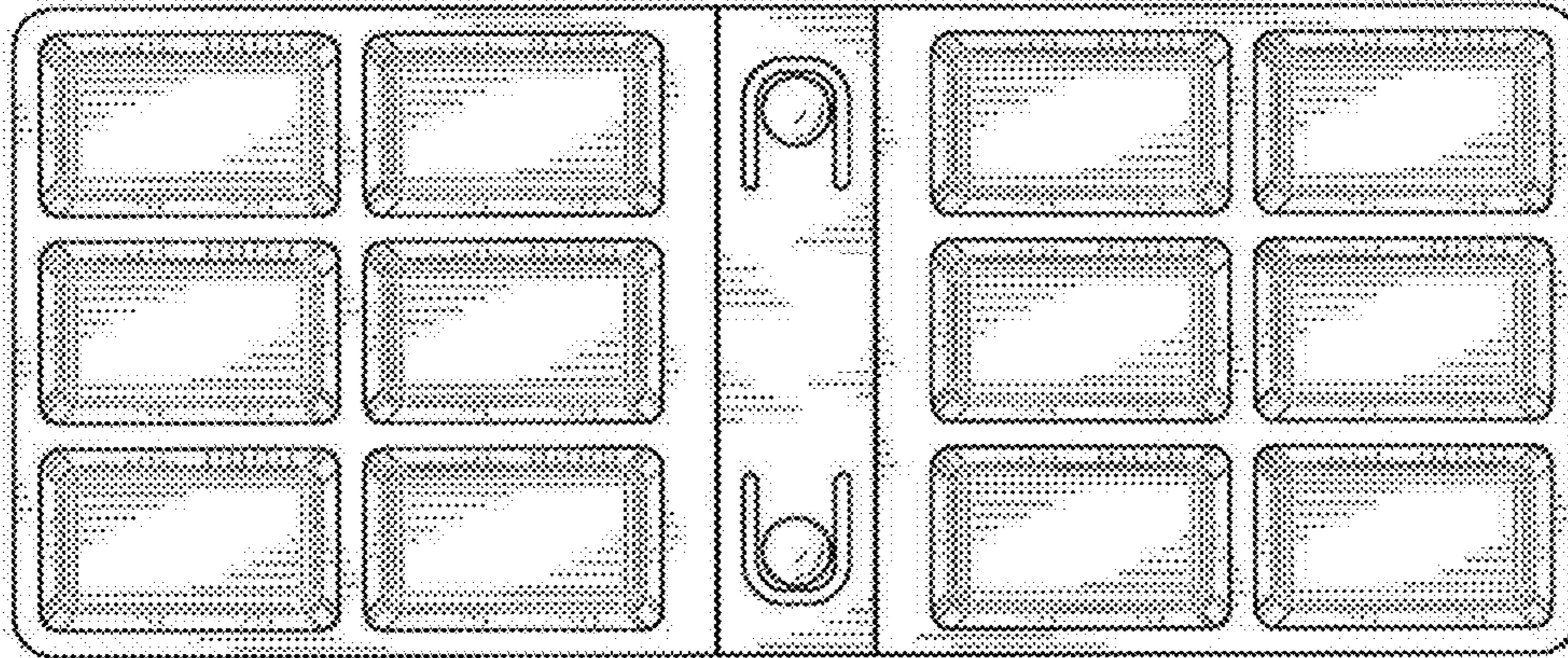


FIG. 3

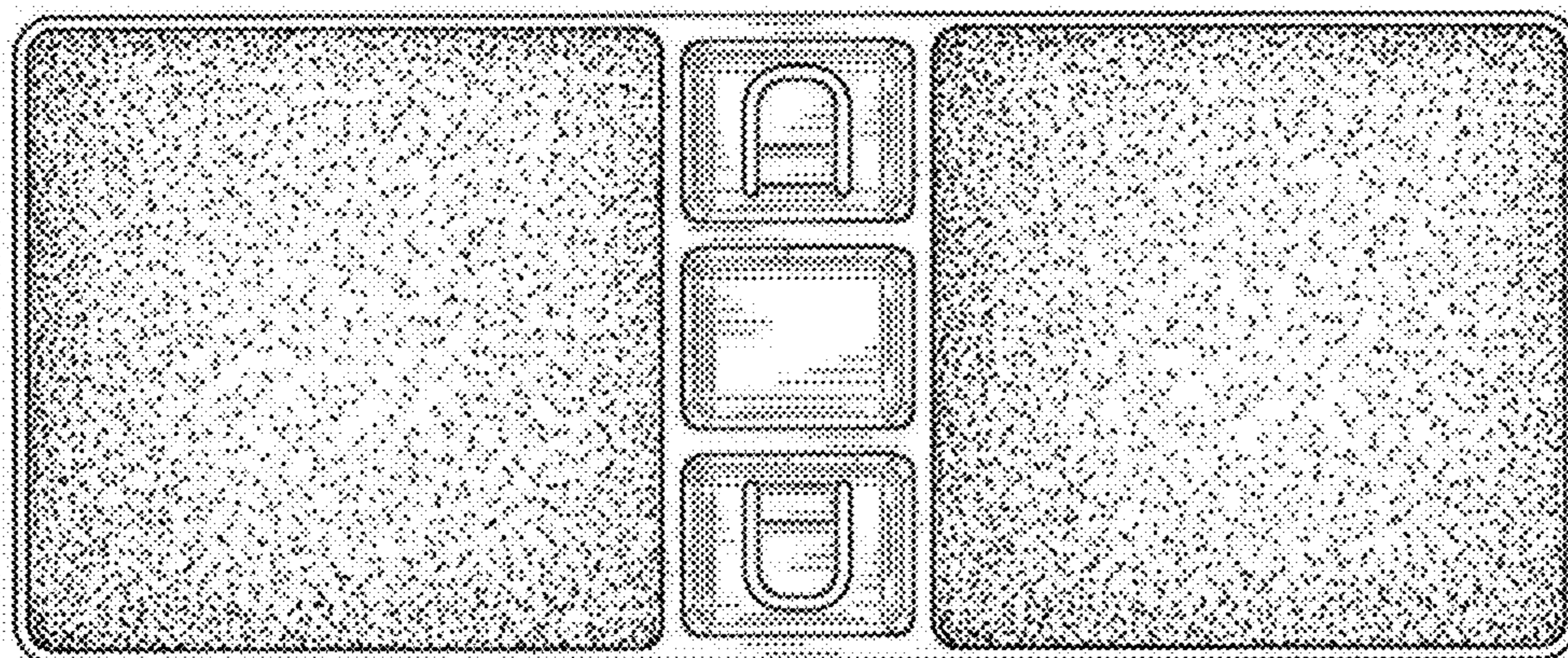


FIG. 4

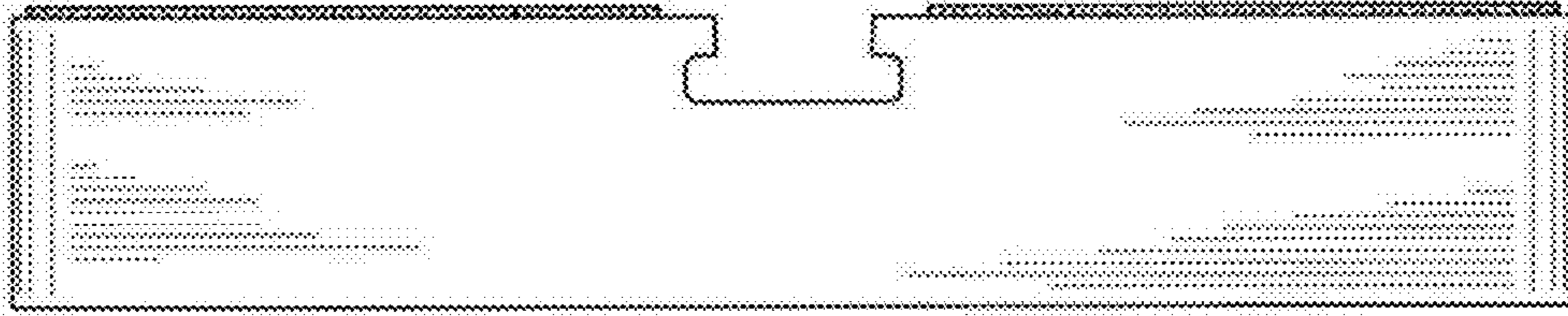


FIG. 5

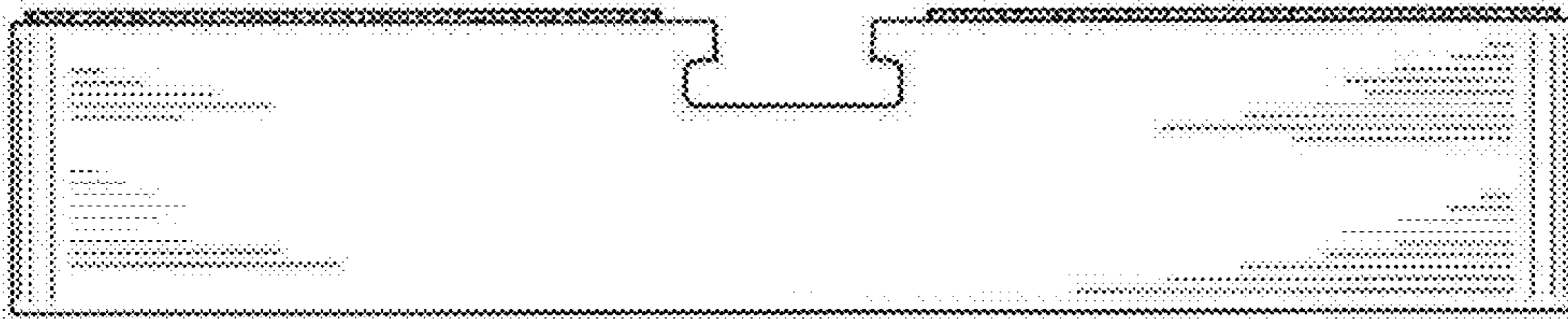


FIG. 6

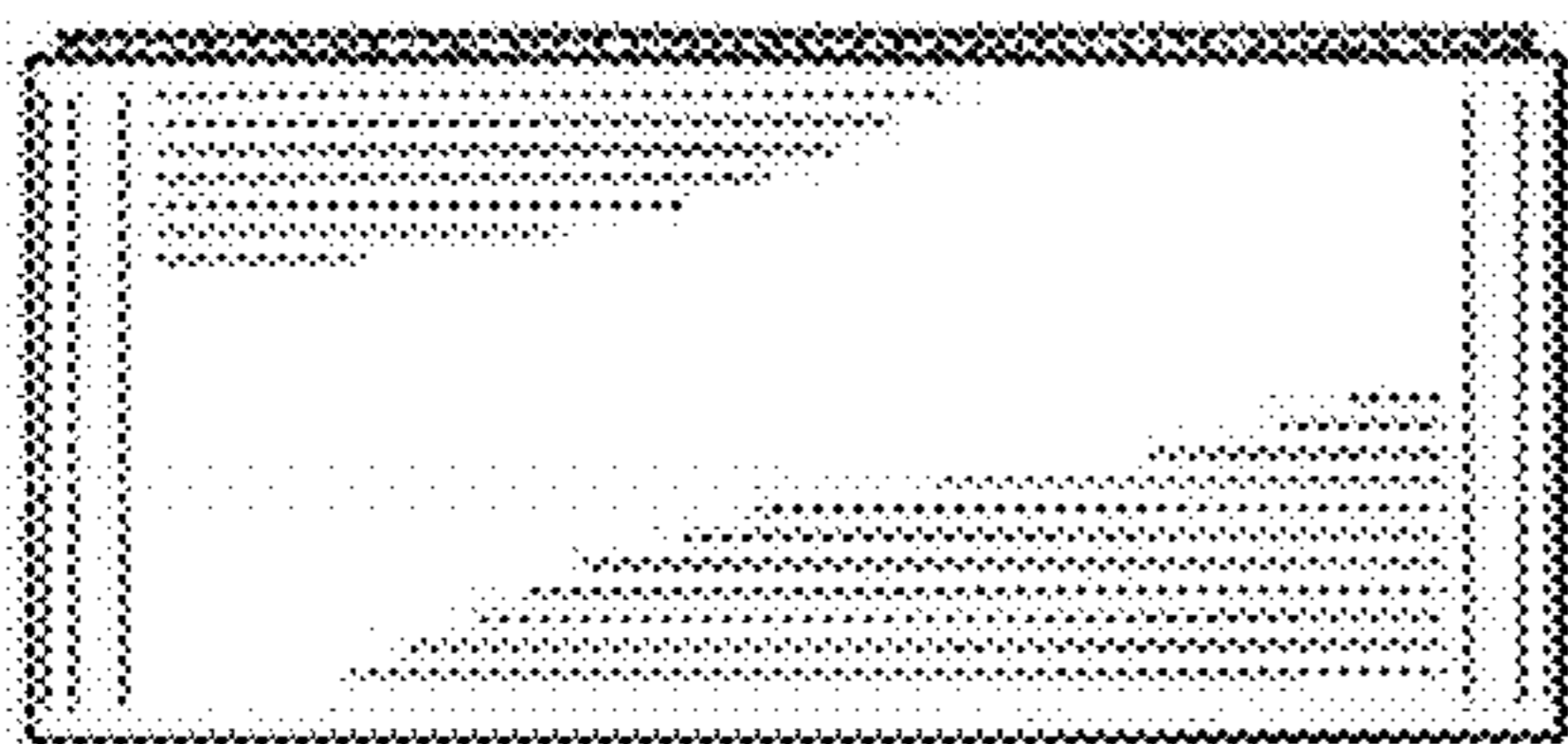


FIG. 7

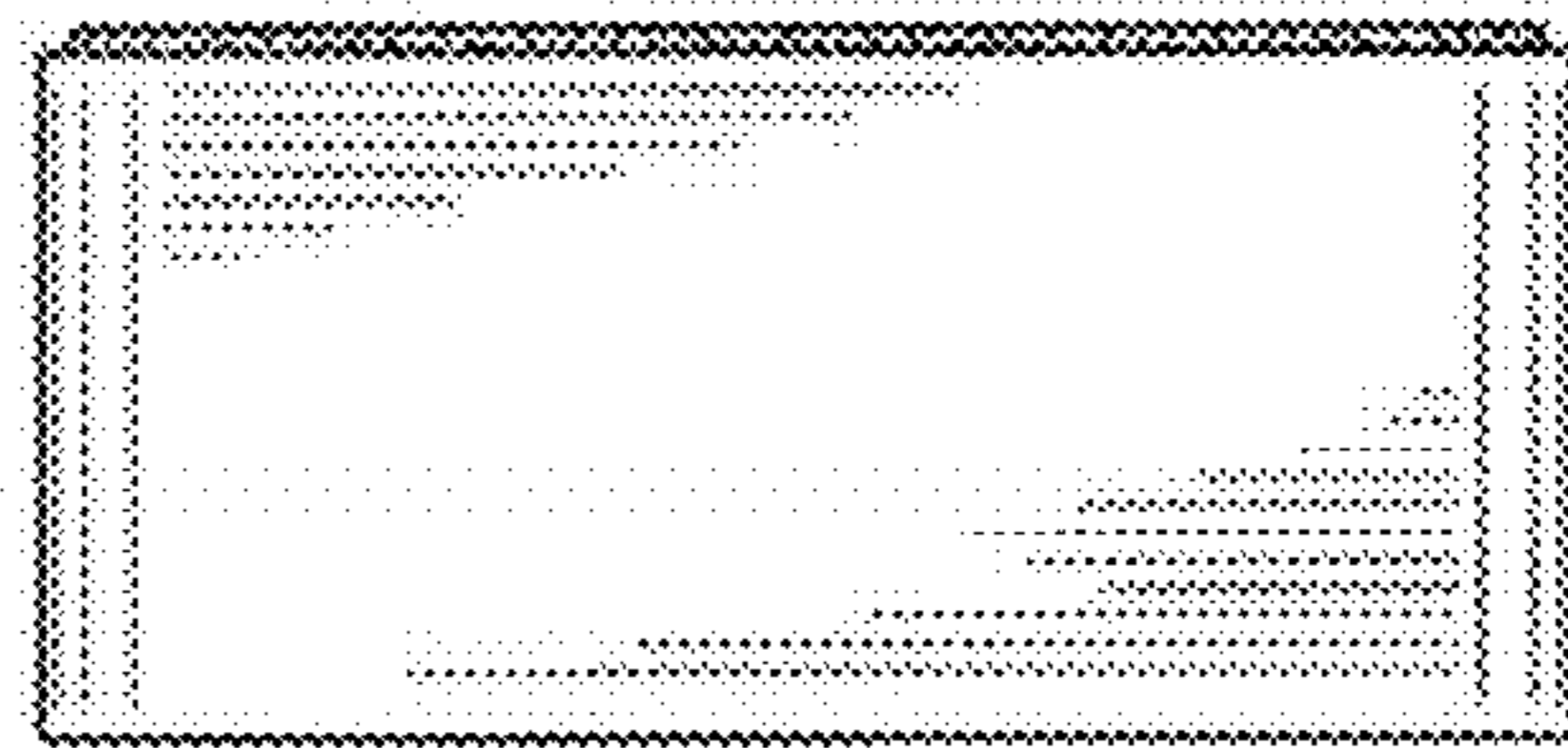


FIG. 8

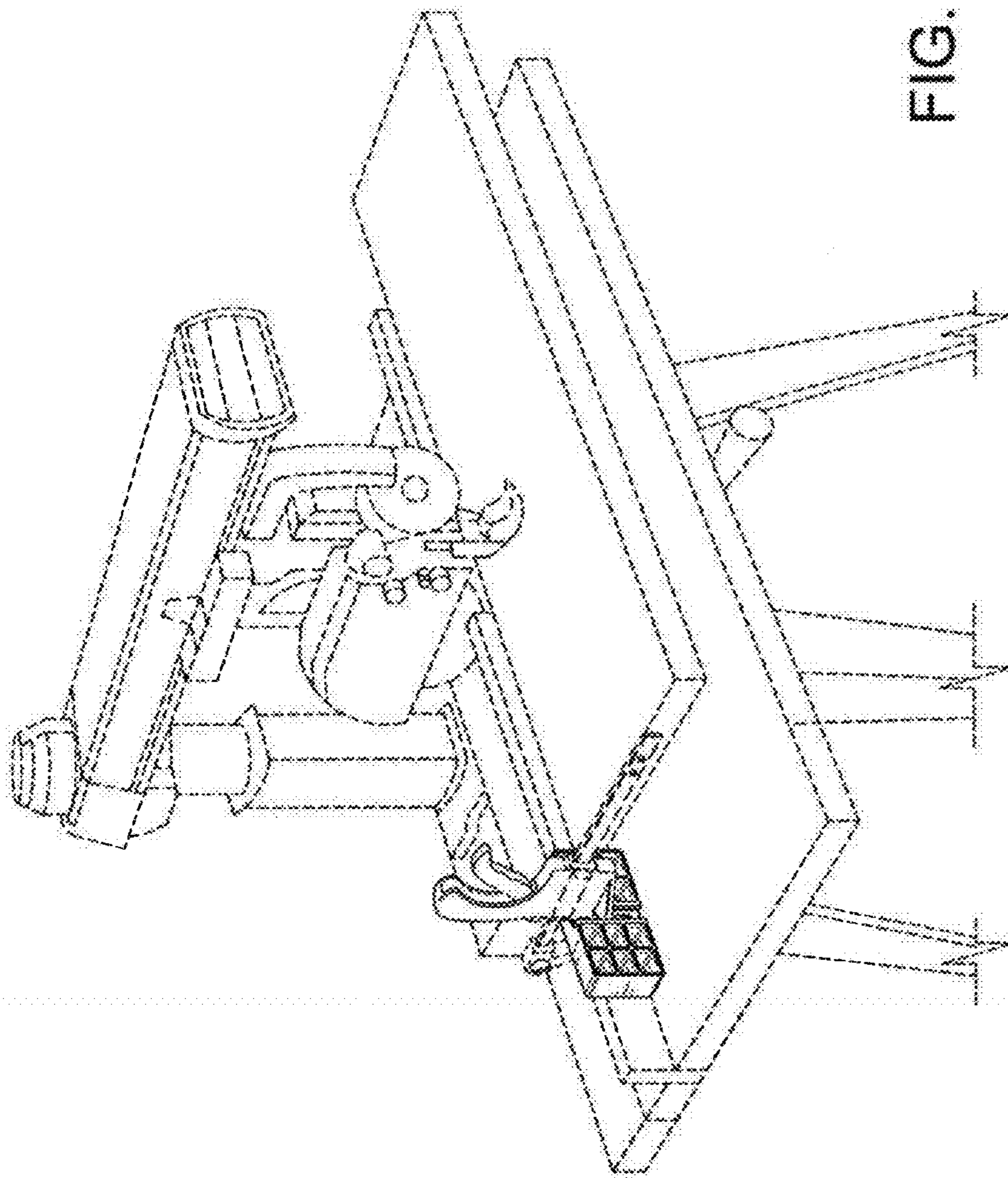


FIG. 9

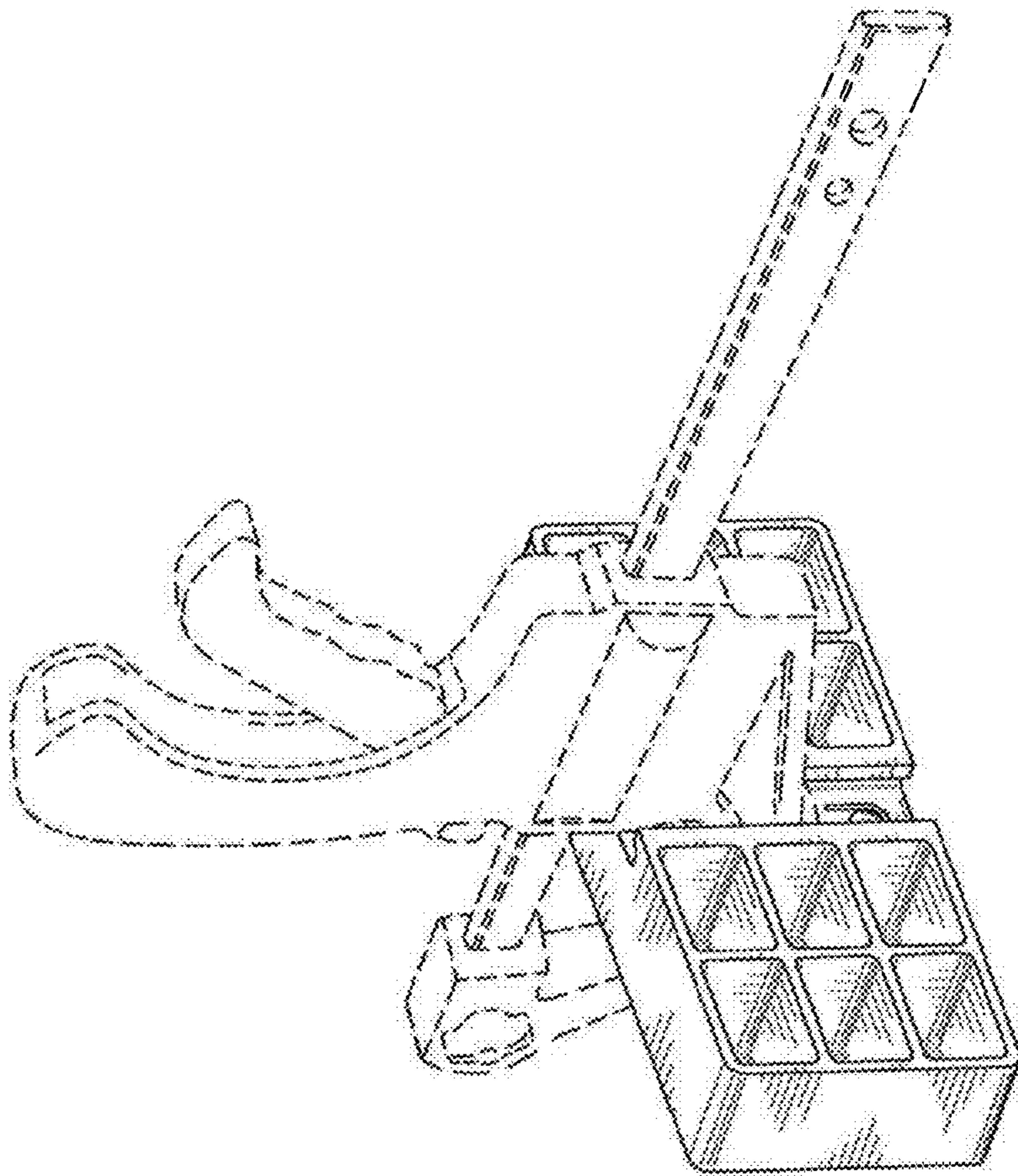


FIG. 10

UNITED STATES PATENT AND TRADEMARK OFFICE
CERTIFICATE OF CORRECTION

PATENT NO. : D705,634 S
APPLICATION NO. : 29/473776
DATED : May 27, 2014
INVENTOR(S) : Furey

Page 1 of 2

It is certified that error appears in the above-identified patent and that said Letters Patent is hereby corrected as shown below:

In the Drawings

Delete drawing sheet 3 of 5, and substitute therefor, new drawing sheet 3 of 5. (Attached)

Signed and Sealed this
Tenth Day of February, 2015



Michelle K. Lee
Deputy Director of the United States Patent and Trademark Office

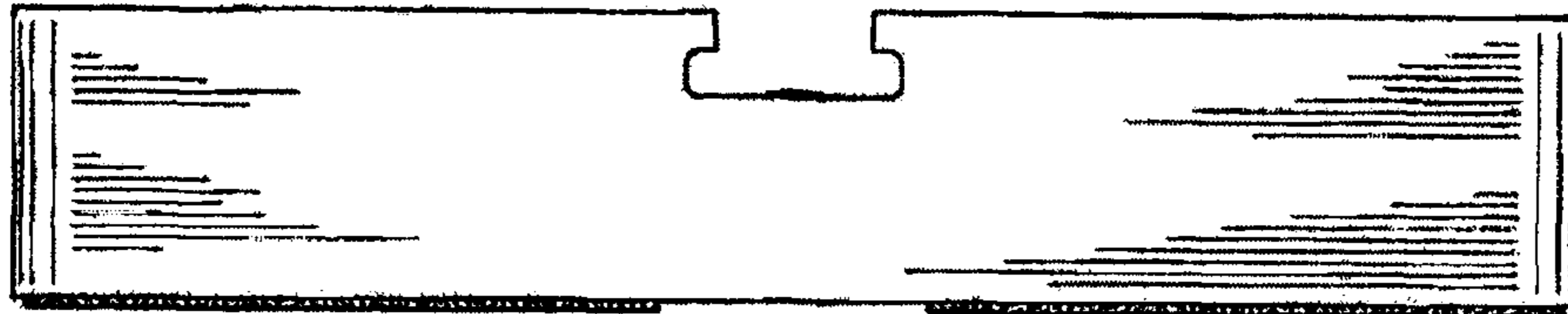


FIG. 5

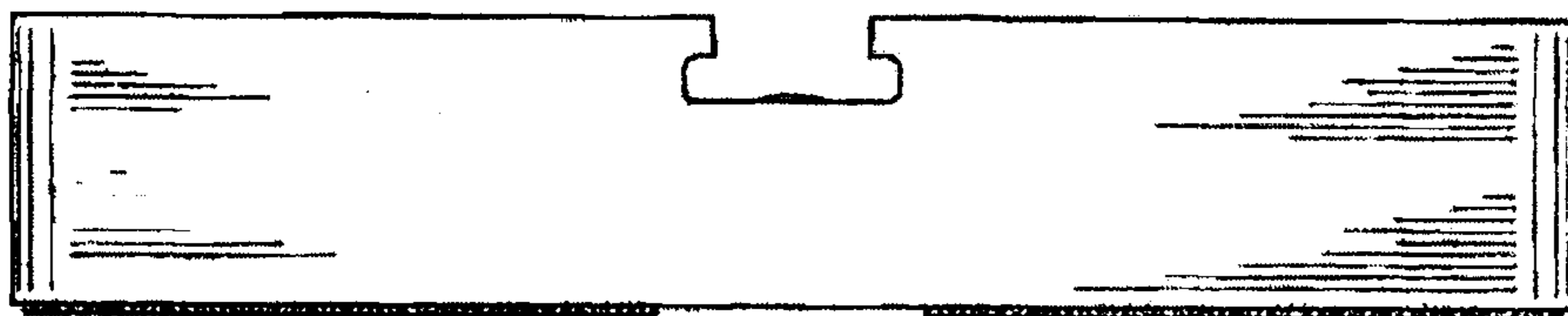


FIG. 6

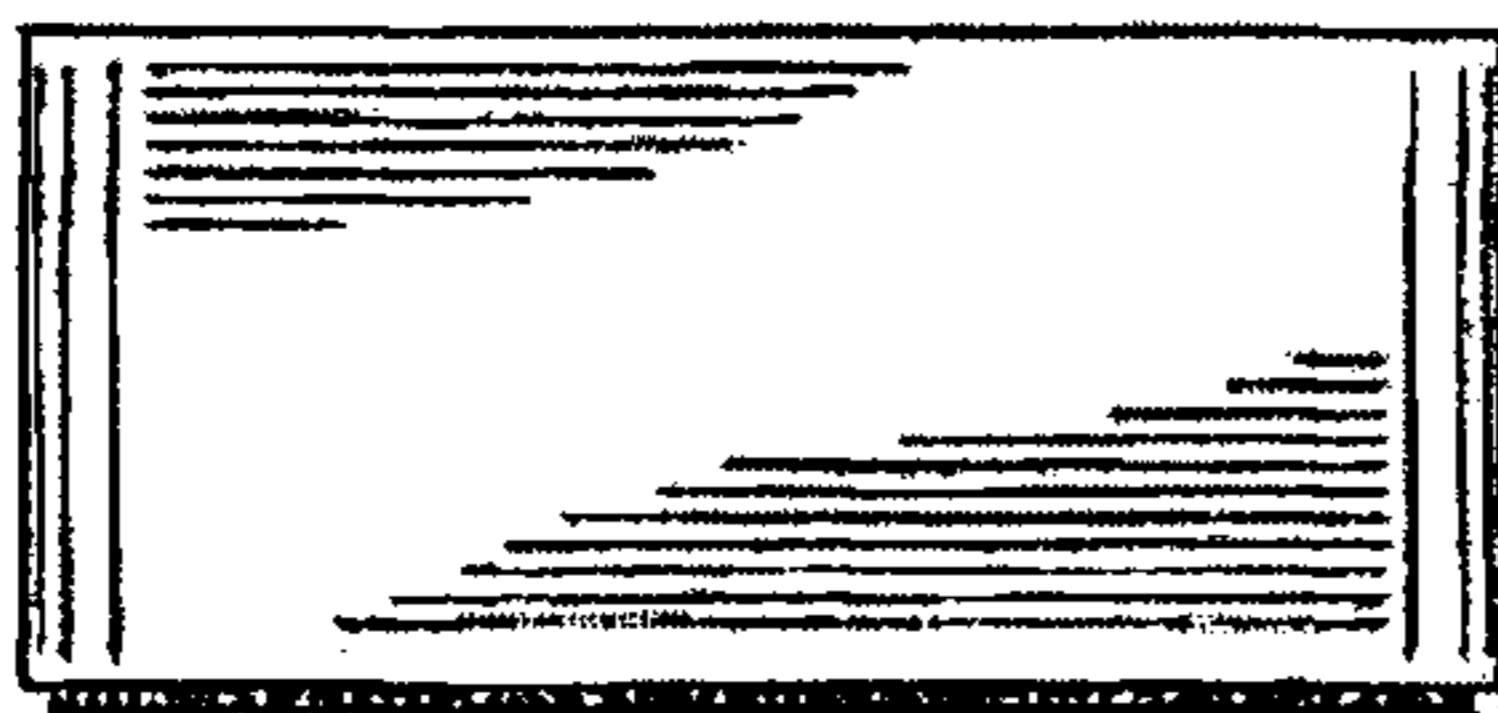


FIG. 7

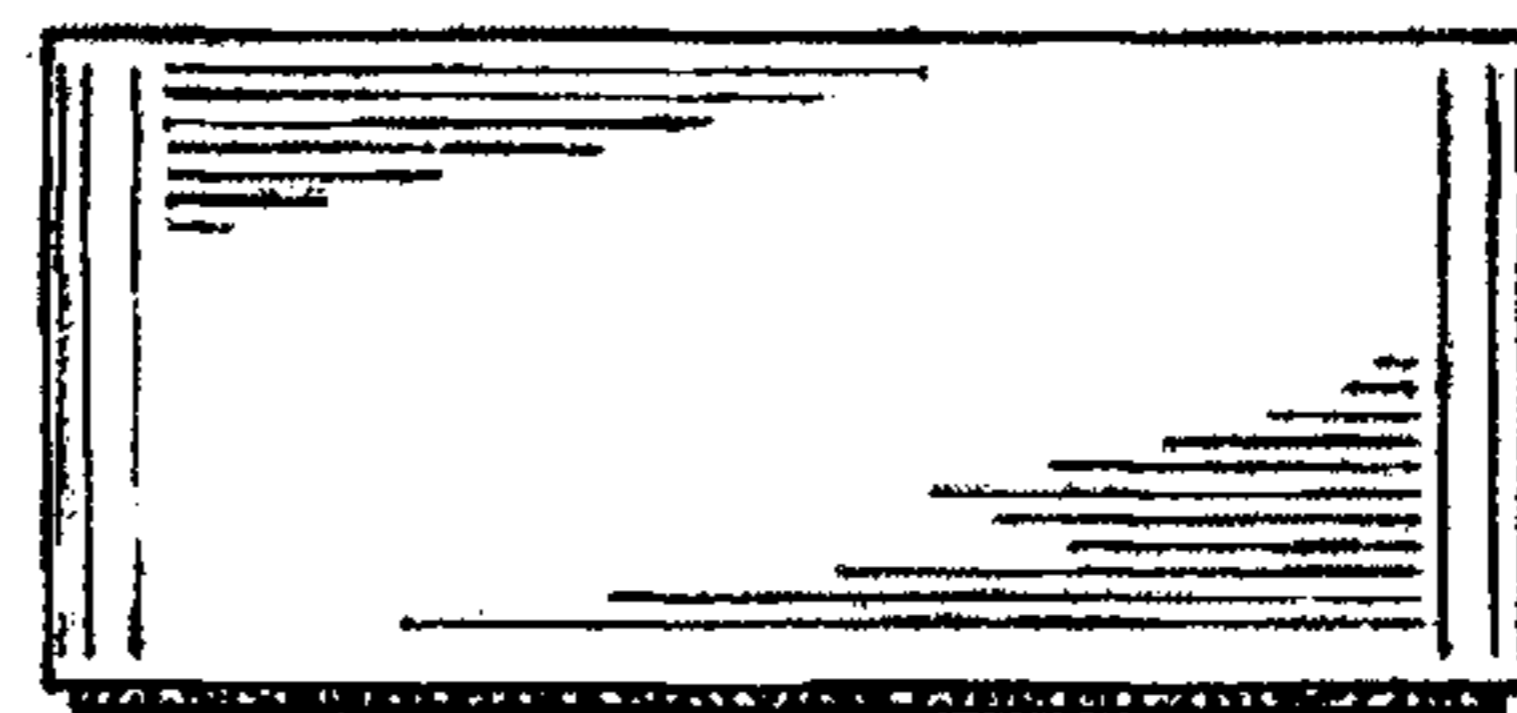


FIG. 8