



US00D705633S

(12) **United States Design Patent**
Waldron

(10) **Patent No.:** **US D705,633 S**

(45) **Date of Patent:** **** May 27, 2014**

(54) **CLAMPING DEVICE**

(71) Applicant: **Power Box AG**, Zug (CH)

(72) Inventor: **Michael Waldron**, North Yorkshire (GB)

(73) Assignee: **Power Box AG**, Zug (CH)

(**) Term: **14 Years**

(21) Appl. No.: **29/470,589**

(22) Filed: **Oct. 23, 2013**

Related U.S. Application Data

(63) Continuation of application No. 29/417,435, filed on Apr. 3, 2012, now abandoned.

Foreign Application Priority Data

Mar. 2, 2012 (EM) 002001941

(51) **LOC (10) Cl.** **08-05**

(52) **U.S. Cl.**
USPC **D8/72**

(58) **Field of Classification Search**

USPC D8/71-74, 394, 59; 248/72, 689, 124.2;
81/487; 269/3, 4, 6, 143, 165, 240,
269/243, 246-249, 254 R, 147-149; 29/256,
29/257, 276; 408/103, 104-109

See application file for complete search history.

(56) **References Cited**

U.S. PATENT DOCUMENTS

4,132,397	A *	1/1979	Ward	269/252
D253,212	S *	10/1979	Maruscak et al.	D6/400
D256,533	S *	8/1980	Alessio	D6/400
D266,274	S *	9/1982	Arns	D25/67
D284,348	S *	6/1986	Covey	D8/71
4,619,446	A *	10/1986	Yang	269/88
D335,435	S *	5/1993	Lawson	D8/71
5,593,147	A *	1/1997	Read	269/170
5,865,269	A *	2/1999	Eskesen	182/182.2
D414,669	S *	10/1999	Howard	D8/71
D453,286	S *	2/2002	Grady	D8/51
8,528,870	B2 *	9/2013	Liu et al.	248/214
D693,665	S *	11/2013	Brown	D8/71

* cited by examiner

Primary Examiner — David Muller

(74) *Attorney, Agent, or Firm* — Head, Johnson & Kachigian, p.c.

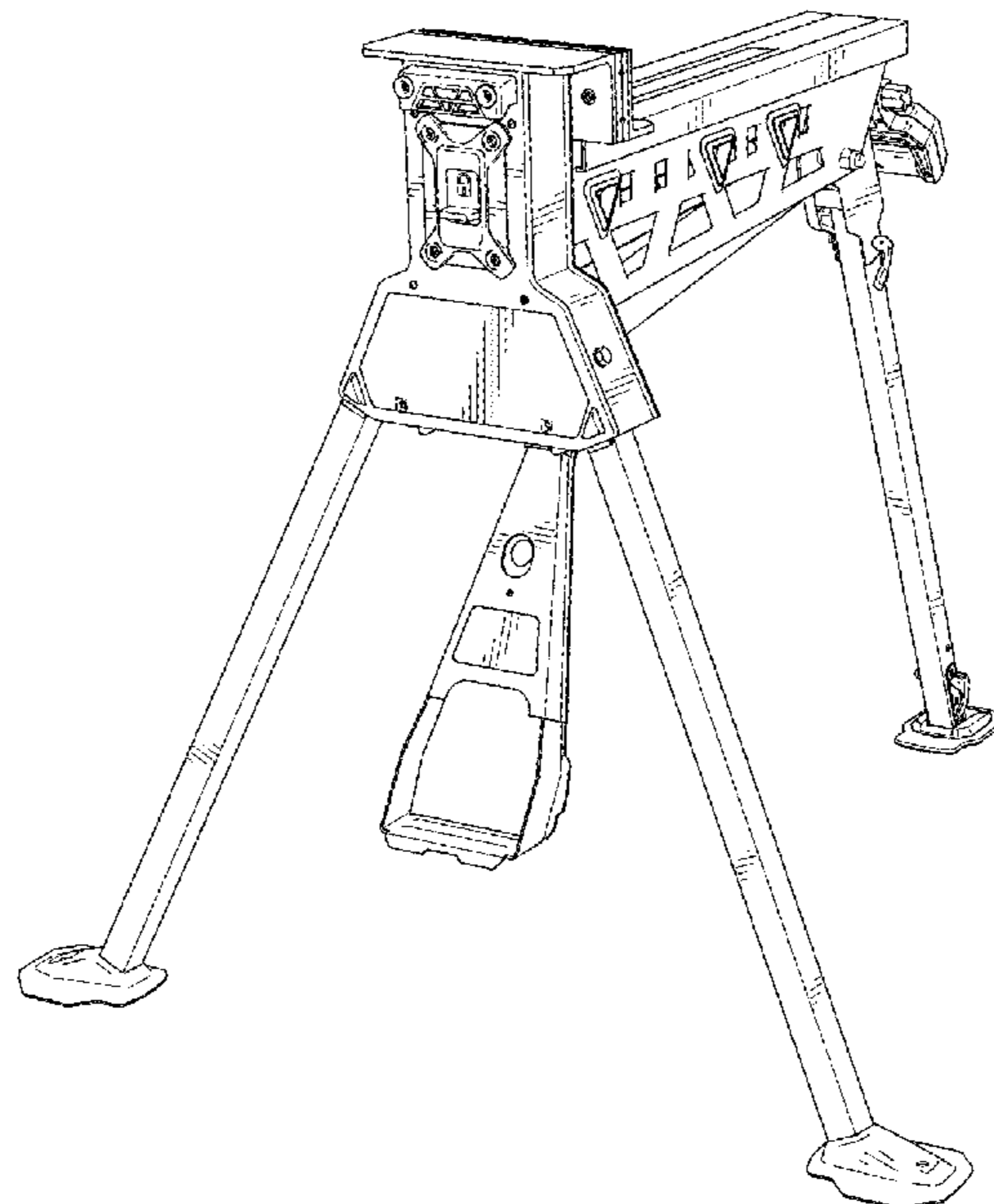
(57) **CLAIM**

The ornamental design for a clamping device, as shown and described.

DESCRIPTION

FIG. 1 is a front view of the clamping device;
FIG. 2 is a left side view thereof;
FIG. 3 is a right side view thereof;
FIG. 4 is a rear view thereof;
FIG. 5 is a top view thereof;
FIG. 6 is a bottom view thereof; and,
FIG. 7 is a perspective view thereof.
The broken line showing of parts of the drawings is included for the purpose of illustrating use and environment and forms no part of the claimed design.

1 Claim, 7 Drawing Sheets



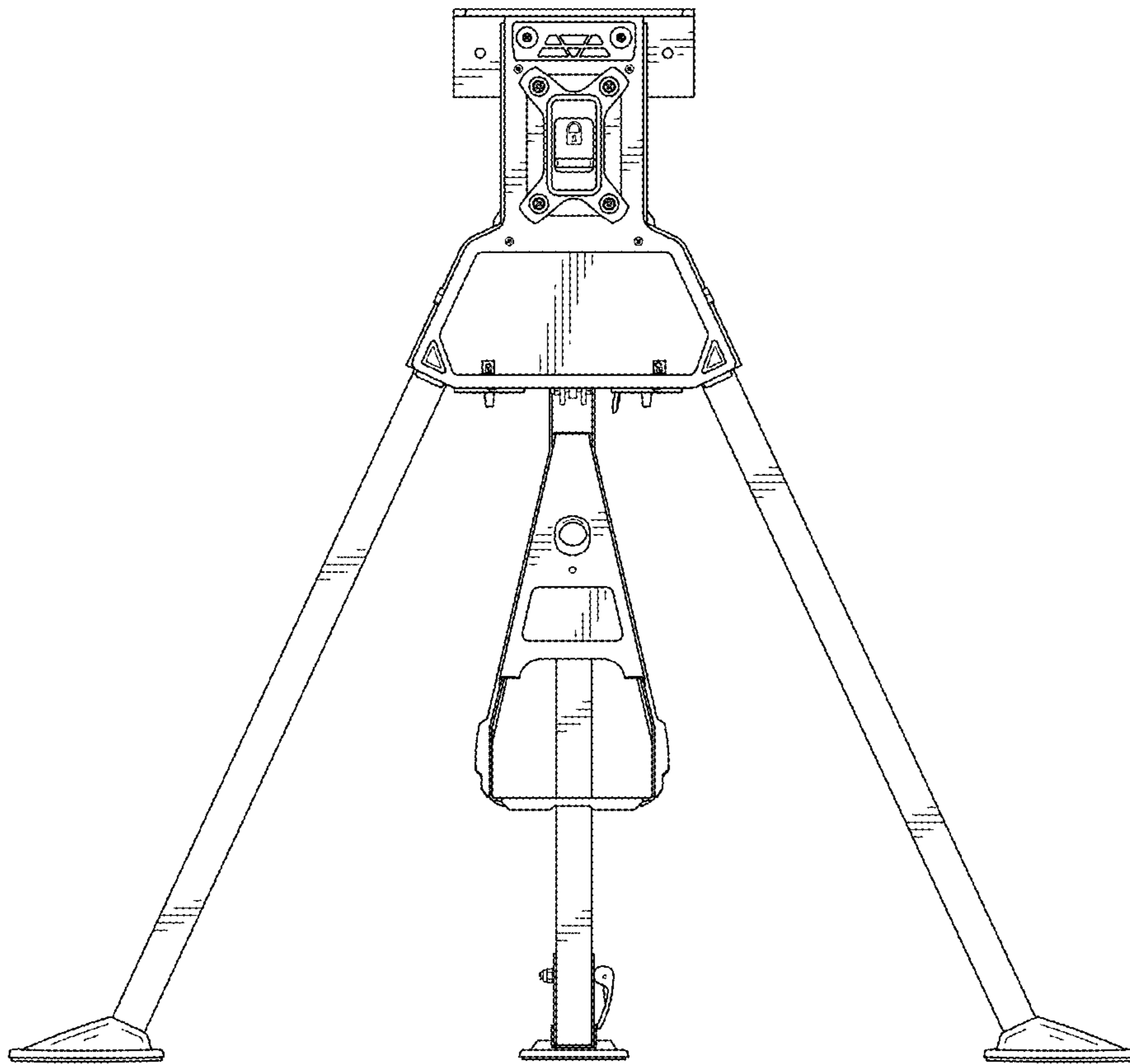


FIG. 1

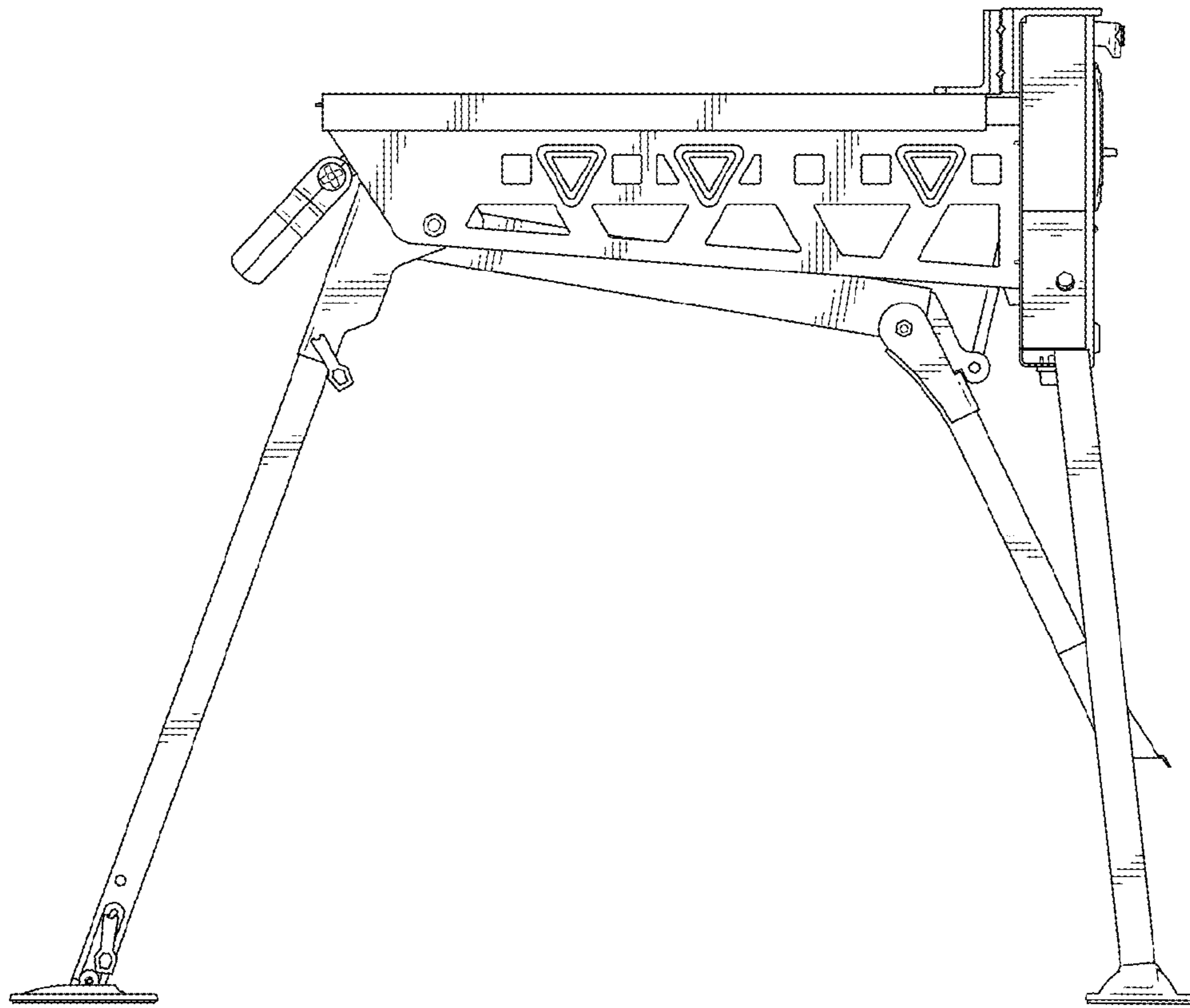


FIG. 2

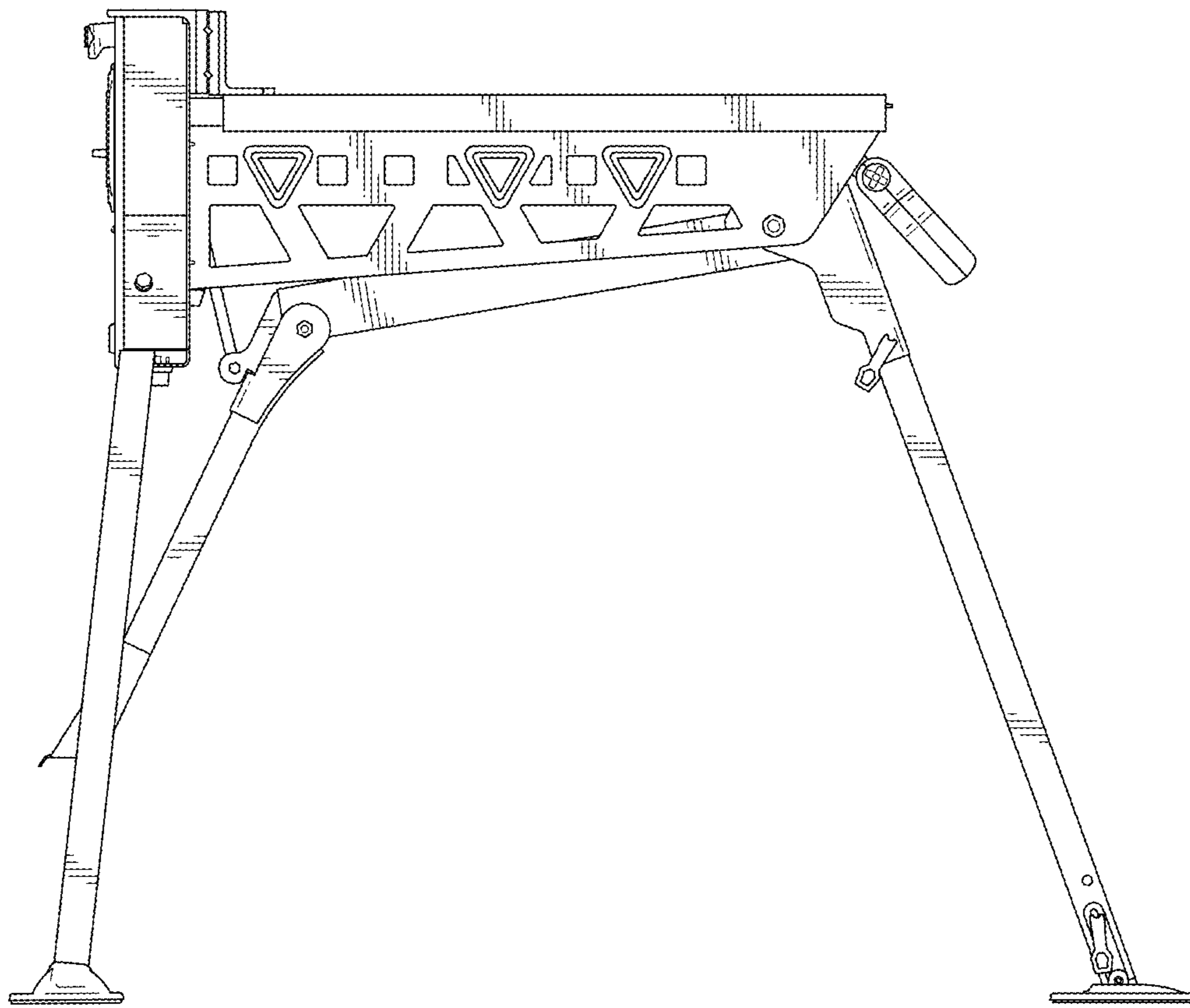


FIG. 3

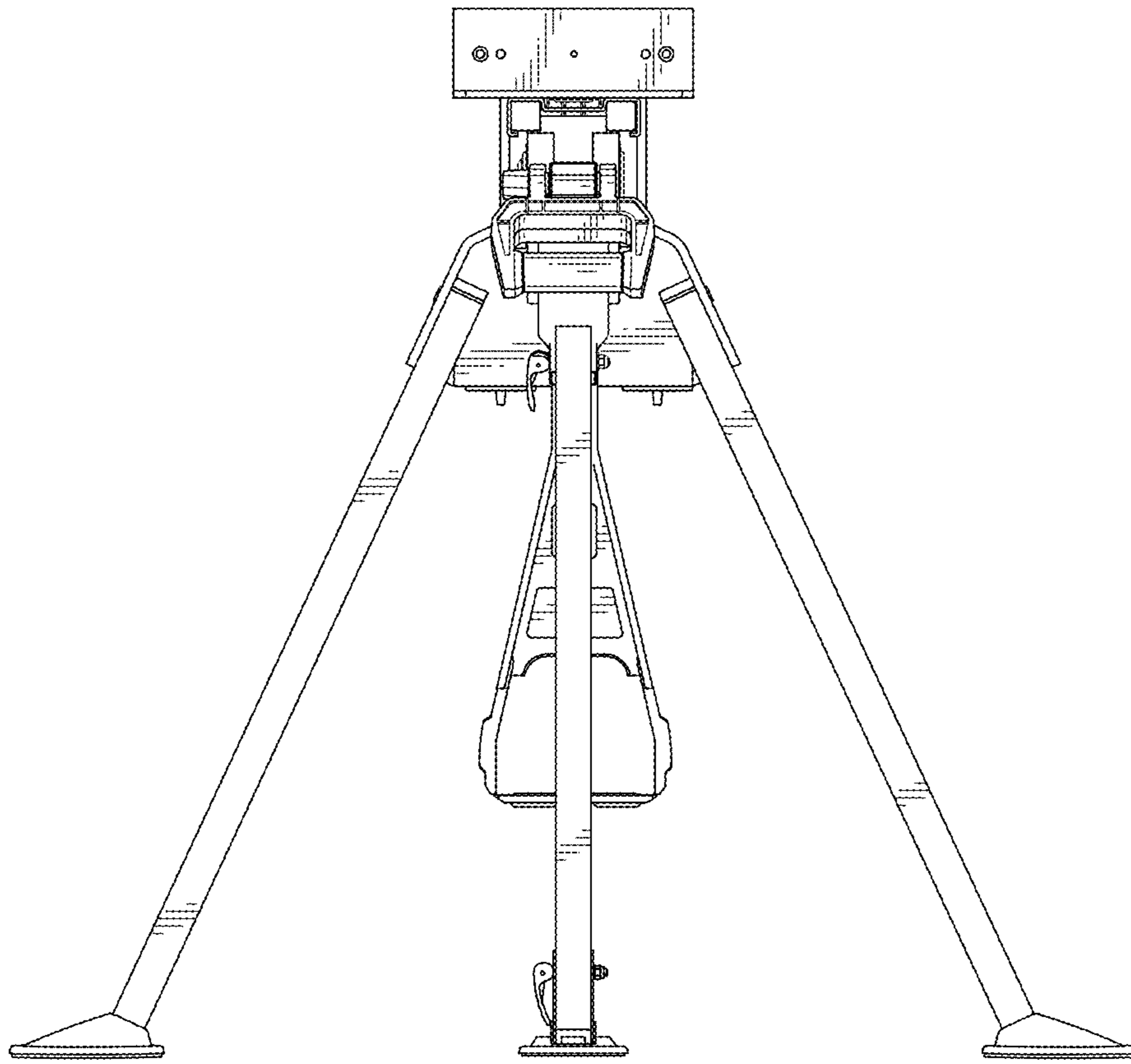


FIG. 4

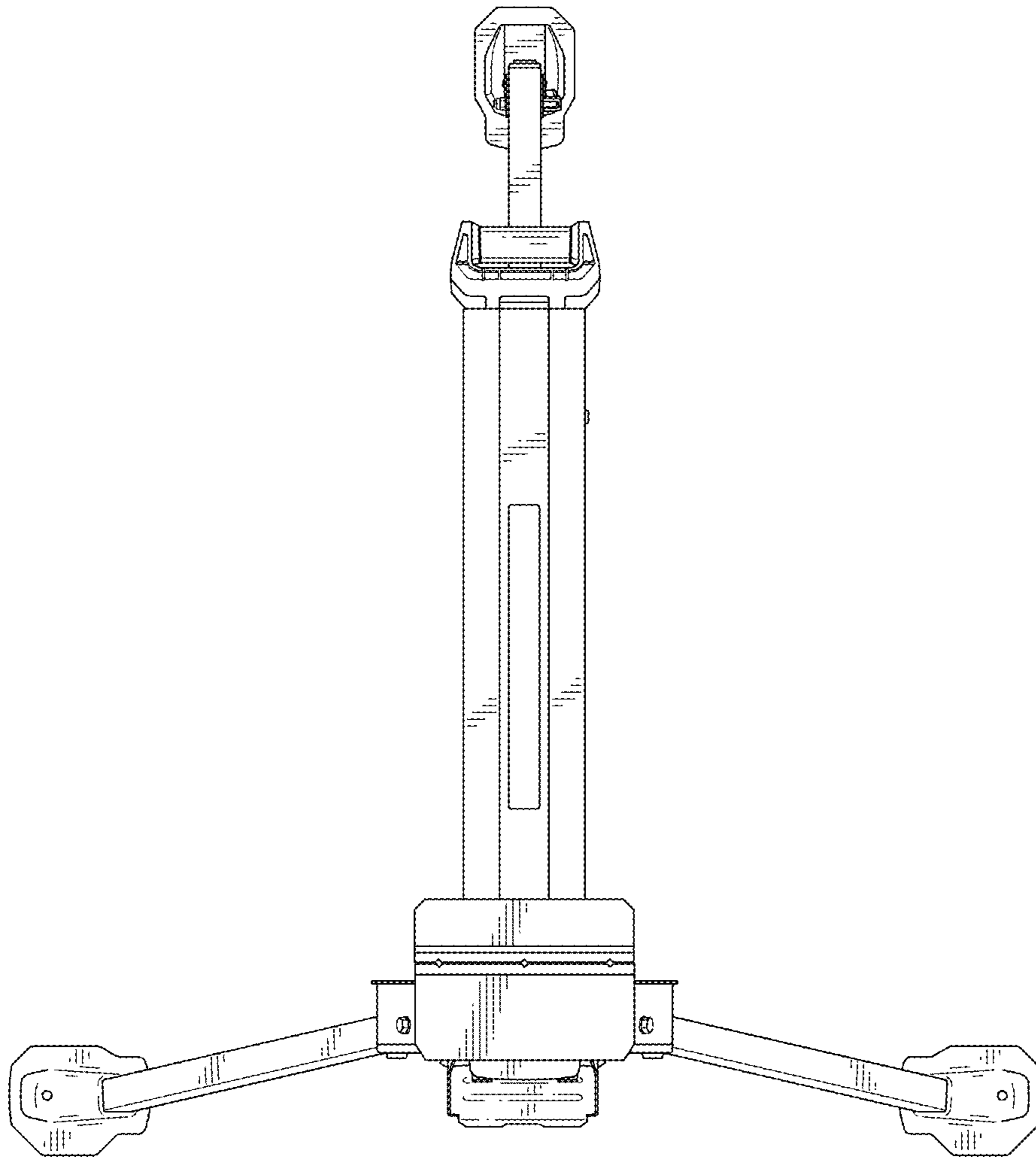


FIG. 5

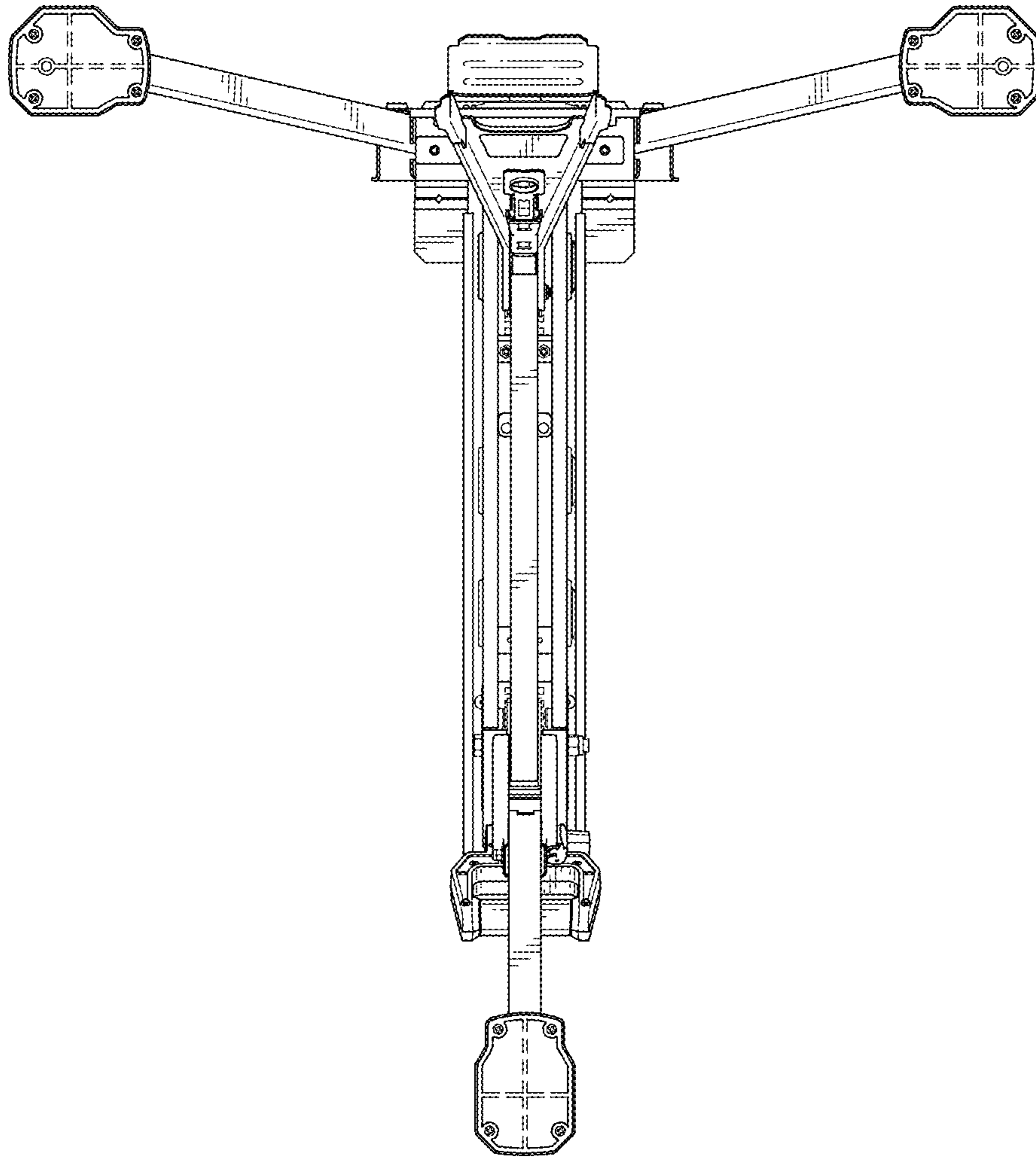


FIG. 6

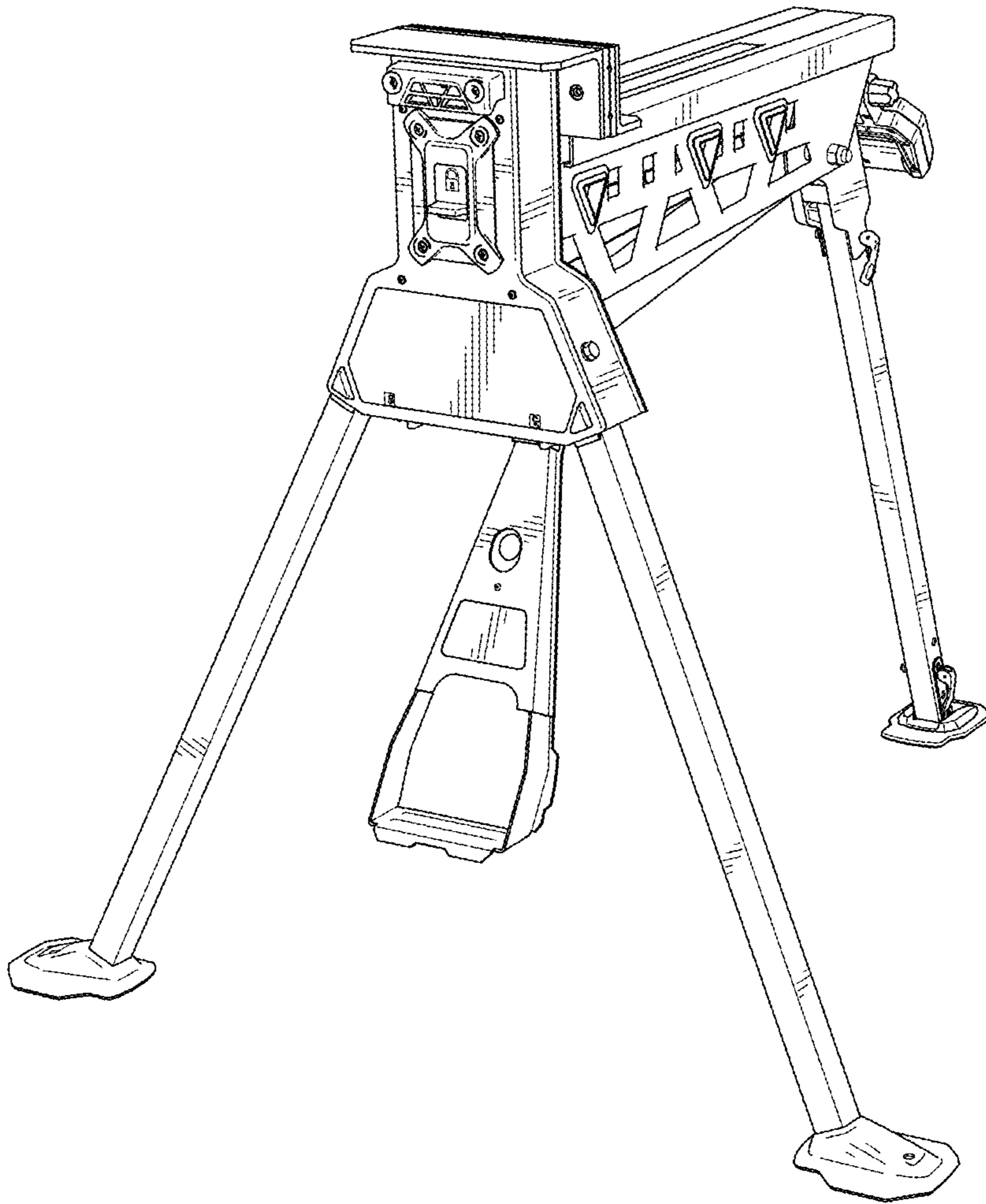


FIG. 7