



US00D705631S

(12) **United States Design Patent**  
**Waldron et al.**

(10) **Patent No.:** **US D705,631 S**  
(45) **Date of Patent:** **\*\* May 27, 2014**

(54) **TOOL HANDLE**

(71) Applicant: **Peter Hosking**, Victoria (AU)

(72) Inventors: **Michael Waldron**, North Yorkshire (GB); **John Hoggarth**, North Yorkshire (GB)

(73) Assignee: **Peter Hosking**, Melbourne (AU)

(\*\*) Term: **14 Years**

(21) Appl. No.: **29/441,266**

(22) Filed: **Jan. 3, 2013**

(30) **Foreign Application Priority Data**

Dec. 21, 2012 (EM) ..... 002158899

(51) **LOC (10) CL.** ..... **08-05**

(52) **U.S. CL.**

CPC ..... **B25G 1/102** (2013.01)

USPC ..... **D8/68; D8/107**

(58) **Field of Classification Search**

CPC ..... **B25G 1/102**

USPC ..... **D8/68, 70, 30, 107, 303; 16/110.1, 430,**

**16/444, 412; 81/469; 173/217, 218, 168,**

**173/169**

See application file for complete search history.

(56) **References Cited**

**U.S. PATENT DOCUMENTS**

D279,957 S *	8/1985	Akazawa et al.	.....	D8/61
D326,598 S *	6/1992	Sakamoto et al.	.....	D8/68
D382,457 S *	8/1997	Ghode et al.	.....	D8/68
D396,624 S *	8/1998	Basilus	.....	D8/107
D404,276 S *	1/1999	Ghode et al.	.....	D8/68
D409,467 S *	5/1999	Chung	.....	D8/68
D420,877 S *	2/2000	Schultz	.....	D8/68
D426,126 S *	6/2000	Schultz	.....	D8/68

D437,761 S *	2/2001	Okumura et al.	.....	D8/68
D461,110 S *	8/2002	Izumisawa	.....	D8/68
D467,483 S *	12/2002	Heun	.....	D8/68
6,749,028 B1 *	6/2004	Chan et al.	.....	173/170
D514,413 S *	2/2006	Cuenca et al.	.....	D8/68
D520,835 S *	5/2006	Aglassinger	.....	D8/68
D536,943 S *	2/2007	Tsai et al.	.....	D8/68
D536,944 S *	2/2007	Tsai et al.	.....	D8/68
D548,557 S *	8/2007	Waldron	.....	D8/68
D560,990 S *	2/2008	Aglassinger	.....	D8/68
D582,237 S *	12/2008	Chen	.....	D8/68
D609,544 S *	2/2010	Lopano et al.	.....	D8/68
D610,422 S *	2/2010	Houghton	.....	D8/68
D616,717 S *	6/2010	Yaschur	.....	D8/68
D617,621 S *	6/2010	Houghton et al.	.....	D8/68

(Continued)

**OTHER PUBLICATIONS**

U.S. Appl. No. 29/441,267, filed Jan. 3, 2013, Waldron et al.

(Continued)

*Primary Examiner* — Paula Greene

(74) *Attorney, Agent, or Firm* — Sheridan Ross P.C.

(57)

**CLAIM**

The ornamental design for a tool handle, as shown and described.

**DESCRIPTION**

FIG. 1 is a perspective view of the tool handle shown associated with a drill;

FIG. 2 is a perspective view of the tool handle;

FIG. 3 is a right elevation view thereof;

FIG. 4 is a left elevation view thereof;

FIG. 5 is a front elevation view thereof;

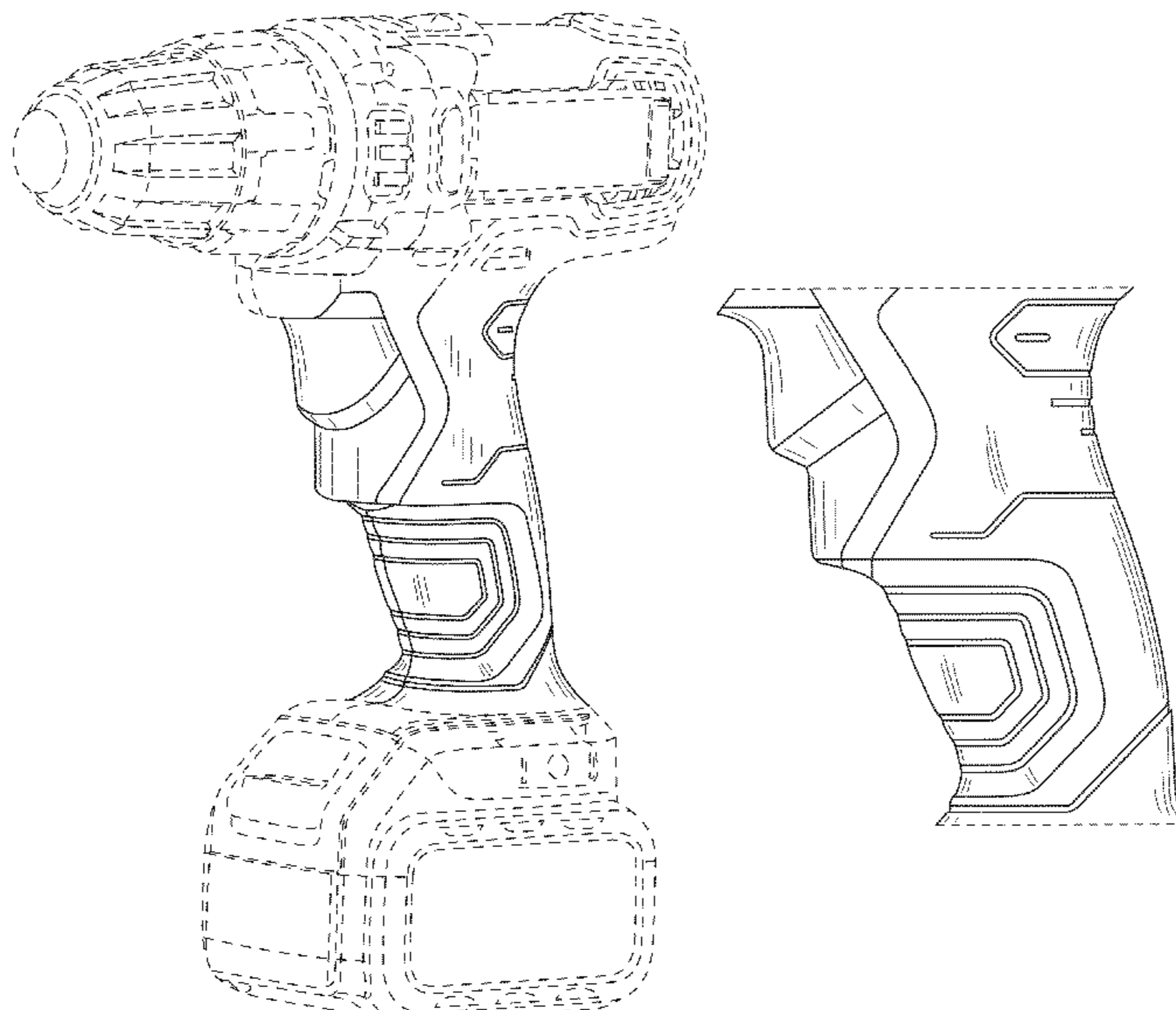
FIG. 6 is a rear elevation view thereof;

FIG. 7 is a bottom plan view thereof; and,

FIG. 8 is a top plan view thereof.

The broken lines make up no portion of the claimed design.

**1 Claim, 8 Drawing Sheets**



(56)

**References Cited**

U.S. PATENT DOCUMENTS

D617,622 S \* 6/2010 Lopano ..... D8/68  
7,766,097 B2 \* 8/2010 Kondo ..... 173/217  
D628,038 S \* 11/2010 Aoki et al. .... D8/68  
D656,804 S \* 4/2012 Murray ..... D8/68  
8,348,120 B2 \* 1/2013 Wei ..... 227/147

D689,355 S \* 9/2013 Miller ..... D8/68  
8,534,375 B2 \* 9/2013 Matsumoto et al. .... 173/171  
2006/0175069 A1 \* 8/2006 Sakakibara et al. .... 173/217

OTHER PUBLICATIONS

U.S. Appl. No. 29/441,268, filed Jan. 3, 2013, Waldron et al.

\* cited by examiner

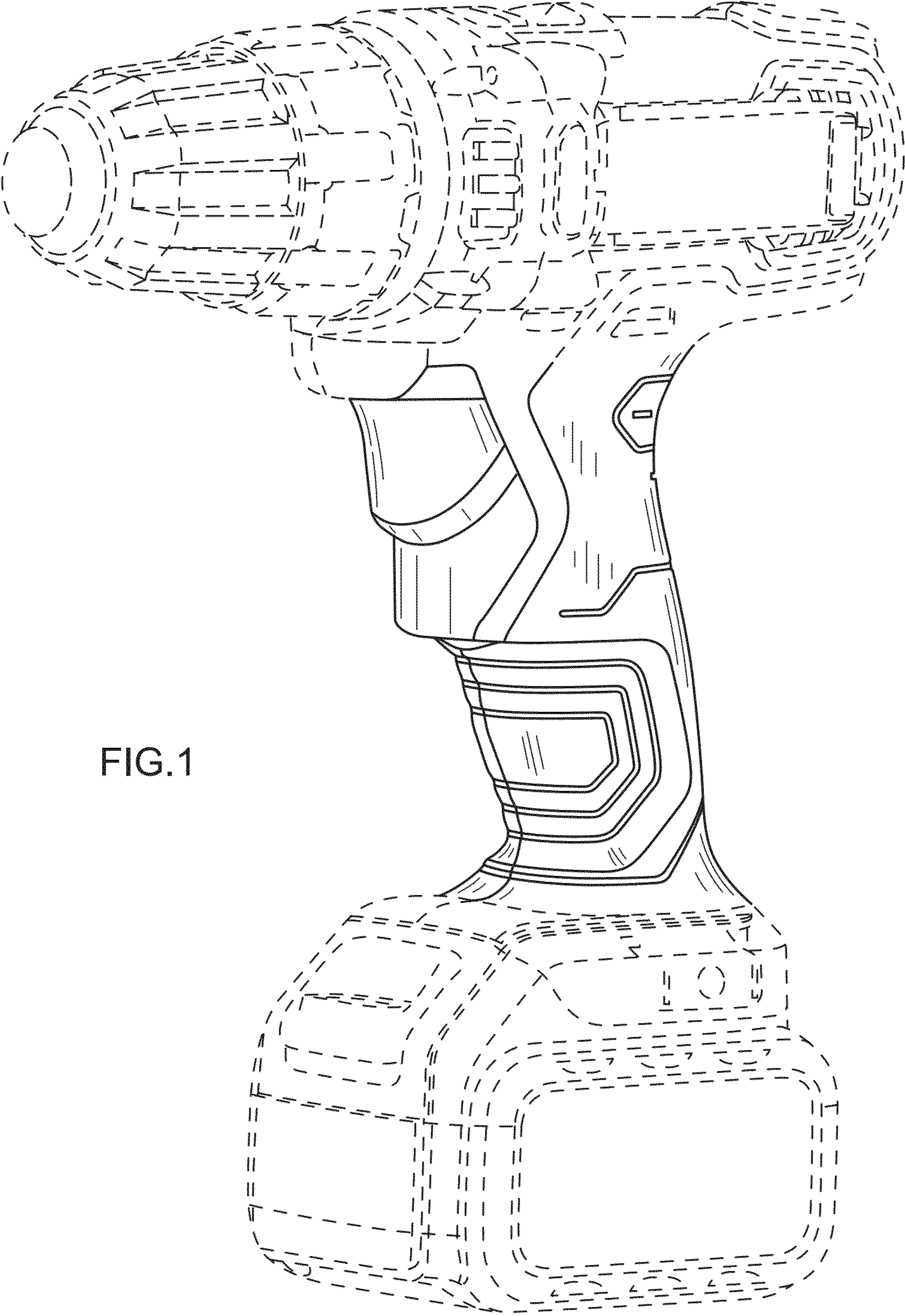


FIG. 1

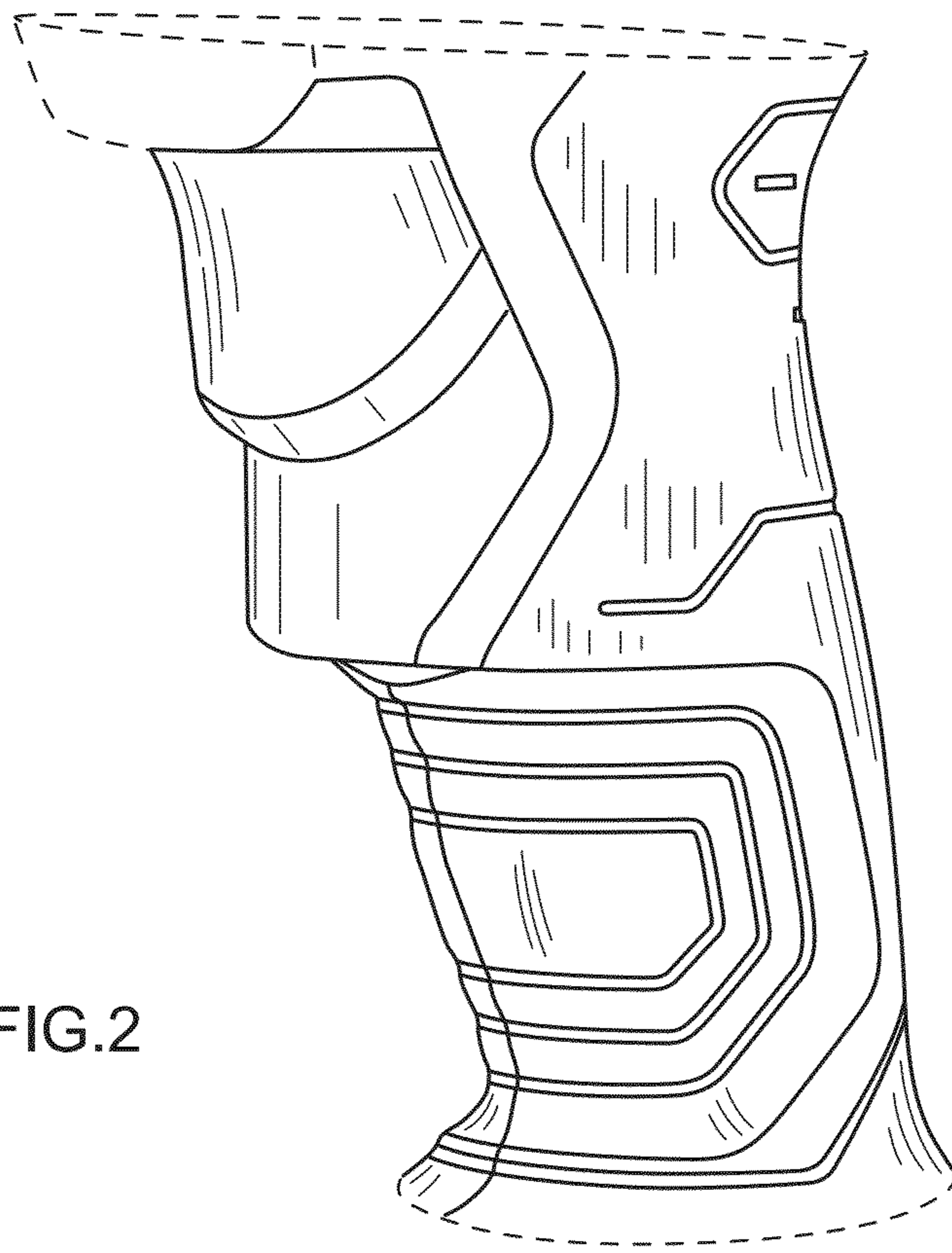


FIG.2

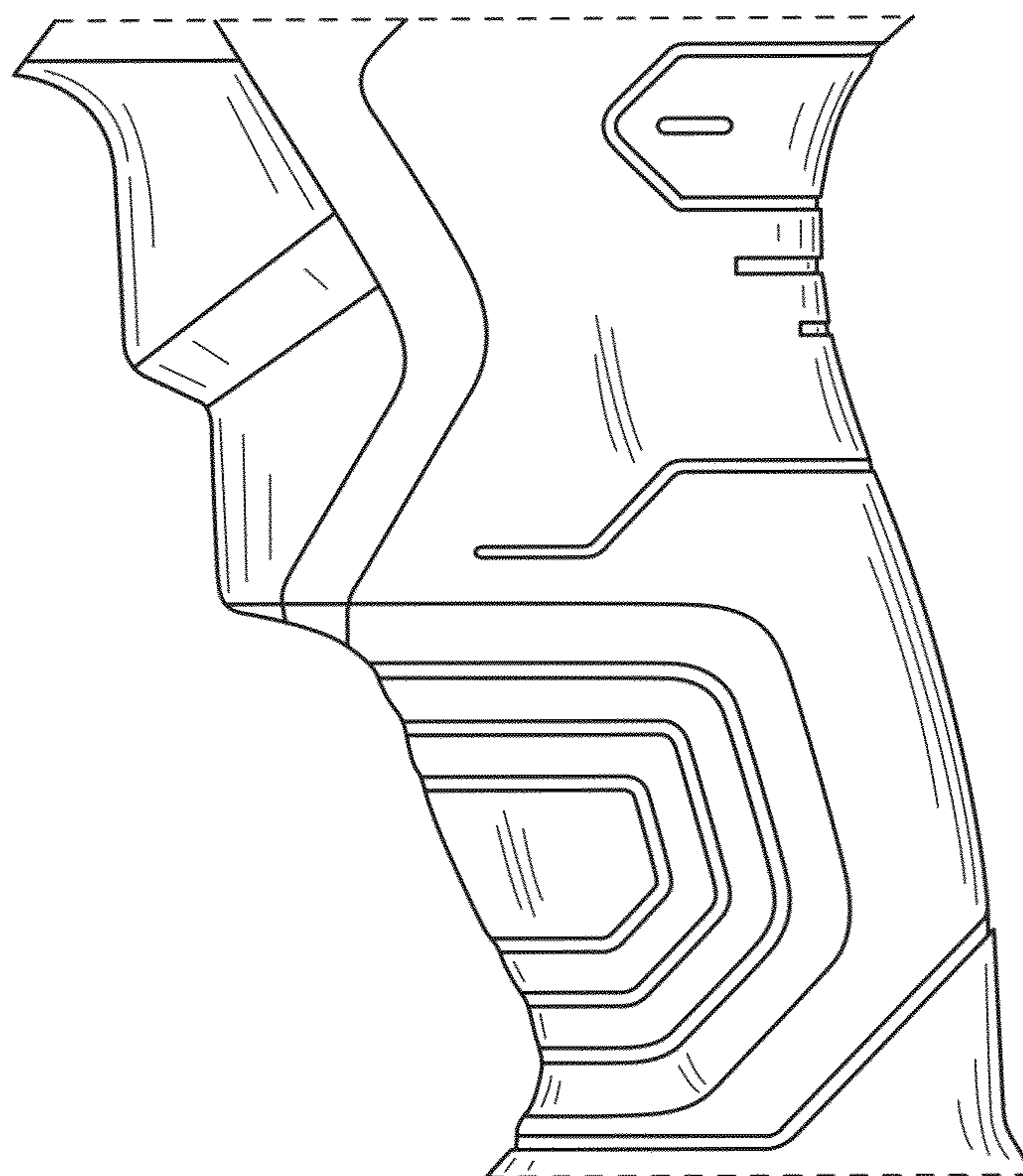


FIG.3

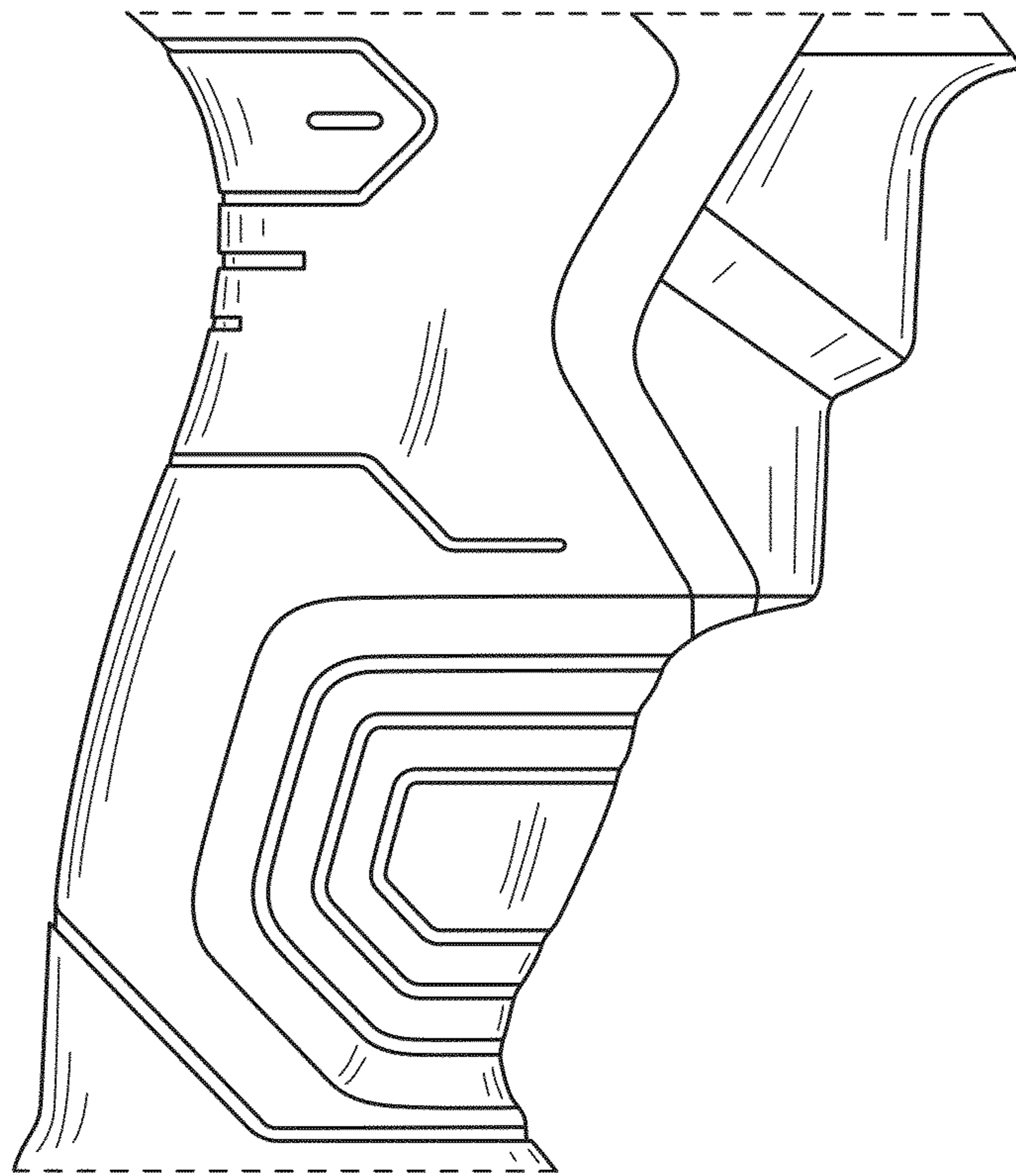


FIG.4

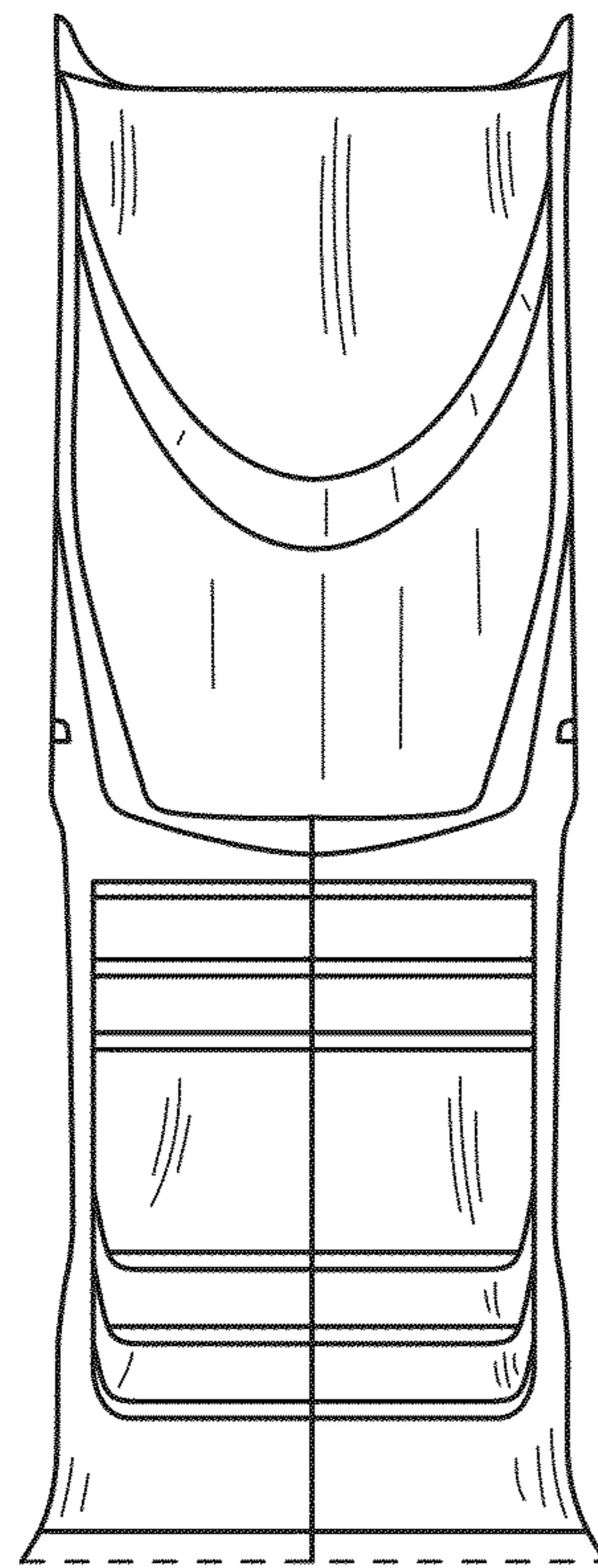


FIG.5

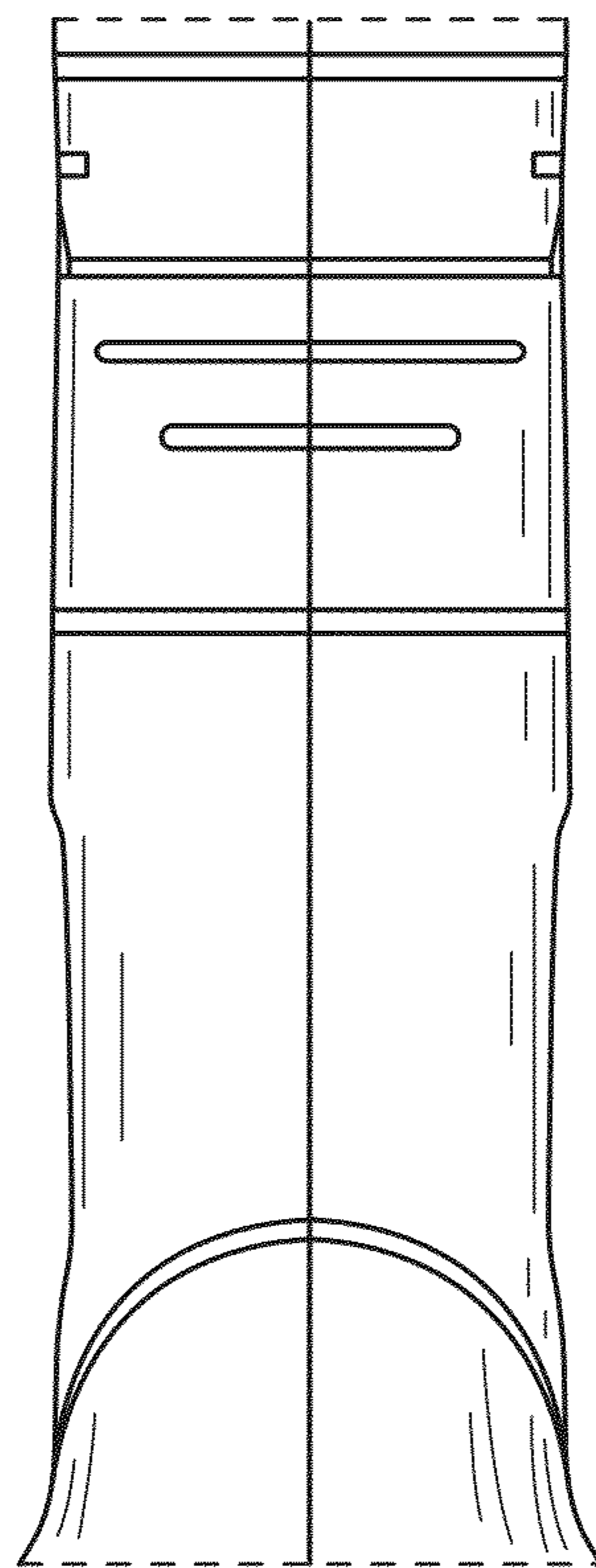


FIG.6



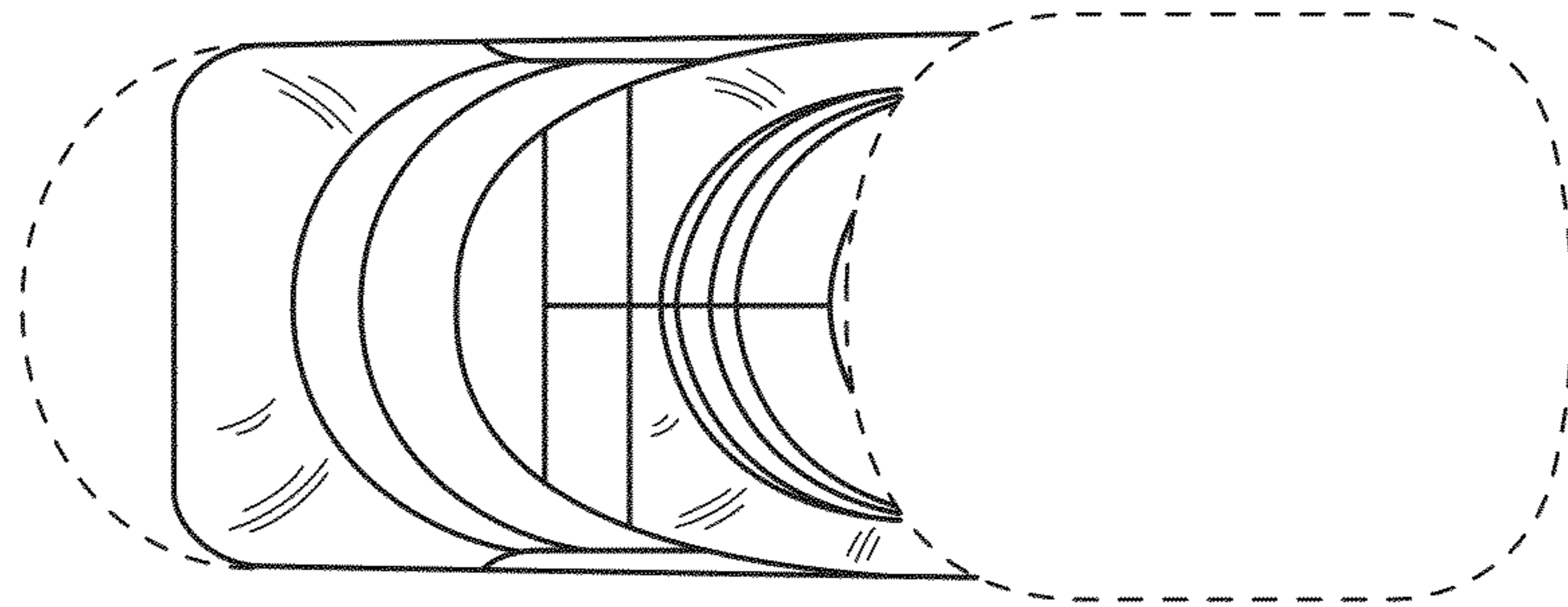


FIG.7

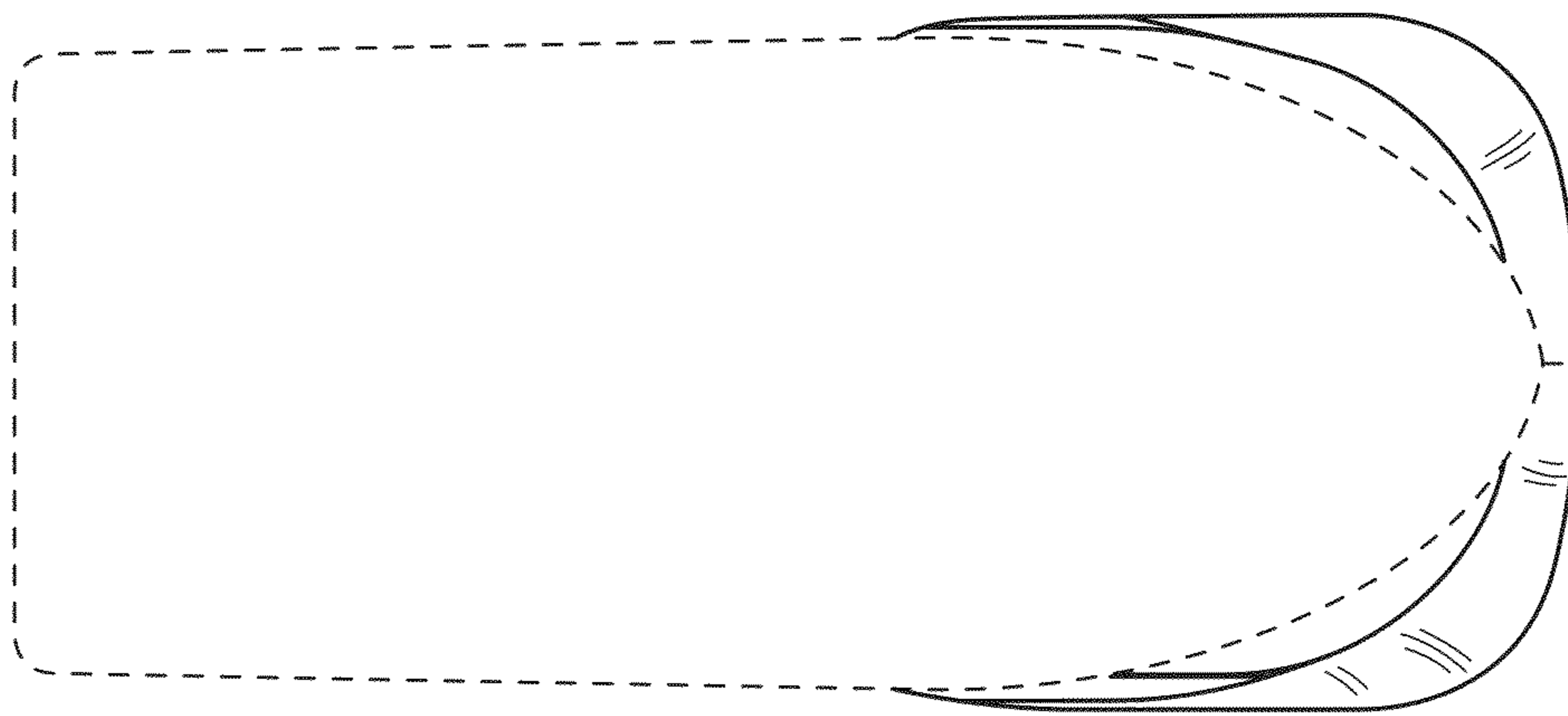


FIG.8