



US00D705630S

(12) **United States Design Patent**
Patel et al.

(10) **Patent No.:** **US D705,630 S**

(45) **Date of Patent:** **** May 27, 2014**

(54) **POWER TOOL**

(71) Applicants: **Robert Bosch Tool Corporation**,
Broadview, IL (US); **Robert Bosch**
GmbH, Stuttgart (DE)

(72) Inventors: **Mallika Patel**, Des Plaines, IL (US);
Miroslav Vuckovic, Skokie, IL (US)

(73) Assignee: **Robert Bosch GmbH**, Stuttgart (DE)

(**) Term: **14 Years**

(21) Appl. No.: **29/436,943**

(22) Filed: **Nov. 9, 2012**

(51) **LOC (10) Cl.** **08-03**

(52) **U.S. Cl.**
USPC **D8/68**

(58) **Field of Classification Search**
USPC D8/61, 68; 173/46, 132, 170, 171, 178,
173/217; 408/67, 117, 124, 125; 475/149;
29/243.526; 72/114, 391.8
See application file for complete search history.

(56) **References Cited**

U.S. PATENT DOCUMENTS

D345,682 S *	4/1994	Sasaki et al.	D8/68
D476,544 S *	7/2003	Ghode et al.	D8/68
D484,384 S *	12/2003	Ghode et al.	D8/68
D520,835 S *	5/2006	Aglassinger	D8/68
D524,135 S *	7/2006	Happ et al.	D8/68
D532,666 S *	11/2006	Chi	D8/68
D605,486 S *	12/2009	Aglassinger	D8/68
D605,487 S *	12/2009	Aglassinger	D8/68
D650,652 S *	12/2011	Aglassinger	D8/68
D676,730 S *	2/2013	Kubono et al.	D8/68

2011/0011610 A1 *	1/2011	Welke et al.	173/217
2011/0147021 A1 *	6/2011	Schaal et al.	173/47
2012/0241183 A1 *	9/2012	Li	173/48

OTHER PUBLICATIONS

Lithium-ion cordless screwdriver—PSR Select—The right bit. Always at hand. Website [online]. <http://www.bosch-do-it.de>, Apr. 11, 2012 [retrieved on Jul. 31, 2013]. Retrieved from the Internet: <URL: http://www.bosch-do-it.de/media/media/garden/gardenmedia/leaflets/539128_eng-17_PSR_Select_Leaflet_RZpdf.pdf>.*

* cited by examiner

Primary Examiner — Philip S Hyder

Assistant Examiner — Darlington Ly

(74) *Attorney, Agent, or Firm* — Maginot, Moore & Beck

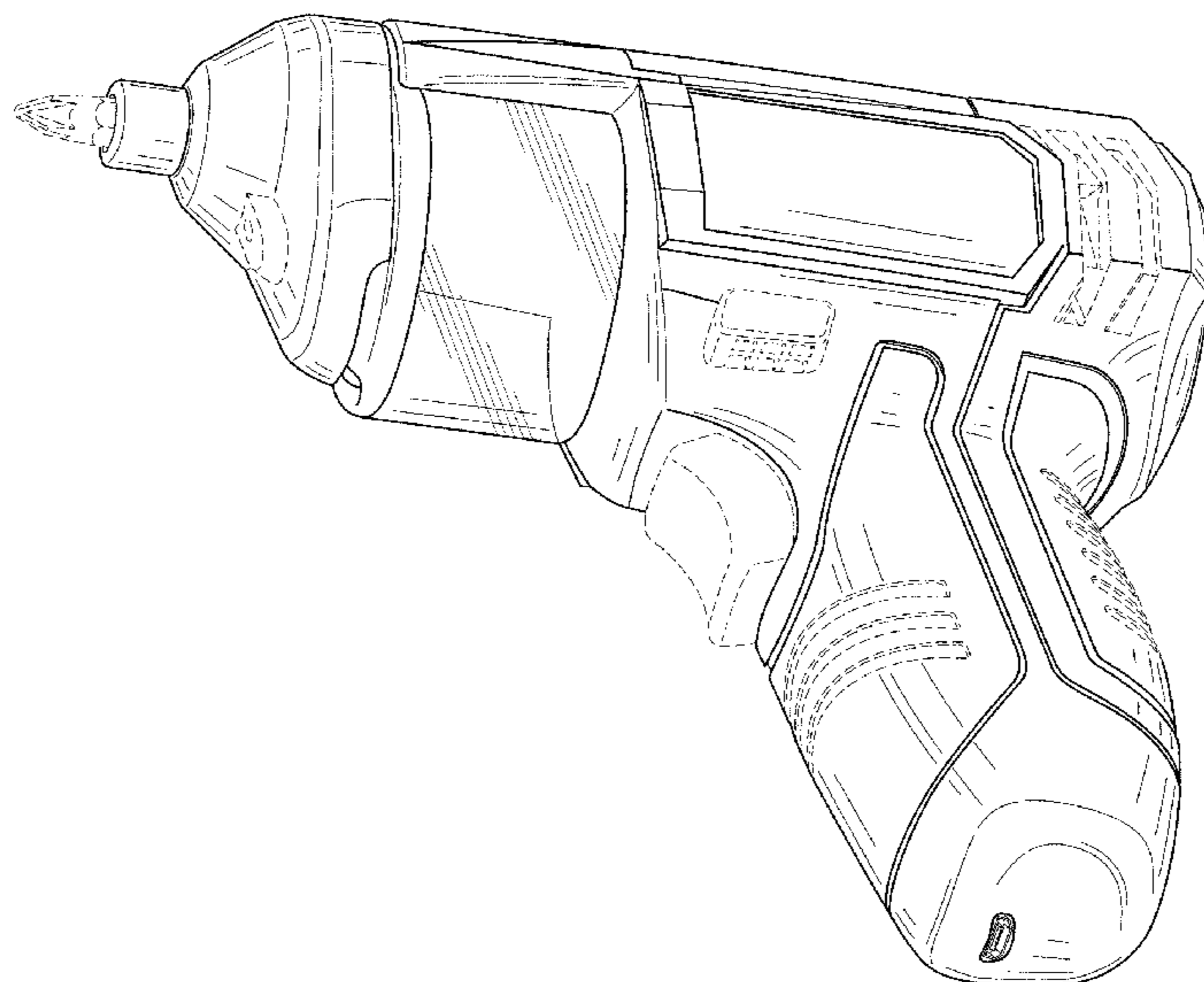
(57) **CLAIM**

The ornamental design for a power tool, as shown and described.

DESCRIPTION

FIG. 1 is a right side perspective view of a power tool showing our new design;
FIG. 2 is a right side elevational view showing the design for the power tool of FIG. 1;
FIG. 3 is a left side elevational view showing the design for the power tool FIG. 1;
FIG. 4 is a front elevational view showing the design for the power tool of FIG. 1;
FIG. 5 is a rear elevational view showing the design for the power tool of FIG. 1;
FIG. 6 is a top plan view showing the design for the power tool of FIG. 1; and,
FIG. 7 is a bottom plan view showing the design for the power tool of FIG. 1.
The broken lines shown in the drawings illustrate portions of the power tool that form no part of the claimed design.

1 Claim, 7 Drawing Sheets



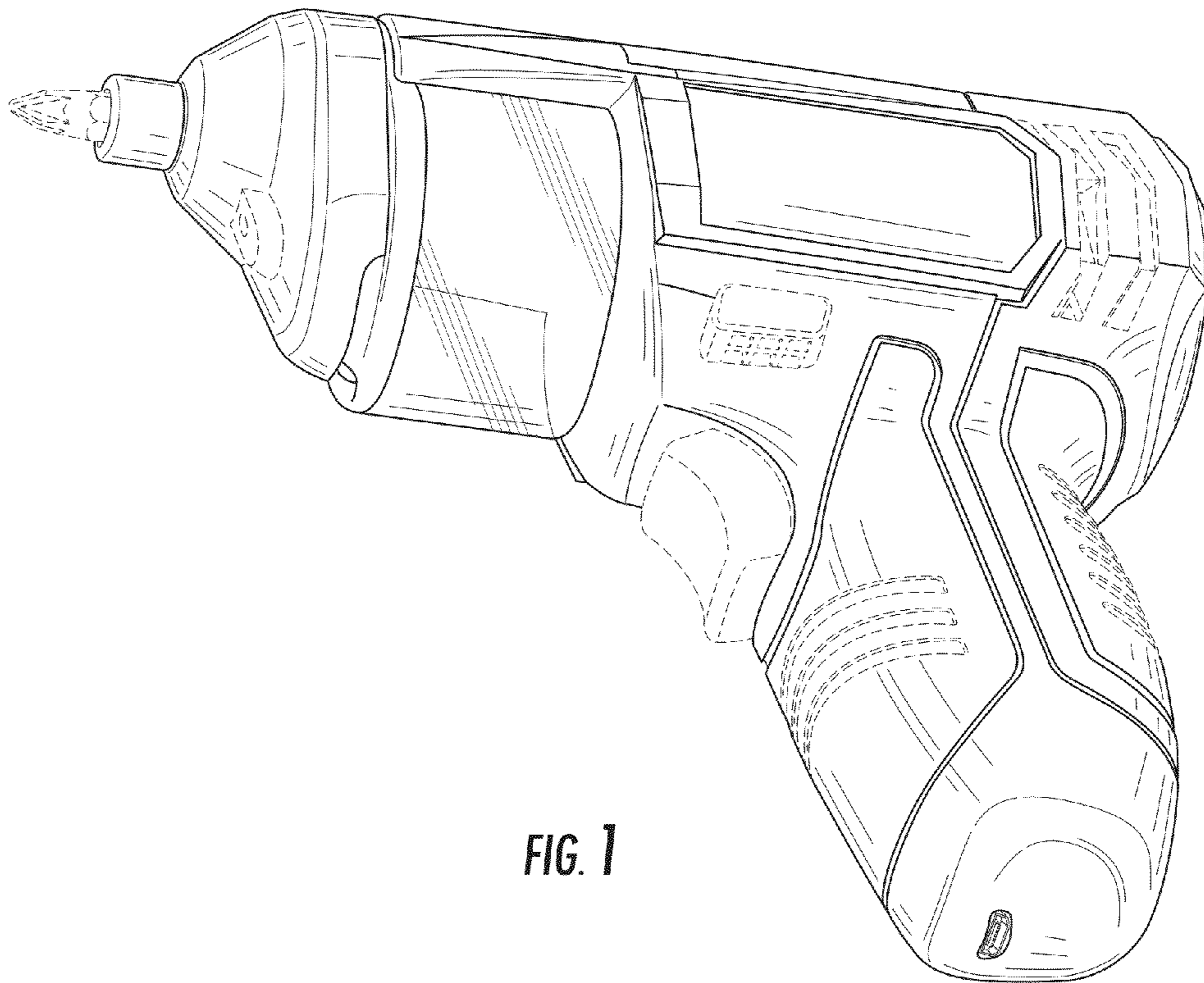


FIG. 1

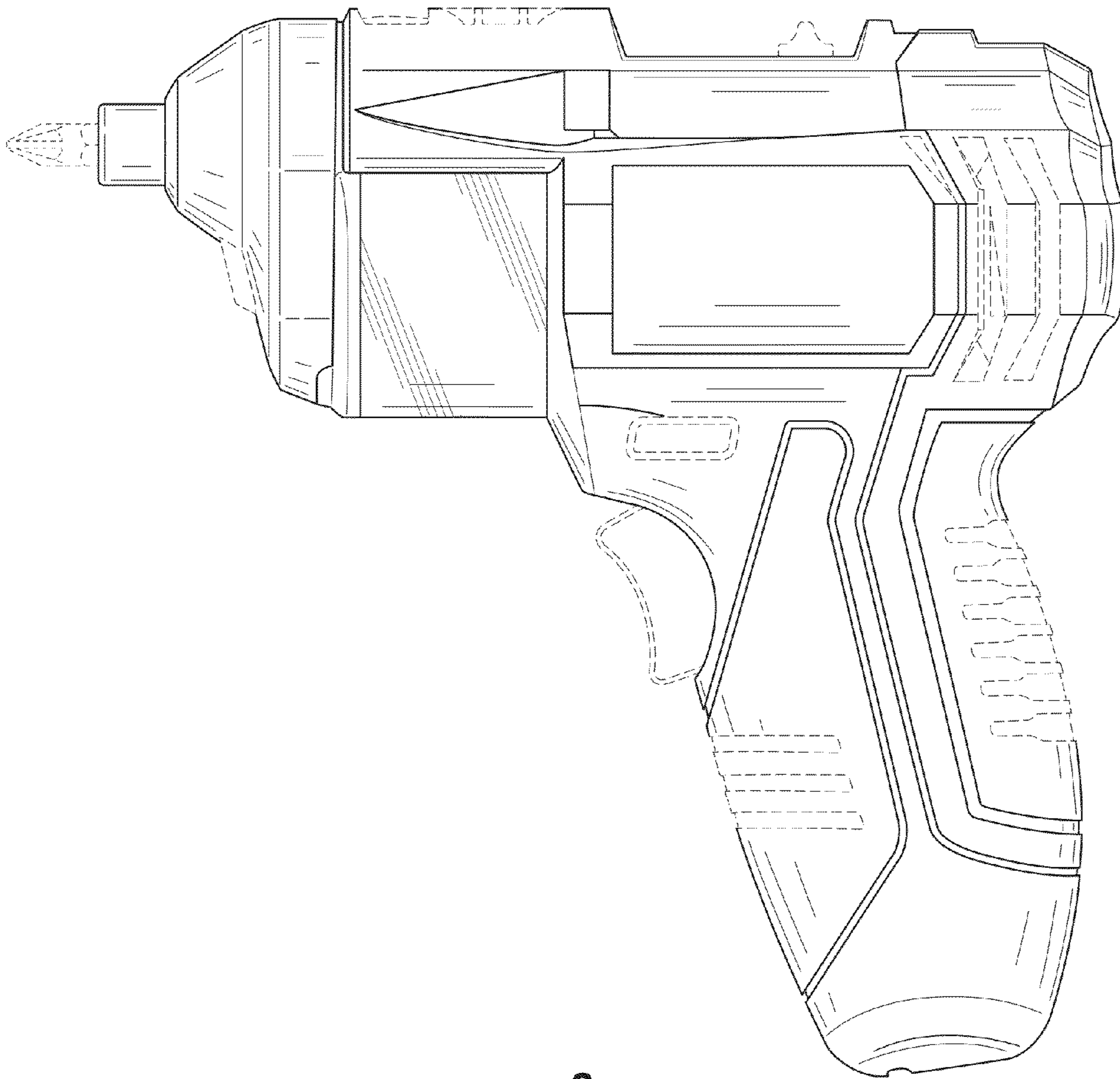


FIG. 2

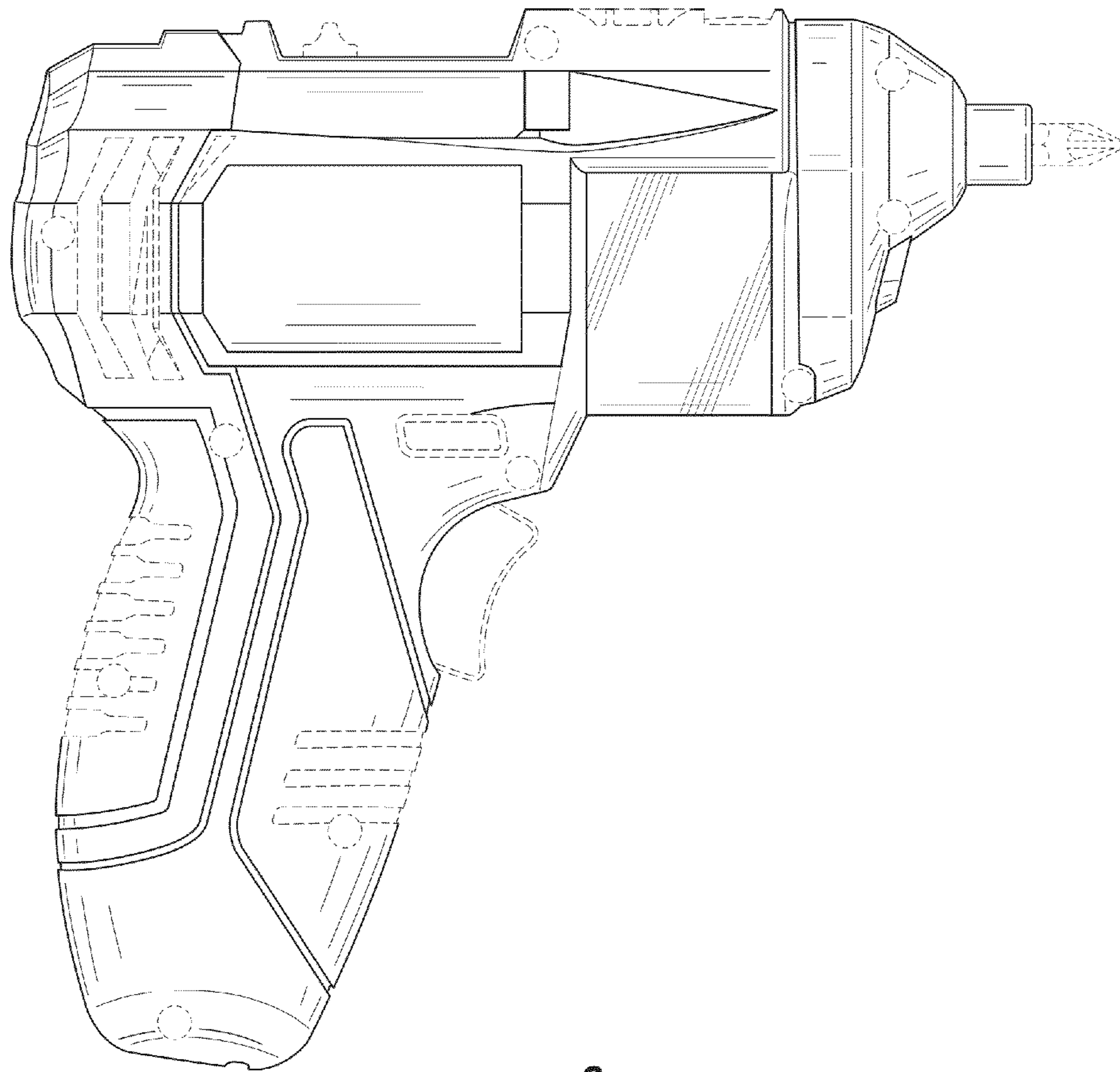


FIG. 3

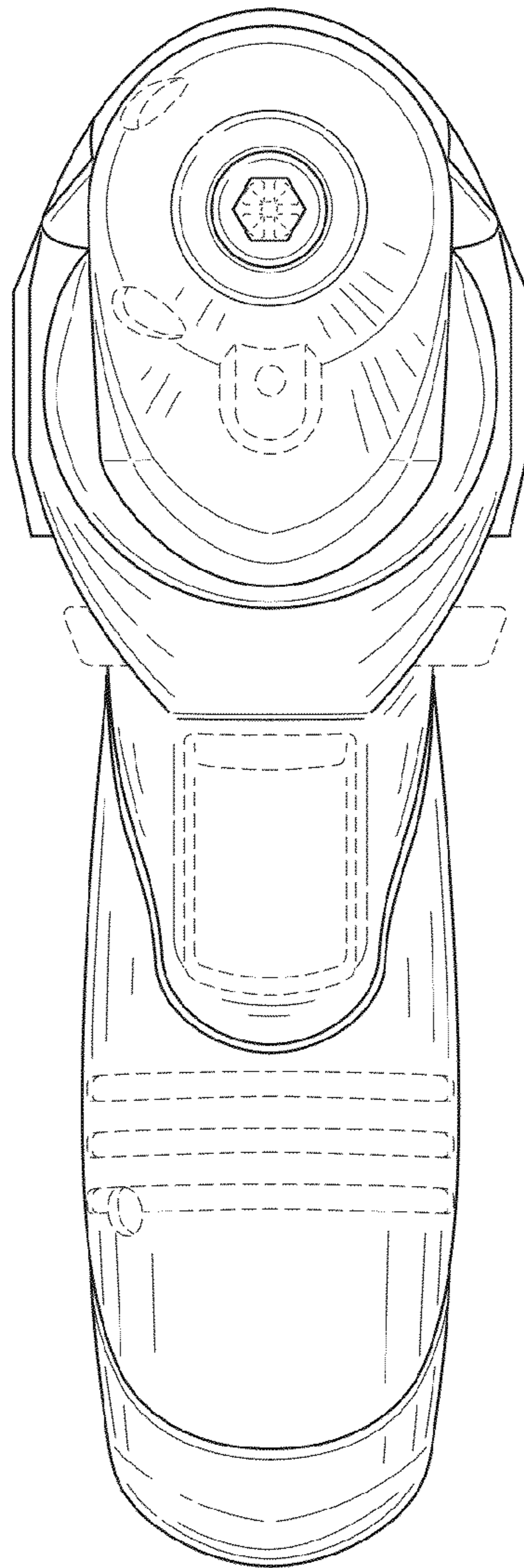


FIG. 4

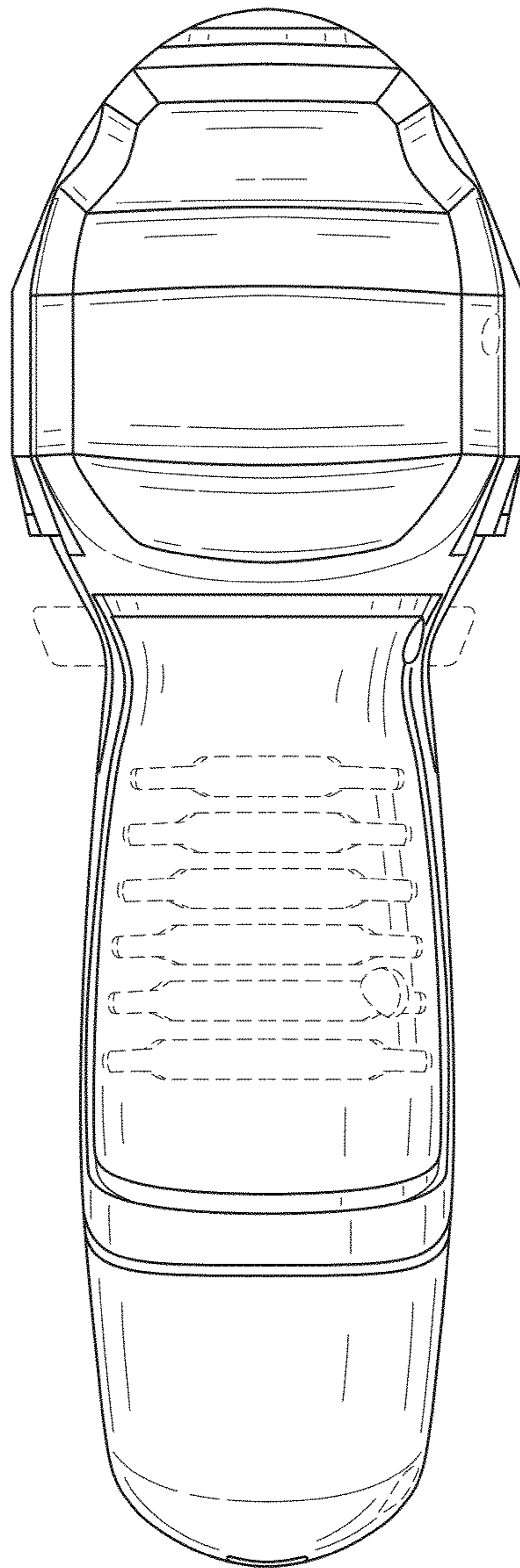


FIG. 5

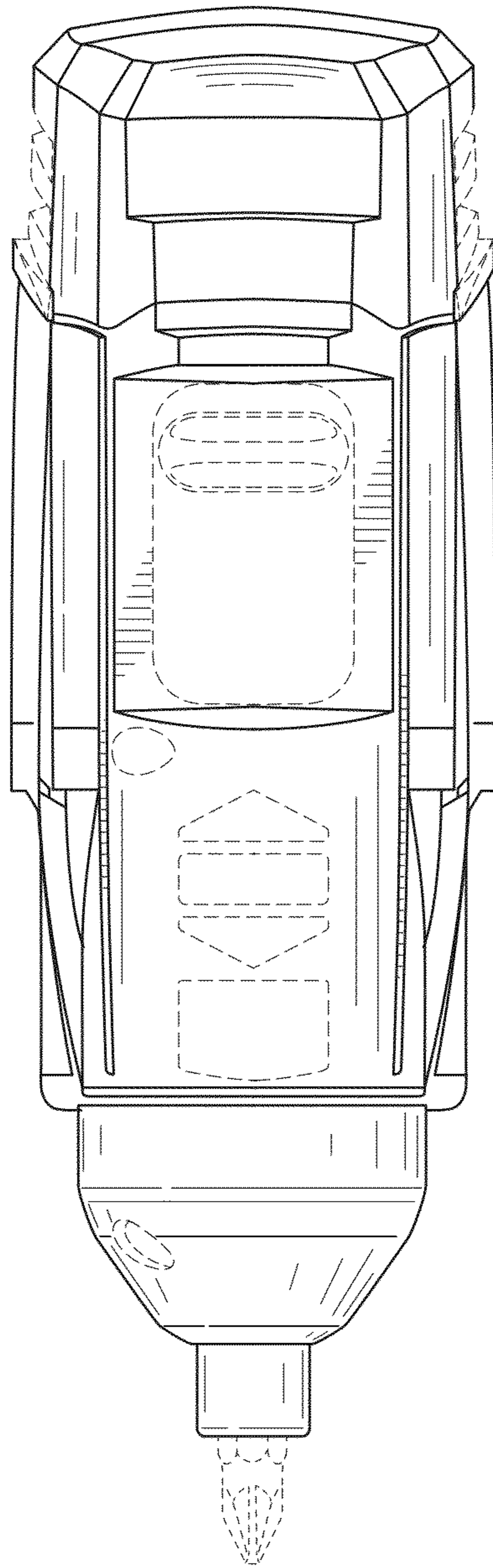


FIG. 6

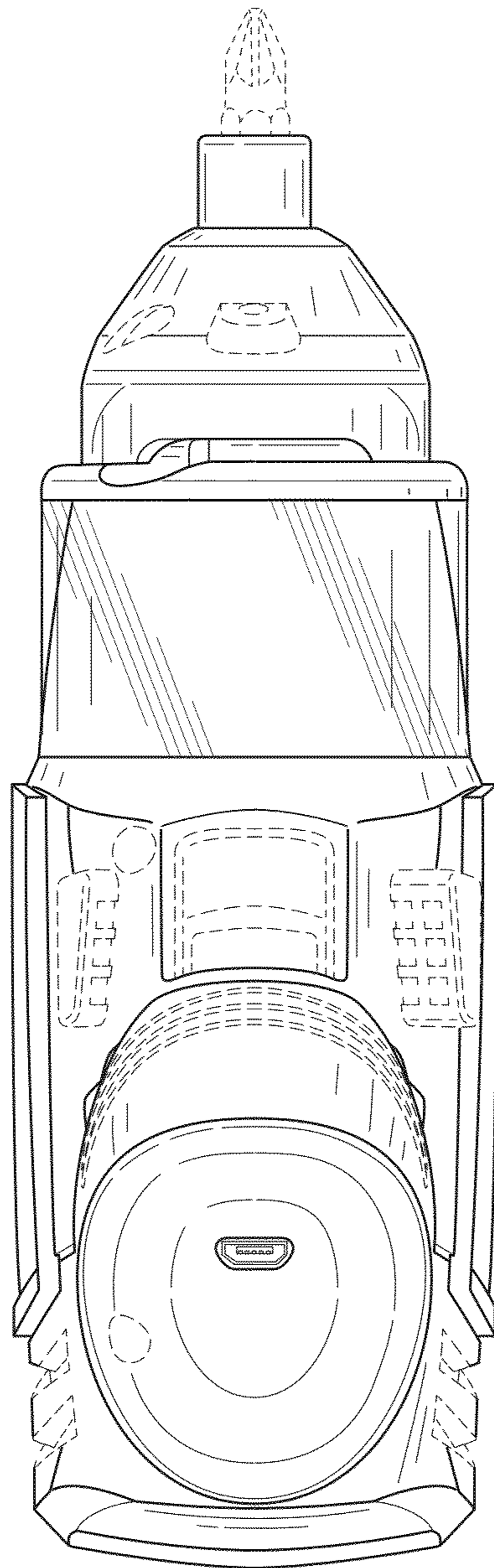


FIG. 7