



US00D705629S

(12) **United States Design Patent**  
**Schoch**

(10) **Patent No.:** **US D705,629 S**

(45) **Date of Patent:** **\*\* May 27, 2014**

(54) **CIRCULAR SAW**

(71) Applicant: **Black & Decker Inc.**, Newark (DE)

(72) Inventor: **Robert B. Schoch**, Baltimore, MD (US)

(73) Assignee: **Black & Decker Inc.**, Newark, DE (US)

(\*\*) Term: **14 Years**

(21) Appl. No.: **29/471,032**

(22) Filed: **Oct. 28, 2013**

(51) **LOC (10) Cl.** ..... **08-03**

(52) **U.S. Cl.**  
USPC ..... **D8/66**

(58) **Field of Classification Search**  
USPC ..... D8/69, 68, 67, 66, 64, 61, 70;  
83/698.41, 747, 166.3, 374, 373, 375,  
83/376, 391, 377, 390, 388, 389;  
125/13.01; 144/218  
See application file for complete search history.

(56) **References Cited**

**U.S. PATENT DOCUMENTS**

4,870,758 A \* 10/1989 Fushiya ..... 30/388  
D315,854 S \* 4/1991 Kawakami et al. .... D8/66  
D502,373 S \* 3/2005 Wu ..... D8/66

D504,297 S \* 4/2005 Tillman et al. .... D8/66  
D528,390 S \* 9/2006 Waldron ..... D8/66  
D559,645 S \* 1/2008 Okuda et al. .... D8/66  
D567,612 S \* 4/2008 Wright et al. .... D8/66  
D631,718 S \* 2/2011 Aglassinger ..... D8/66  
D638,681 S \* 5/2011 Yamada et al. .... D8/66  
7,941,929 B2 \* 5/2011 Miklosz et al. .... 30/388  
D654,340 S \* 2/2012 Kawase et al. .... D8/66  
2004/0107584 A1 \* 6/2004 Yoshida et al. .... 30/391

\* cited by examiner

*Primary Examiner* — Austin Murphy

(74) *Attorney, Agent, or Firm* — Stephen R. Valancius

(57) **CLAIM**

The ornamental design for a circular saw, as shown and described.

**DESCRIPTION**

FIG. 1 is a perspective view of a circular saw showing my new design;

FIG. 2 is a front view thereof

FIG. 3 is a rear view thereof;

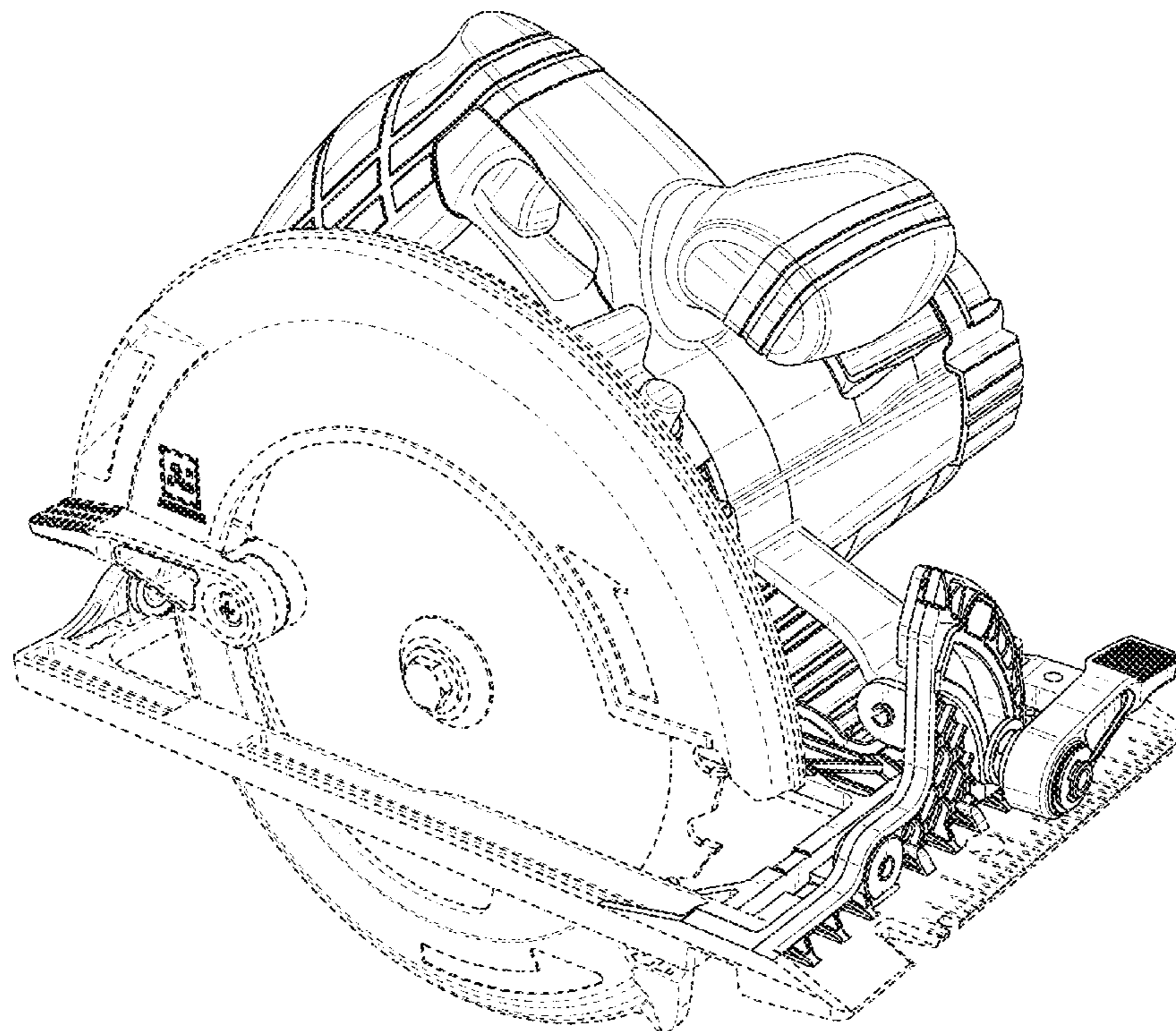
FIG. 4 is a right side view thereof;

FIG. 5 is a left side view thereof;

FIG. 6 is a top plan view thereof; and,

FIG. 7 is a bottom plan view thereof.

**1 Claim, 7 Drawing Sheets**



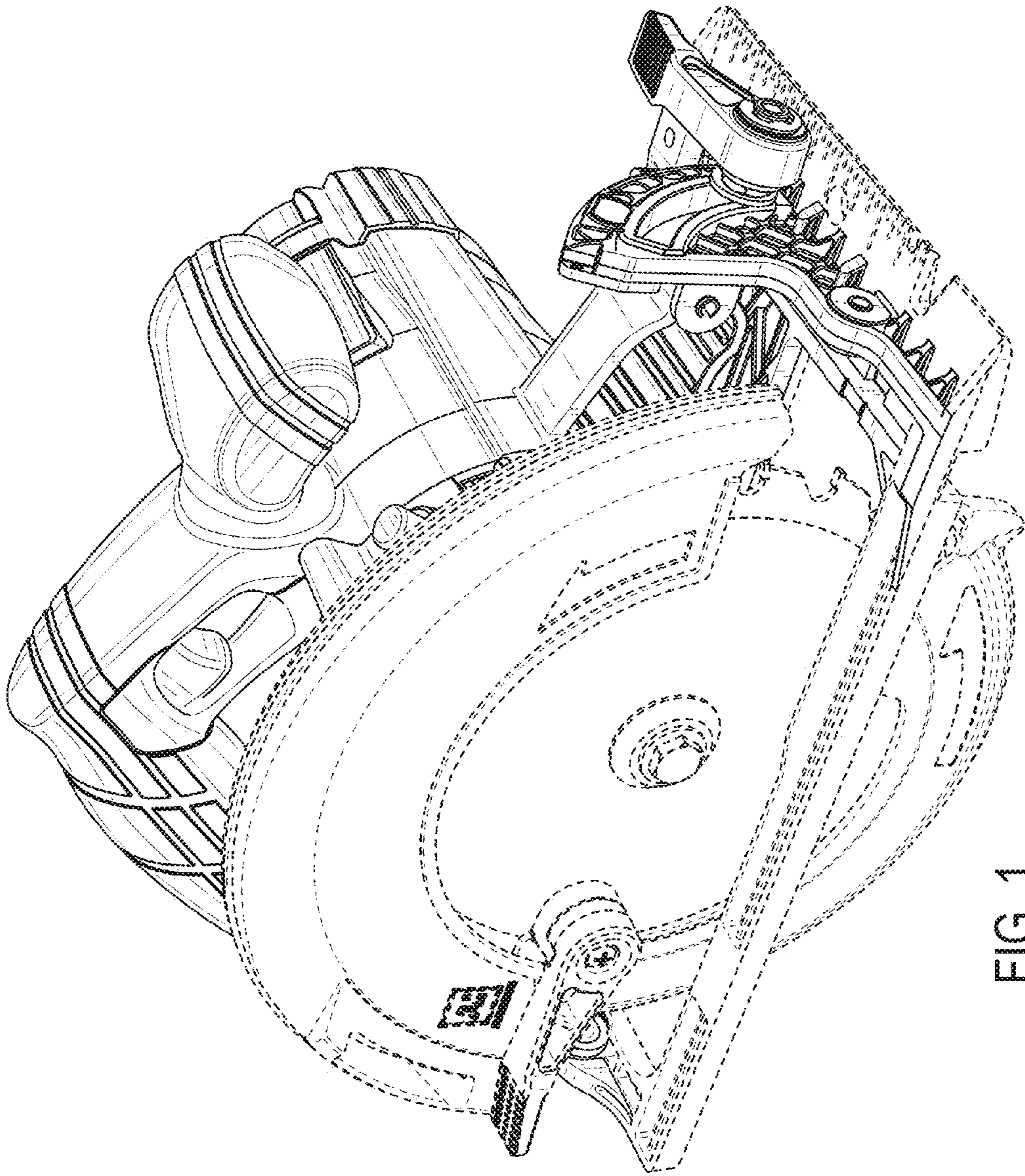


FIG. 1

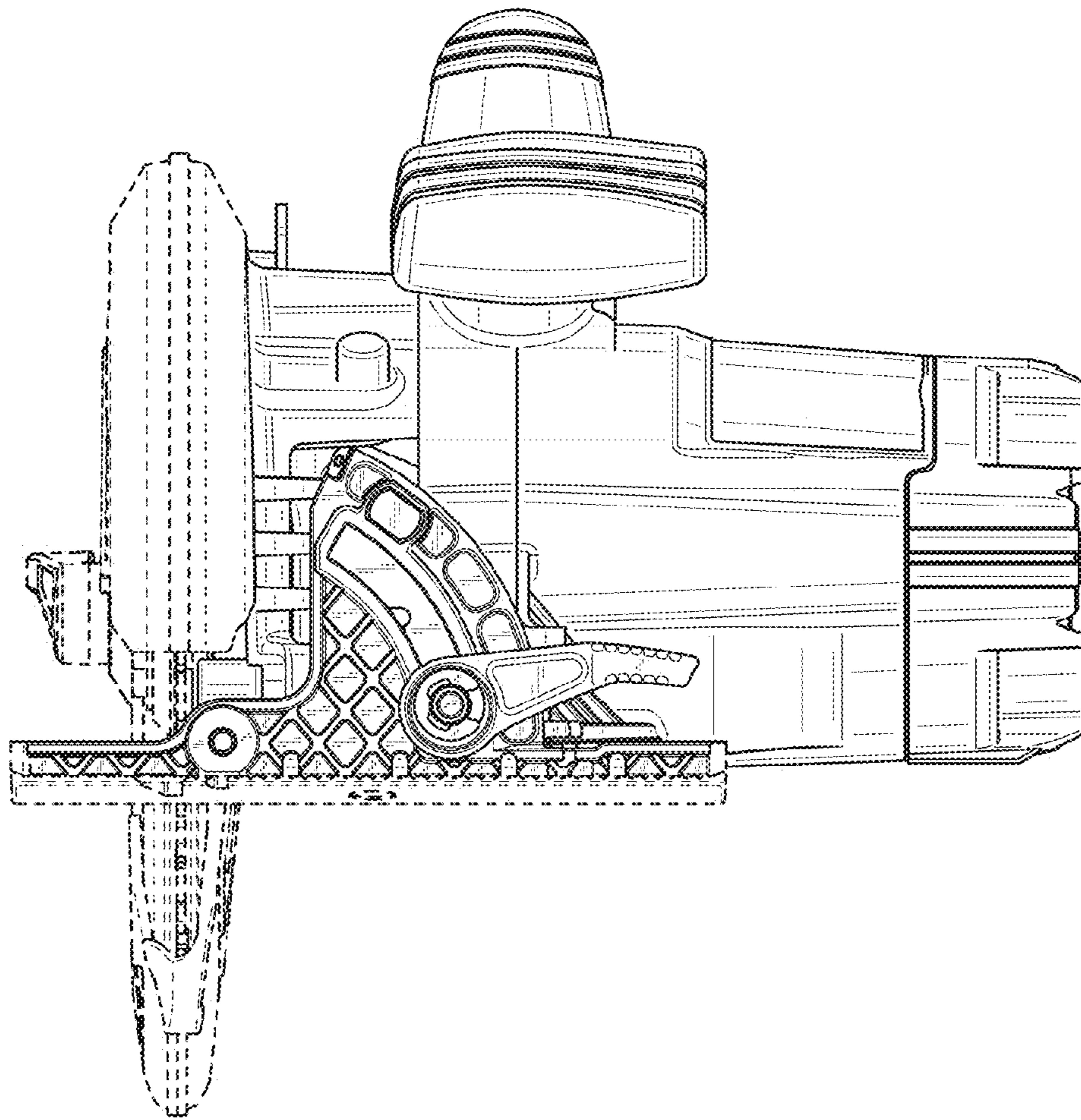


FIG. 2

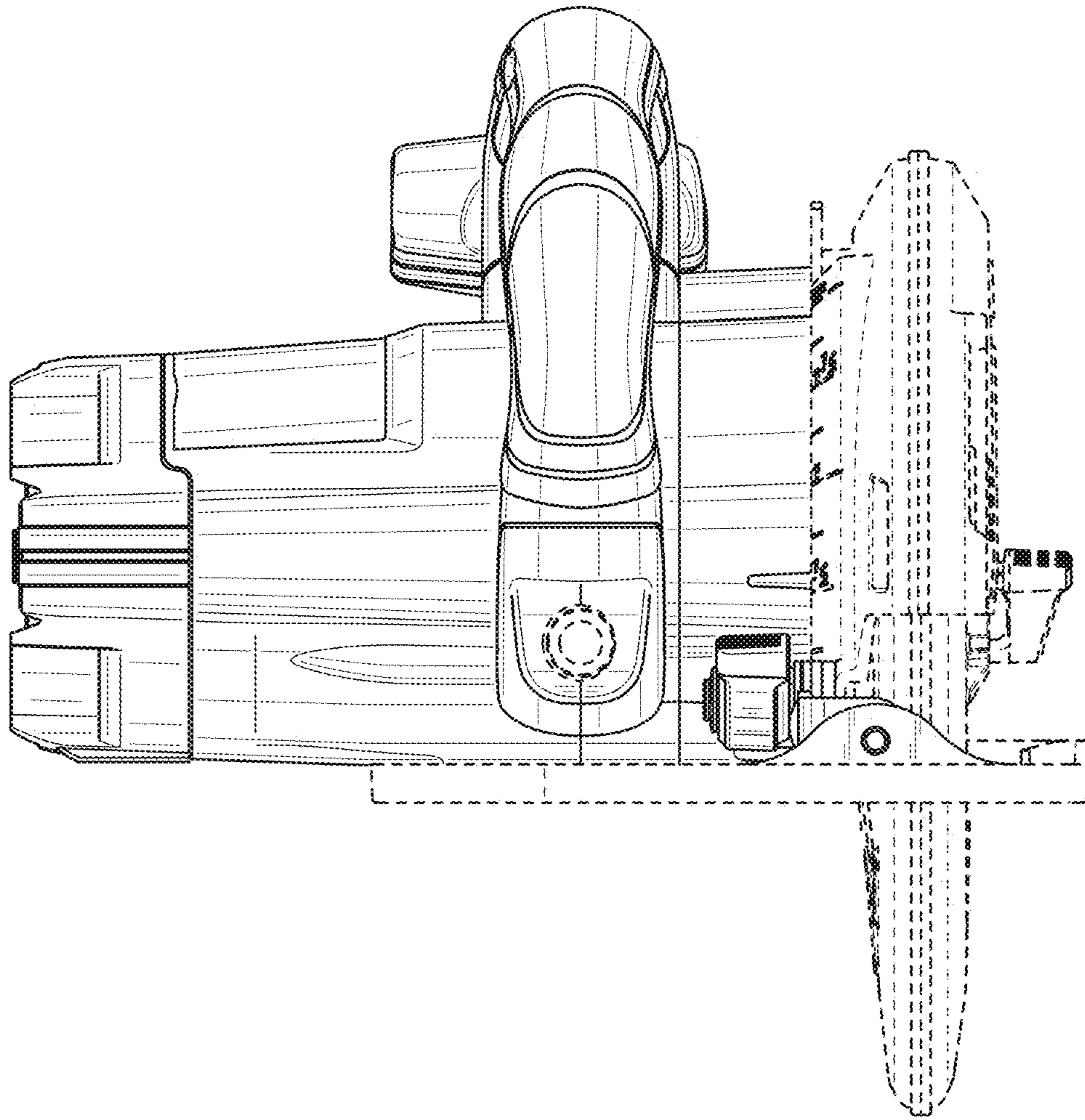


FIG. 3

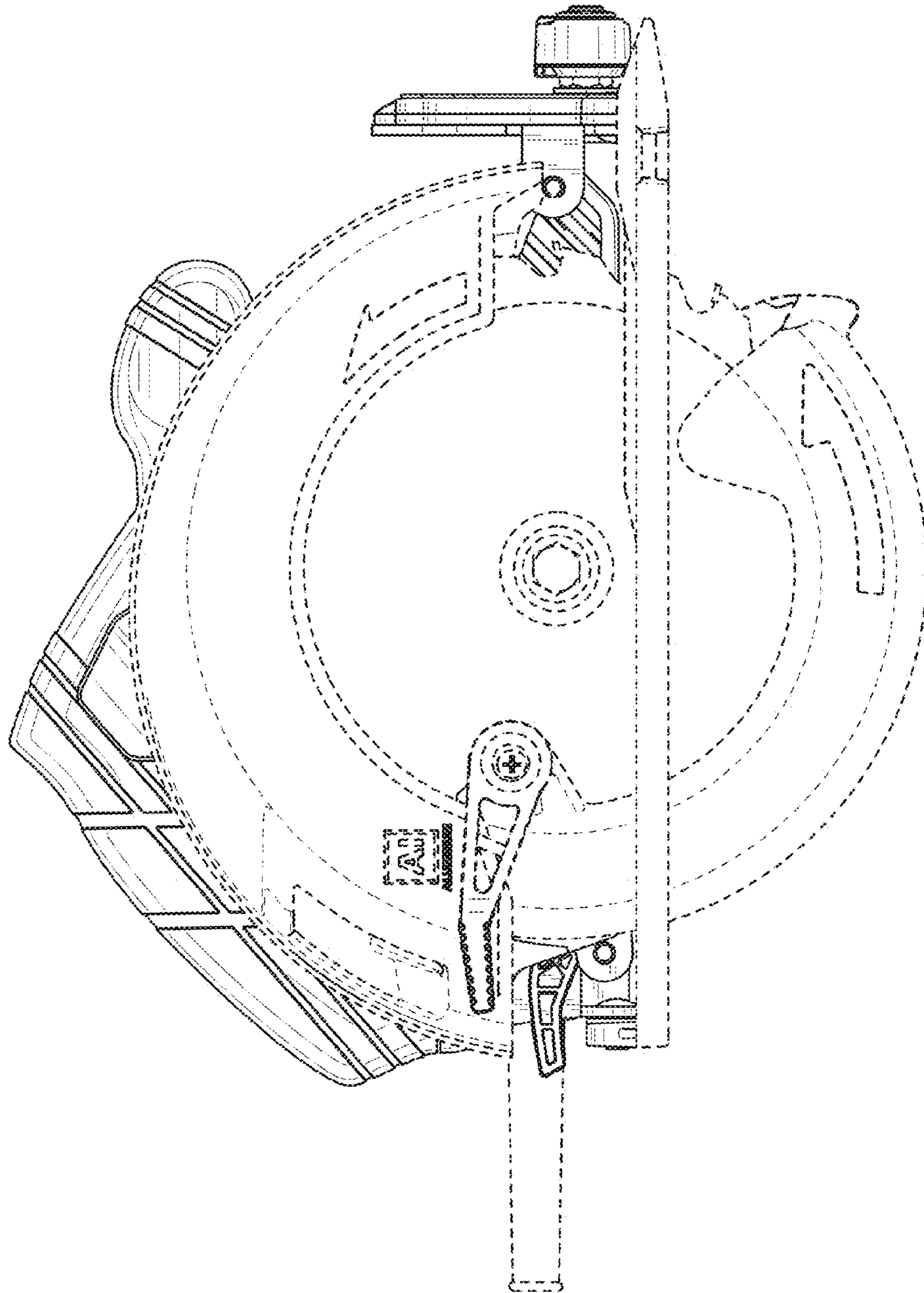


FIG. 4

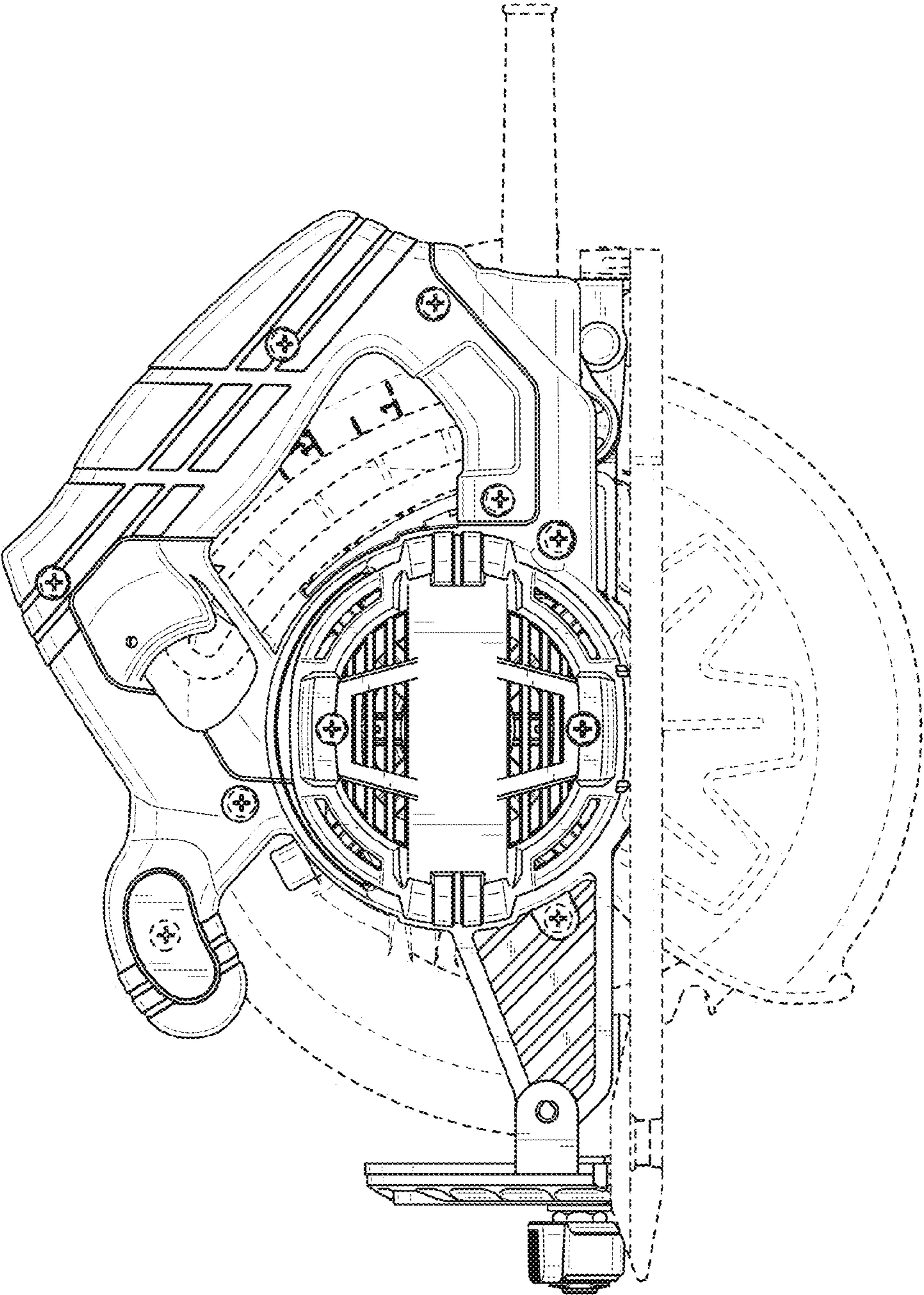


FIG. 5

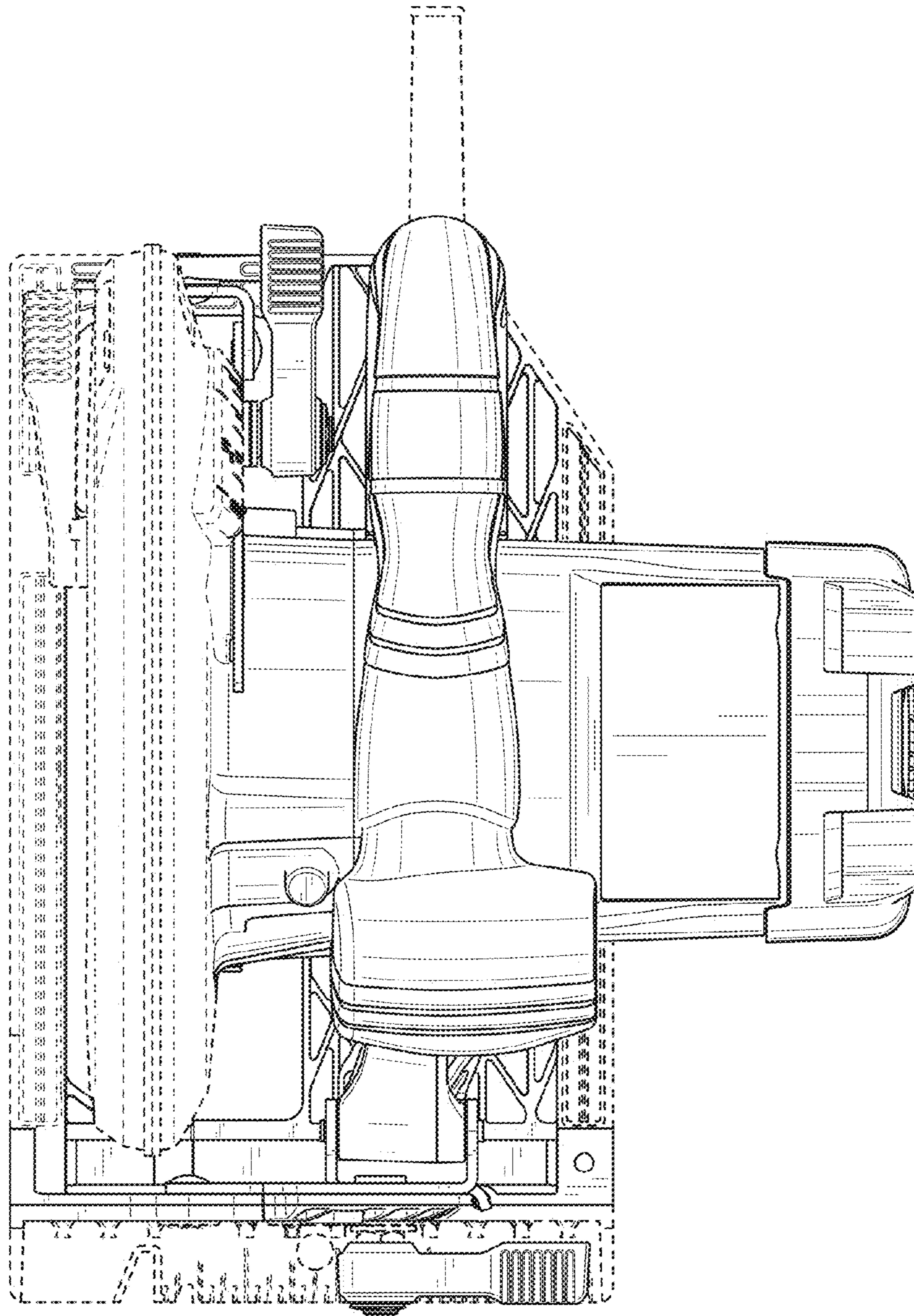


FIG. 6

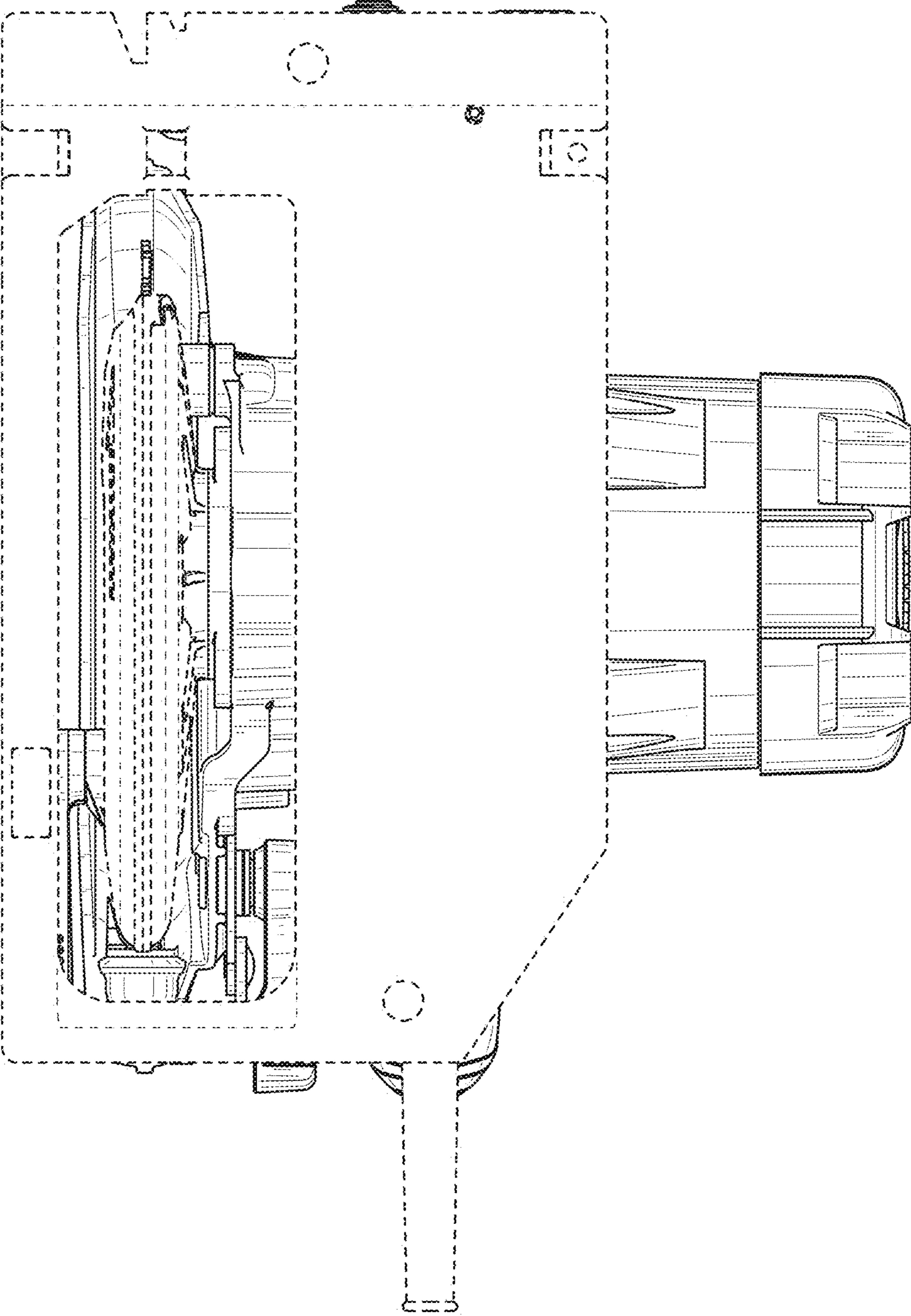


FIG. 7