



US00D705628S

(12) **United States Design Patent**
Tirone et al.

(10) **Patent No.:** **US D705,628 S**

(45) **Date of Patent:** **** May 27, 2014**

(54) **CUTOFF TOOL**

(71) Applicant: **Black & Decker Inc.**, Newark, DE (US)

(72) Inventors: **James C. Tirone**, Baltimore, MD (US);
Windy Shi, Suzhou (CN)

(73) Assignee: **Black & Decker Inc.**, Newark, DE (US)

(**) Term: **14 Years**

(21) Appl. No.: **29/467,356**

(22) Filed: **Sep. 18, 2013**

(51) **LOC (10) Cl.** **08-03**

(52) **U.S. Cl.**
USPC **D8/66**

(58) **Field of Classification Search**
USPC D8/69, 68, 67, 66, 64, 61, 70;
83/698.41, 747, 166.3, 374, 373, 375,
83/376, 391, 377, 390, 388, 389;
125/13.01; 144/218; D21/532

See application file for complete search history.

(56) **References Cited**

U.S. PATENT DOCUMENTS

D177,063 S * 3/1956 Nesbitt D8/61
D233,307 S * 10/1974 Baycura D8/66

D266,222 S * 9/1982 Buscher D8/61
D282,142 S * 1/1986 Siravo D8/66
D375,439 S * 11/1996 Niwa et al. D8/66
D521,680 S * 5/2006 Chen D27/148
D586,636 S * 2/2009 Aglassinger D8/66
D642,886 S * 8/2011 Sciamma D8/66
D648,999 S * 11/2011 Moreno et al. D8/66
D651,882 S * 1/2012 Zhou et al. D8/66

* cited by examiner

Primary Examiner — Austin Murphy

(74) *Attorney, Agent, or Firm* — Stephen R. Valancius

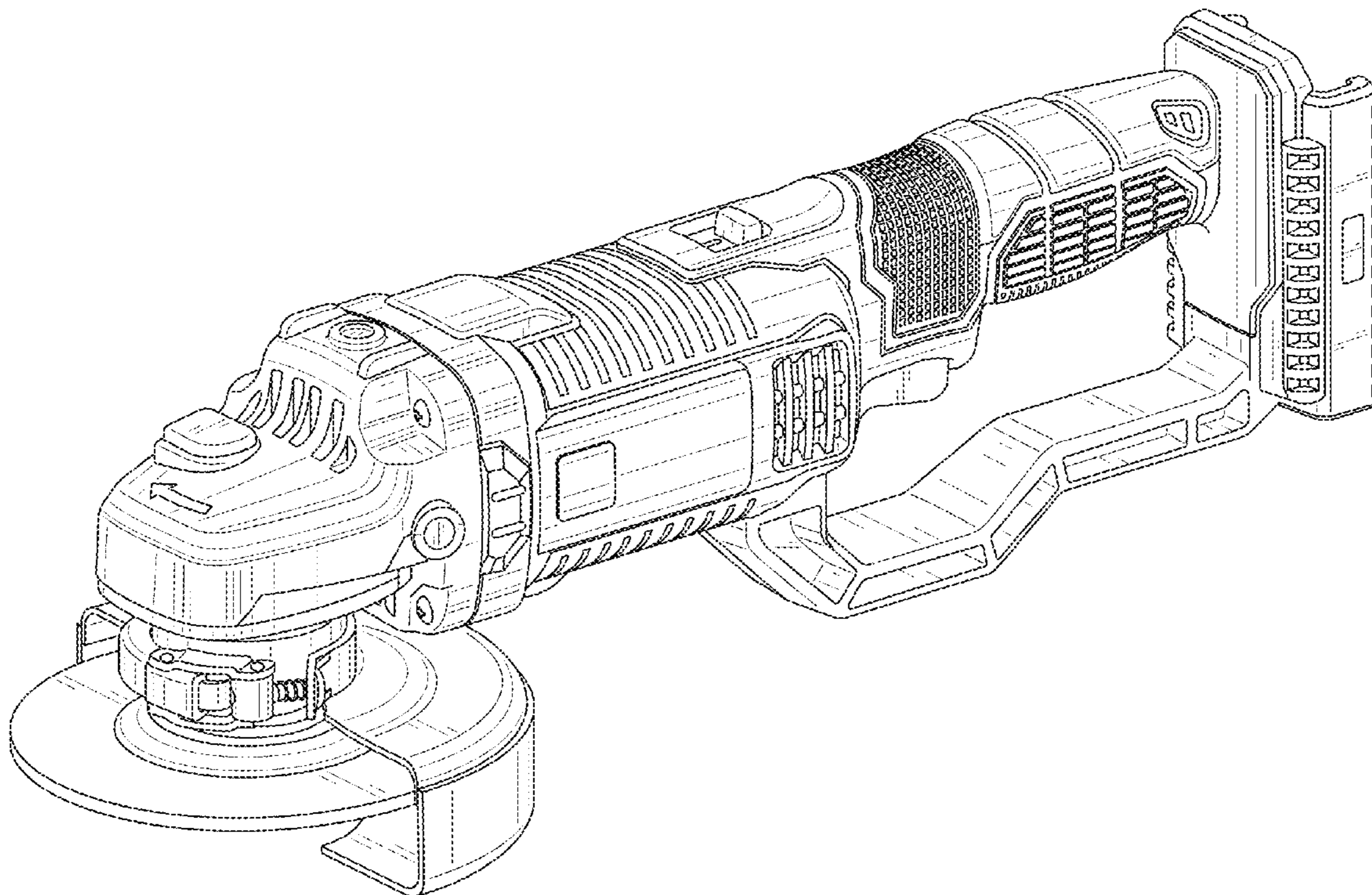
(57) **CLAIM**

The ornamental design for an cutoff tool, as shown and described.

DESCRIPTION

FIG. 1 is a perspective view of an cutoff tool showing our new design;
FIG. 2 is a left side view thereof;
FIG. 3 is a right side view thereof;
FIG. 4 is a front view thereof;
FIG. 5 is a rear view thereof;
FIG. 6 is a top plan view thereof; and,
FIG. 7 is a bottom plan view thereof.

1 Claim, 6 Drawing Sheets



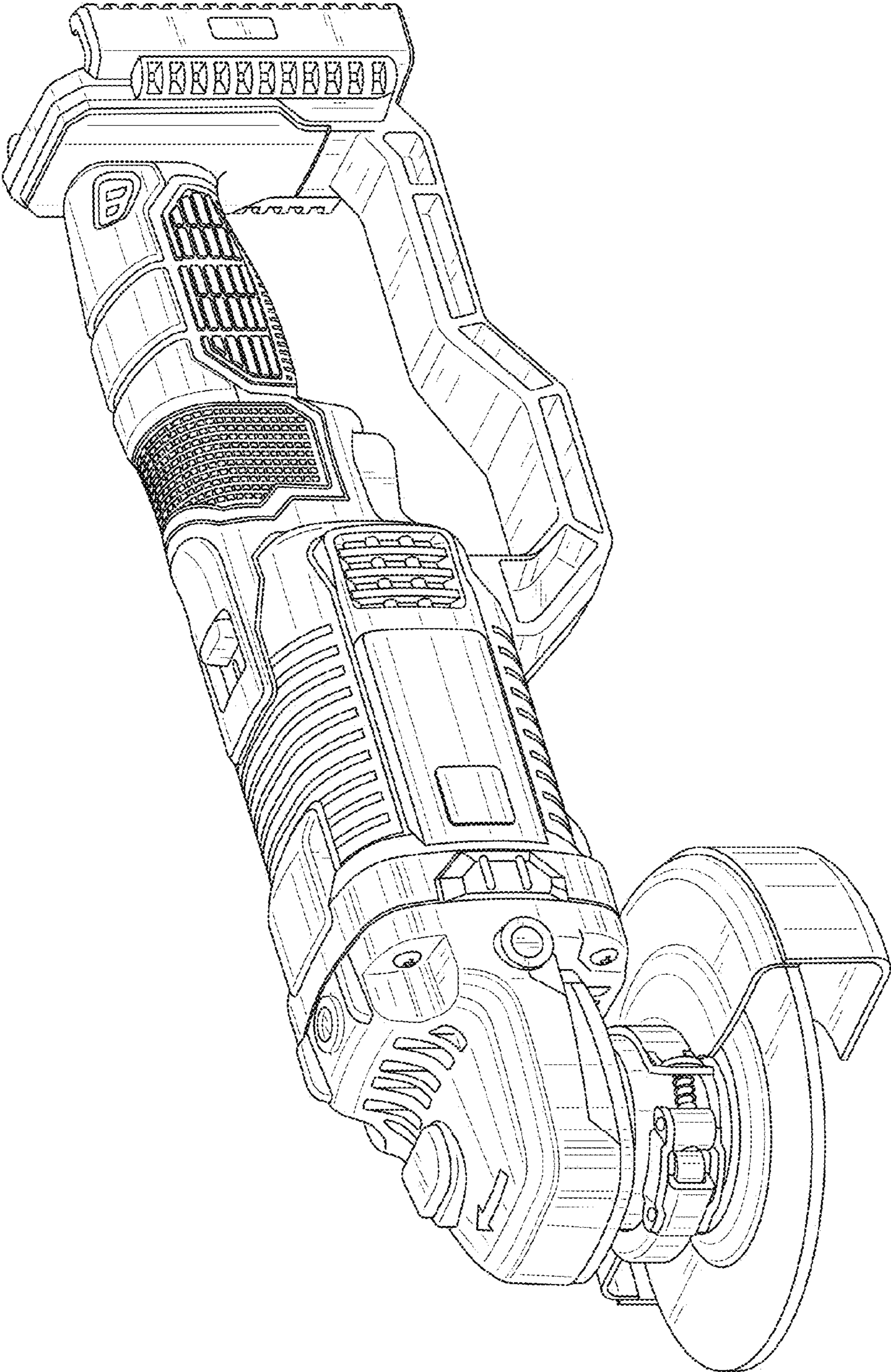


FIG. 1

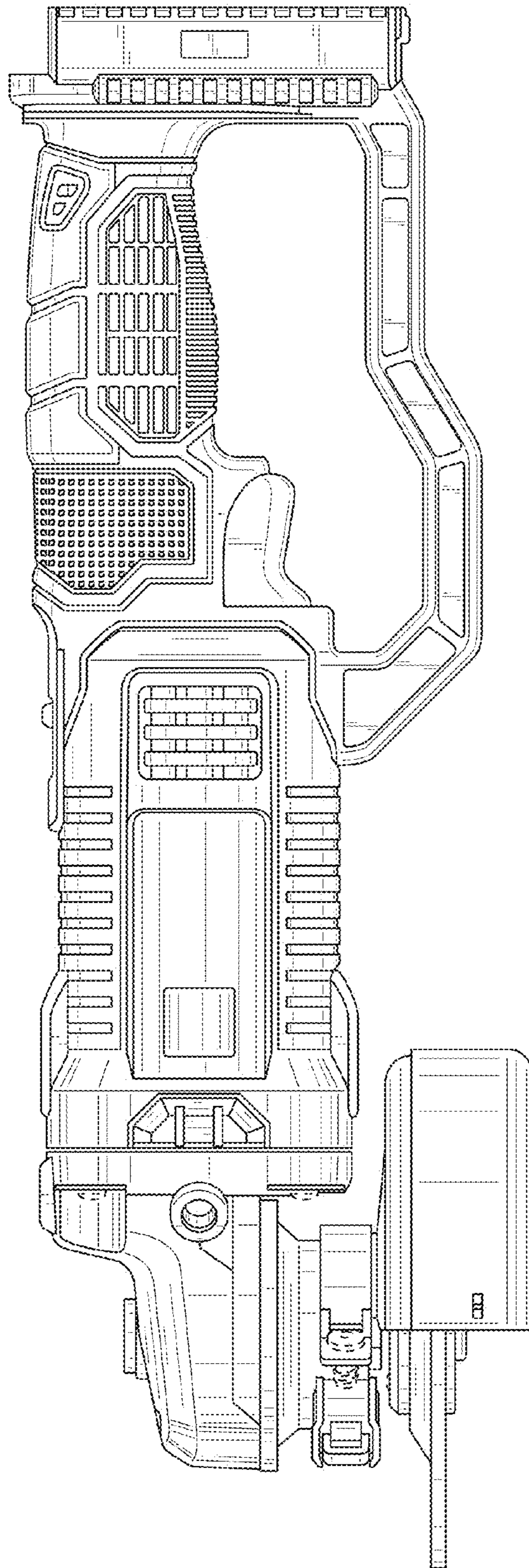


FIG. 2

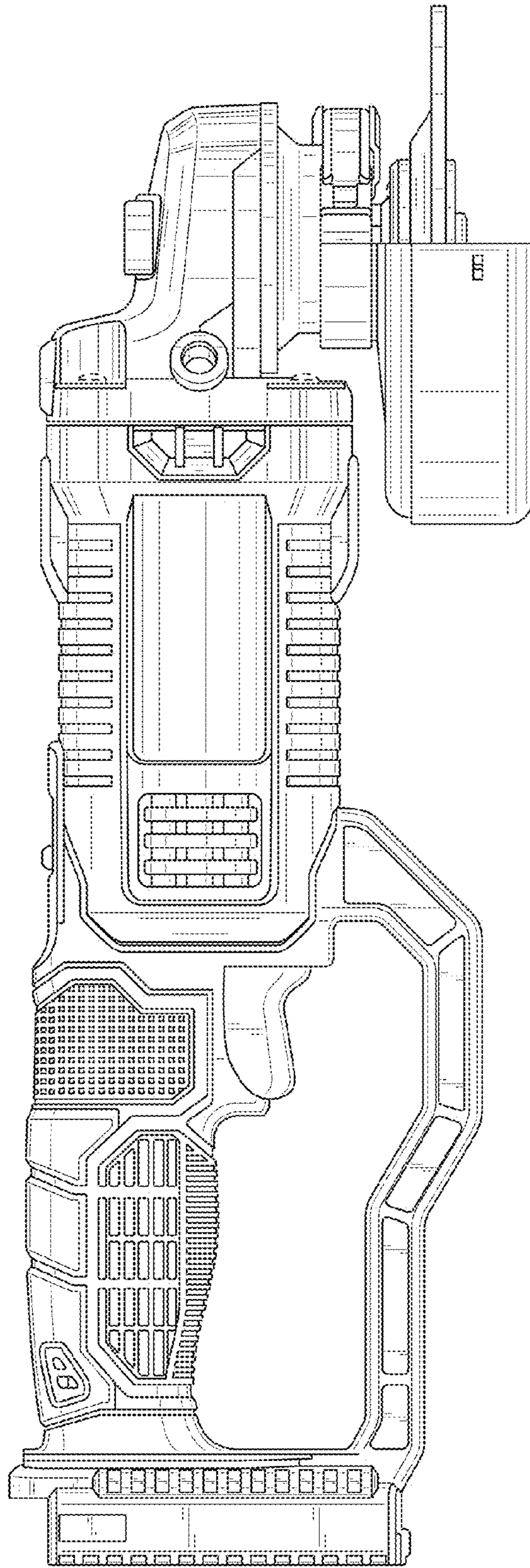


FIG. 3

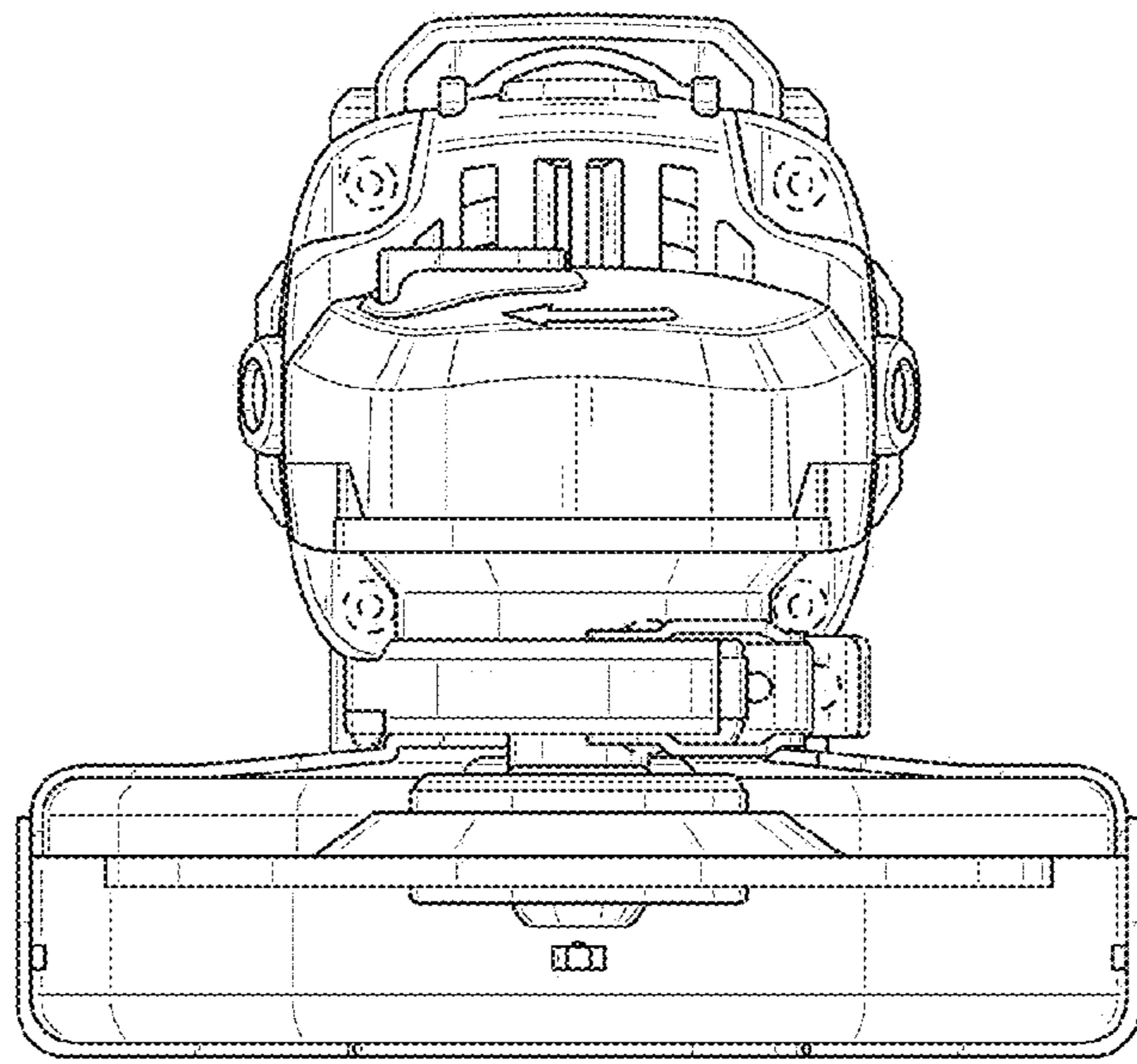


FIG. 4

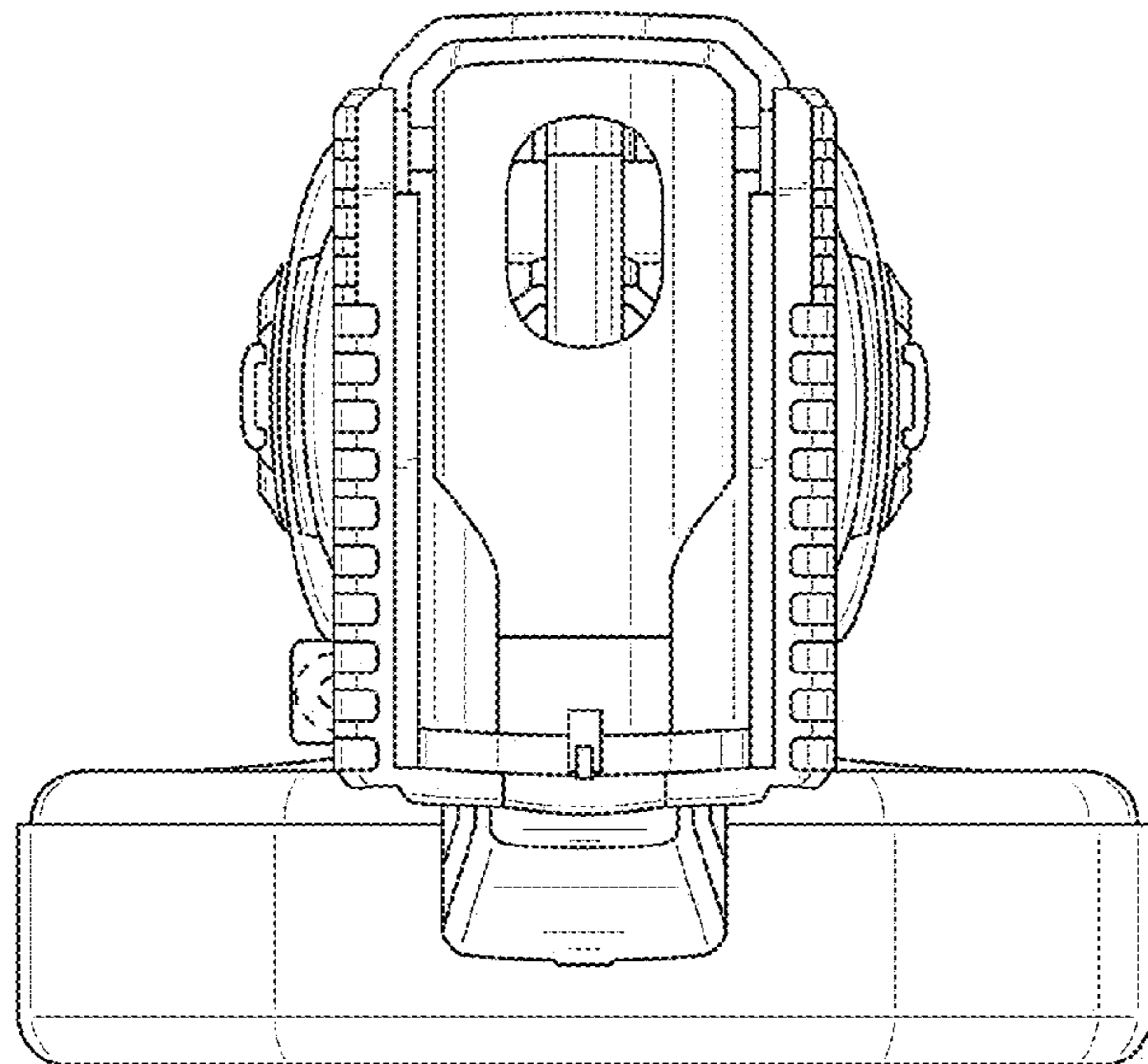


FIG. 5

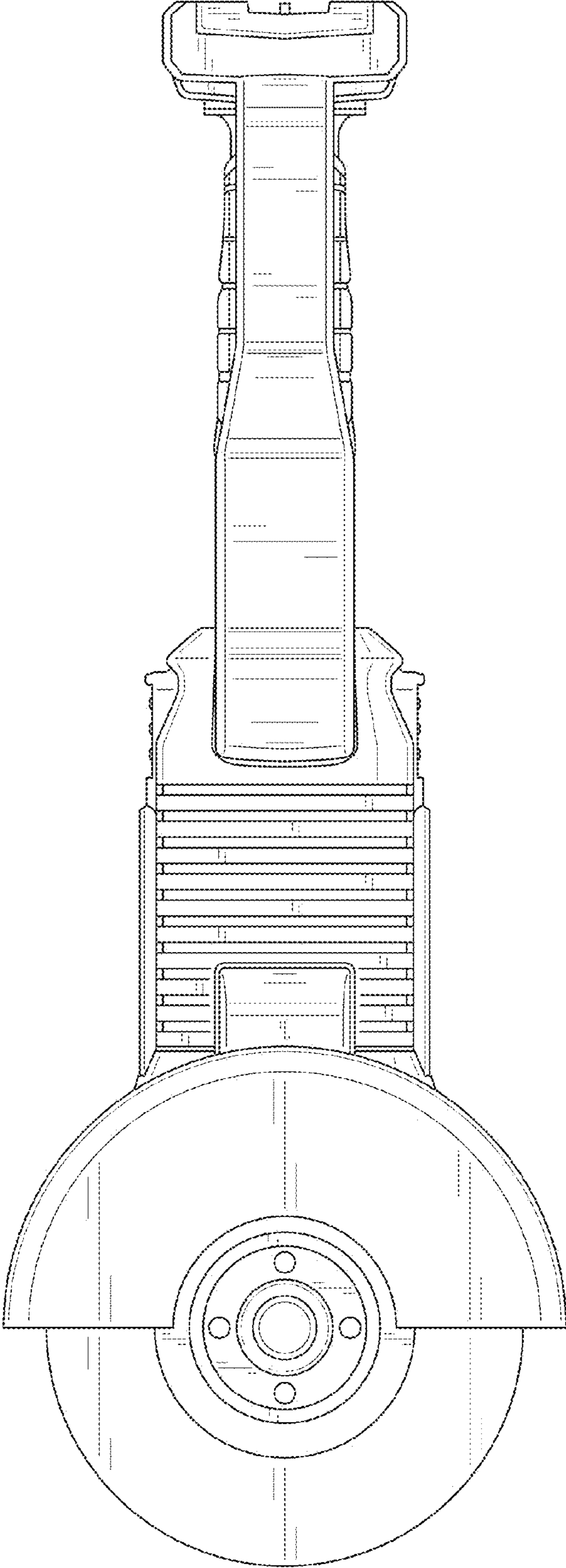


FIG. 6

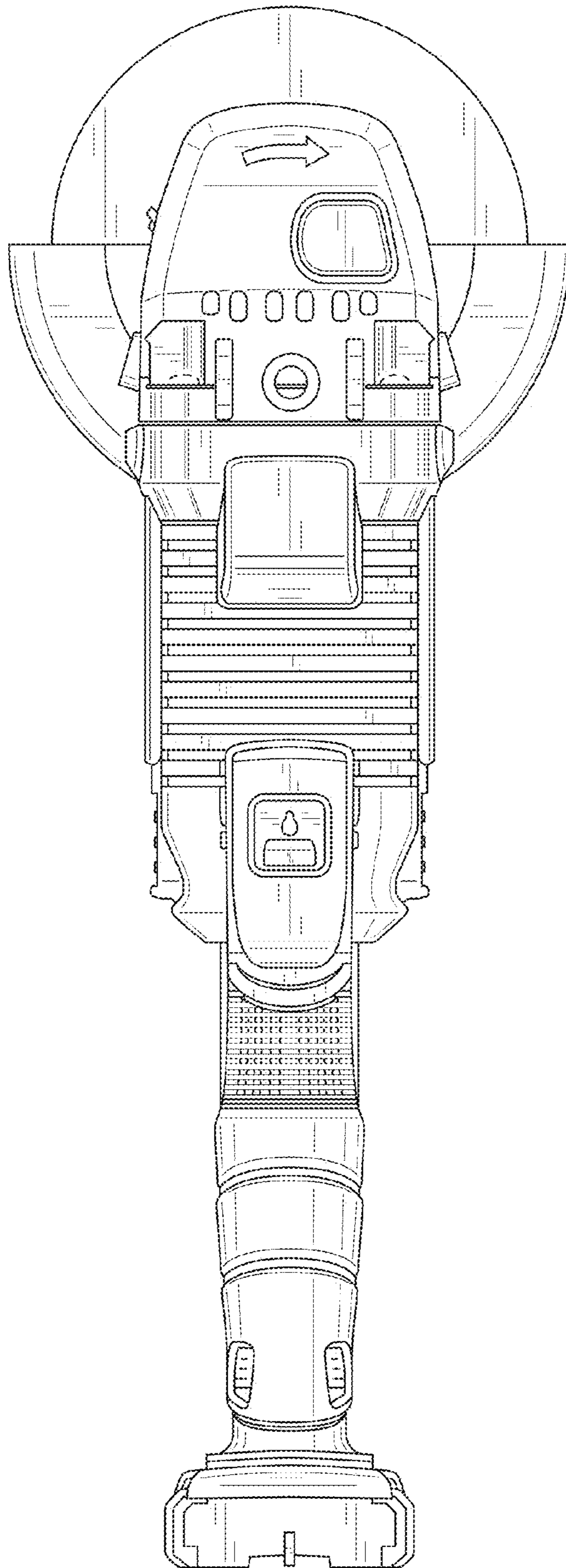


FIG. 7