



US00D705627S

(12) **United States Design Patent**
Schoch

(10) **Patent No.:** **US D705,627 S**

(45) **Date of Patent:** **** May 27, 2014**

(54) **RECIPROCATING SAW**

(71) Applicant: **Black & Decker Inc.**, Newark, DE (US)

(72) Inventor: **Robert B. Schoch**, Baltimore, MD (US)

(73) Assignee: **Black & Decker Inc.**, Newark, DE (US)

(**) Term: **14 Years**

(21) Appl. No.: **29/467,231**

(22) Filed: **Sep. 17, 2013**

(51) **LOC (10) Cl.** **08-03**

(52) **U.S. Cl.**
USPC **D8/64**

(58) **Field of Classification Search**
USPC D8/69, 68, 67, 66, 65, 64, 62, 61;
30/92, 394, 393, 392, 377, 376, 371;
74/50, 49; 173/217, 216; 83/699.21;
446/145

See application file for complete search history.

(56) **References Cited**

U.S. PATENT DOCUMENTS

D504,603 S *	5/2005	Xiaoxian	D8/64
6,912,790 B2 *	7/2005	James et al.	30/392
D524,130 S *	7/2006	Wolf et al.	D8/64
D524,132 S *	7/2006	Welsh	D8/64
D525,845 S *	8/2006	Welsh	D8/64
D527,596 S *	9/2006	Andriolo	D8/64
D527,597 S *	9/2006	Andriolo	D8/64

D534,778 S *	1/2007	Chu	D8/64
D545,657 S *	7/2007	Yamamoto et al.	D8/64
D551,046 S *	9/2007	Yamamoto et al.	D8/64
D551,930 S *	10/2007	Yamada et al.	D8/64
D558,018 S *	12/2007	McRoberts et al.	D8/64
D591,574 S *	5/2009	DiPasquale et al.	D8/64
D596,005 S *	7/2009	Schoch	D8/64
8,166,660 B2 *	5/2012	Zhou	30/393
8,307,910 B2 *	11/2012	Holmes et al.	173/19
D685,242 S *	7/2013	Vitantonio et al.	D8/64
D688,928 S *	9/2013	Busschaert	D8/64
2004/0098870 A1 *	5/2004	Nemazi et al.	30/392

* cited by examiner

Primary Examiner — Austin Murphy

(74) *Attorney, Agent, or Firm* — Stephen R. Valancius

(57) **CLAIM**

The ornamental design for a reciprocating saw, as shown and described.

DESCRIPTION

FIG. 1 is a perspective view of a reciprocating saw showing my new design;

FIG. 2 is a left side view thereof;

FIG. 3 is a right side view thereof;

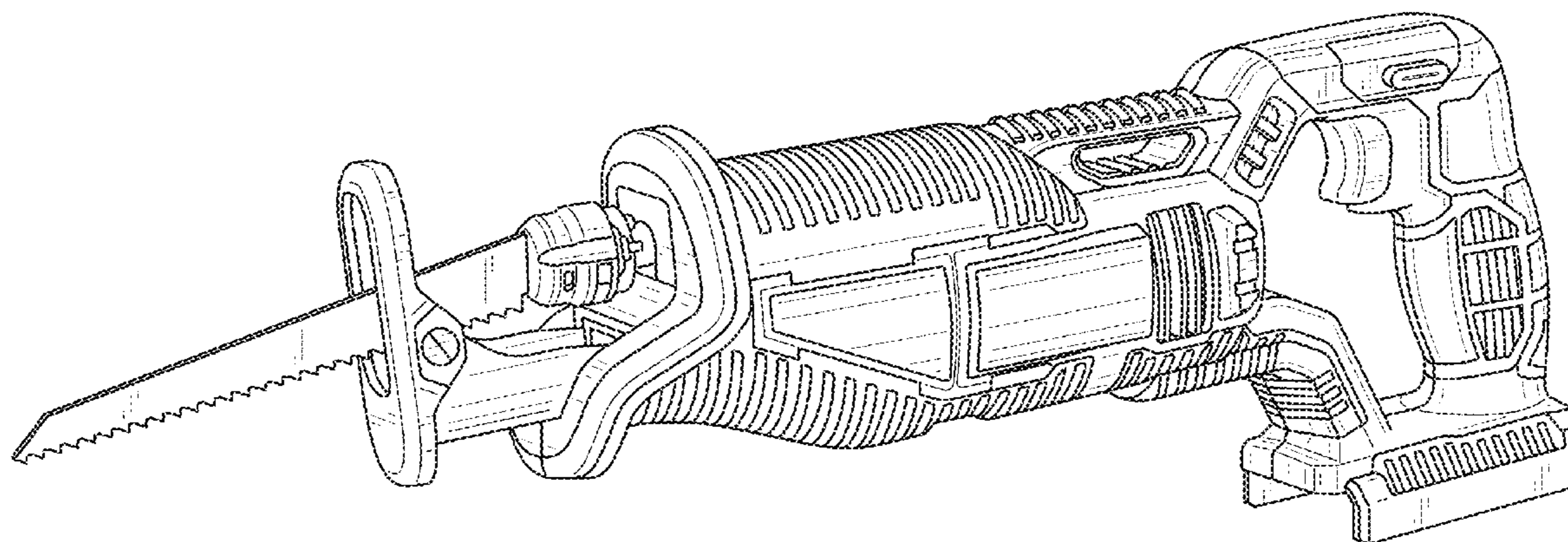
FIG. 4 is a front view thereof;

FIG. 5 is a rear view thereof;

FIG. 6 is a top plan view thereof; and,

FIG. 7 is a bottom plan view thereof.

1 Claim, 6 Drawing Sheets



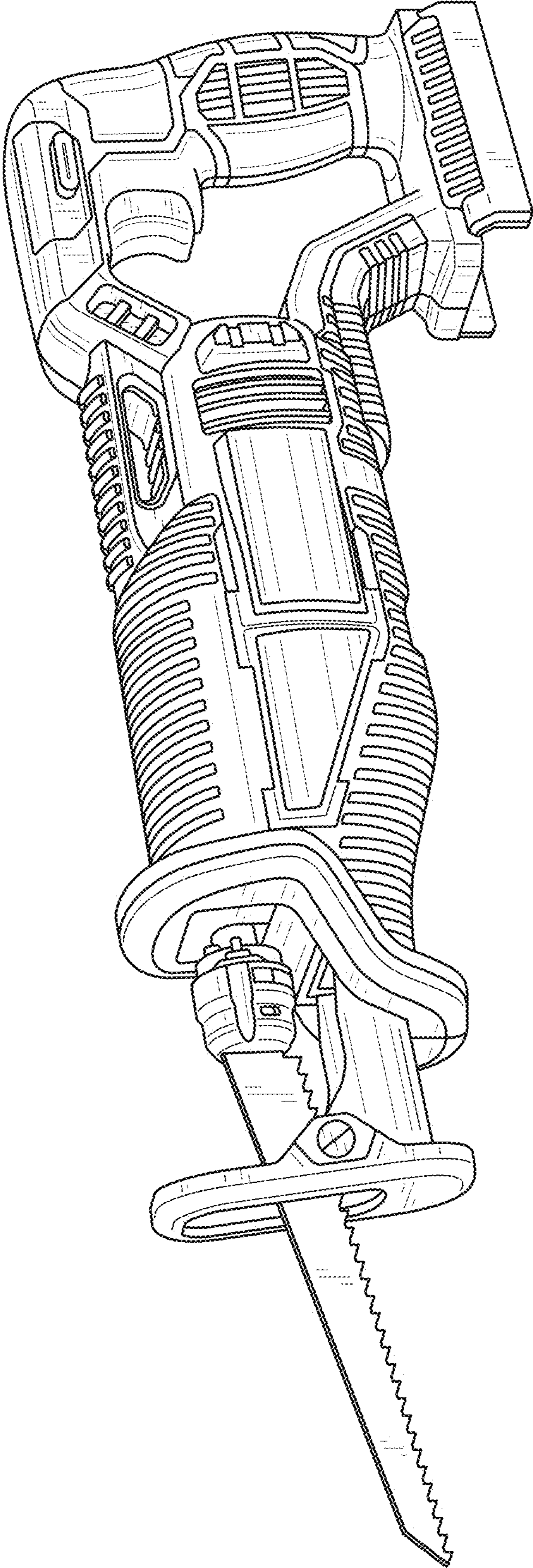


FIG. 1

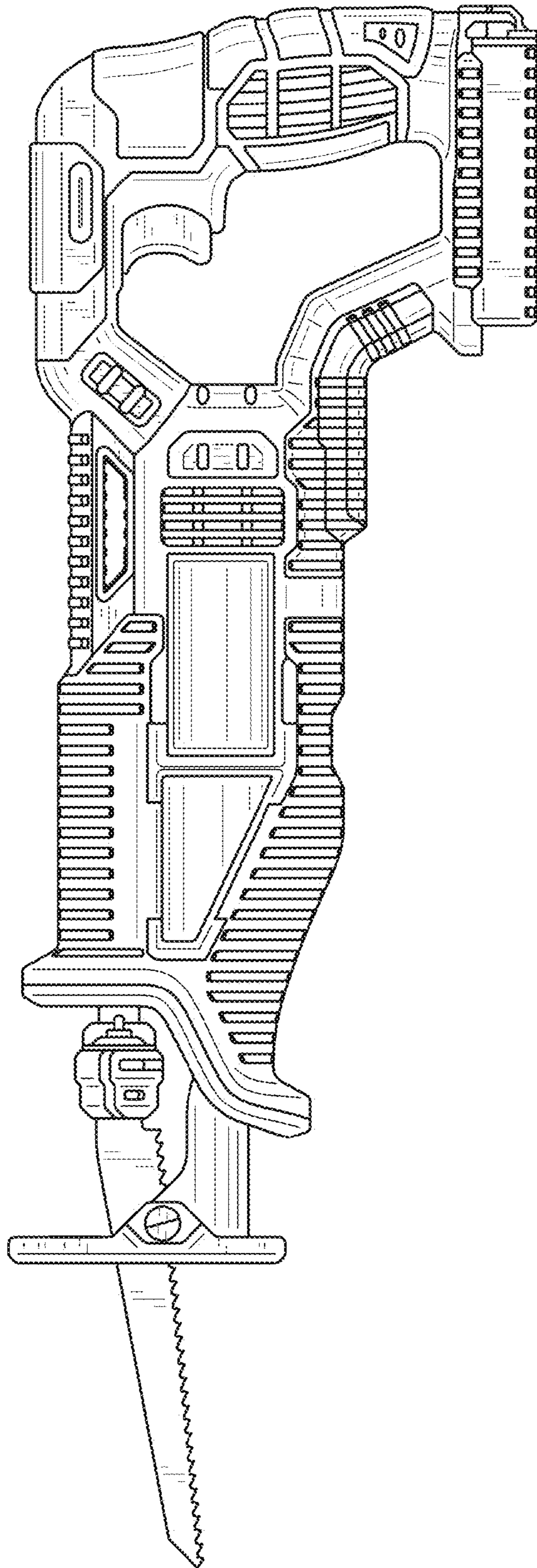


FIG. 2

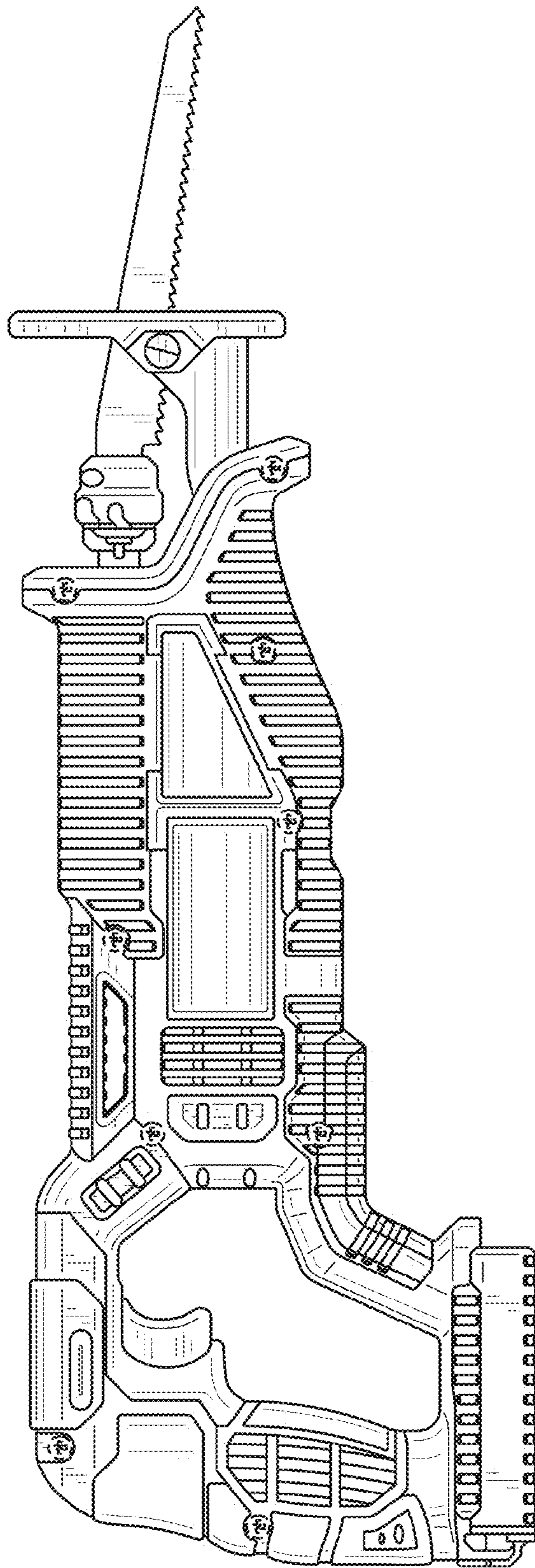


FIG. 3

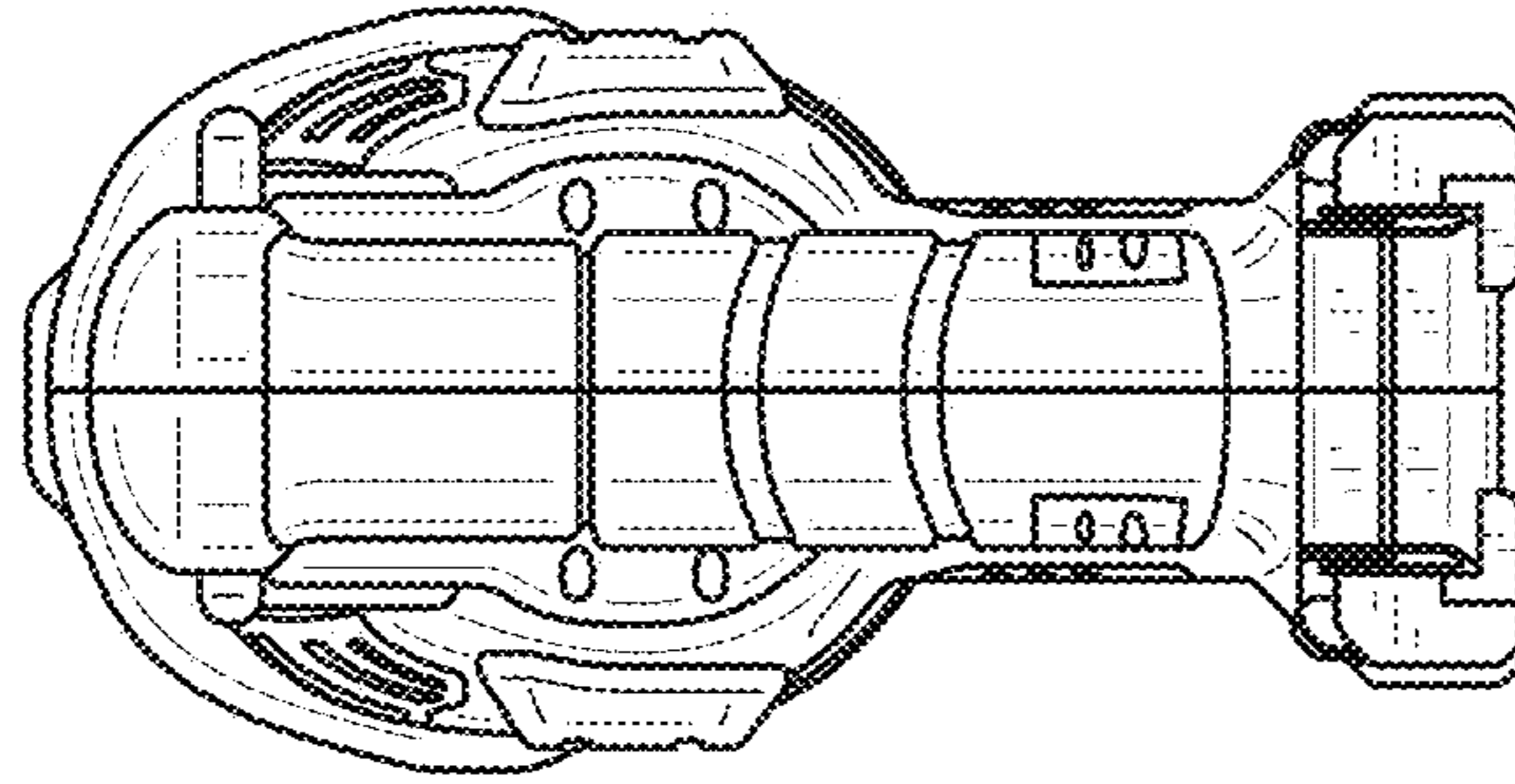


FIG. 5

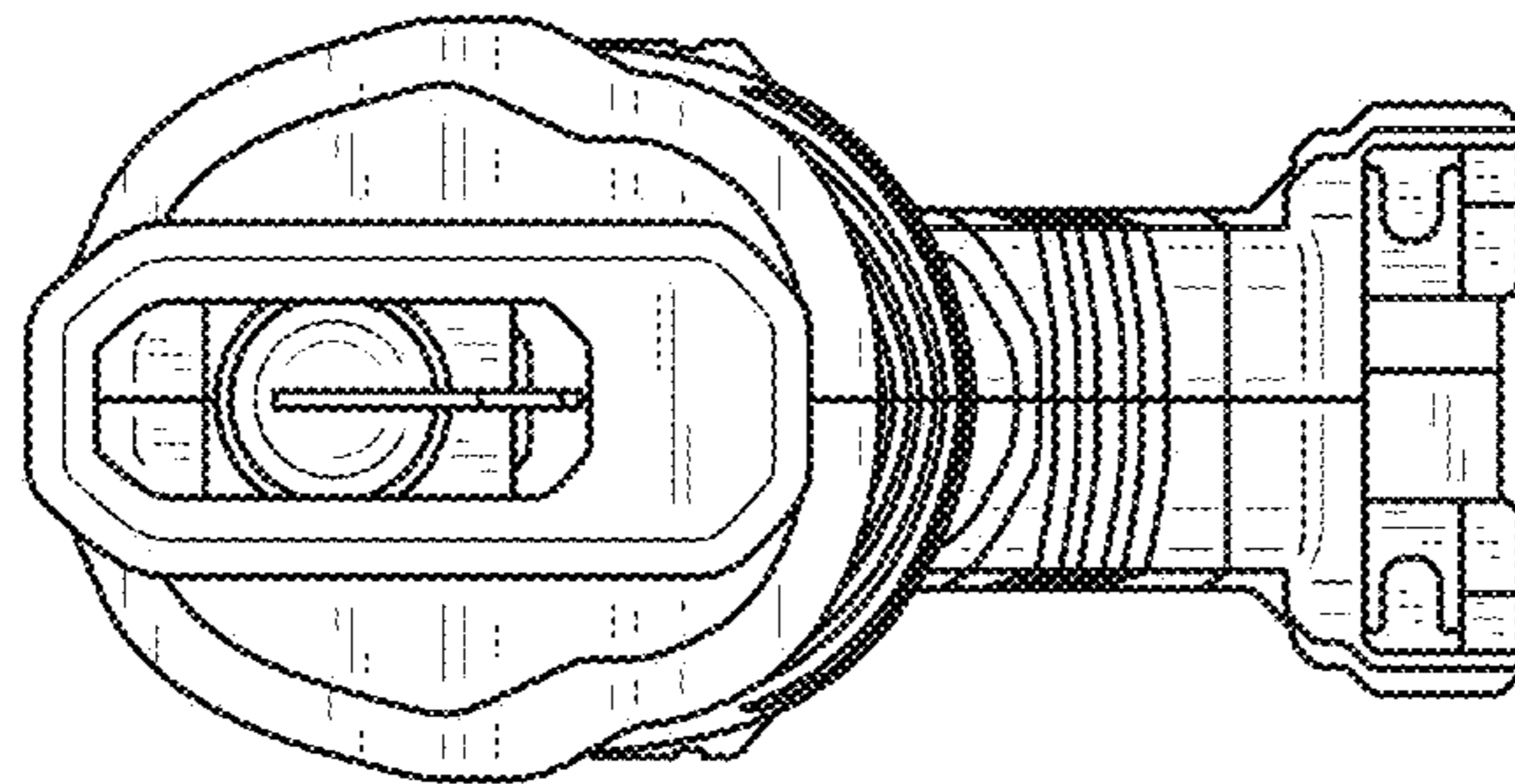


FIG. 4

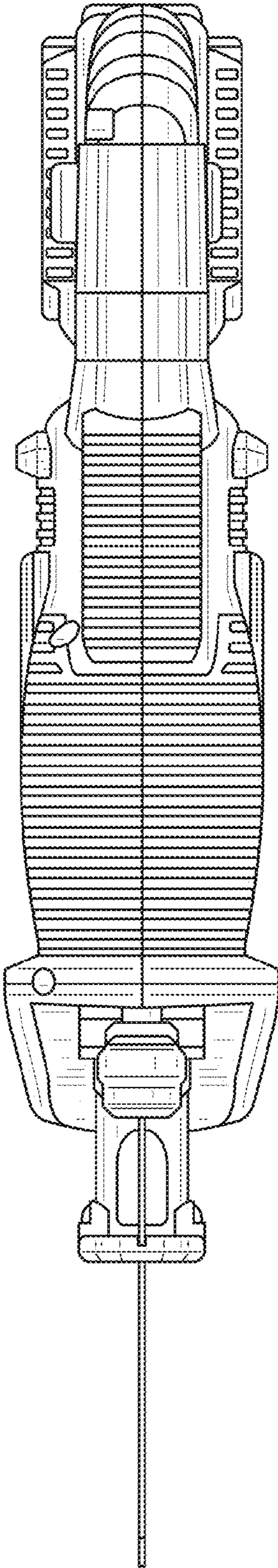


FIG. 6

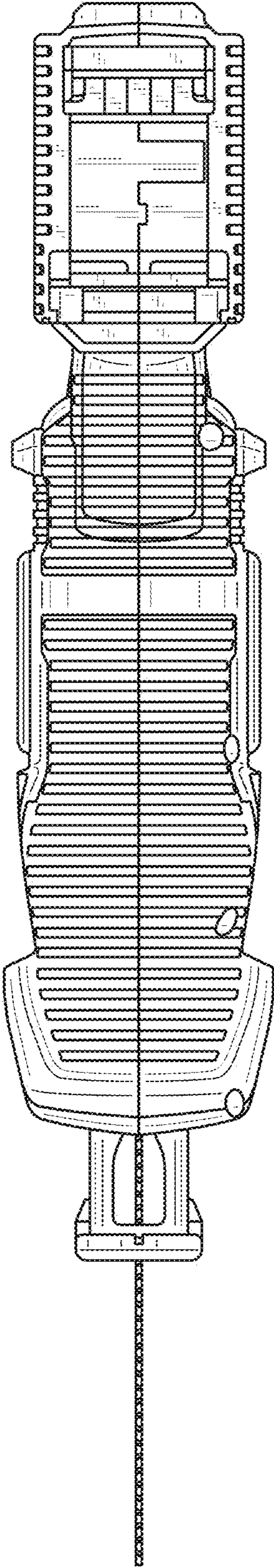


FIG. 7