



US00D705626S

(12) **United States Design Patent**
Schoch

(10) **Patent No.:** **US D705,626 S**

(45) **Date of Patent:** **** May 27, 2014**

(54) **OSCILLATING TOOL**

(71) Applicant: **Black & Decker Inc.**, Newark, DE (US)

(72) Inventor: **Robert B. Schoch**, Baltimore, MD (US)

(73) Assignee: **Black & Decker Inc.**, Newark, DE (US)

(**) Term: **14 Years**

(21) Appl. No.: **29/467,227**

(22) Filed: **Sep. 17, 2013**

(51) **LOC (10) Cl.** **08-01**

(52) **U.S. Cl.**
USPC **D8/64**

(58) **Field of Classification Search**
USPC D8/61, 62, 67, 69; 81/57, 57.11, 57.14,
81/57.26, 429, 464, 469; 173/2, 170, 176,
173/181
See application file for complete search history.

(56) **References Cited**

U.S. PATENT DOCUMENTS

D602,756 S * 10/2009 Henssler et al. D8/61
D647,771 S * 11/2011 Schoch et al. D8/61

D650,254 S * 12/2011 Schoch D8/61
D662,800 S * 7/2012 Blythe et al. D8/61
D663,181 S * 7/2012 Zhou et al. D8/61
8,397,834 B2 * 3/2013 Hellig et al. 173/162.1
D683,202 S * 5/2013 Aglassinger D8/61
D696,916 S * 1/2014 Takahashi et al. D8/61
2007/0094877 A1 * 5/2007 Bohne et al. 30/392
2009/0311952 A1 * 12/2009 Zaiser 451/357

* cited by examiner

Primary Examiner — Austin Murphy

(74) *Attorney, Agent, or Firm* — Stephen R. Valancius

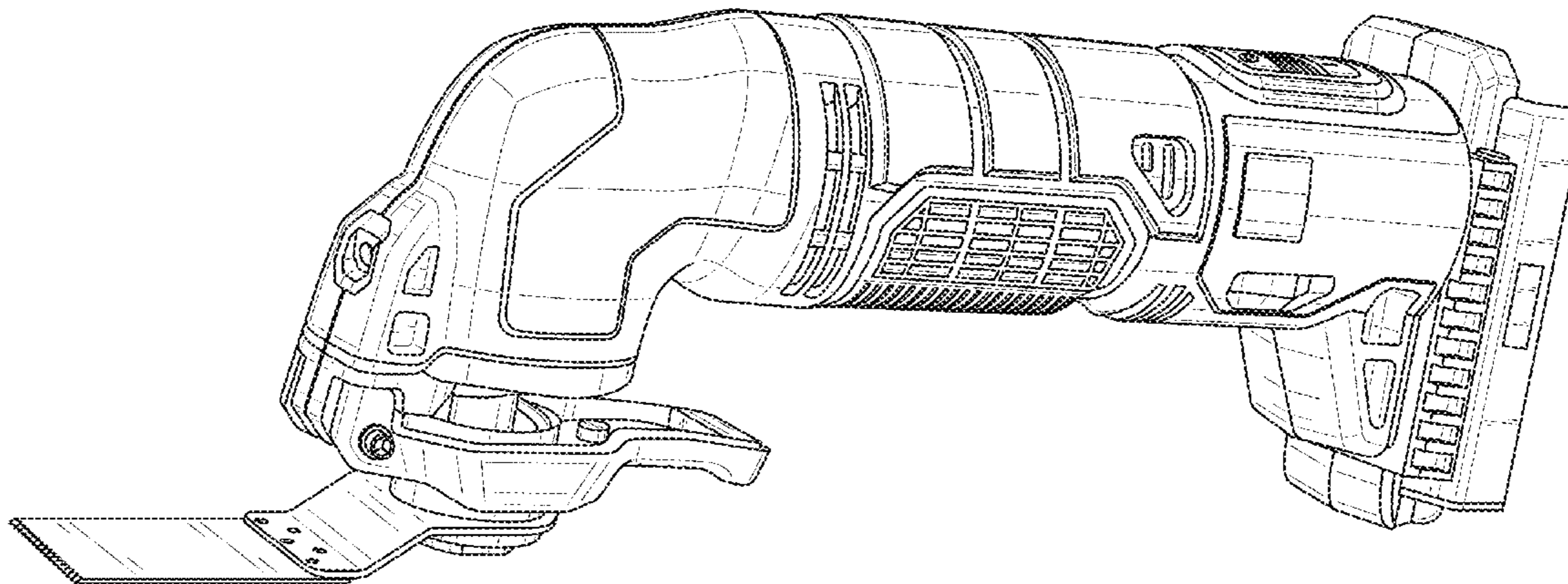
(57) **CLAIM**

The ornamental design for an oscillating tool, as shown and described.

DESCRIPTION

FIG. 1 is a perspective view of an oscillating tool showing my new design;
FIG. 2 is a front view thereof
FIG. 3 is a rear view thereof;
FIG. 4 is a right side view thereof;
FIG. 5 is a left side view thereof;
FIG. 6 is a top plan view thereof; and,
FIG. 7 is a bottom plan view thereof.

1 Claim, 5 Drawing Sheets



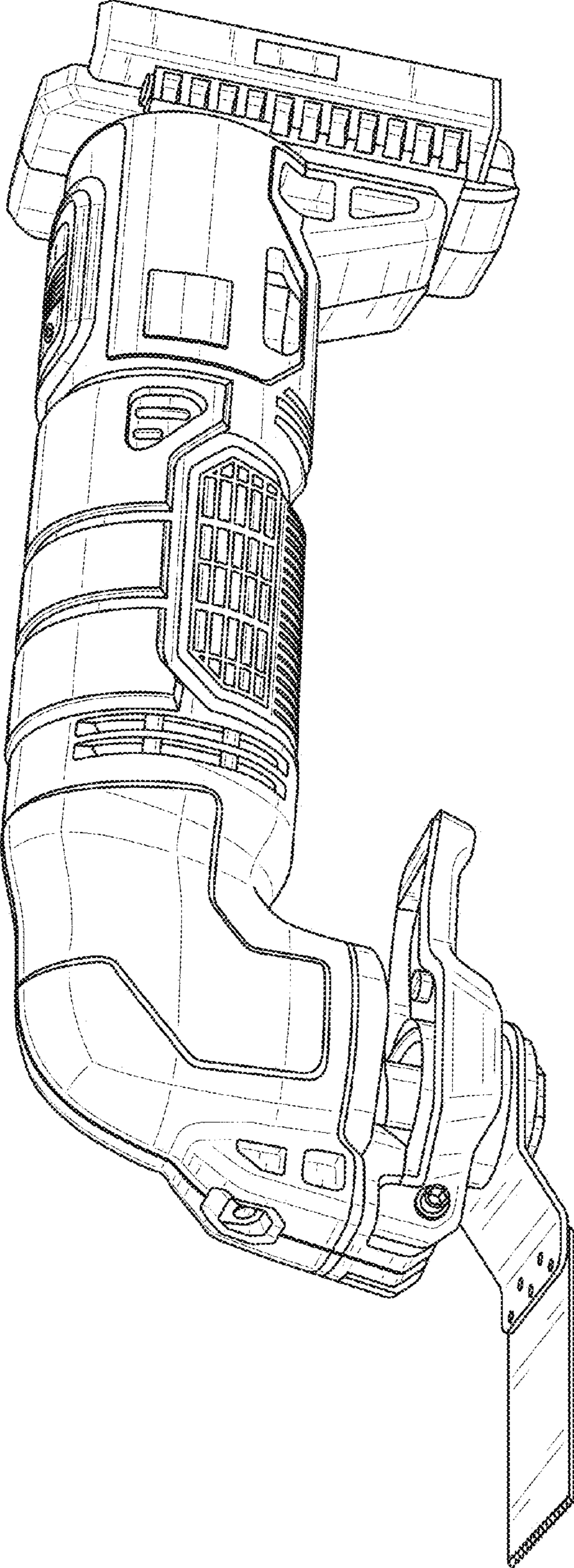


FIG. 1

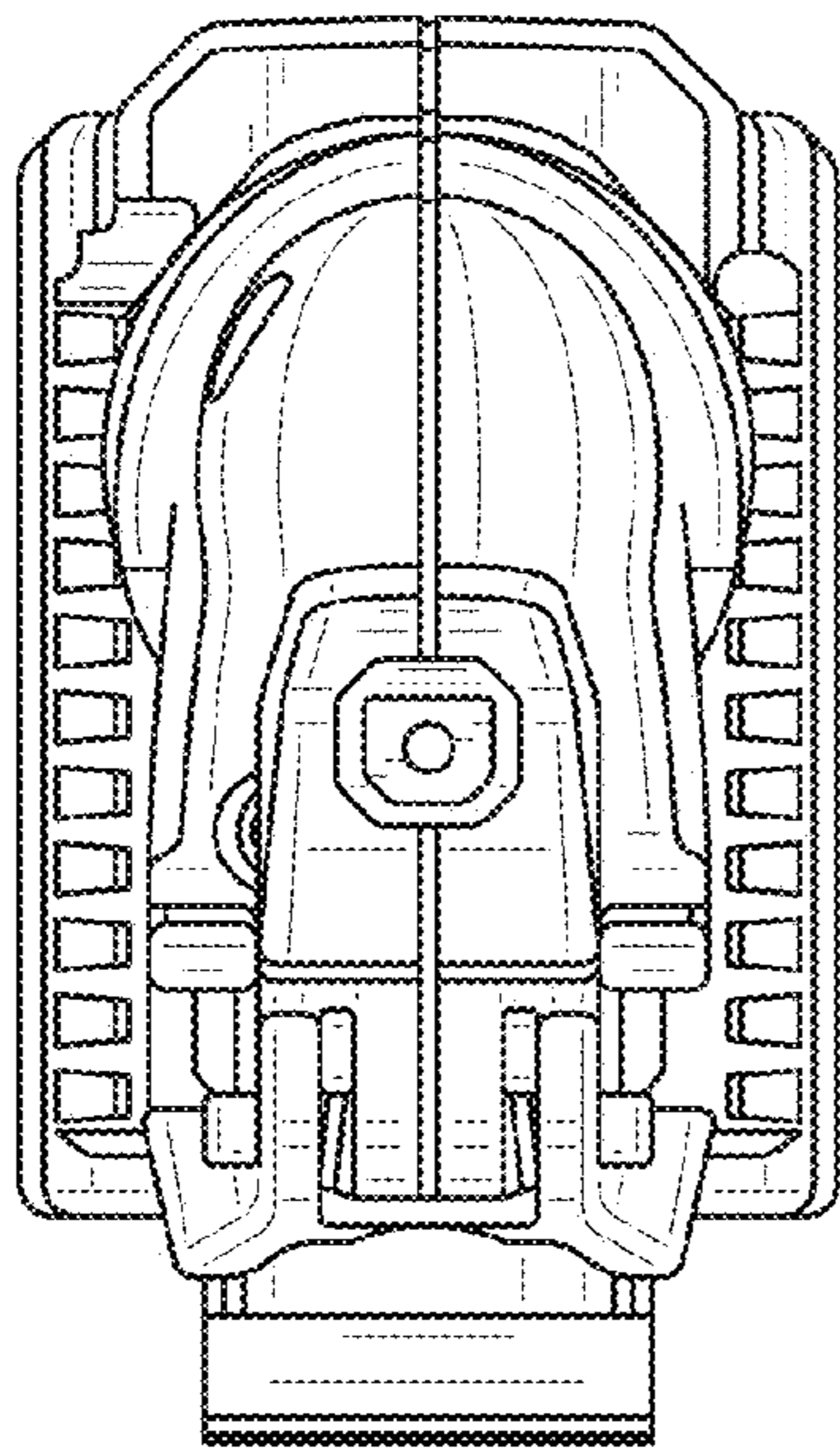


FIG. 2

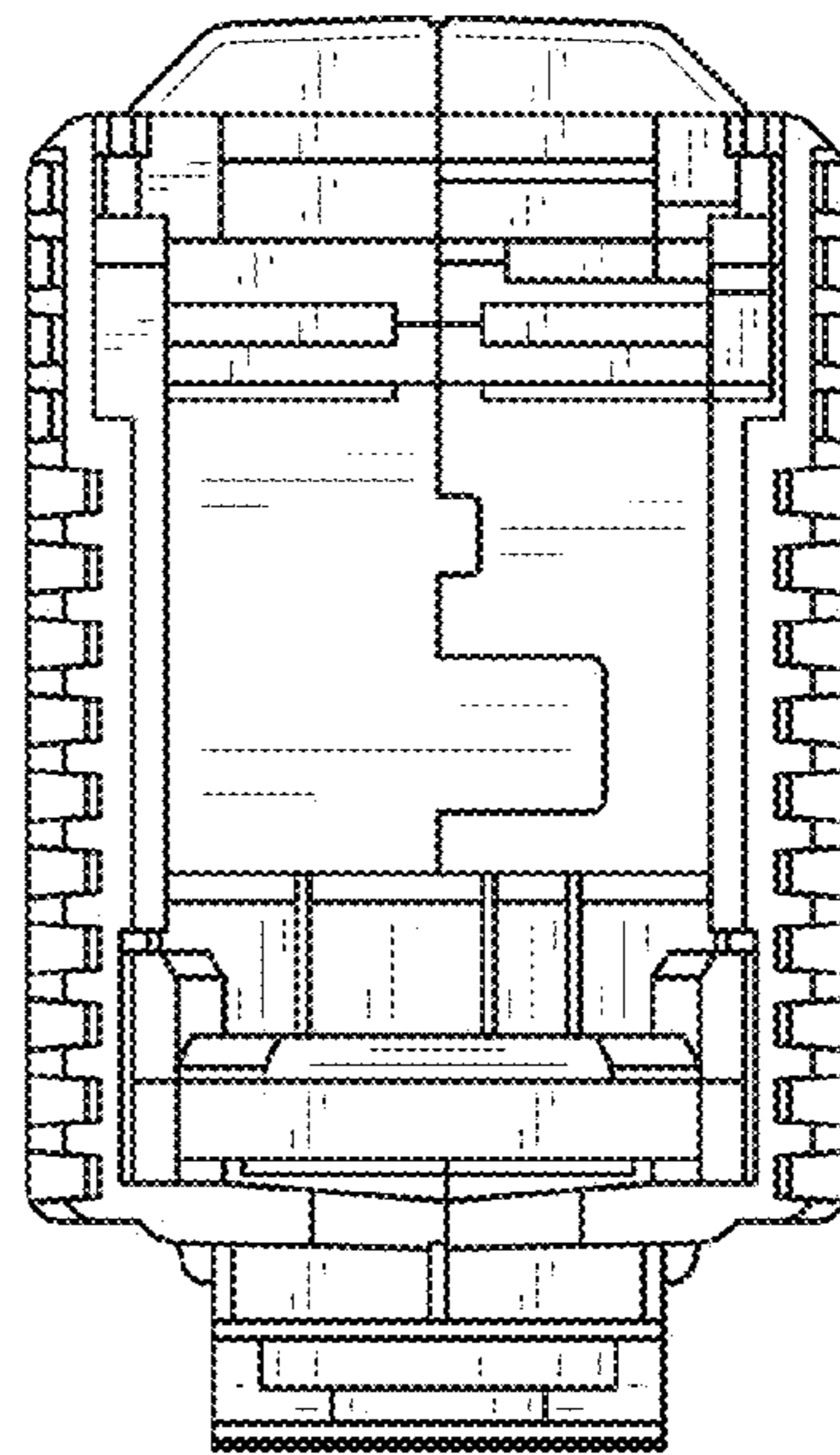


FIG. 3

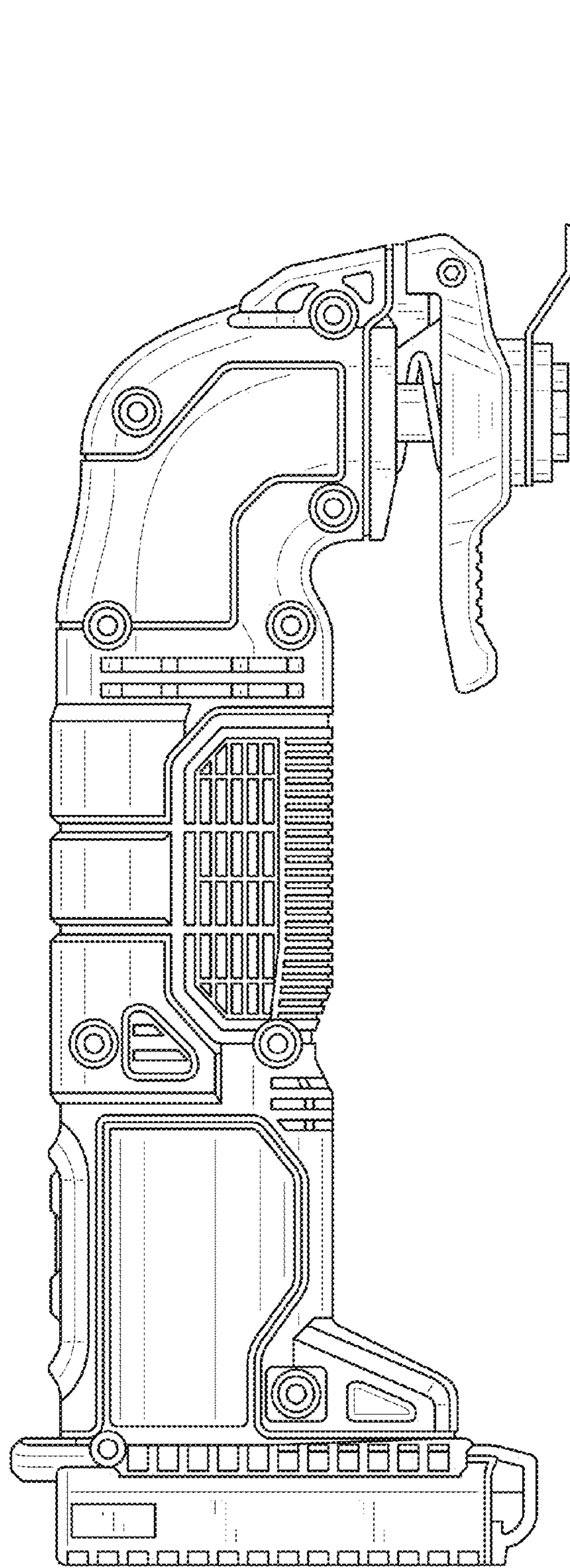


FIG. 4

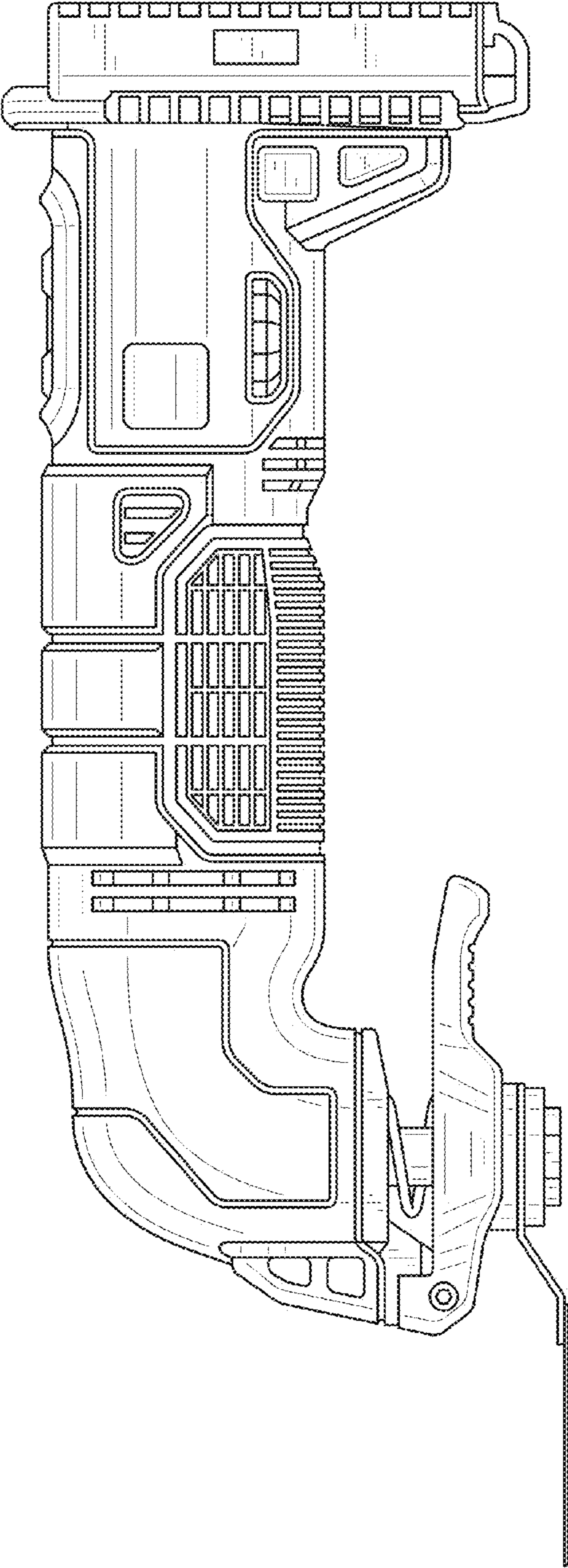


FIG. 5

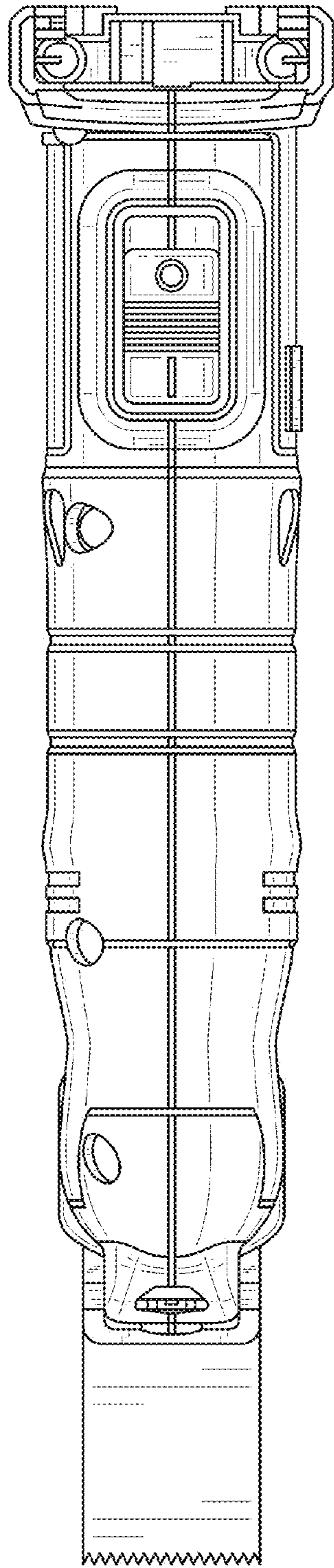


FIG. 6

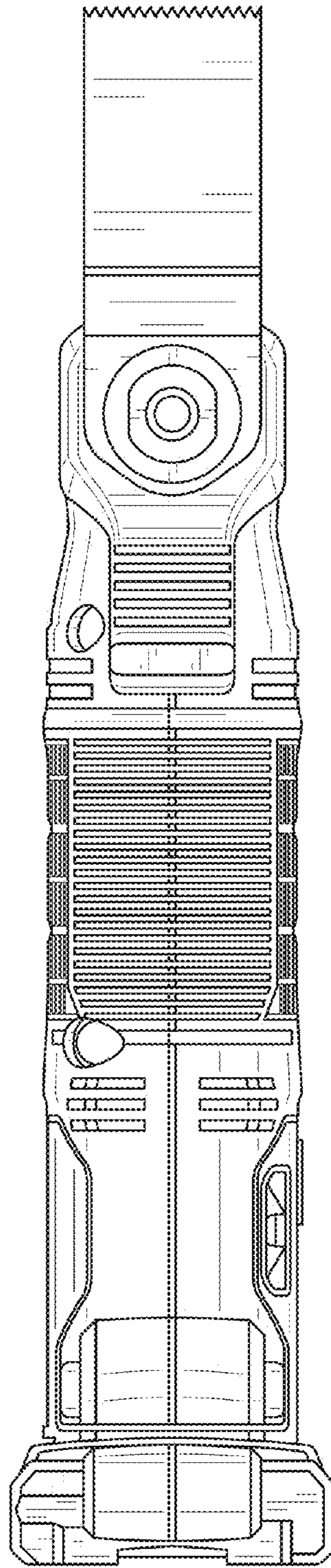


FIG. 7