



US00D705625S

(12) **United States Design Patent**  
**Huber et al.**

(10) **Patent No.:** **US D705,625 S**

(45) **Date of Patent:** **\*\* May 27, 2014**

(54) **COMBINATION SHARPENER HAVING TWO SHARPENING COMPONENTS**

D409,891 S 5/1999 Friel  
6,012,971 A 1/2000 Friel  
6,113,476 A 9/2000 Friel  
6,267,652 B1 7/2001 Friel

(Continued)

(71) Applicant: **Edgcraft Corporation**, Avondale, PA (US)

*Primary Examiner* — Austin Murphy

(72) Inventors: **Thomas M. Huber**, Dover, DE (US);  
**Daniel D. Friel, Jr.**, Kenneth Square, PA (US);  
**Samuel Weiner**, Wilmington, DE (US)

(74) *Attorney, Agent, or Firm* — Novak Druce Connolly Bove + Quigg LLP

(73) Assignee: **Edgcraft Corporation**, Avondale, PA (US)

(57) **CLAIM**

The ornamental design for a combination sharpener having two sharpening components, as shown and described.

(\*\*) Term: **14 Years**

**DESCRIPTION**

(21) Appl. No.: **29/455,443**

FIG. 1 is a perspective view looking downward of the combination sharpener having two sharpening components showing our new design;

(22) Filed: **May 21, 2013**

FIG. 2 is a front elevational view thereof;

(51) **LOC (10) Cl.** ..... **08-05**

FIG. 3 is a rear elevational view thereof;

(52) **U.S. Cl.**

FIG. 4 is a top plan view thereof;

USPC ..... **D8/63**

FIG. 5 is a bottom plan view thereof showing the two sharpening components of the combination sharpener;

(58) **Field of Classification Search**

USPC ..... D8/63, 93, 34, 91, 35; D7/698; 451/45,

FIG. 6 is a right end elevational view thereof;

451/267, 259, 198, 193, 177, 555, 132, 194,

FIG. 7 is a left end elevational view thereof;

451/241; 36/31; 76/86-89; 30/138

FIG. 8 is a bottom plan view of FIG. 1 showing the second sharpening component removed from the first sharpening component;

See application file for complete search history.

FIG. 9 is a perspective view of FIG. 8;

(56) **References Cited**

**U.S. PATENT DOCUMENTS**

2,860,452 A \* 11/1958 Lebus ..... 451/241  
D284,736 S \* 7/1986 Kawai et al. .... D8/93  
4,627,194 A 12/1986 Friel  
4,716,689 A 1/1988 Friel  
4,807,399 A 2/1989 Friel  
D303,209 S 9/1989 Friel  
D310,620 S 9/1990 Friel  
5,005,319 A 4/1991 Friel  
D328,410 S 8/1992 Friel  
5,148,634 A 9/1992 Bigliano  
5,245,791 A 9/1993 Bigliano  
5,611,726 A 3/1997 Friel

FIG. 10 is a perspective view of the second sharpening component shown removed from the first sharpening component for completeness of illustration;

FIG. 11 is a front elevational view of FIG. 10;

FIG. 12 is a rear elevational view of FIG. 10;

FIG. 13 is a top plan view of FIG. 10;

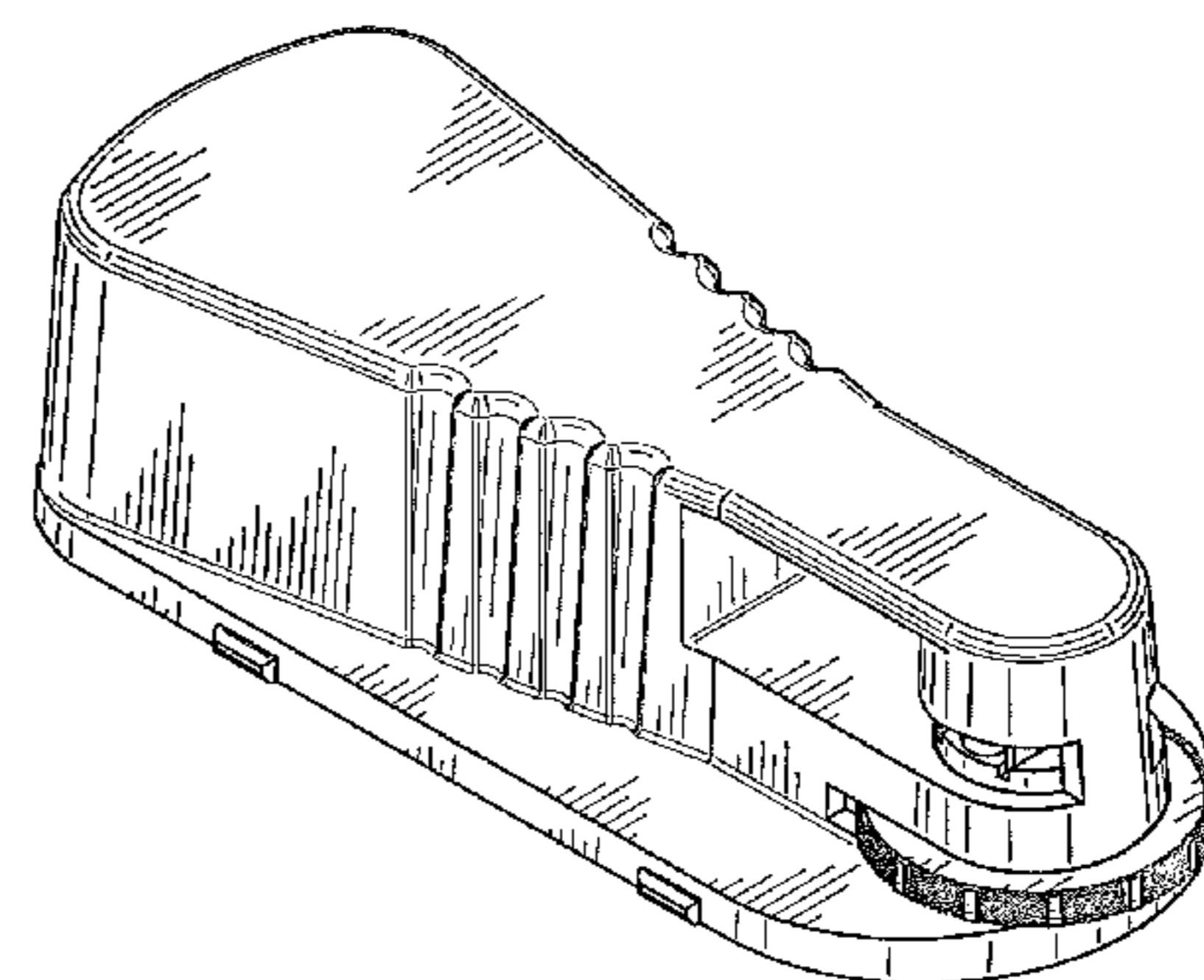
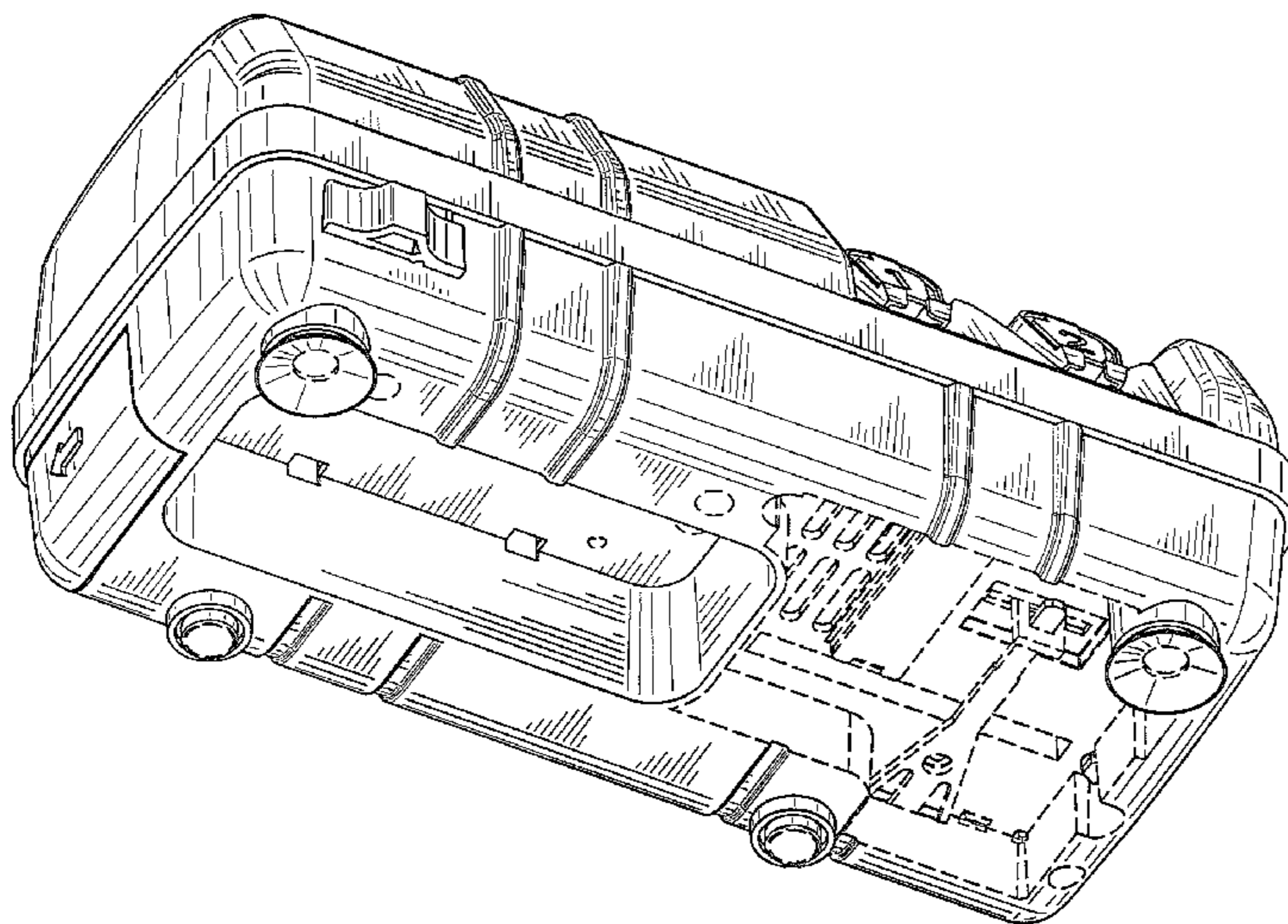
FIG. 14 is a bottom plan view of FIG. 10;

FIG. 15 is a right side view of FIG. 10; and,

FIG. 16 is a left side view of FIG. 10.

The broken lines in FIGS. 5, 8, 9 and 14 illustrate portions of the design that form no part of the claim.

**1 Claim, 12 Drawing Sheets**



(56)

**References Cited**

U.S. PATENT DOCUMENTS

6,802,763	B1 *	10/2004	Leung	451/267	7,452,262	B2	11/2008	Friel	
6,863,600	B2	3/2005	Friel		7,494,403	B2	2/2009	Friel	
6,875,093	B2	4/2005	Friel		7,517,275	B2	4/2009	Friel	
6,881,137	B2	4/2005	Friel		D605,918	S *	12/2009	Deglon	D8/63
6,932,683	B2 *	8/2005	Li	451/193	7,686,676	B2	3/2010	Friel	
6,997,795	B2	2/2006	Friel		D614,009	S *	4/2010	Deglon	D8/63
D542,616	S	5/2007	Elek		D620,332	S	7/2010	Elek	
D543,430	S	5/2007	Barr		D632,153	S *	2/2011	Walker et al.	D8/93
7,235,004	B2	6/2007	Friel		8,043,143	B2	10/2011	Elek	
7,287,445	B2	10/2007	Friel		D651,887	S	1/2012	Elek	
D567,611	S	4/2008	Elek		D652,284	S	1/2012	Elek	
D575,124	S *	8/2008	Smith	D8/63	D665,647	S	8/2012	Friel	
7,448,241	B2	11/2008	Davies		8,267,750	B2	9/2012	Friel	
					D680,399	S *	4/2013	Elek et al.	D8/63
					2009/0233530	A1	9/2009	Friel	

\* cited by examiner

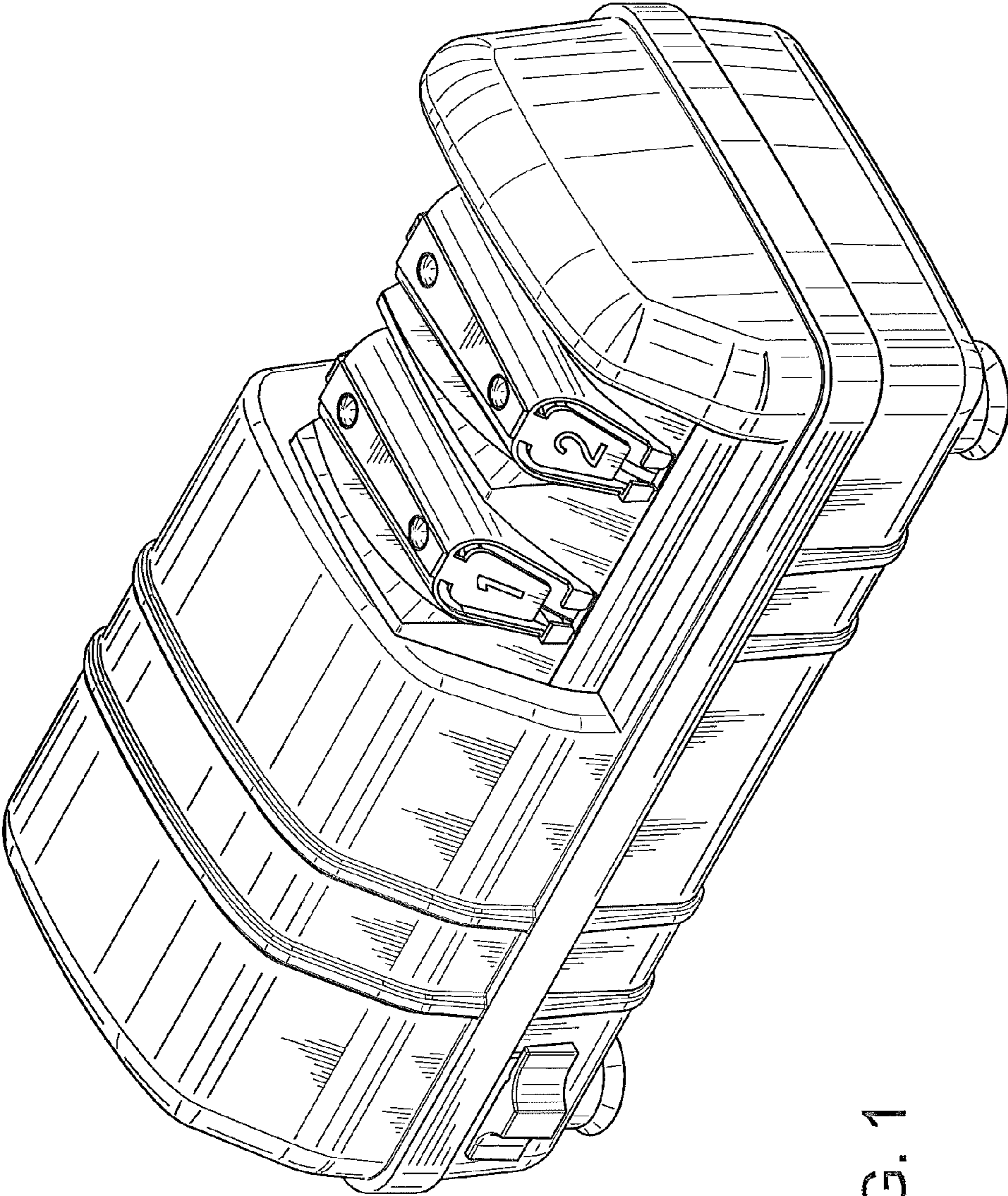


FIG. 1

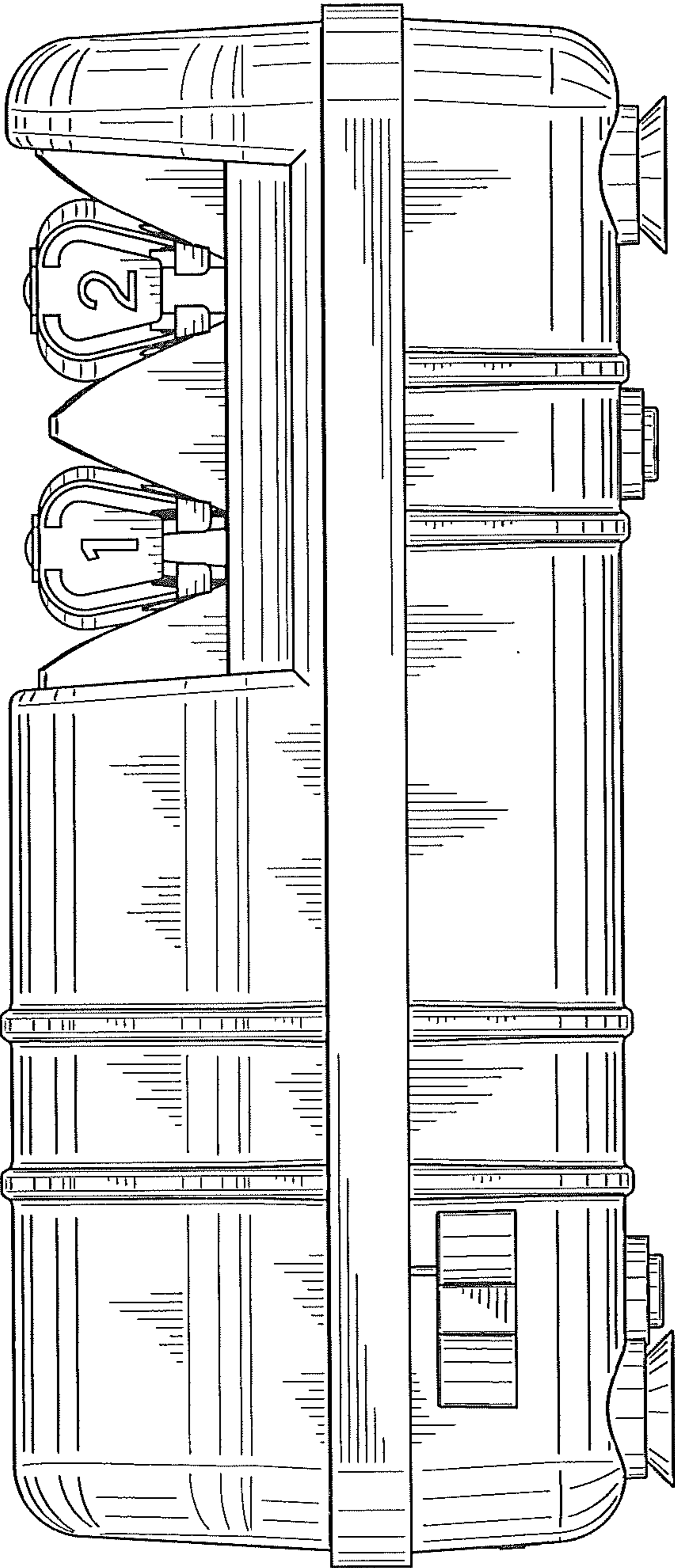


FIG. 2

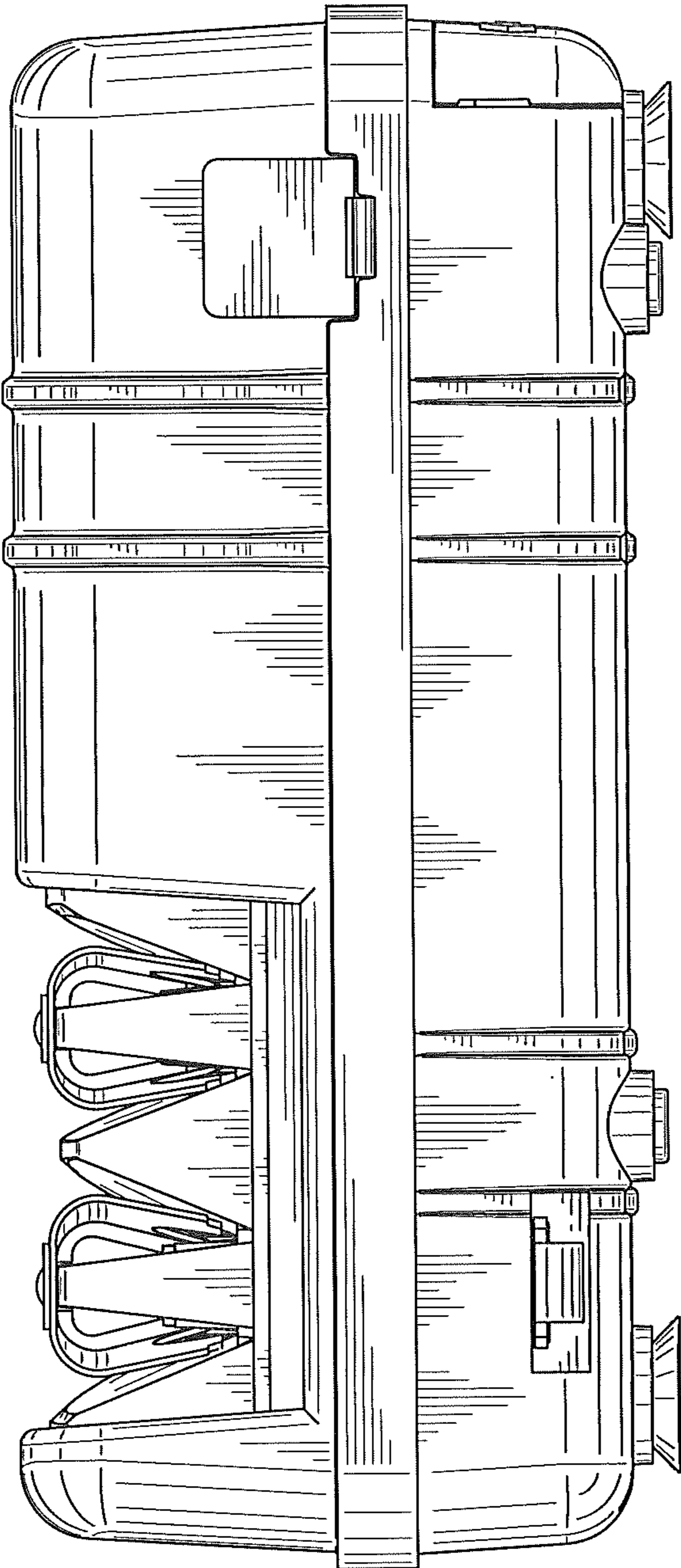


FIG. 3

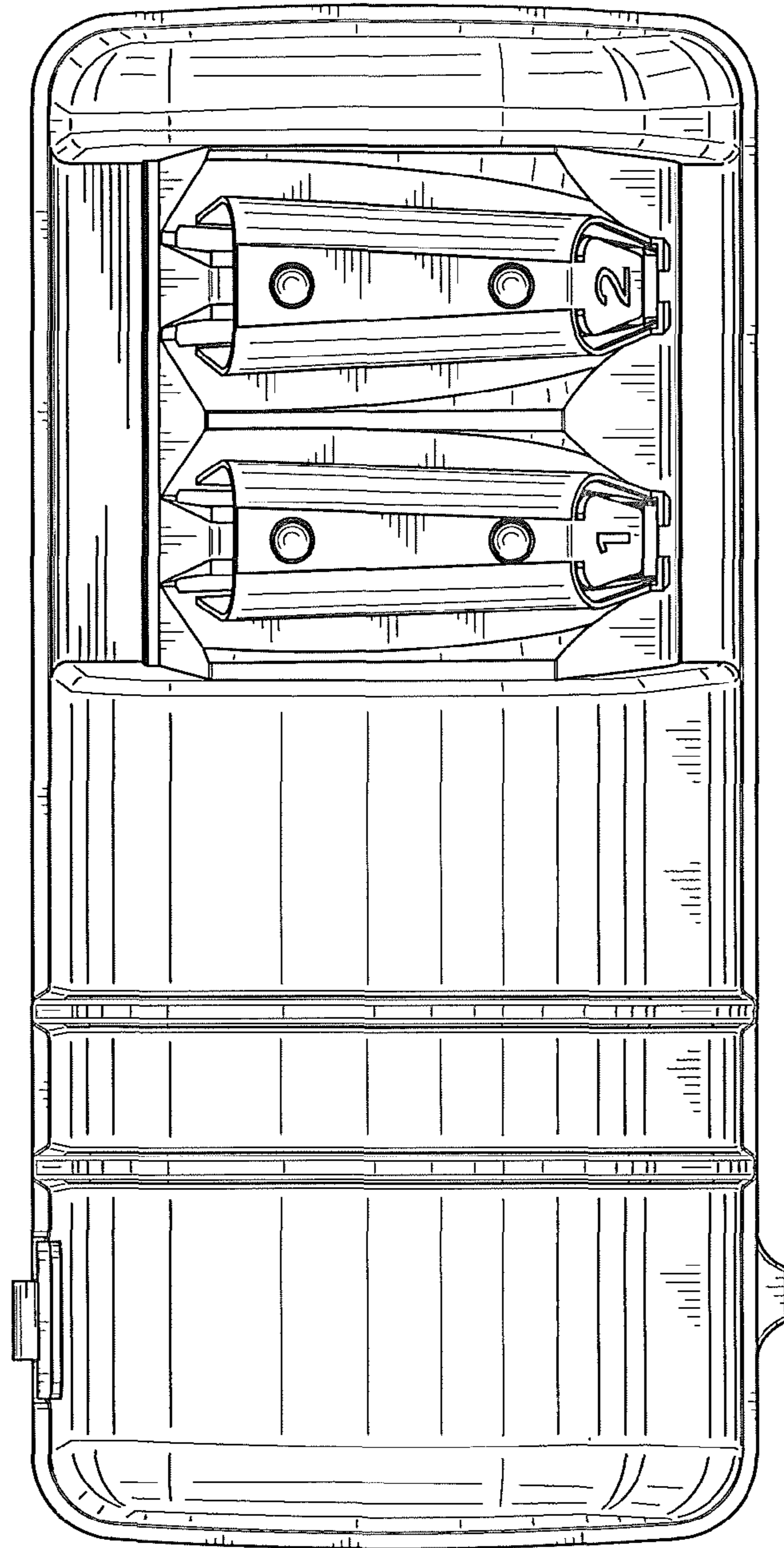


FIG. 4

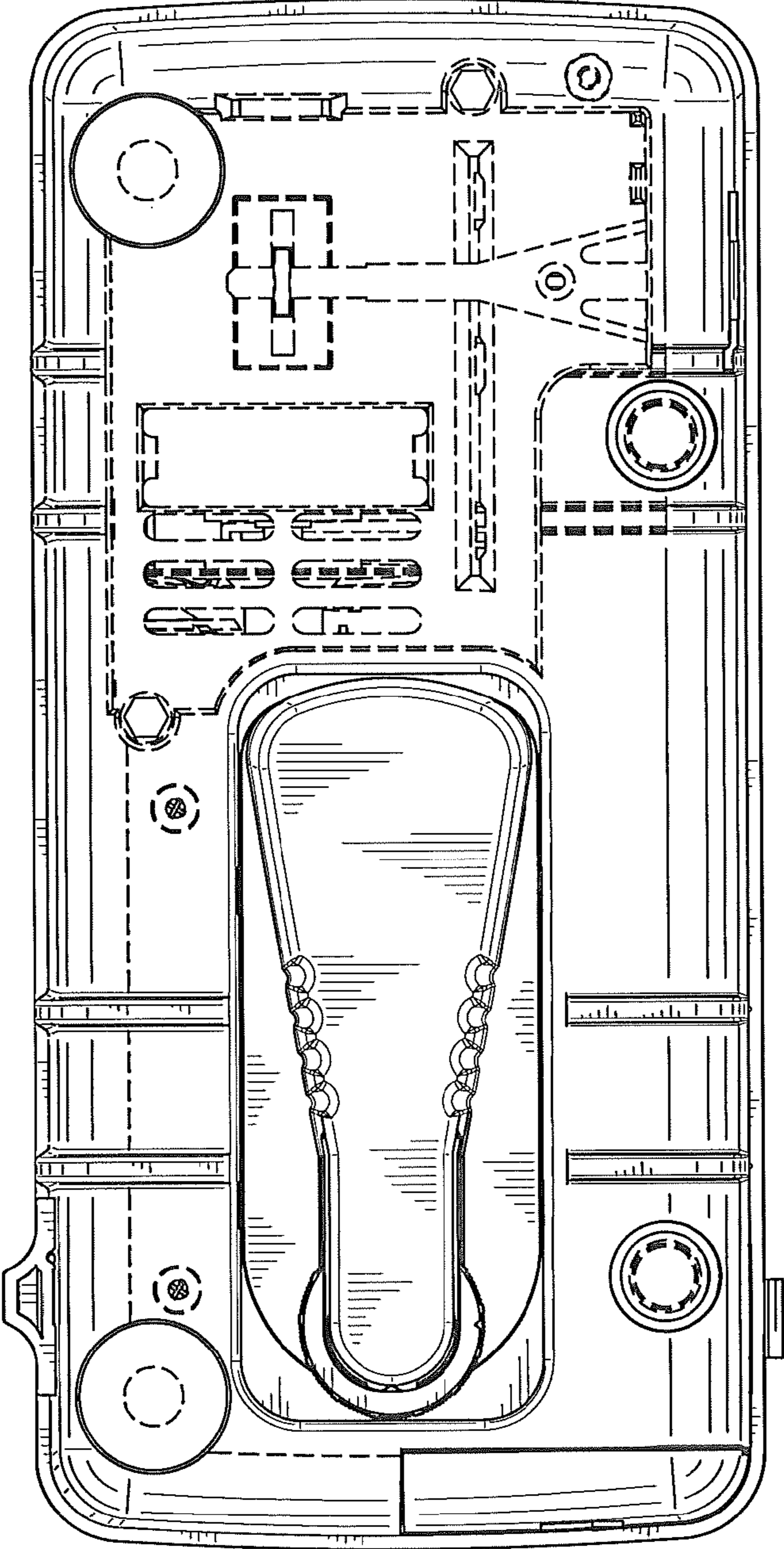


FIG. 5

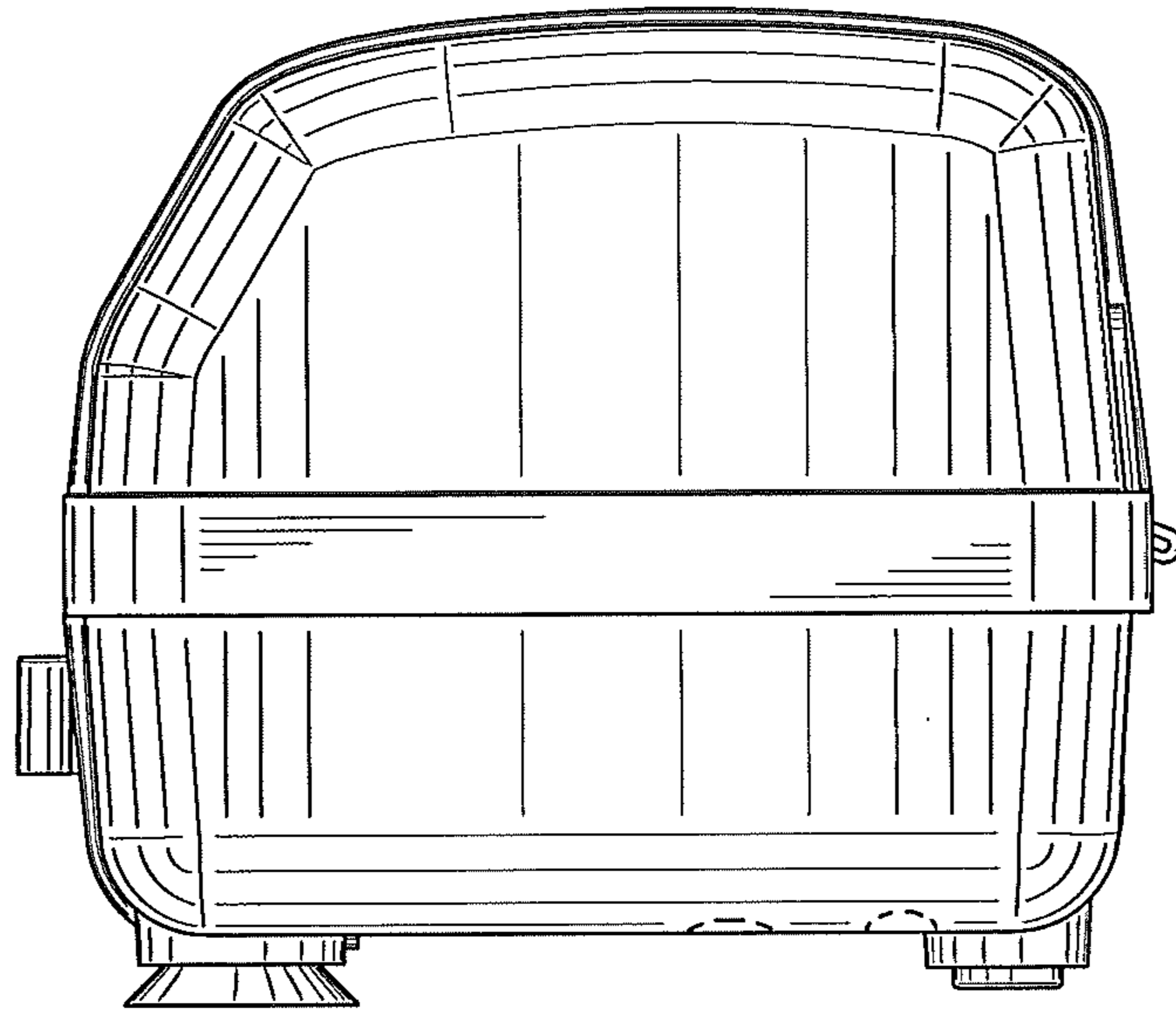


FIG. 6

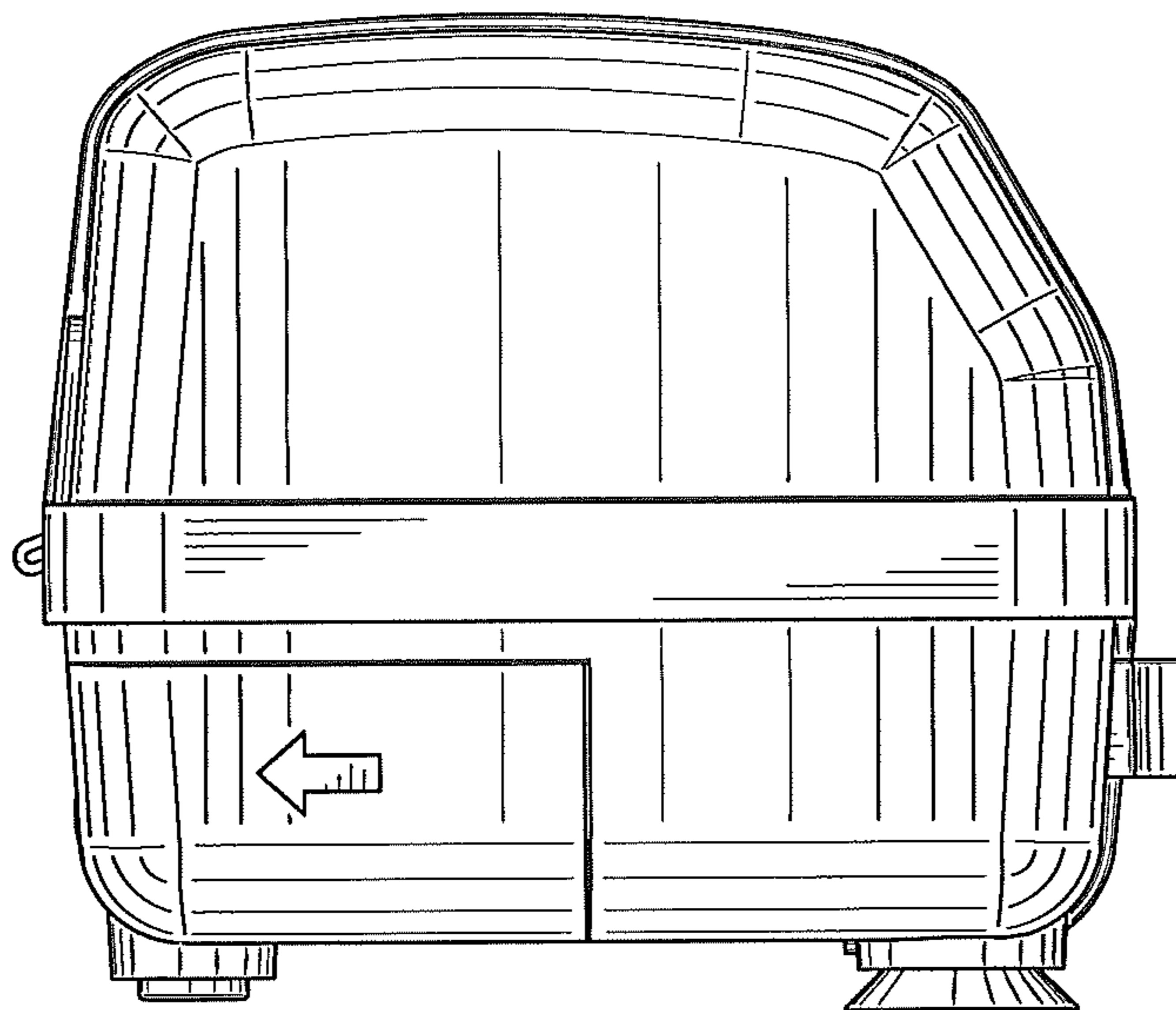


FIG. 7



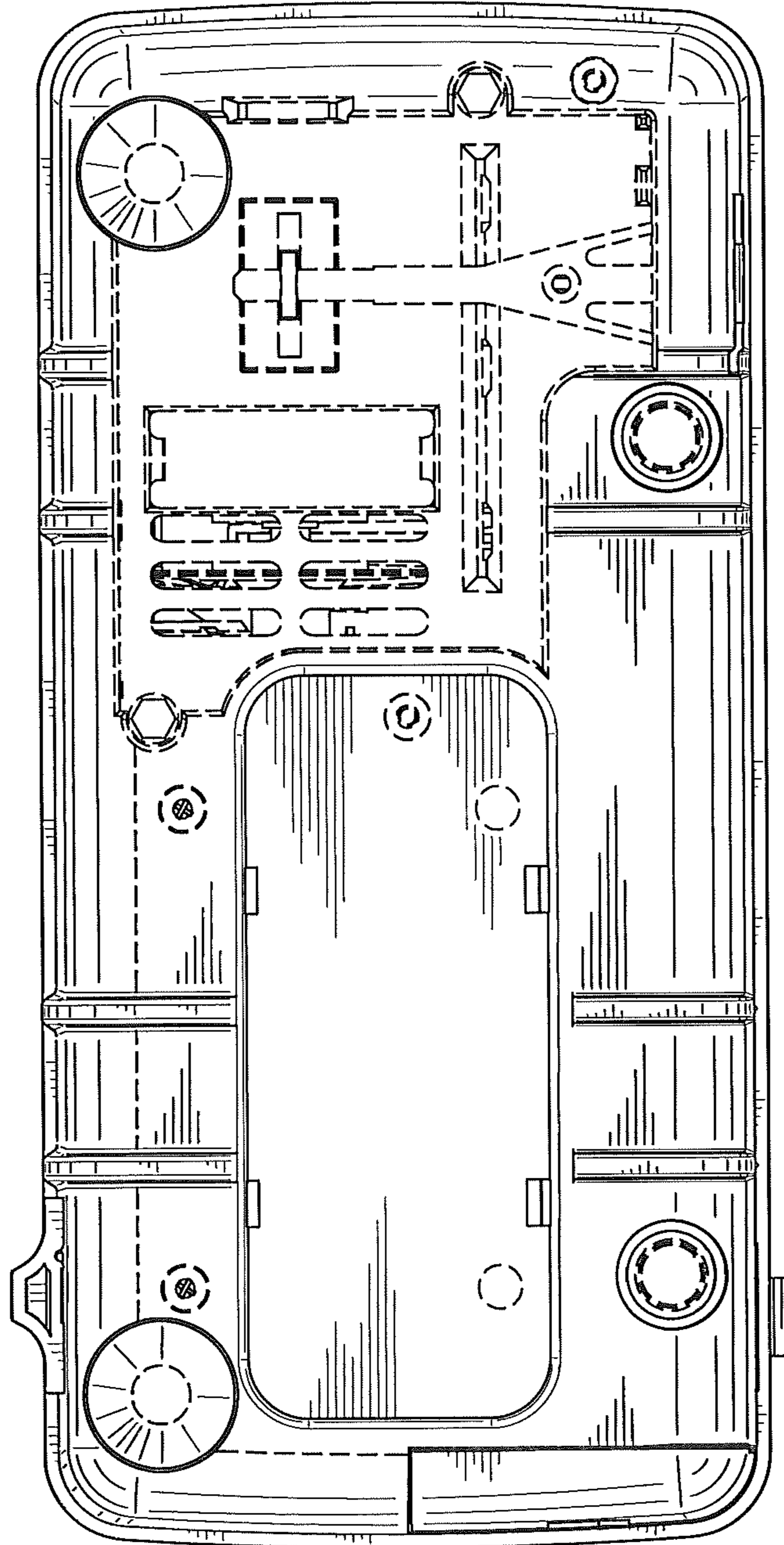


FIG. 8

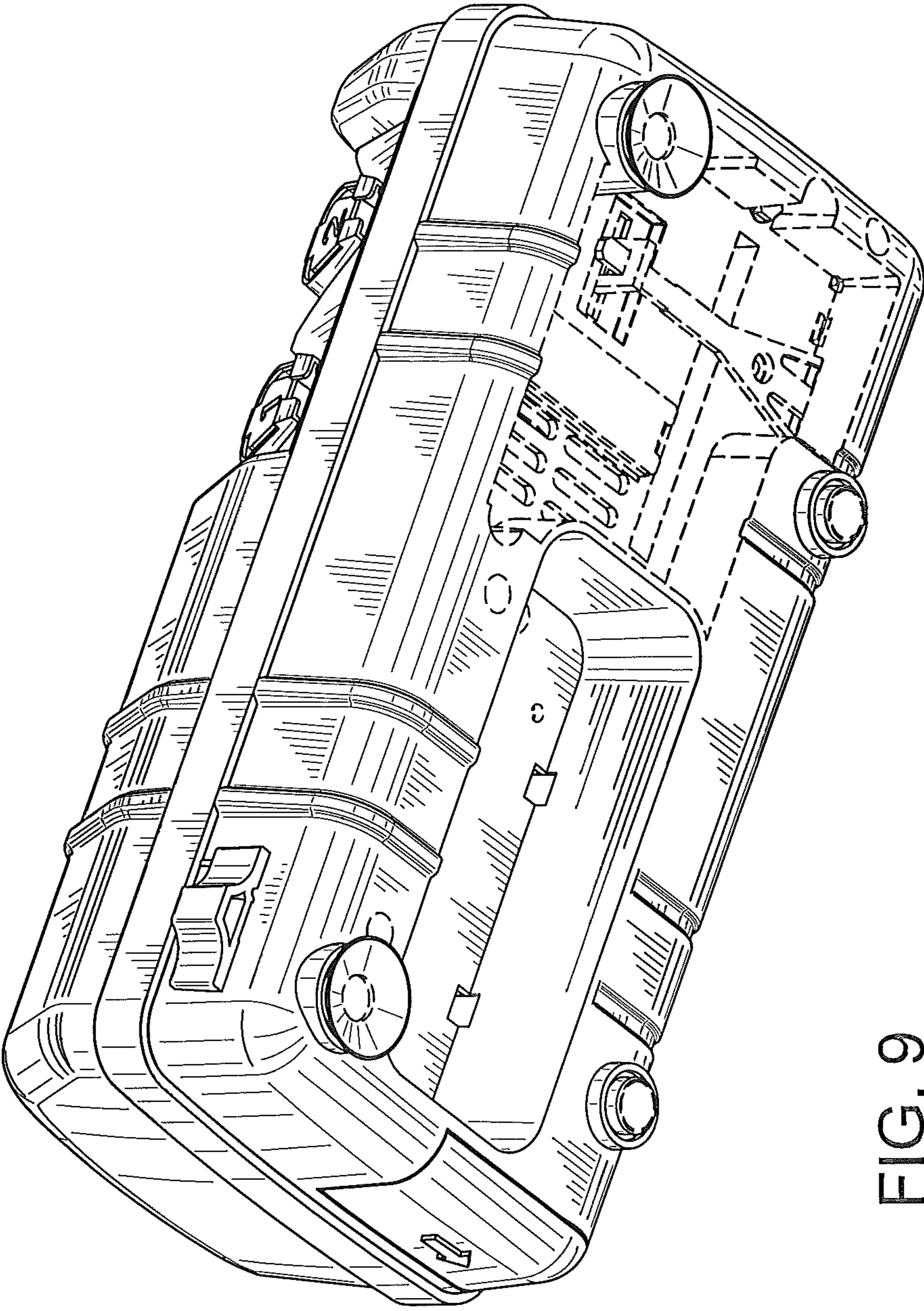


FIG. 9

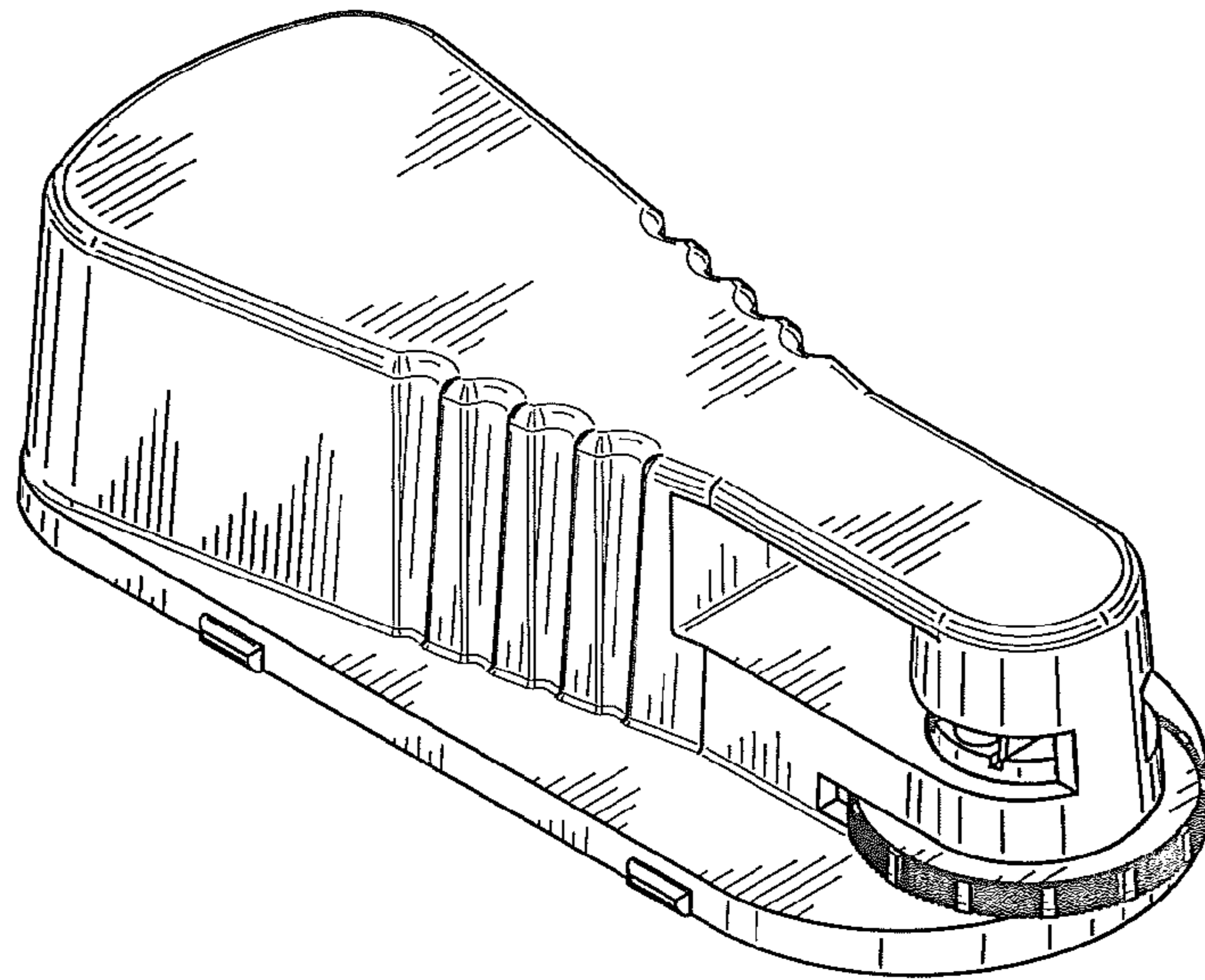


FIG. 10

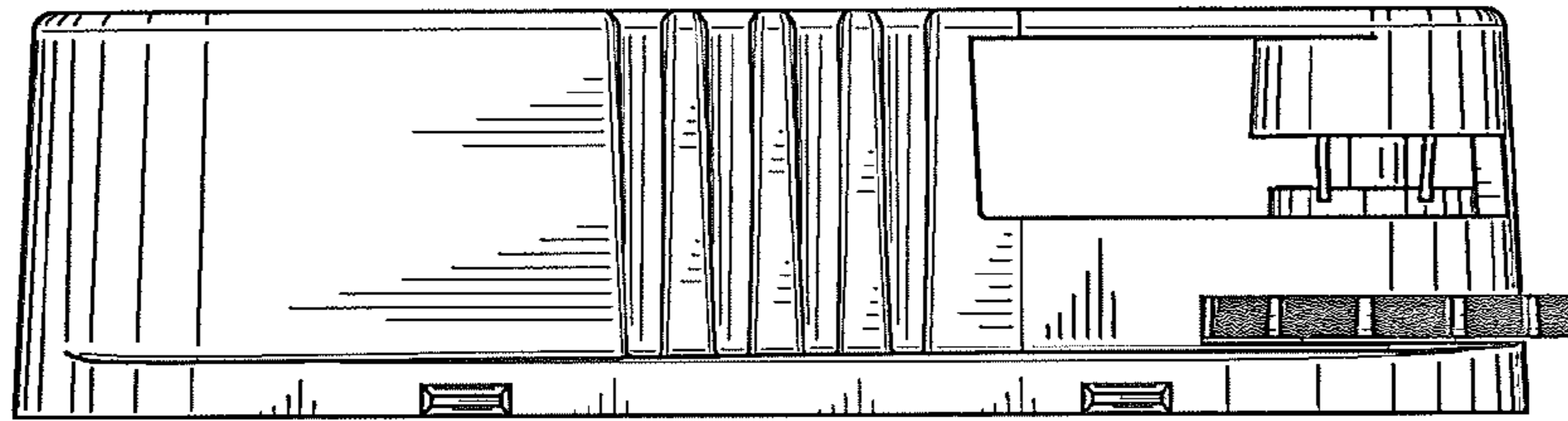


FIG. 11

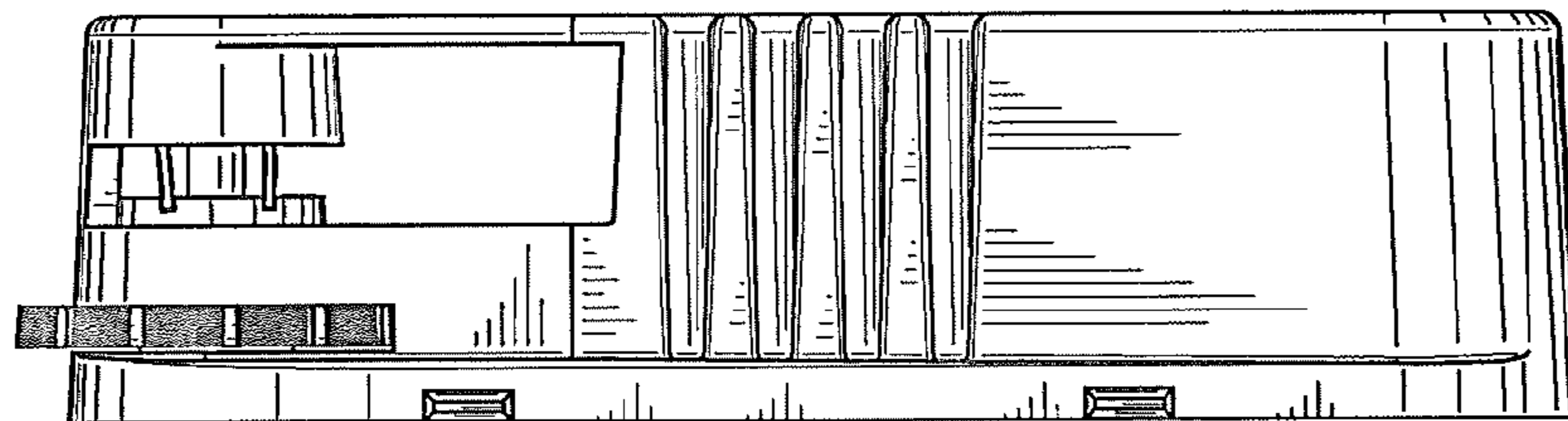


FIG. 12

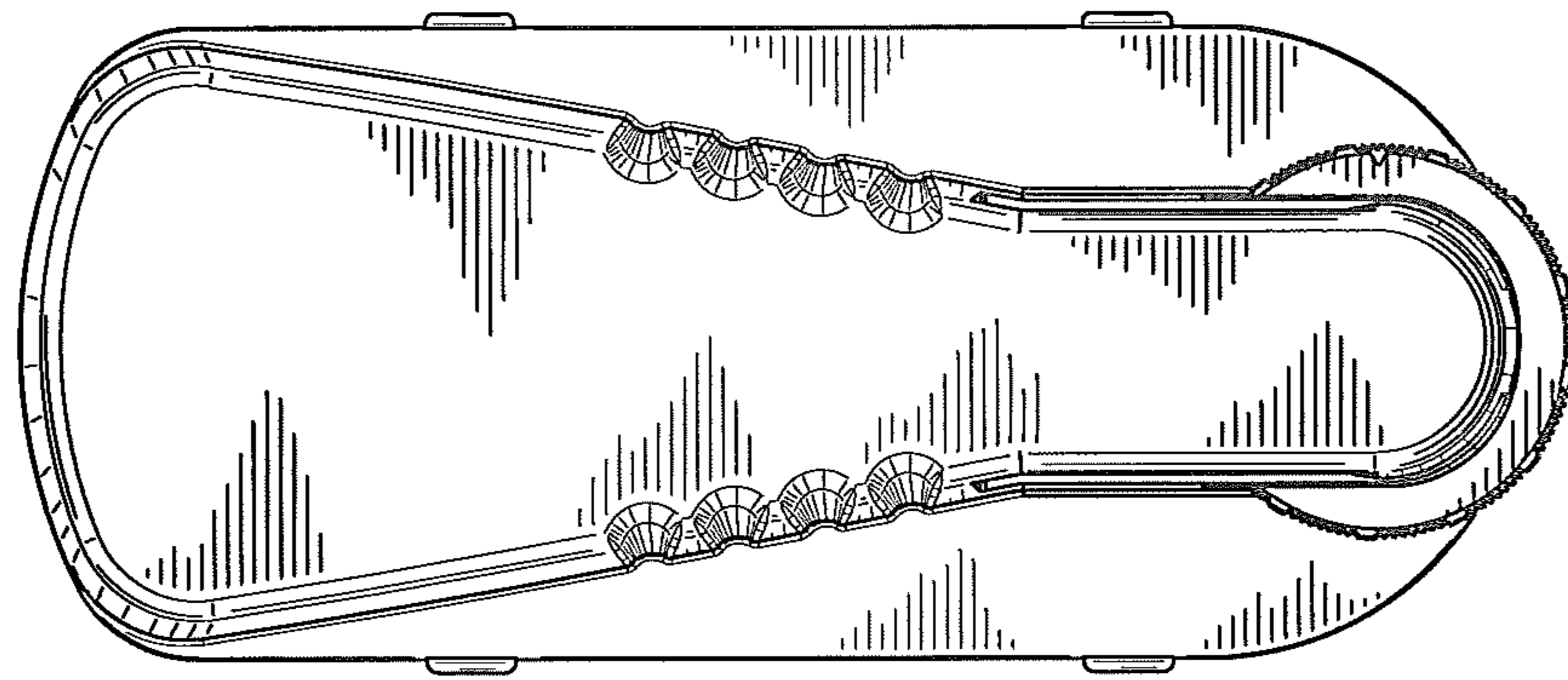


FIG. 13

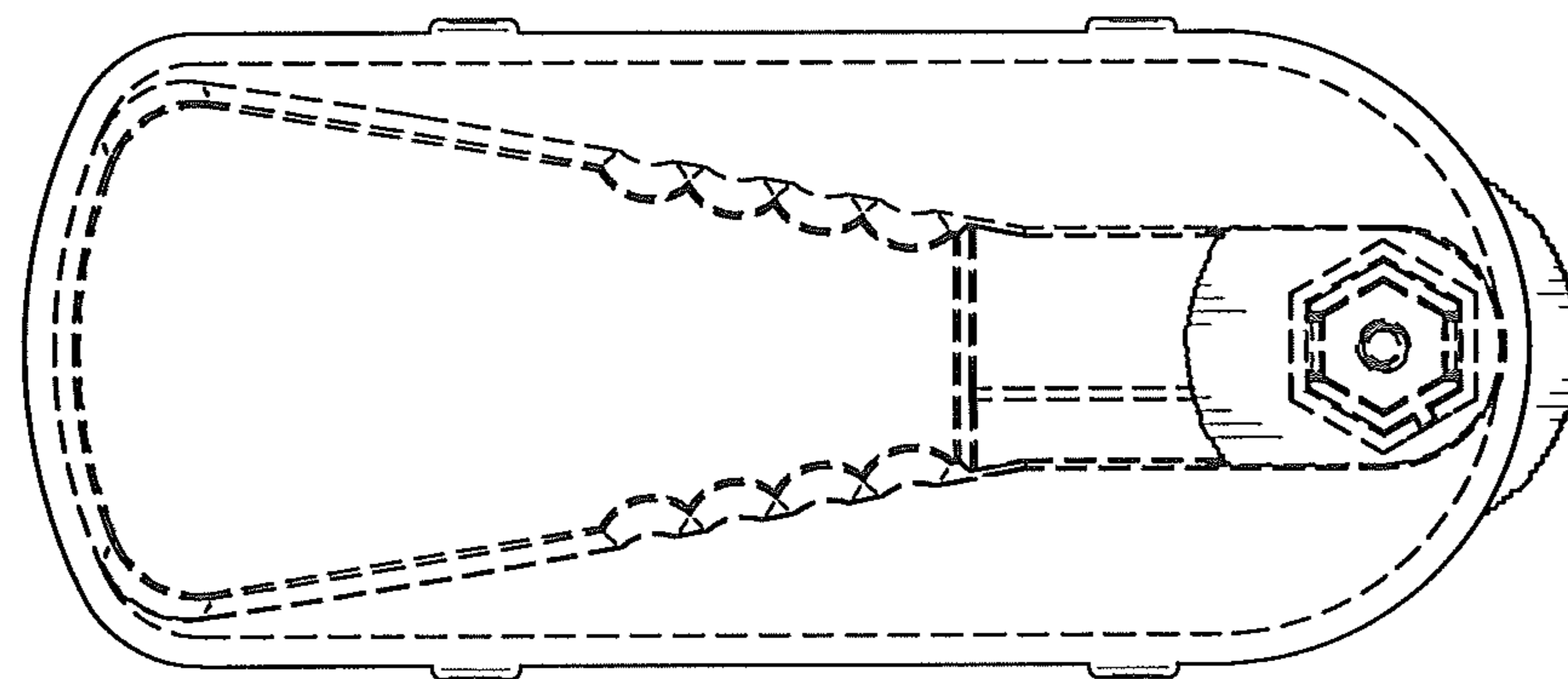


FIG. 14

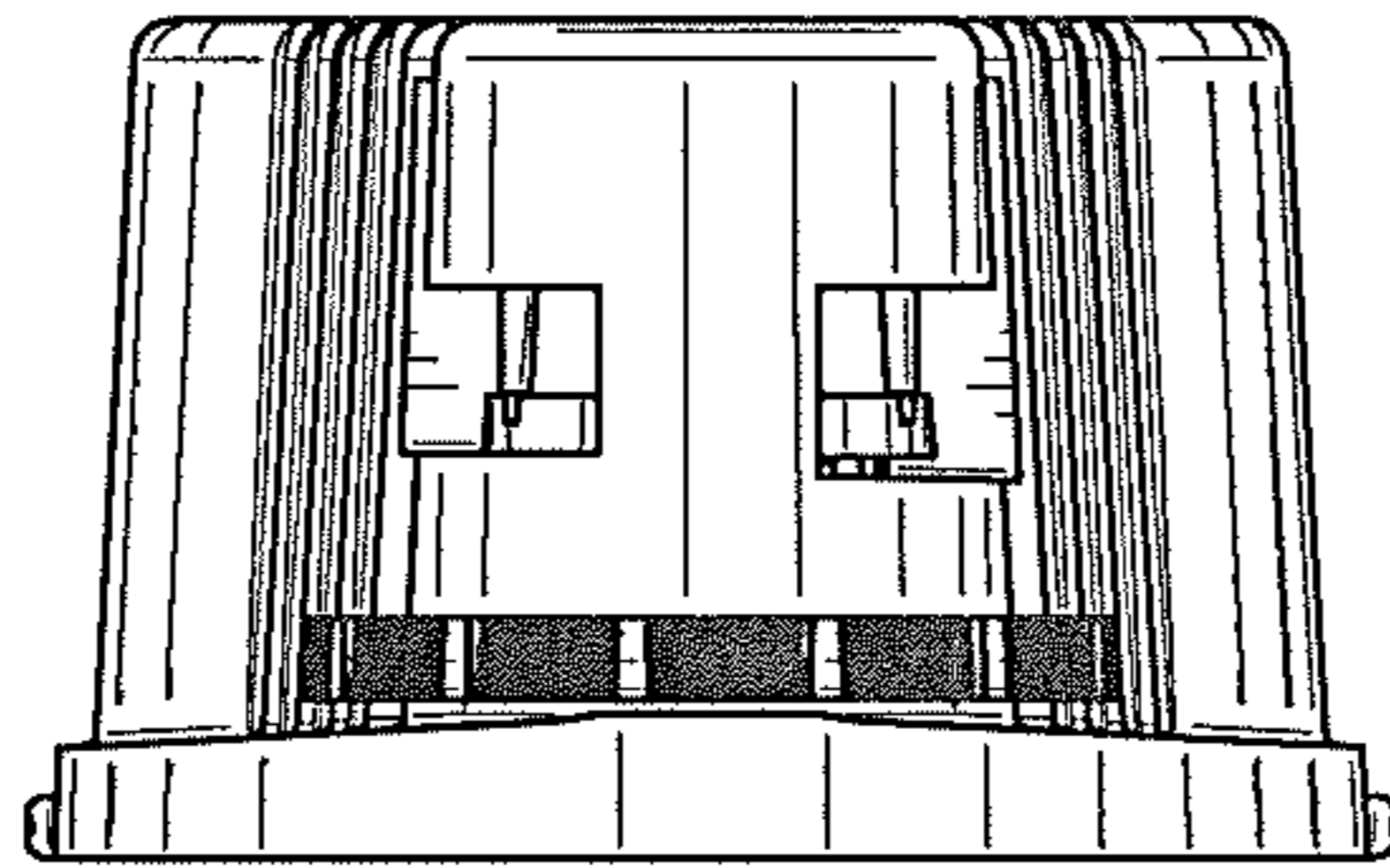


FIG. 15

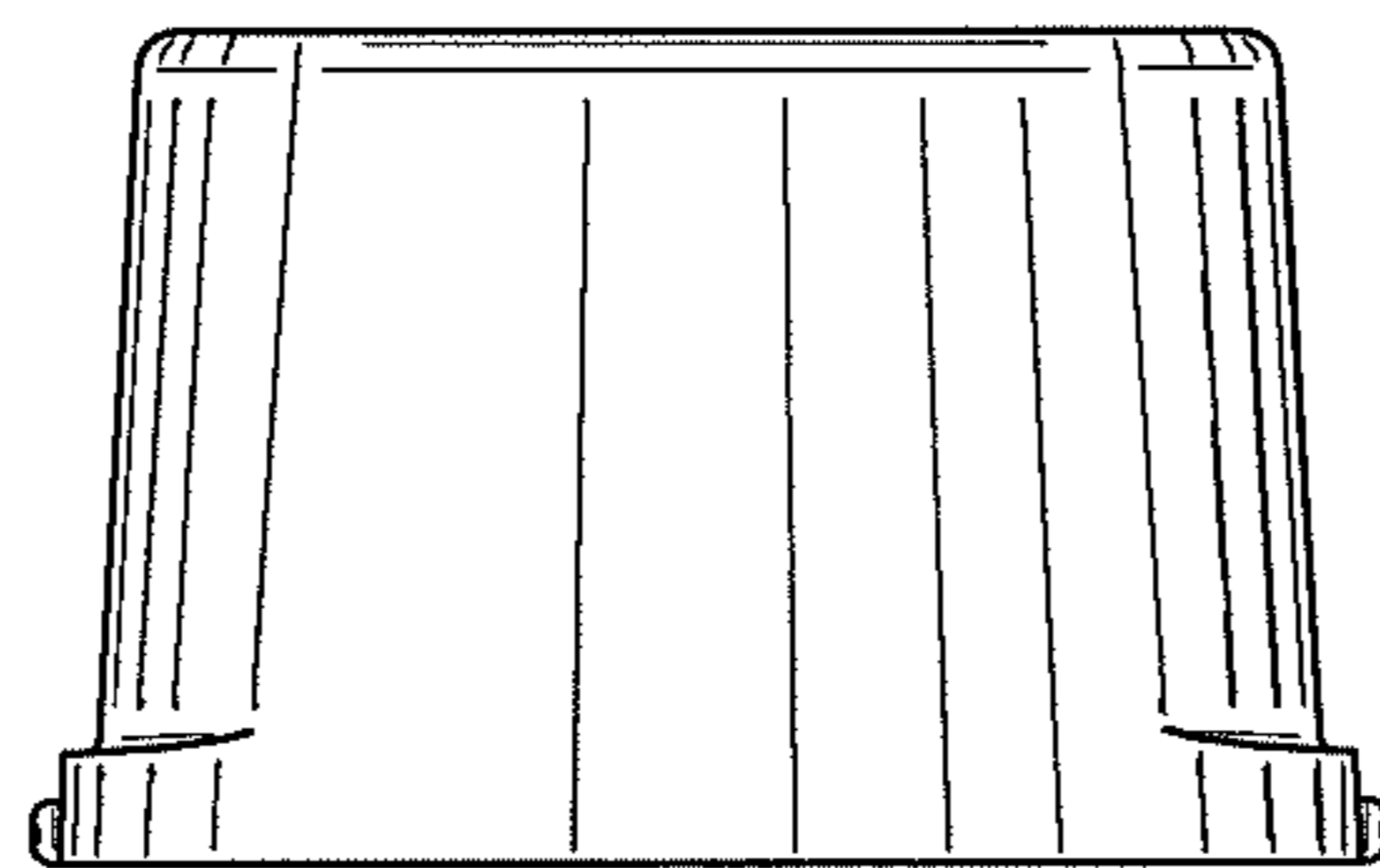


FIG. 16