



US00D705623S

(12) **United States Design Patent**
Groten et al.

(10) **Patent No.:** **US D705,623 S**

(45) **Date of Patent:** **** May 27, 2014**

(54) **TUBE CUTTER**

(75) Inventors: **Alberto Groten**, Irun (ES); **Manuel Aizpurua**, Irun (ES)

(73) Assignee: **Zenten Bernhard Groten, S.L.**, Irun (ES)

(**) Term: **14 Years**

(21) Appl. No.: **29/420,997**

(22) Filed: **May 15, 2012**

(30) **Foreign Application Priority Data**

Nov. 16, 2011 (EM) 001948316-0001

(51) **LOC (10) Cl.** **08-05**

(52) **U.S. Cl.**
USPC **D8/60**

(58) **Field of Classification Search**
USPC D8/60, 52; 30/95, 96, 101, 102, 91.2
See application file for complete search history.

(56) **References Cited**

U.S. PATENT DOCUMENTS

D158,536 S *	5/1950	Wolcott	D8/60
D161,438 S *	1/1951	Franck	D8/60
2,787,054 A *	4/1957	Franck	30/102
D191,011 S *	8/1961	Noveske	D8/60
3,022,575 A *	2/1962	Wright	30/102
D192,447 S *	3/1962	Ayer	D8/60
3,171,199 A *	3/1965	Meese	30/94
3,403,442 A *	10/1968	Reese et al.	30/164.95
4,084,317 A	4/1978	Nakamura		
D252,666 S	8/1979	Sakamoto		
RE30,613 E	5/1981	Nakamura		
D270,514 S	9/1983	Muromoto		
5,345,682 A *	9/1994	Dubinsky et al.	30/102
D384,869 S	10/1997	Aubriot		

D399,399 S *	10/1998	Huang	D8/60
D423,895 S	5/2000	Azkona		
6,098,291 A	8/2000	Wang		
D449,208 S	10/2001	Ping		
6,305,087 B1	10/2001	Huang		
6,513,245 B1	2/2003	Aubriot		
D497,784 S	11/2004	Picaza		
7,127,819 B1	10/2006	Huang		
D574,678 S	8/2008	Lin		
D581,233 S	11/2008	Sullivan		
D612,221 S	3/2010	Groten		
D612,699 S	3/2010	Groten		
7,934,317 B2 *	5/2011	Chiu	30/102
D675,499 S *	2/2013	Faucher	D8/60
2008/0141538 A1	6/2008	Nandkumar		
2008/0307657 A1	12/2008	Macsay		

* cited by examiner

Primary Examiner — Sheryl Lane

(74) *Attorney, Agent, or Firm* — Cook Alex Ltd.

(57) **CLAIM**

The ornamental design for the tube cutter, as shown and described.

DESCRIPTION

FIG. 1 is a front elevation view of a tube cutter showing our new design;

FIG. 2 is a rear elevation view thereof;

FIG. 3 is an elevational view taken from the left-hand side of FIG. 1.

FIG. 4 is an elevational view taken from the right-hand side of FIG. 1;

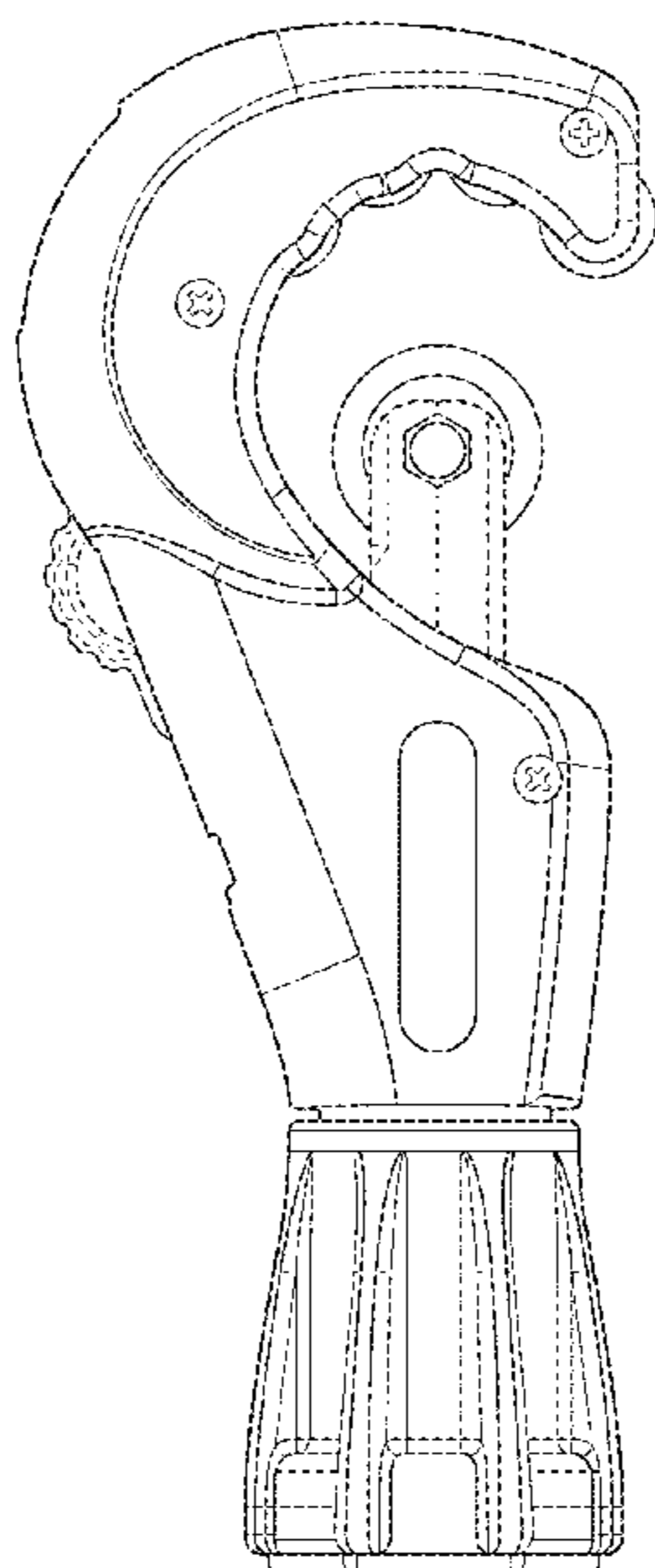
FIG. 5 is a top view of the tube cutter of FIG. 1;

FIG. 6 is a bottom view of the tube cutter of FIG. 1; and,

FIG. 7 is a perspective view of the tube cutter of FIG. 1.

Portions of the article shown in broken lines form no part of the claimed design.

1 Claim, 5 Drawing Sheets



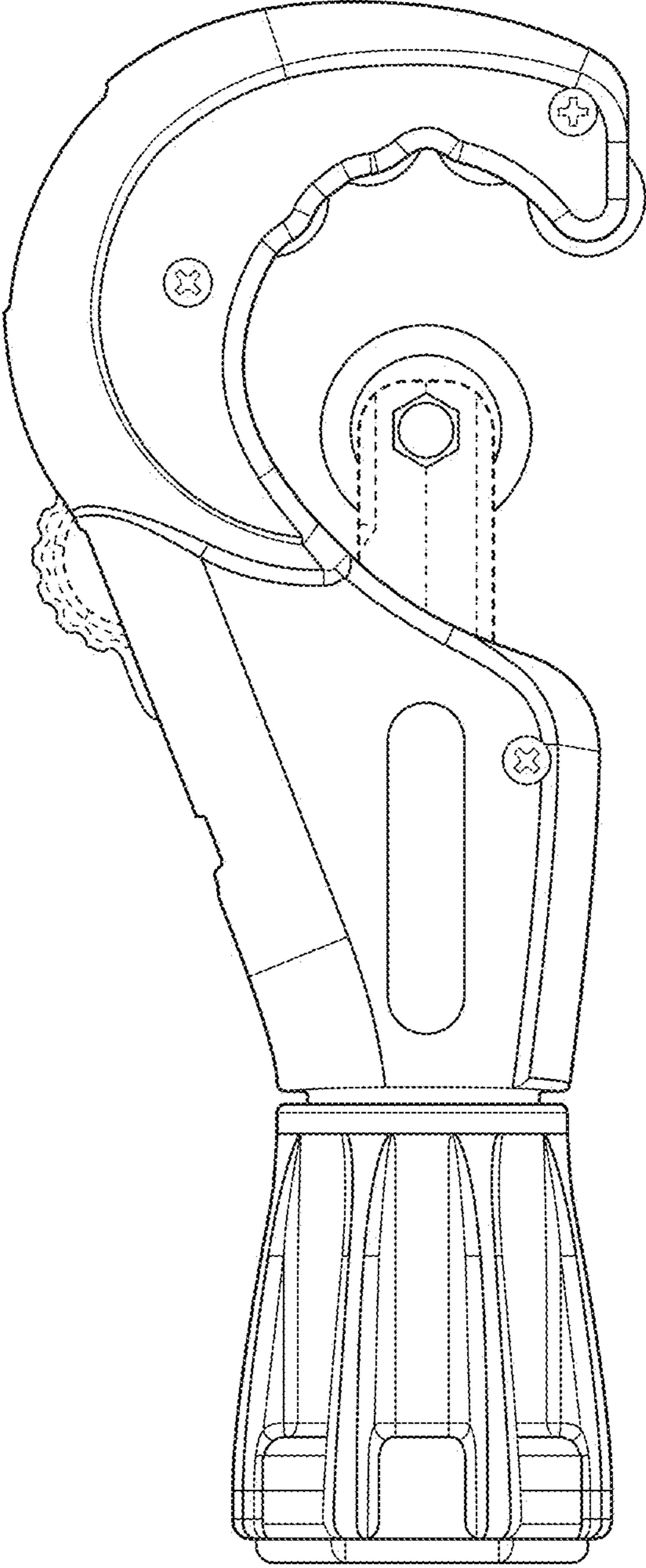


FIG. 1

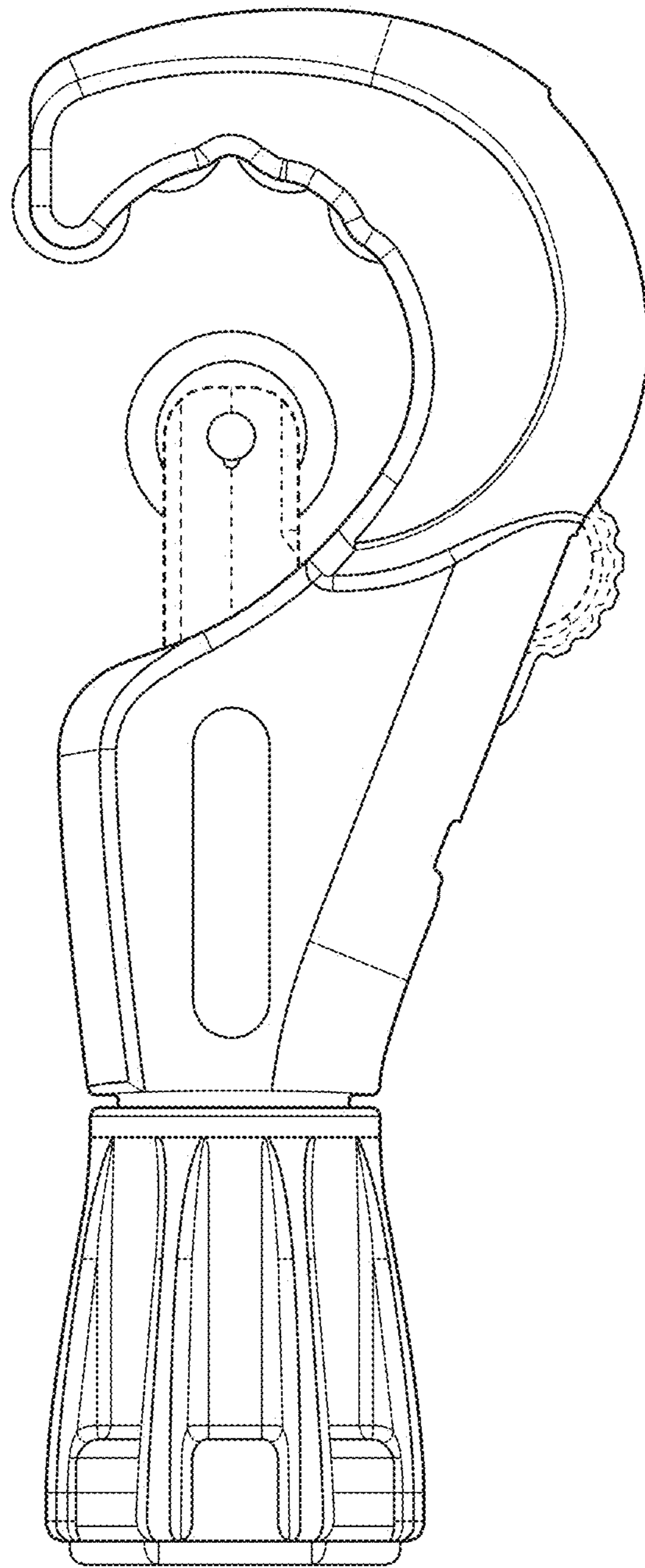


FIG. 2

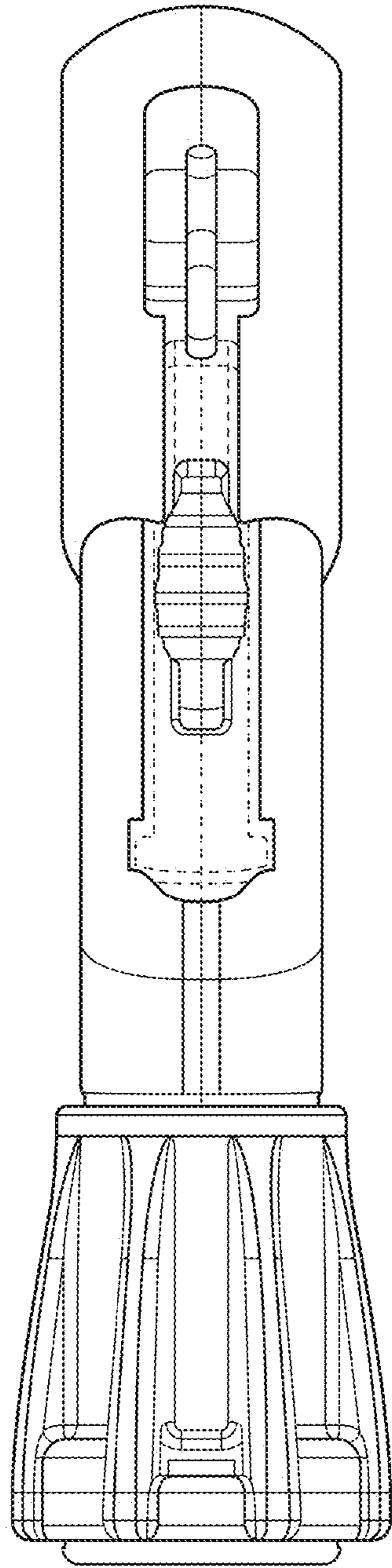


FIG. 3

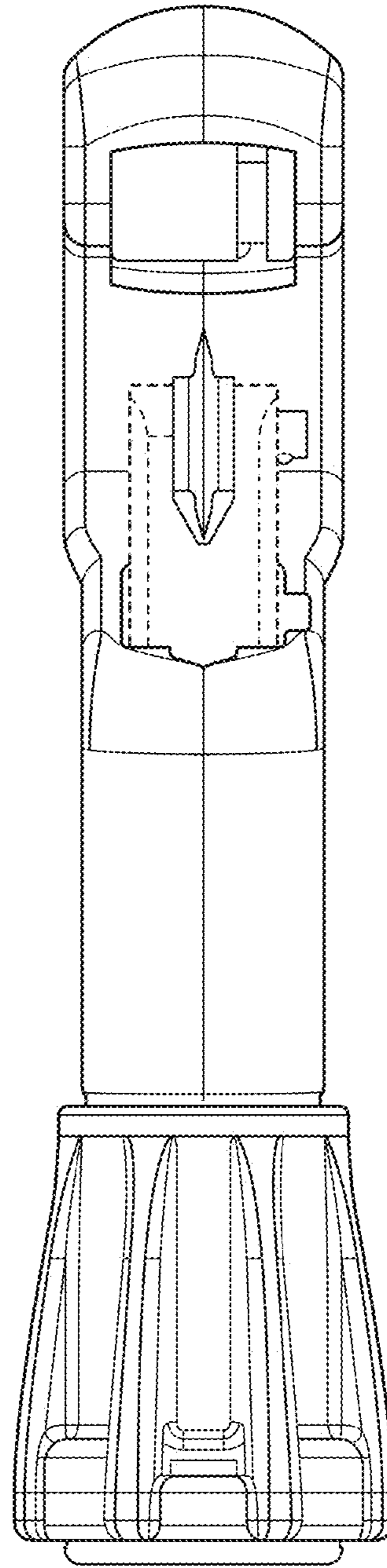


FIG. 4

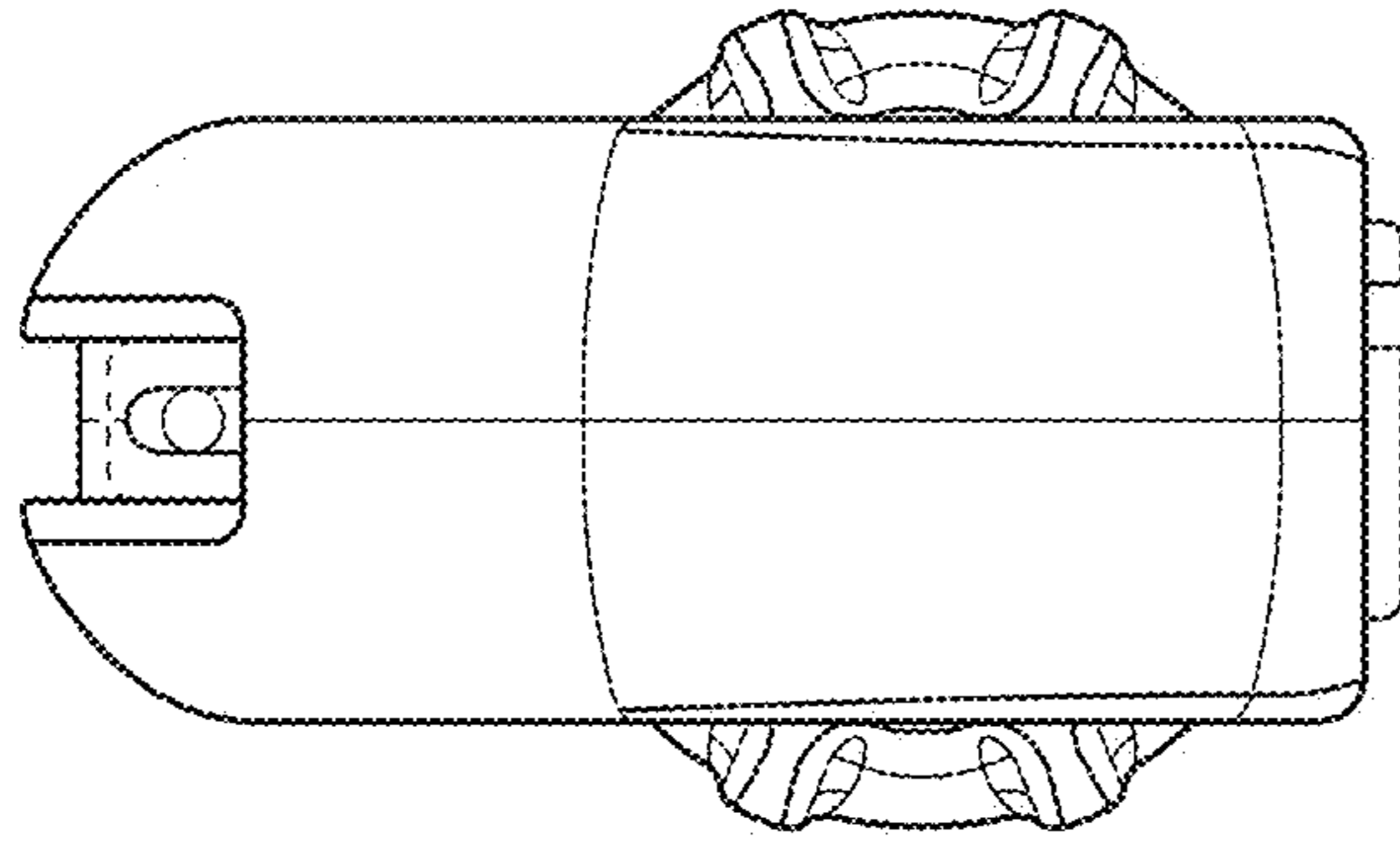


FIG. 5

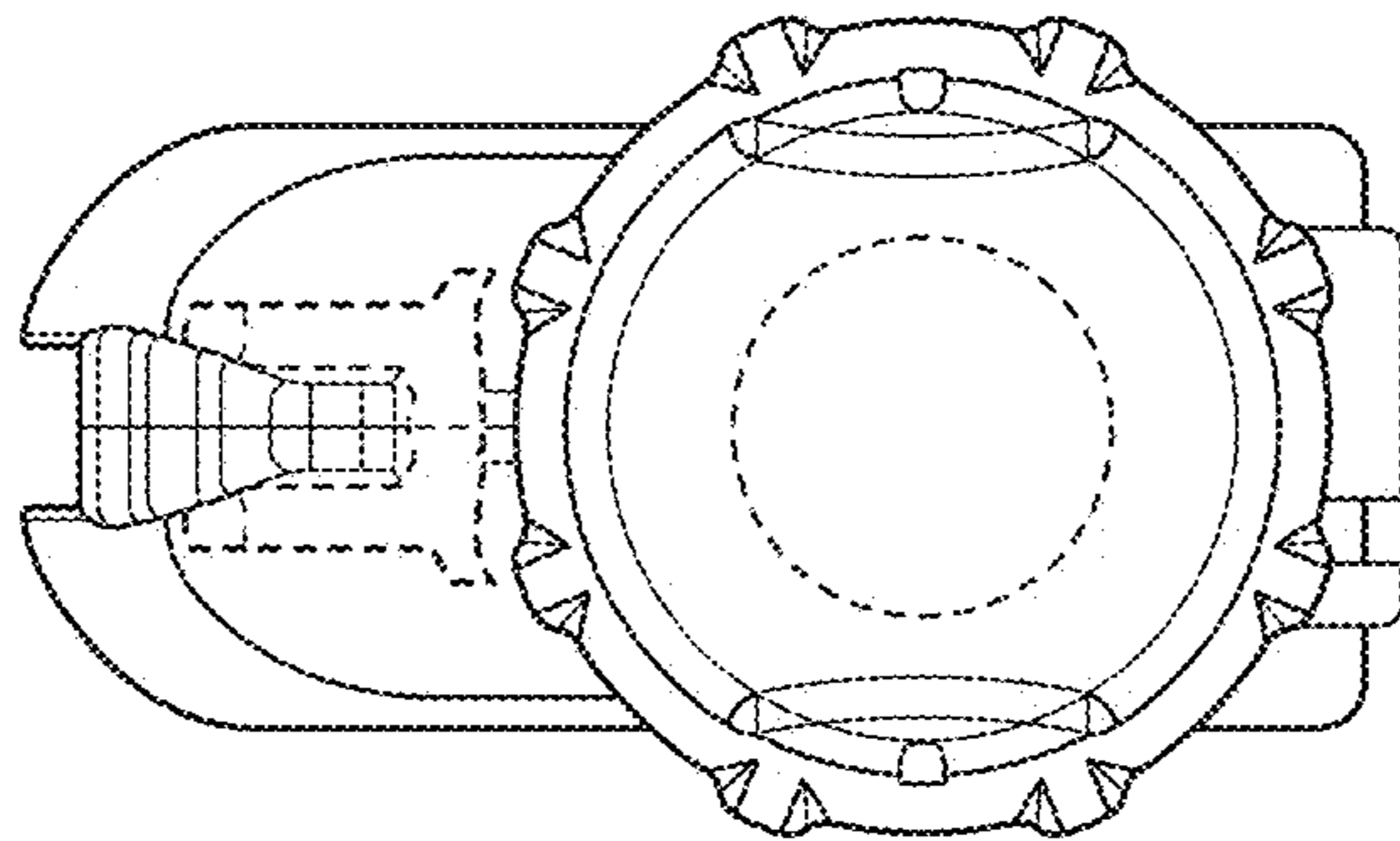


FIG. 6

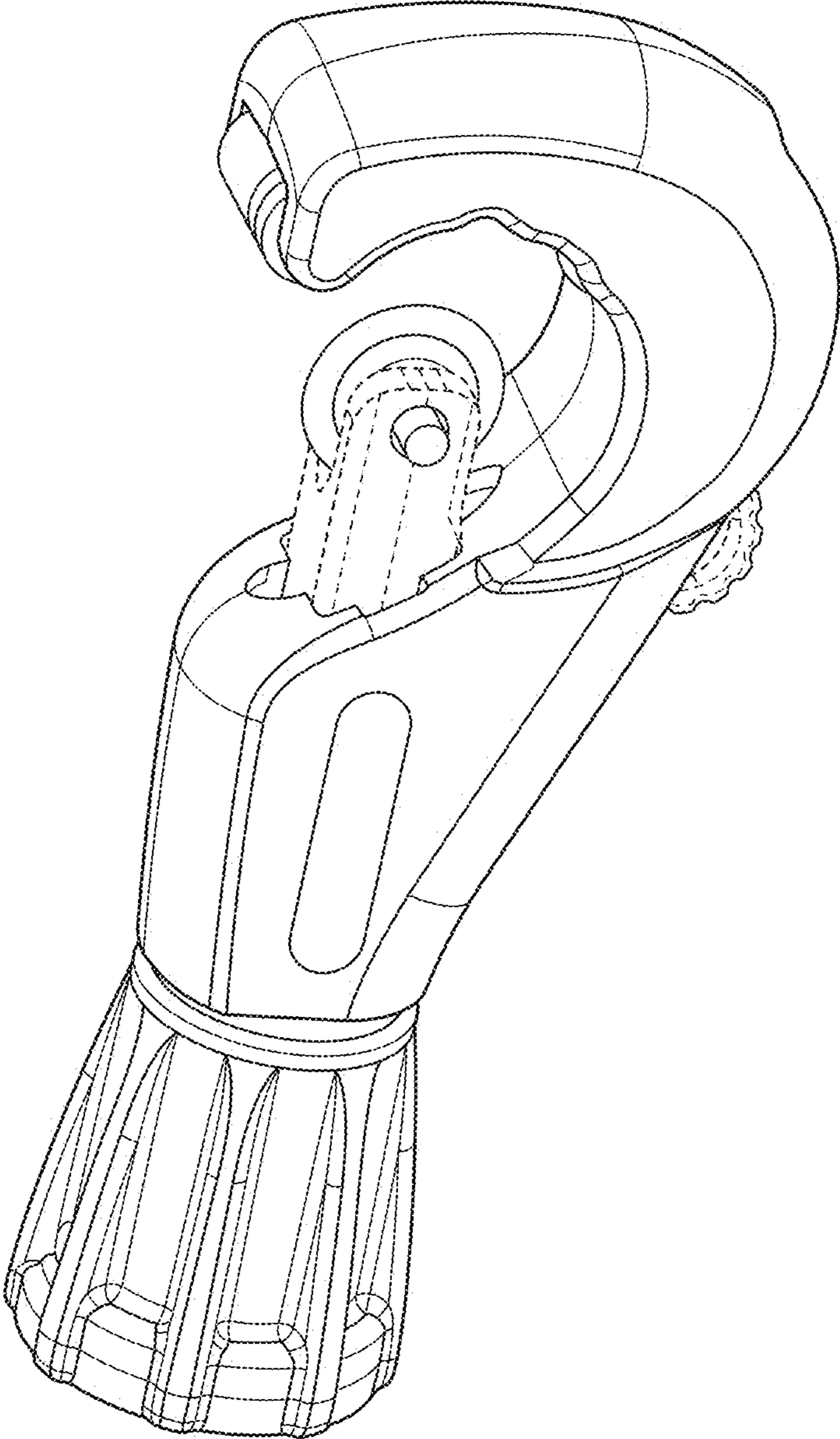


FIG. 7