



US00D705618S

(12) **United States Design Patent**  
**Reid, Jr.**

(10) **Patent No.:** **US D705,618 S**  
(45) **Date of Patent:** **\*\* May 27, 2014**

(54) **ORGANIZER FOR BOTTLES AND CANS**

(71) Applicant: **James D. Reid, Jr.**, Irvington, VA (US)

(72) Inventor: **James D. Reid, Jr.**, Irvington, VA (US)

(\*\*) Term: **14 Years**

(21) Appl. No.: **29/478,212**

(22) Filed: **Jan. 2, 2014**

**Related U.S. Application Data**

(62) Division of application No. 29/426,212, filed on Jul. 2, 2012, now Pat. No. Des. 699,085.

(51) **LOC (10) Cl.** ..... **06-04**

(52) **U.S. Cl.**  
USPC ..... **D7/701**

(58) **Field of Classification Search**  
USPC ..... D7/600.1-600.4, 701-708; 211/74,  
211/71.01, 70.6, 70.7, 85.18-85.23, 88.01,  
211/90.1, 126.1; D3/304, 313  
See application file for complete search history.

(56) **References Cited**

**U.S. PATENT DOCUMENTS**

- D311,115 S \* 10/1990 Abraham ..... D7/708
- D323,447 S \* 1/1992 Booz ..... D7/705
- D330,513 S \* 10/1992 Gilchrist ..... D7/703
- D381,515 S \* 7/1997 Haynes ..... D3/313
- D538,538 S \* 3/2007 Espinosa ..... D3/313
- D551,038 S \* 9/2007 Evaimalo et al. .... D7/708

- D597,370 S \* 8/2009 Watkins ..... D7/354
- D608,609 S \* 1/2010 Eaton ..... D7/701
- D650,636 S \* 12/2011 Roth ..... D7/600.1
- D656,363 S \* 3/2012 Tiemann et al. .... D7/601
- 2002/0108917 A1\* 8/2002 Maruyama ..... 211/74

\* cited by examiner

*Primary Examiner* — Terry Wallace

(74) *Attorney, Agent, or Firm* — Brian J. Teague

(57) **CLAIM**

I claim the ornamental design for an organizer for bottles and cans, as shown and described.

**DESCRIPTION**

FIG. 1 is a perspective view of an organizer for bottles and cans showing the new design.

FIG. 2 is a top view thereof.

FIG. 3 is a bottom view thereof.

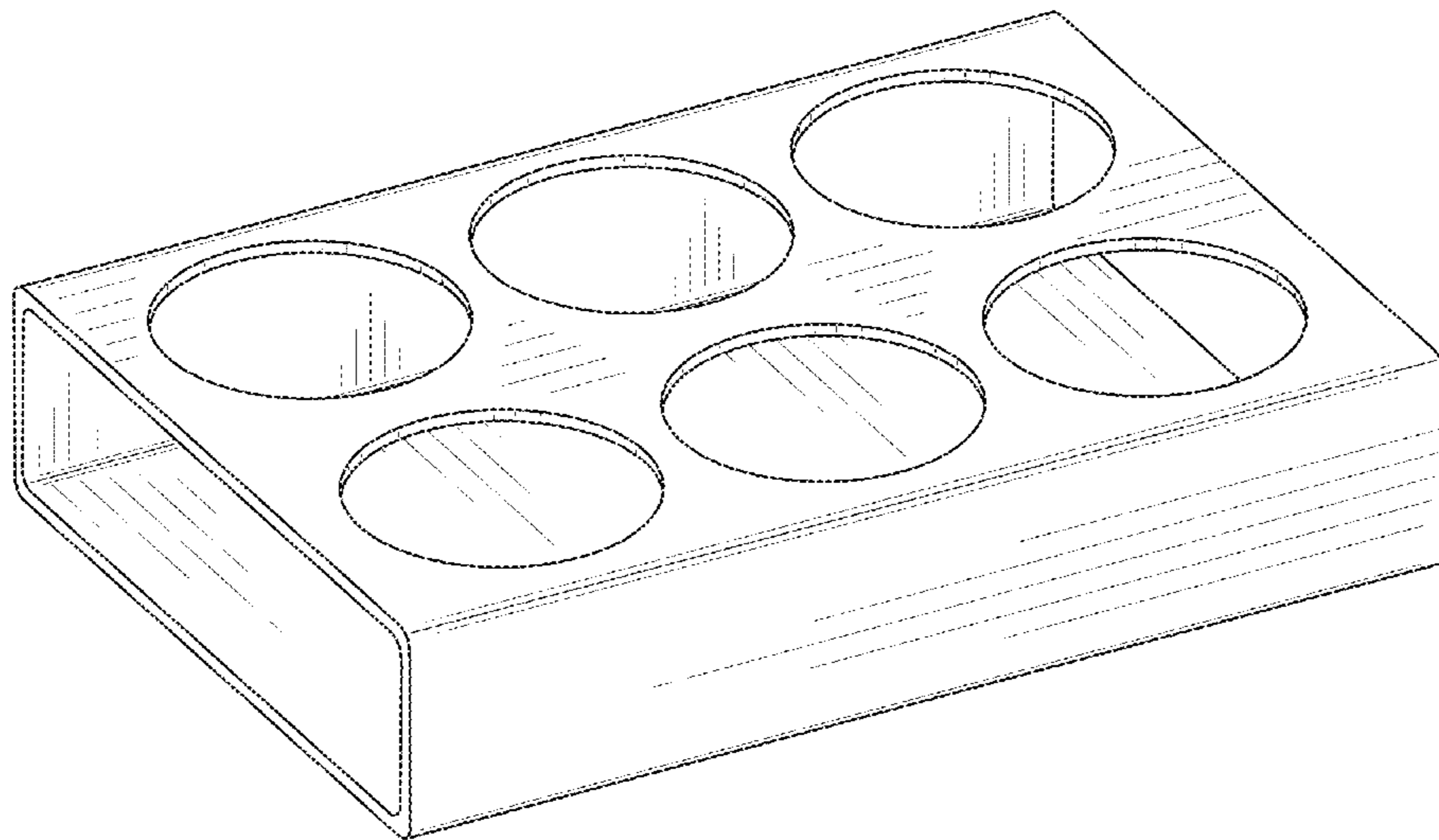
FIG. 4 is a front elevational view thereof. The rear elevational view is identical.

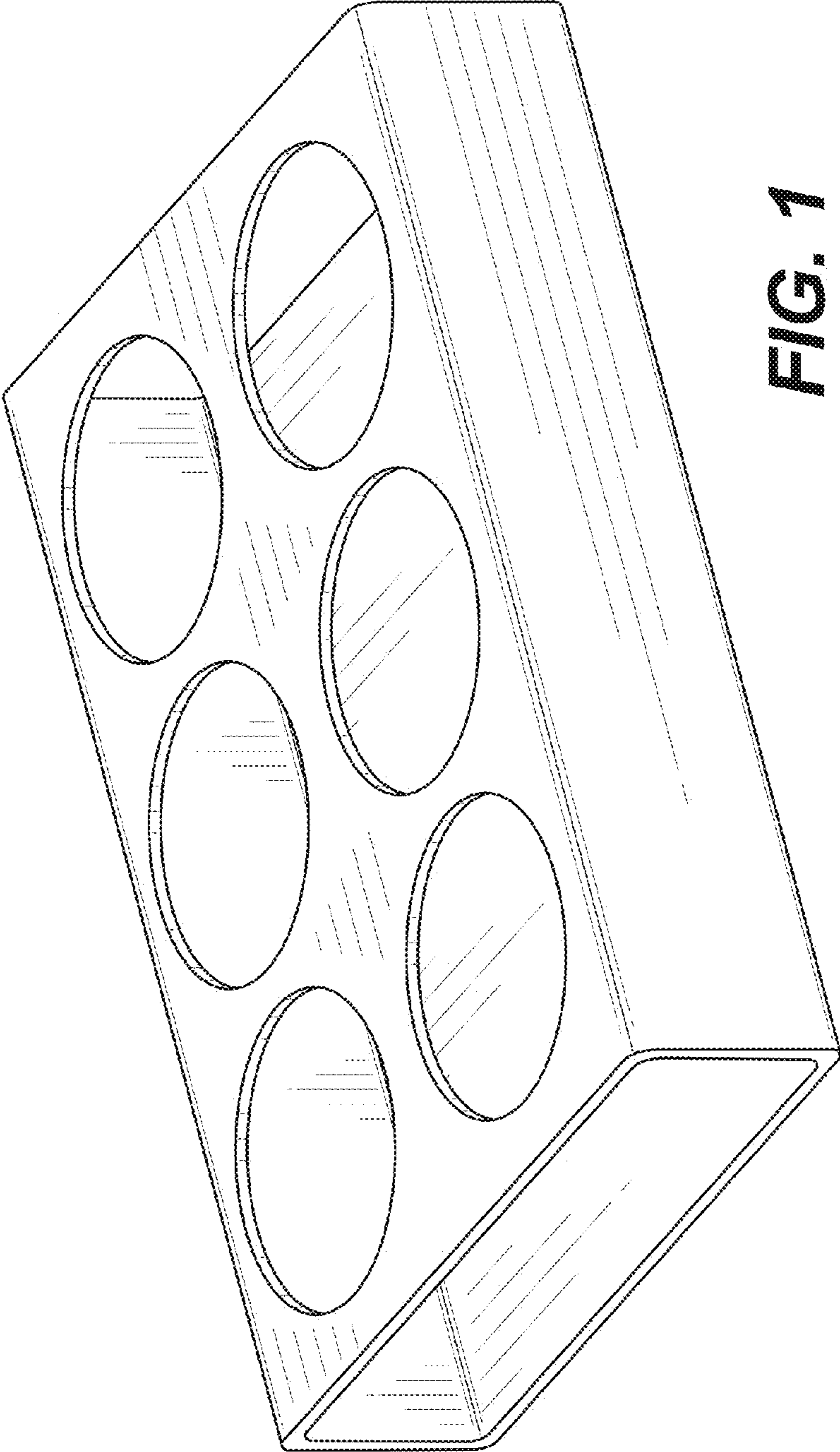
FIG. 5 is a right side elevational view thereof. The left side elevational view is identical; and,

FIG. 6 is a perspective view thereof showing the organizer in use holding bottles and cans.

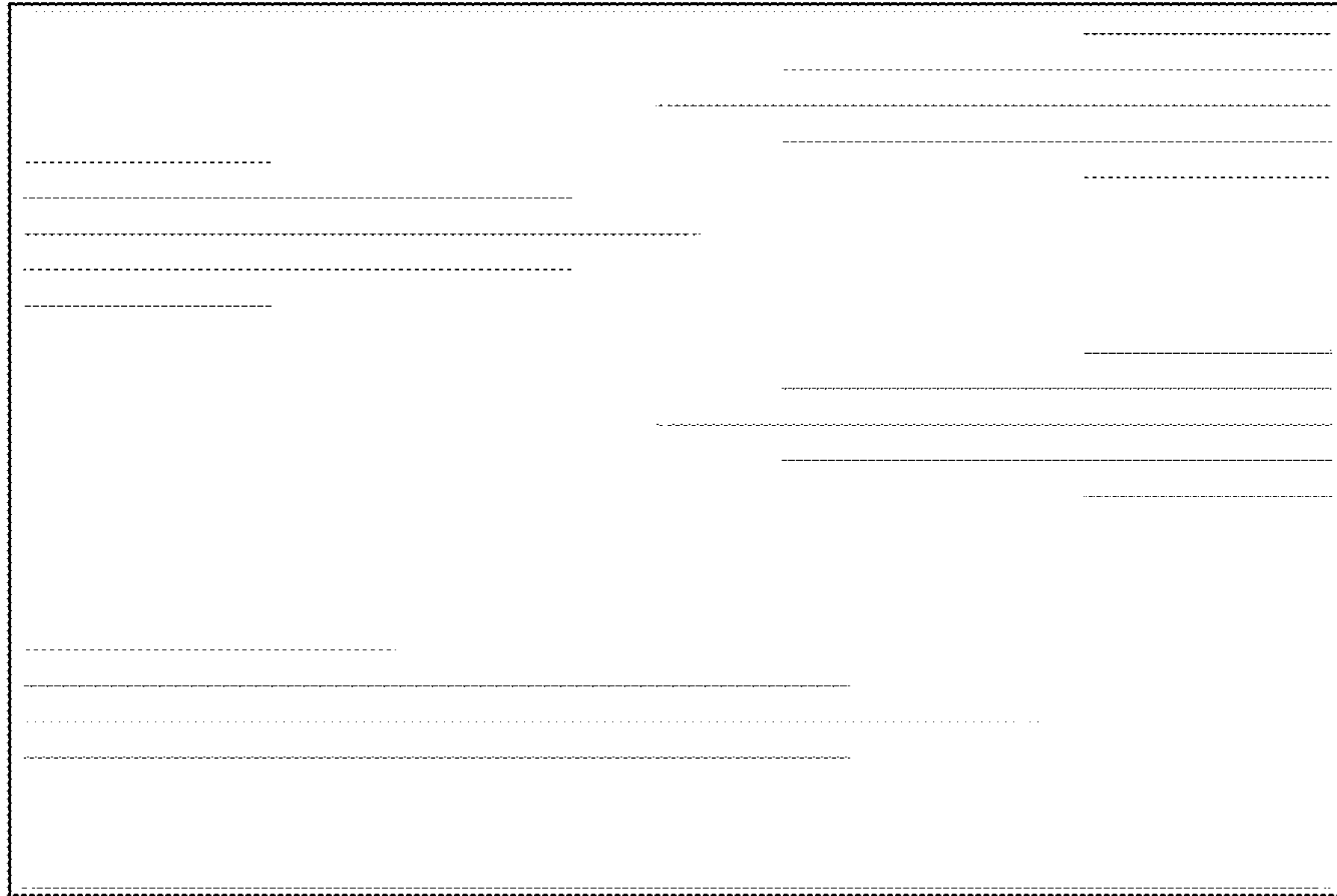
In the drawings, the broken lines shown in the figures depict unclaimed subject matter only and form no part of the claimed design.

**1 Claim, 4 Drawing Sheets**

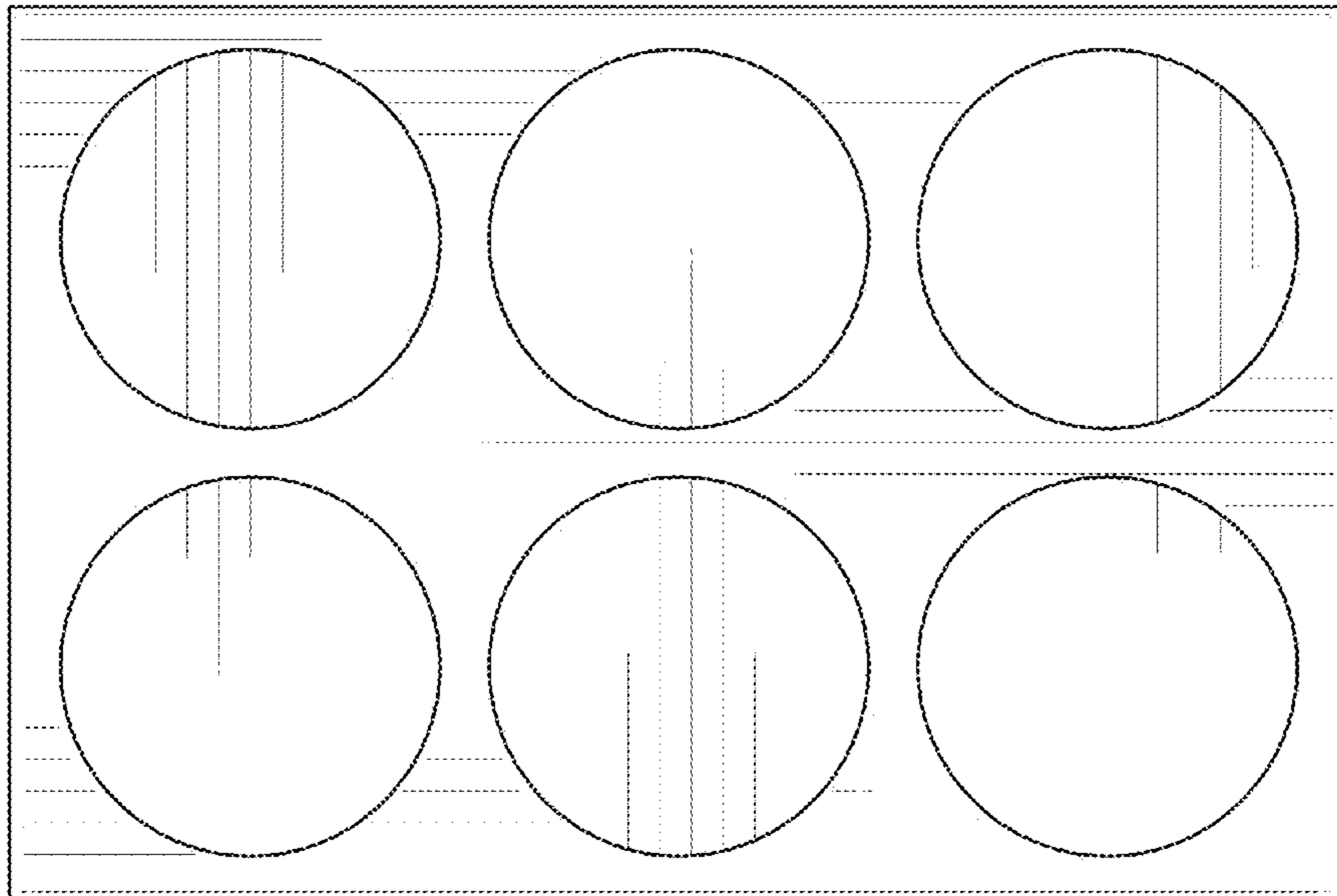




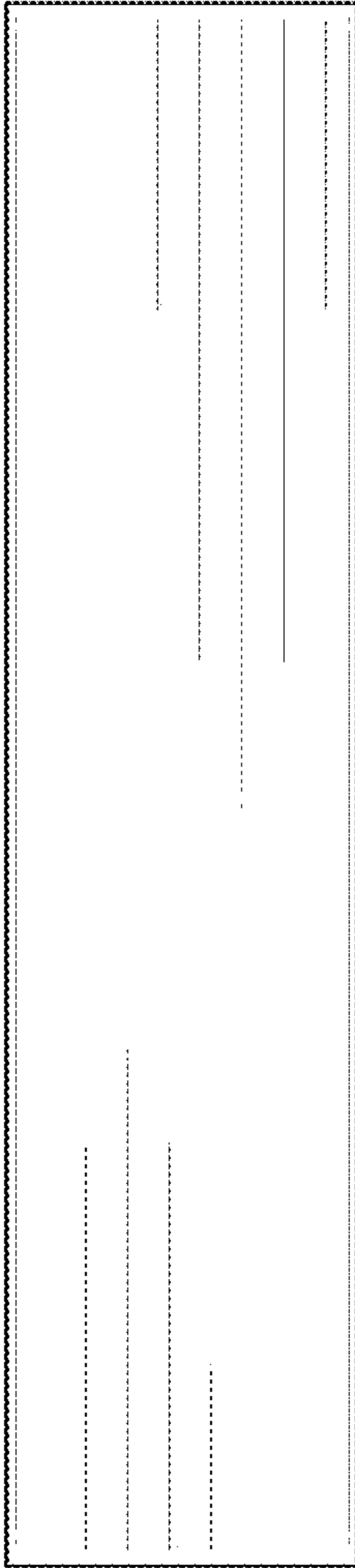
**FIG. 1**



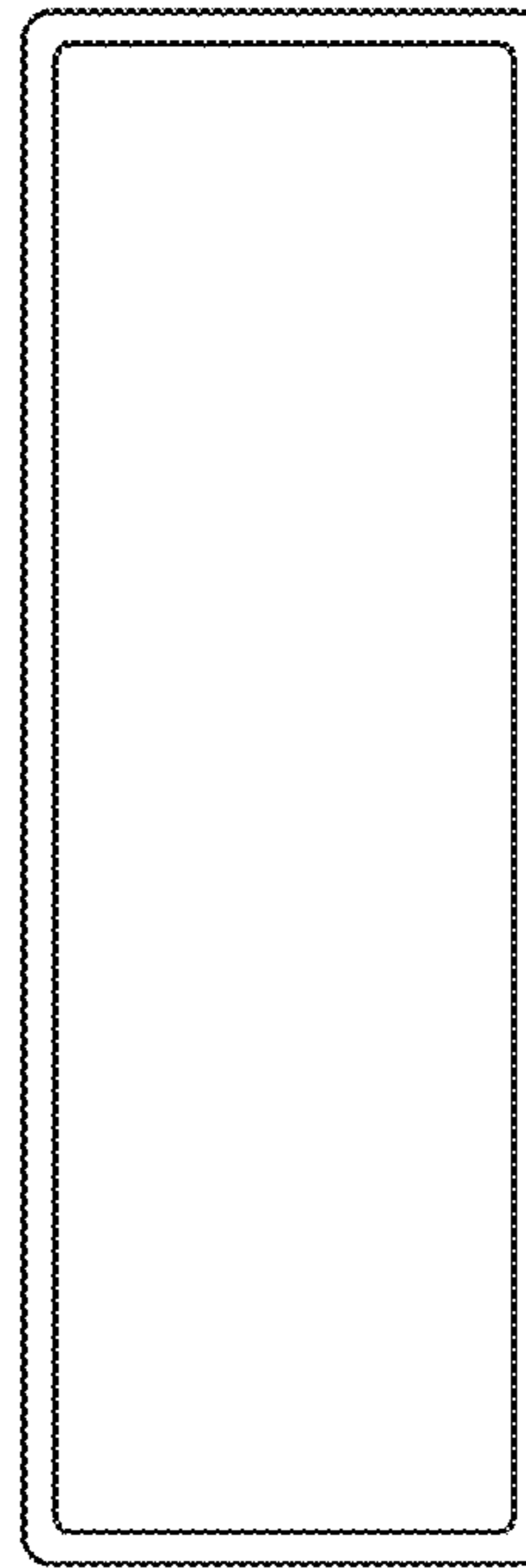
**FIG. 3**



**FIG. 2**



**FIG. 4**



**FIG. 5**

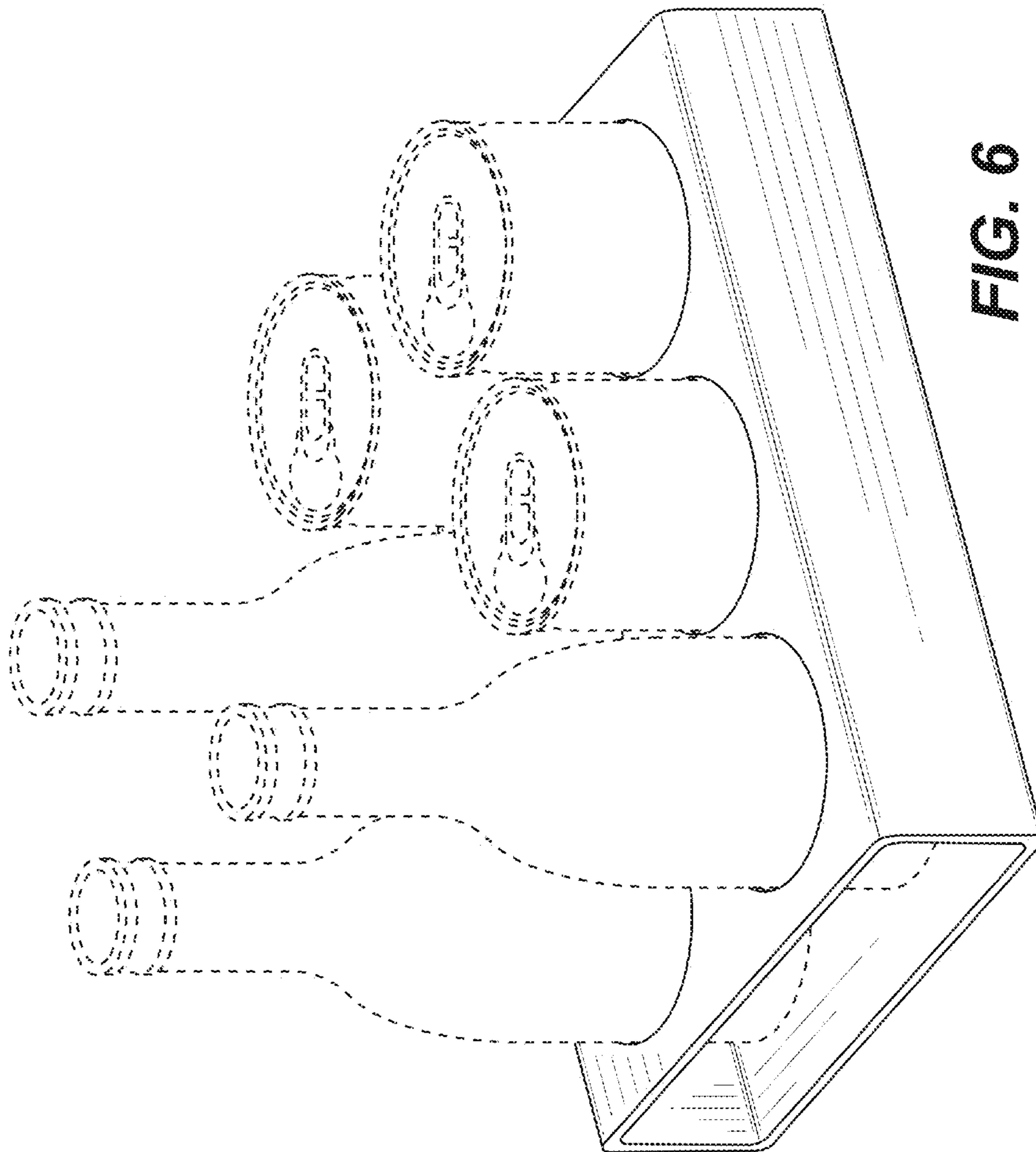


FIG. 6