



US00D705617S

(12) **United States Design Patent**
Noel

(10) **Patent No.:** **US D705,617 S**

(45) **Date of Patent:** **** May 27, 2014**

(54) **MEAT TENDERIZER**

(71) Applicant: **Huguens Noel**, Montclair, NJ (US)

(72) Inventor: **Huguens Noel**, Montclair, NJ (US)

(**) Term: **14 Years**

(21) Appl. No.: **29/454,317**

(22) Filed: **May 8, 2013**

(51) **LOC (10) Cl.** **07-04**

(52) **U.S. Cl.**
USPC **D7/682**

(58) **Field of Classification Search**
USPC D7/680–696, 368, 669; D8/300,
D8/315–320; 452/102, 141, 145–147;
241/168, 169, 169.1, 169.2, 285.1
See application file for complete search history.

(56) **References Cited**

U.S. PATENT DOCUMENTS

608,455 A * 8/1898 Gwinner 7/110
D249,994 S * 10/1978 Hall D7/693

D411,721 S * 6/1999 Fielding et al. D7/683
D423,888 S * 5/2000 Kaposi D7/682
D476,536 S * 7/2003 Levien et al. D7/682

* cited by examiner

Primary Examiner — Terry Wallace

(74) *Attorney, Agent, or Firm* — QuickPatents; Kevin Prince

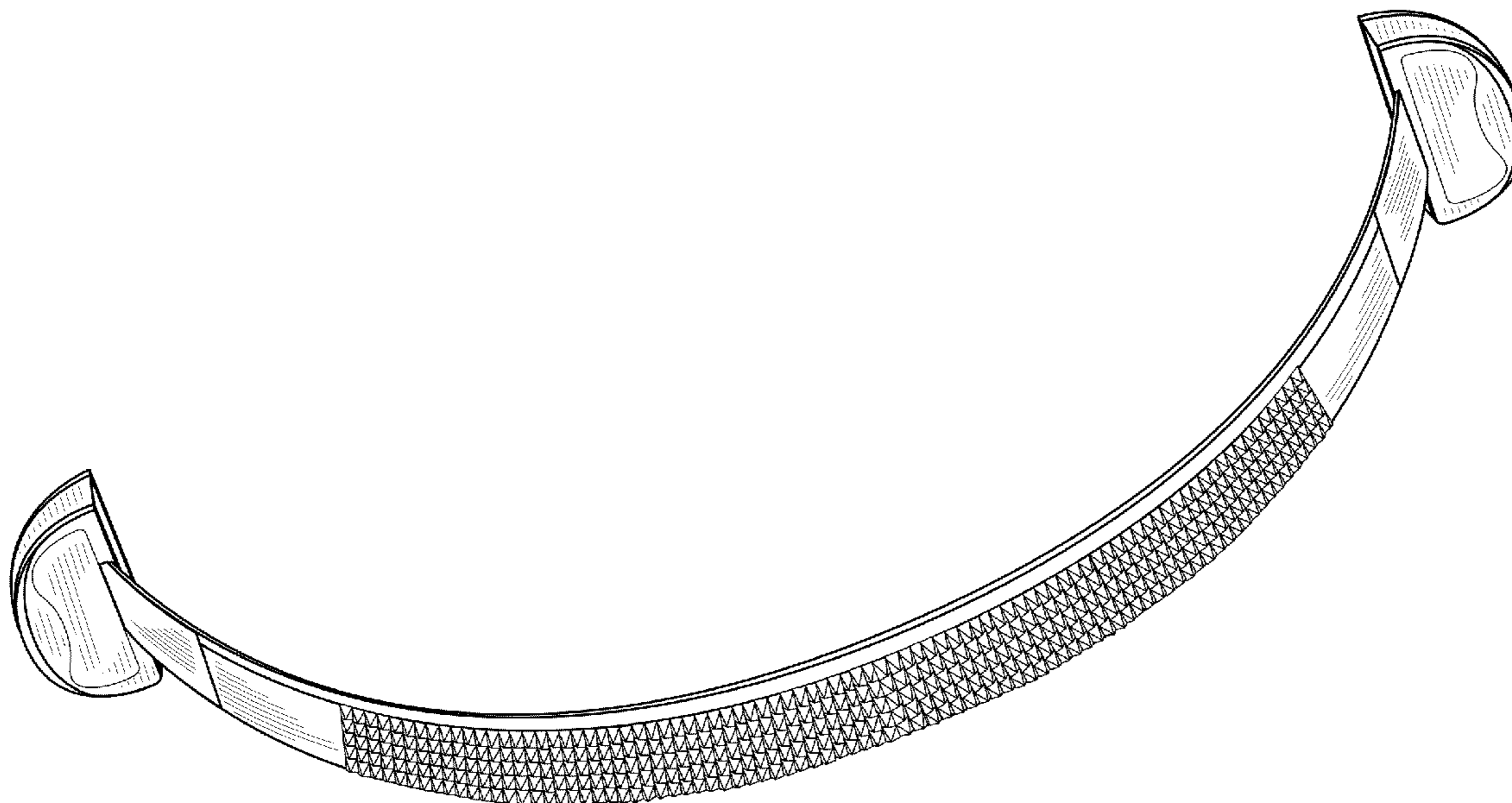
(57) **CLAIM**

I claim the ornamental design for a meat tenderizer, as shown and described.

DESCRIPTION

FIG. 1 is a bottom perspective view of a meat tenderizer, showing my new design;
FIG. 2 is a front elevational view thereof, the rear elevational view being a mirror image thereof;
FIG. 3 is a left-side elevational view thereof;
FIG. 4 is a right-side elevational view thereof;
FIG. 5 is a top plan view thereof;
FIG. 6 is a bottom plan view thereof; and,
FIG. 7 is a top perspective view thereof.

1 Claim, 4 Drawing Sheets



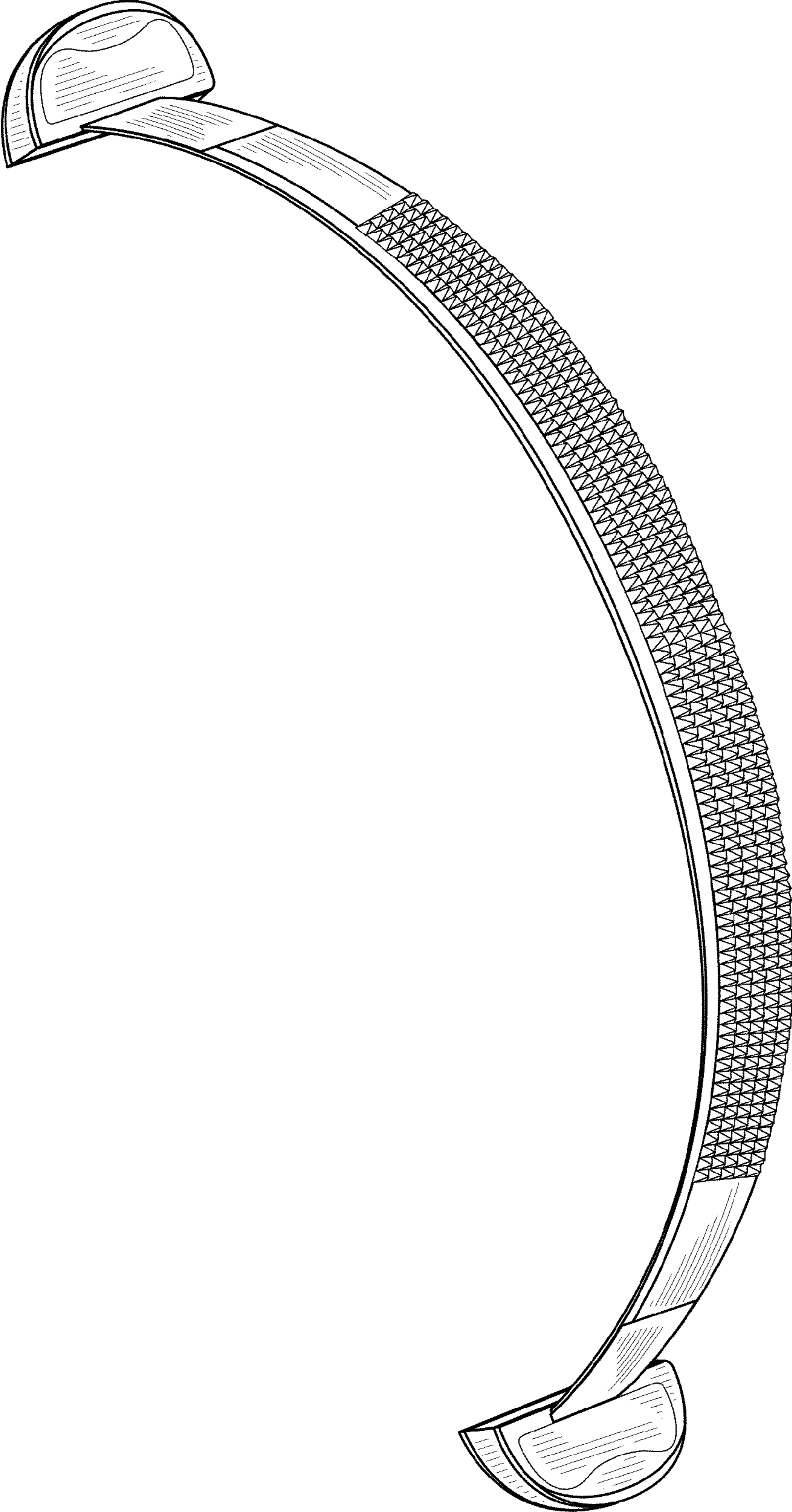


FIG. 1

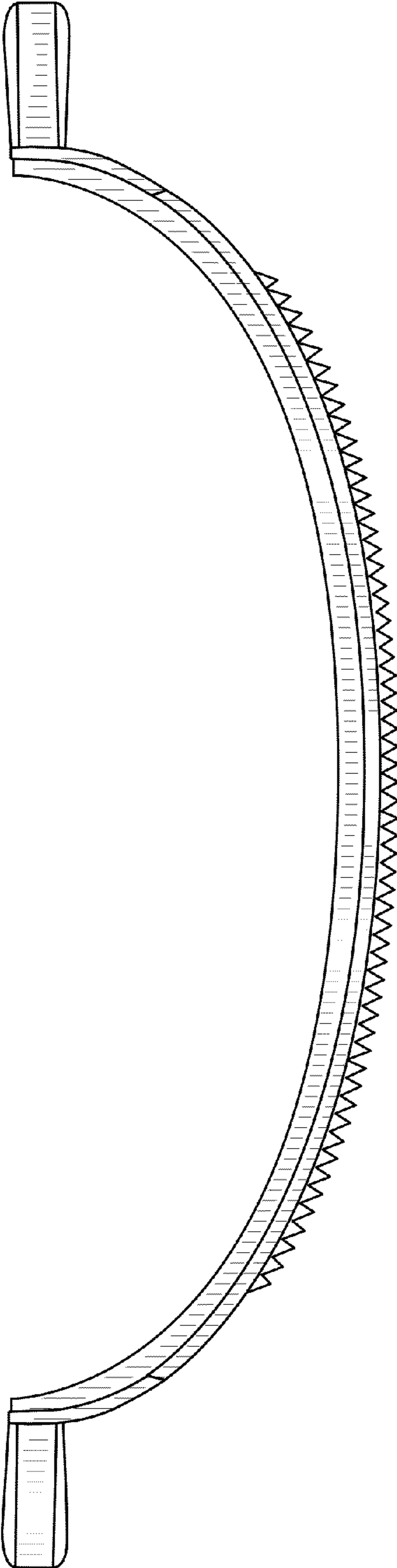


FIG. 2

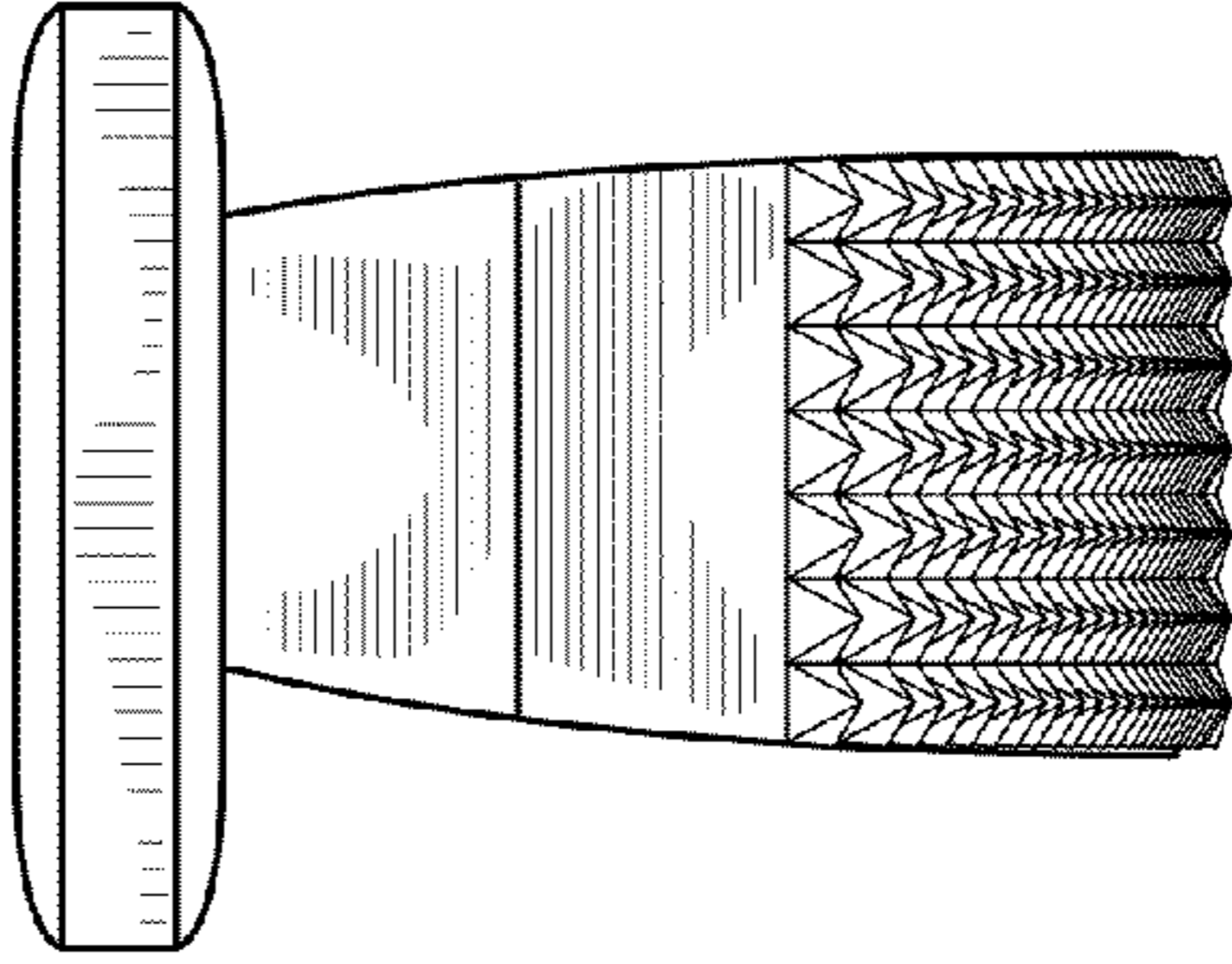


FIG. 3

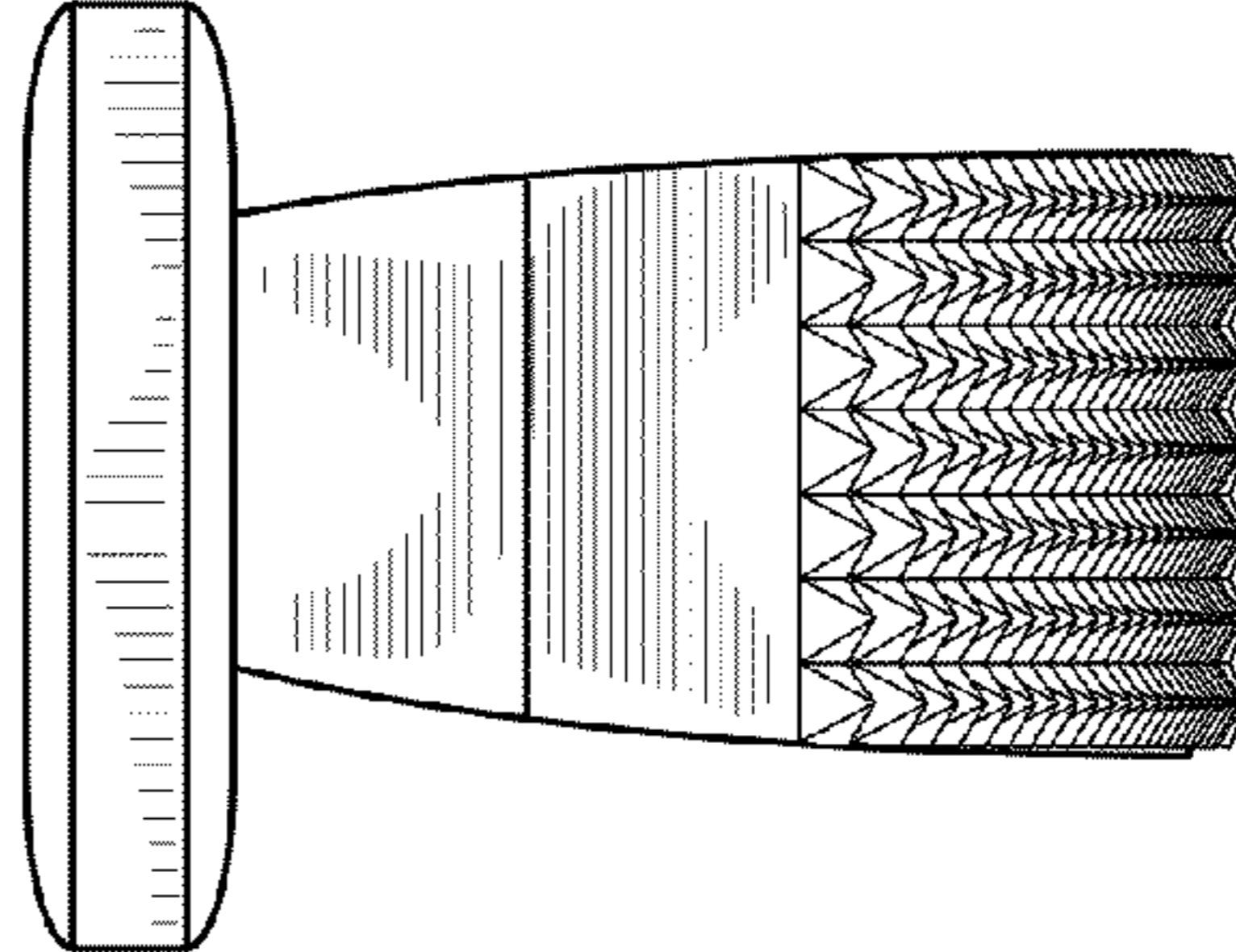


FIG. 4

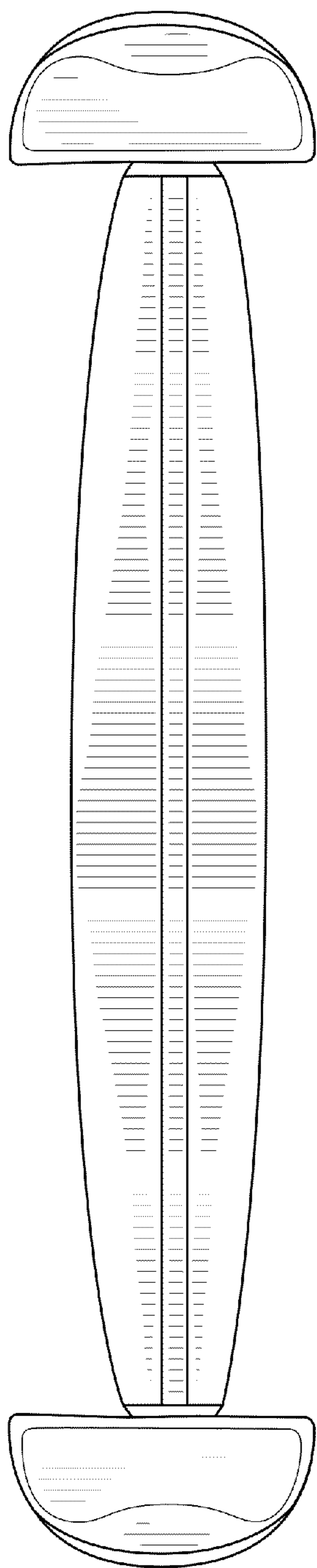


FIG. 5

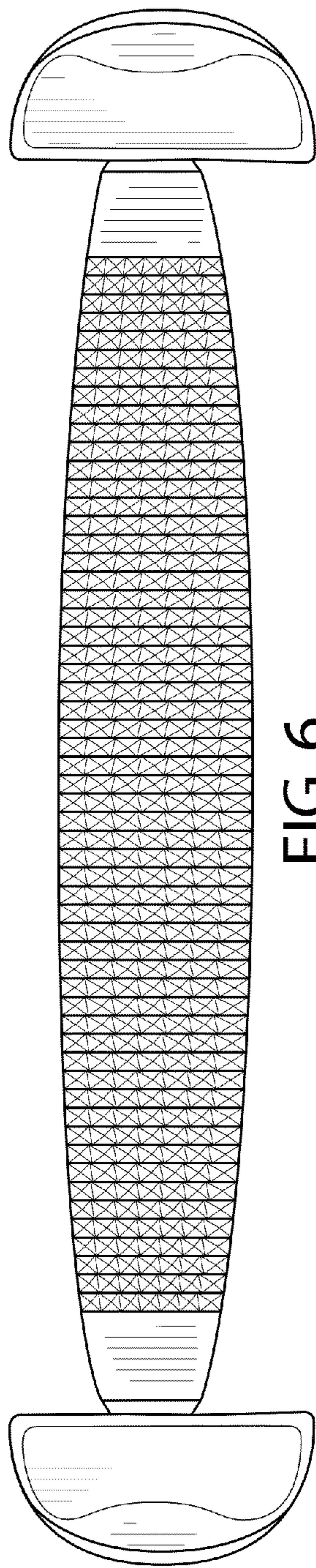


FIG. 6

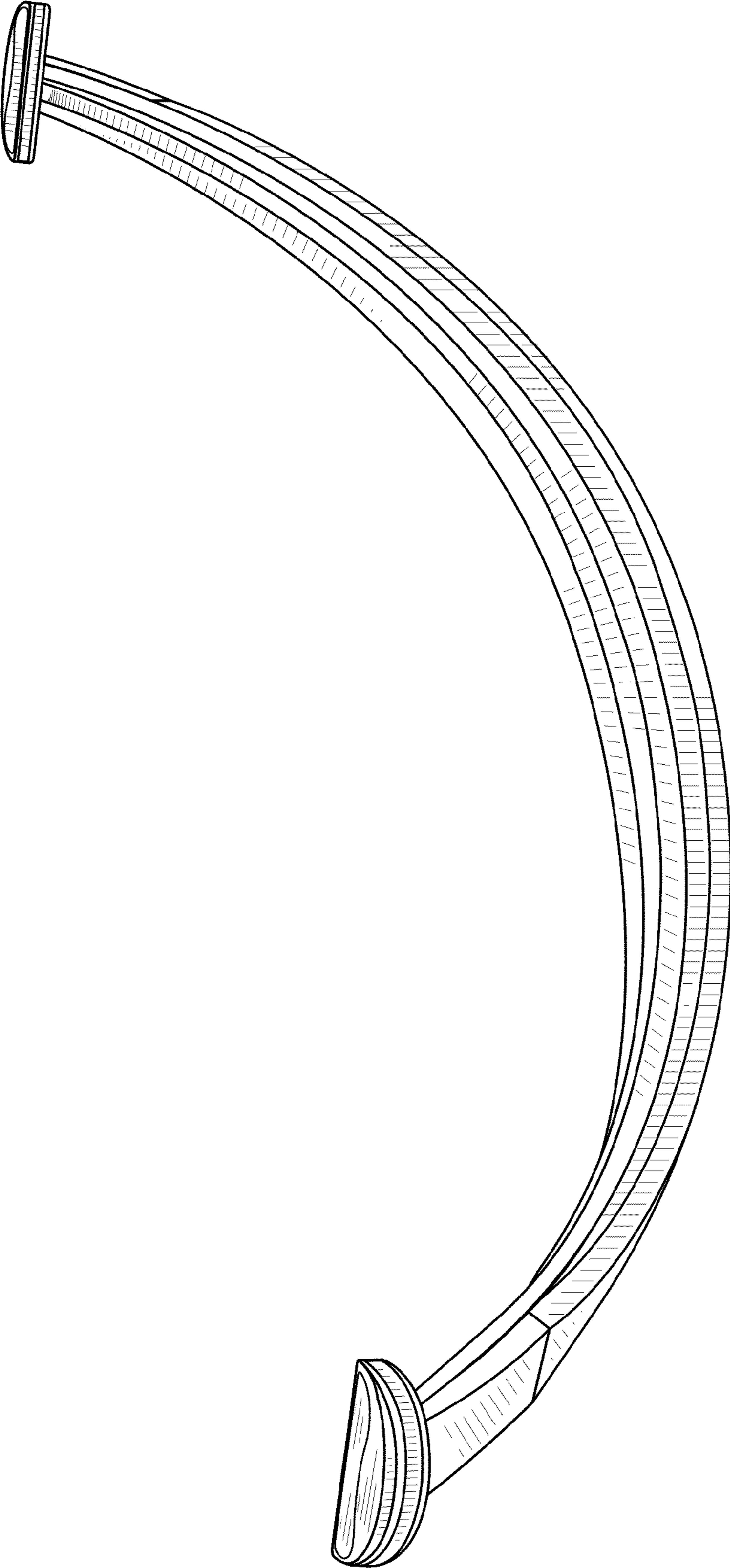


FIG. 7