

US00D705615S

(12) **United States Design Patent**
Yessin

(10) **Patent No.:** **US D705,615 S**
(45) **Date of Patent:** **** May 27, 2014**

(54) **STRAINER TUB**

(71) Applicant: **Dart Industries Inc.**, Orlando, FL (US)

(72) Inventor: **Julie L. Yessin**, Orlando, FL (US)

(73) Assignee: **Dart Industries Inc.**, Orlando, FL (US)

(**) Term: **14 Years**

(21) Appl. No.: **29/448,029**

(22) Filed: **Mar. 8, 2013**

(51) **LOC (10) Cl.** **07-04**

(52) **U.S. Cl.**
USPC **D7/667**

(58) **Field of Classification Search**
USPC D7/667, 668, 400; 99/490, 495,
99/505-510; 110/113, 110, 116, 127, 213,
110/248; 210/464, 470-478, 497.1, 498,
210/499
See application file for complete search history.

(56) **References Cited**

U.S. PATENT DOCUMENTS

D255,751 S	7/1980	Daenen	
D346,725 S *	5/1994	Kolada	D7/667
D420,863 S *	2/2000	Egana et al.	D7/666
D428,778 S *	8/2000	Kao	D7/666
6,318,252 B1 *	11/2001	Kao	100/125
D459,159 S *	6/2002	Kao	D7/666
D486,644 S	2/2004	Claypool	

D496,228 S *	9/2004	Greiner	D7/666
D497,085 S	10/2004	Moeller et al.	
D498,121 S	11/2004	Moeller et al.	
D503,313 S *	3/2005	Shamoon	D7/667
D528,376 S *	9/2006	Munson et al.	D7/667
D533,414 S	12/2006	Claypool et al.	
D641,216 S	7/2011	Chen	
D641,217 S	7/2011	Chen et al.	
D653,917 S *	2/2012	Ehrenhaus	D7/667
D662,781 S	7/2012	Palotto	
D665,234 S *	8/2012	Bagley	D7/667

* cited by examiner

Primary Examiner — Terry Wallace

(74) *Attorney, Agent, or Firm* — Taylor J. Ross

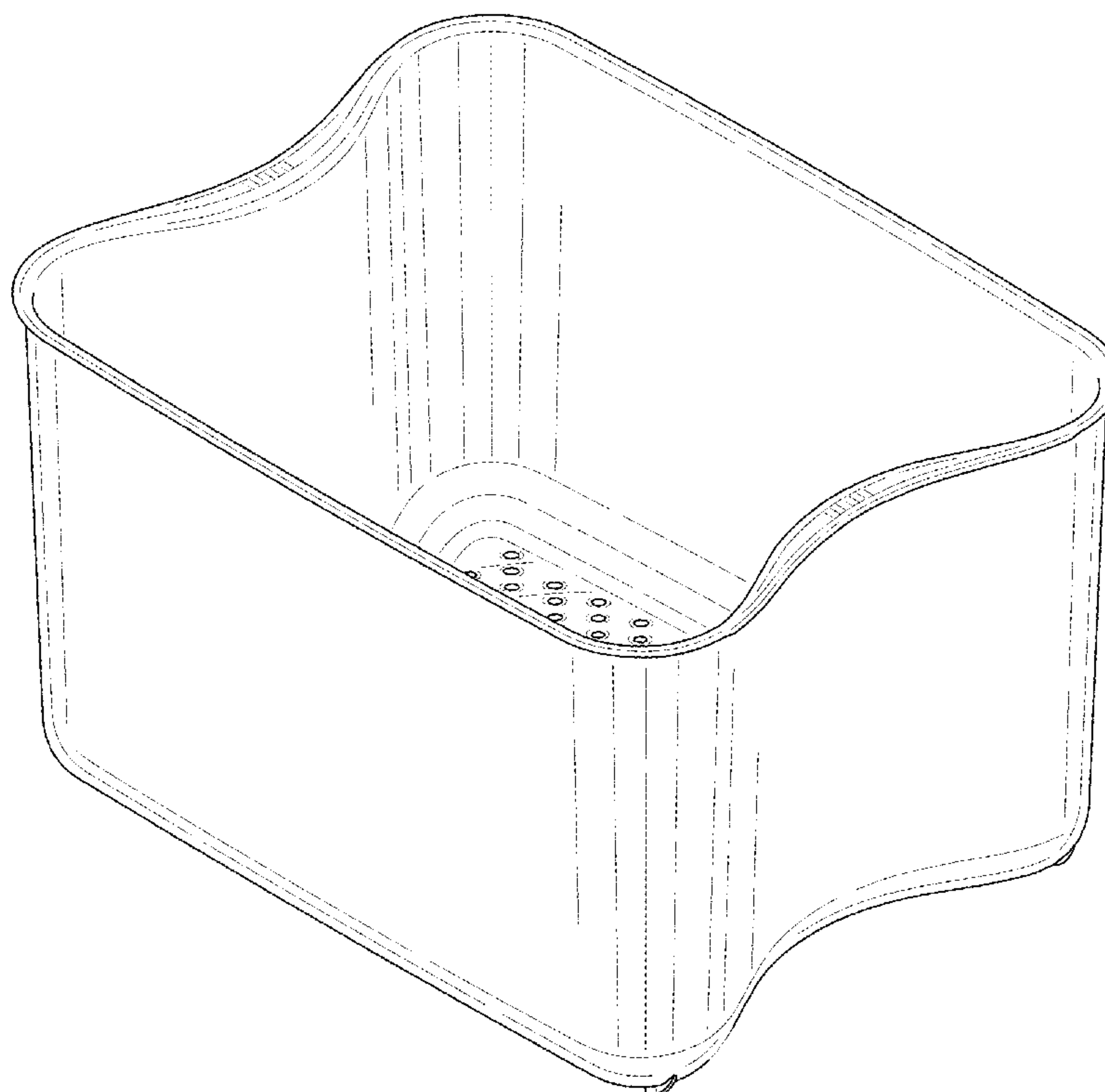
(57) **CLAIM**

The ornamental design for a strainer tub, as shown and described.

DESCRIPTION

FIG. 1 is a top, side and front perspective view showing my new design;
FIG. 2 is a bottom, side and rear perspective view thereof;
FIG. 3 is a top plan view thereof;
FIG. 4 is a bottom plan view thereof;
FIG. 5 is a front elevation view, the rear elevation being identical thereto;
FIG. 6 is a right side elevation view, the left side being identical thereto;
FIG. 7 is a cross-sectional view along line 7-7 of FIG. 4; and,
FIG. 8 is a cross-sectional view along line 8-8 of FIG. 4.

1 Claim, 5 Drawing Sheets



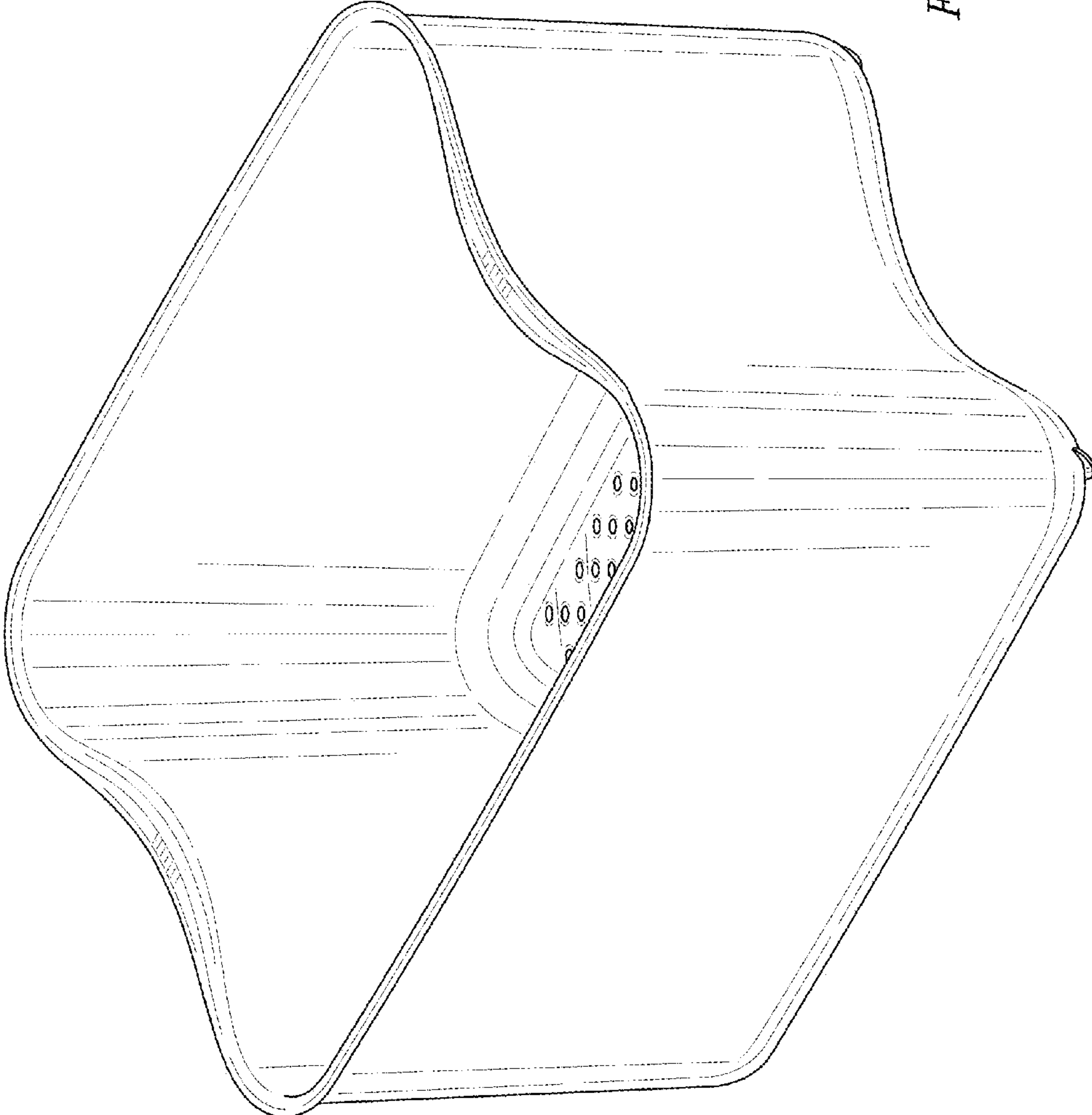


FIG. 1

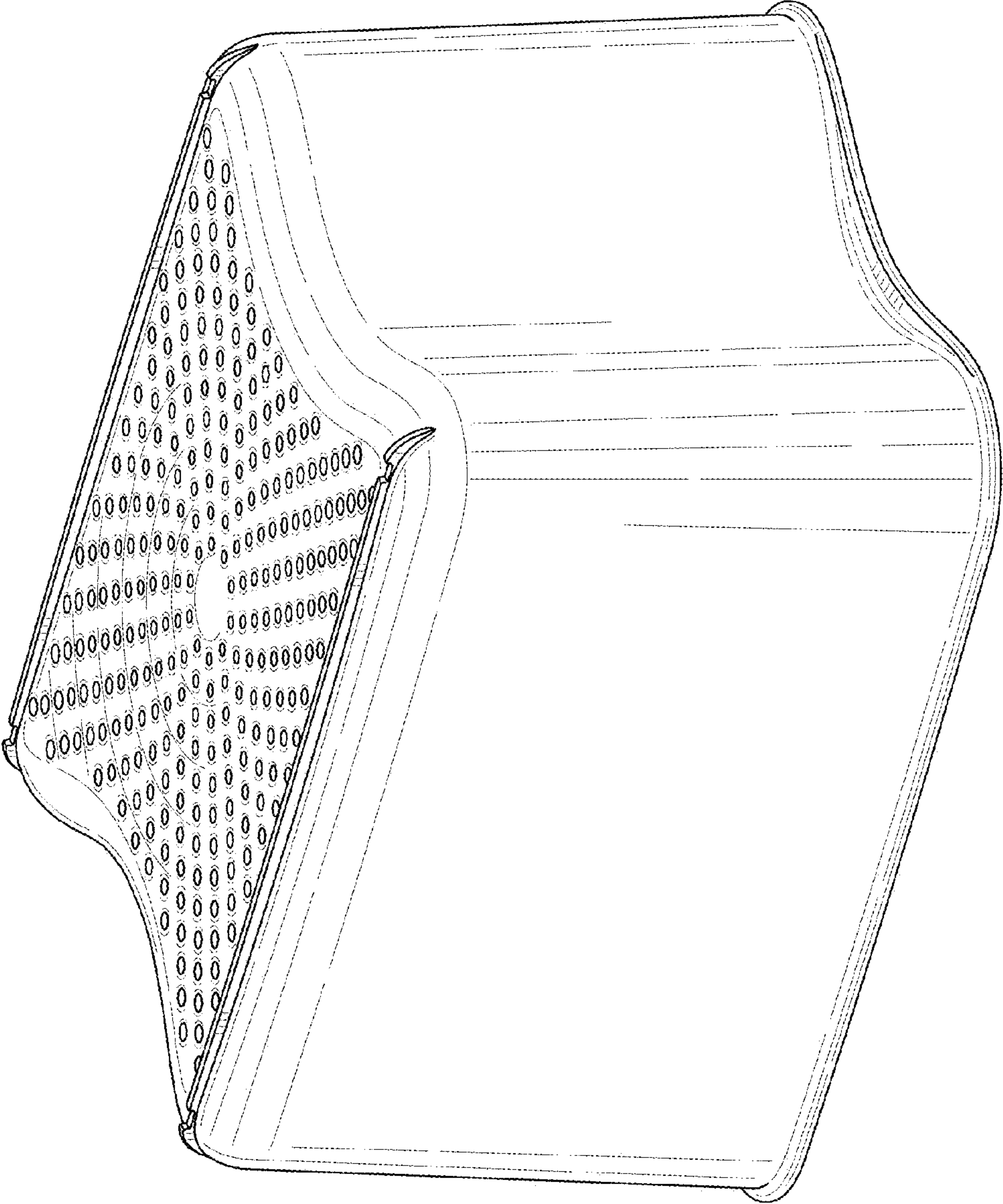


FIG. 2

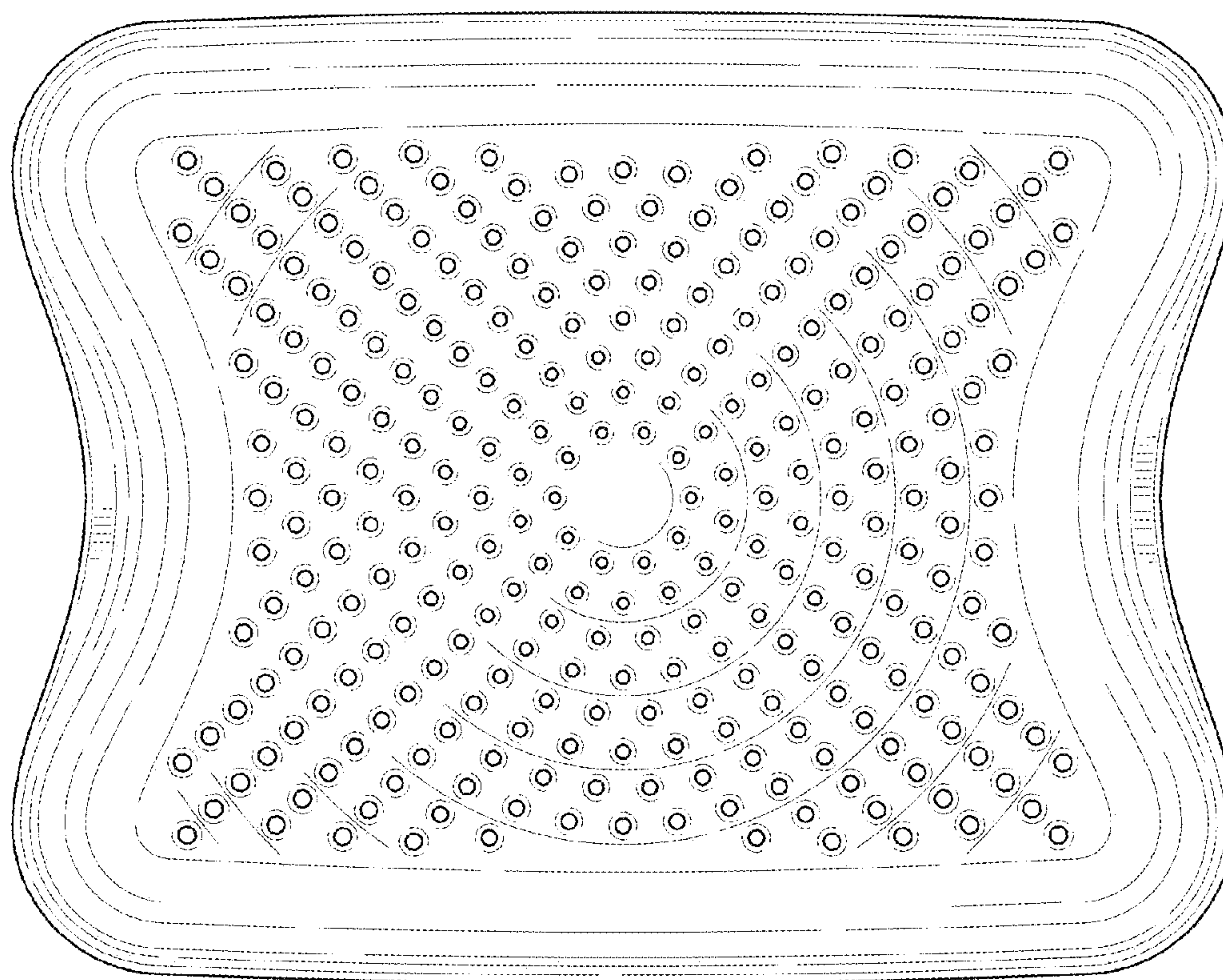


FIG. 3

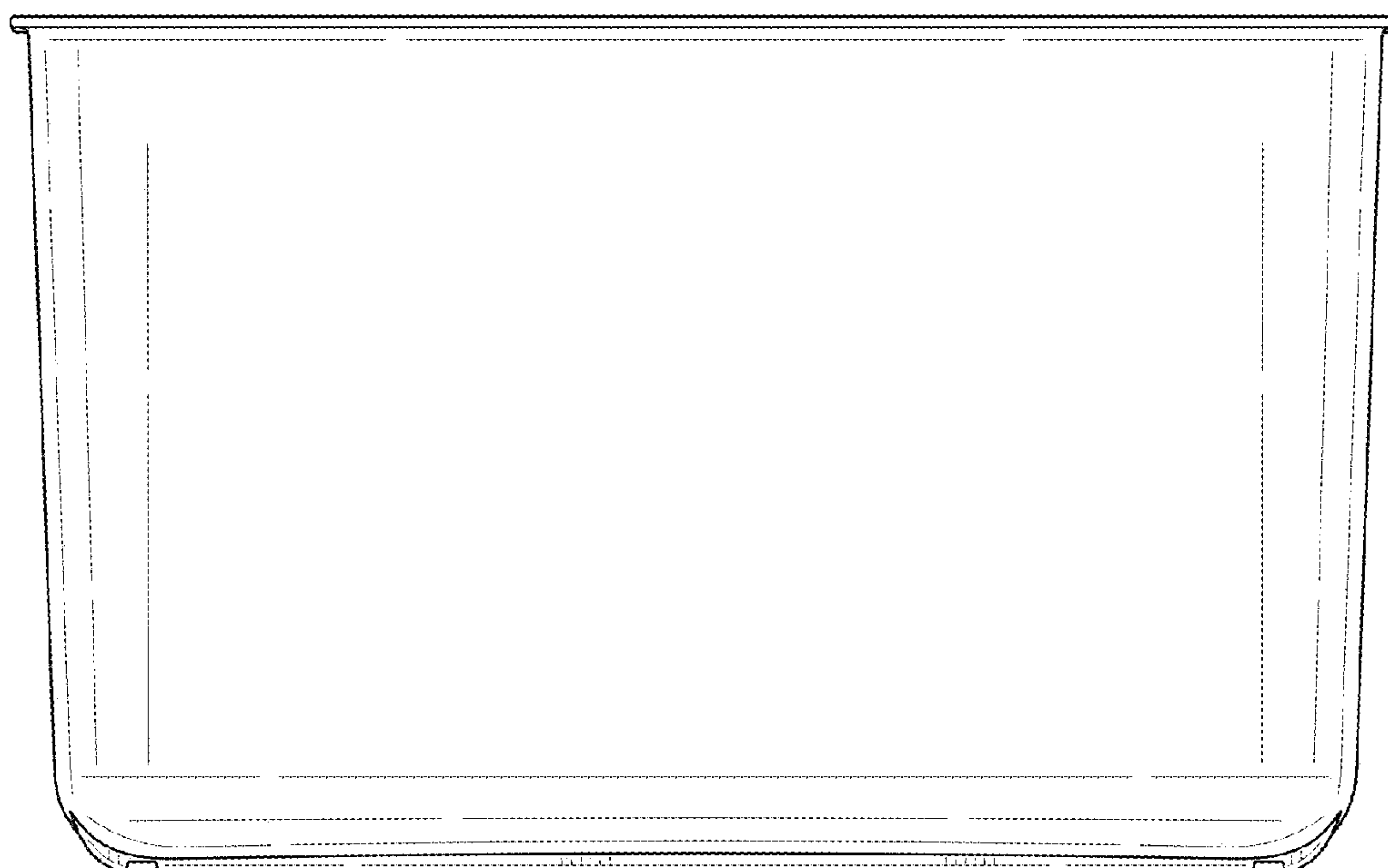


FIG. 5

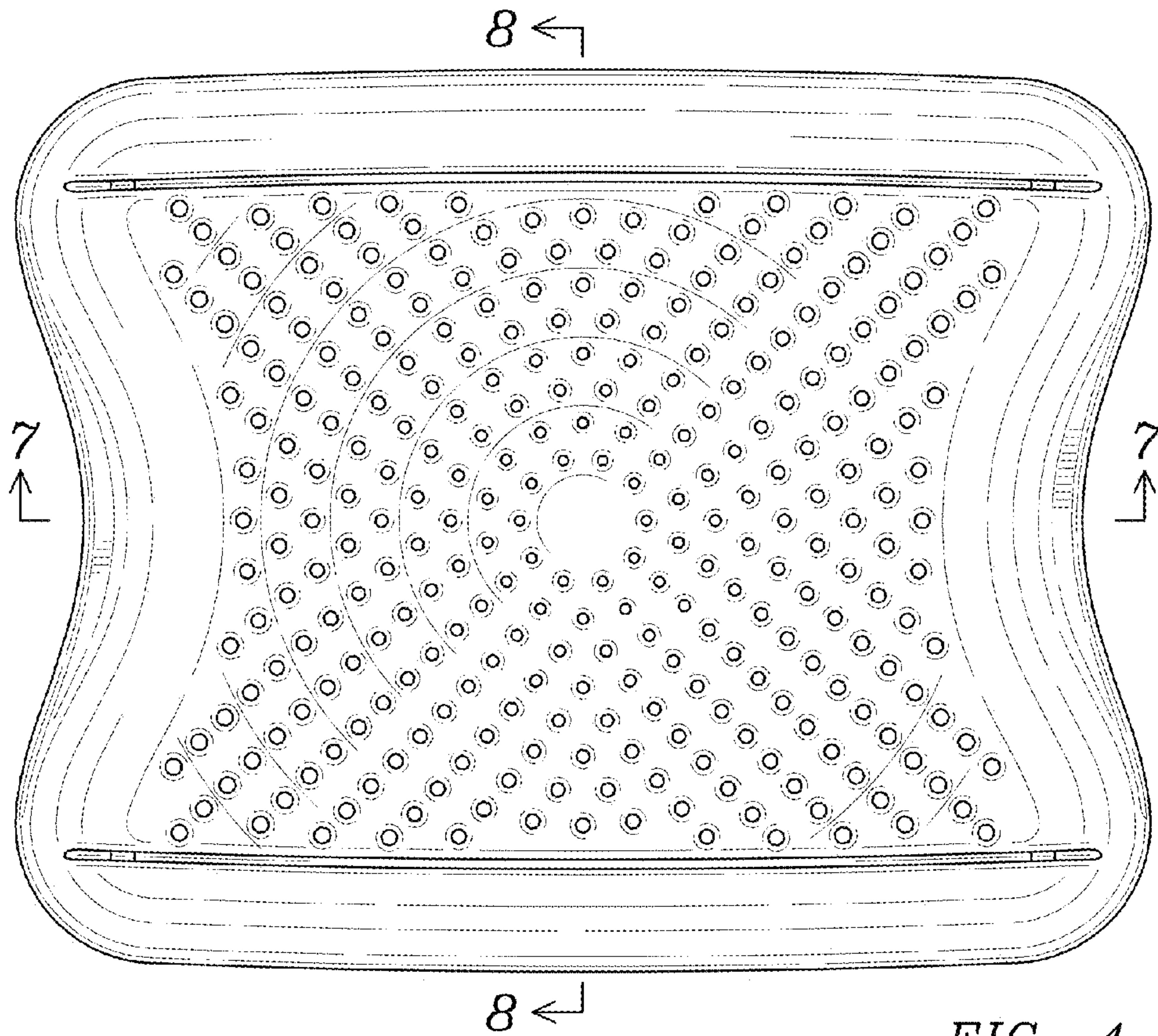
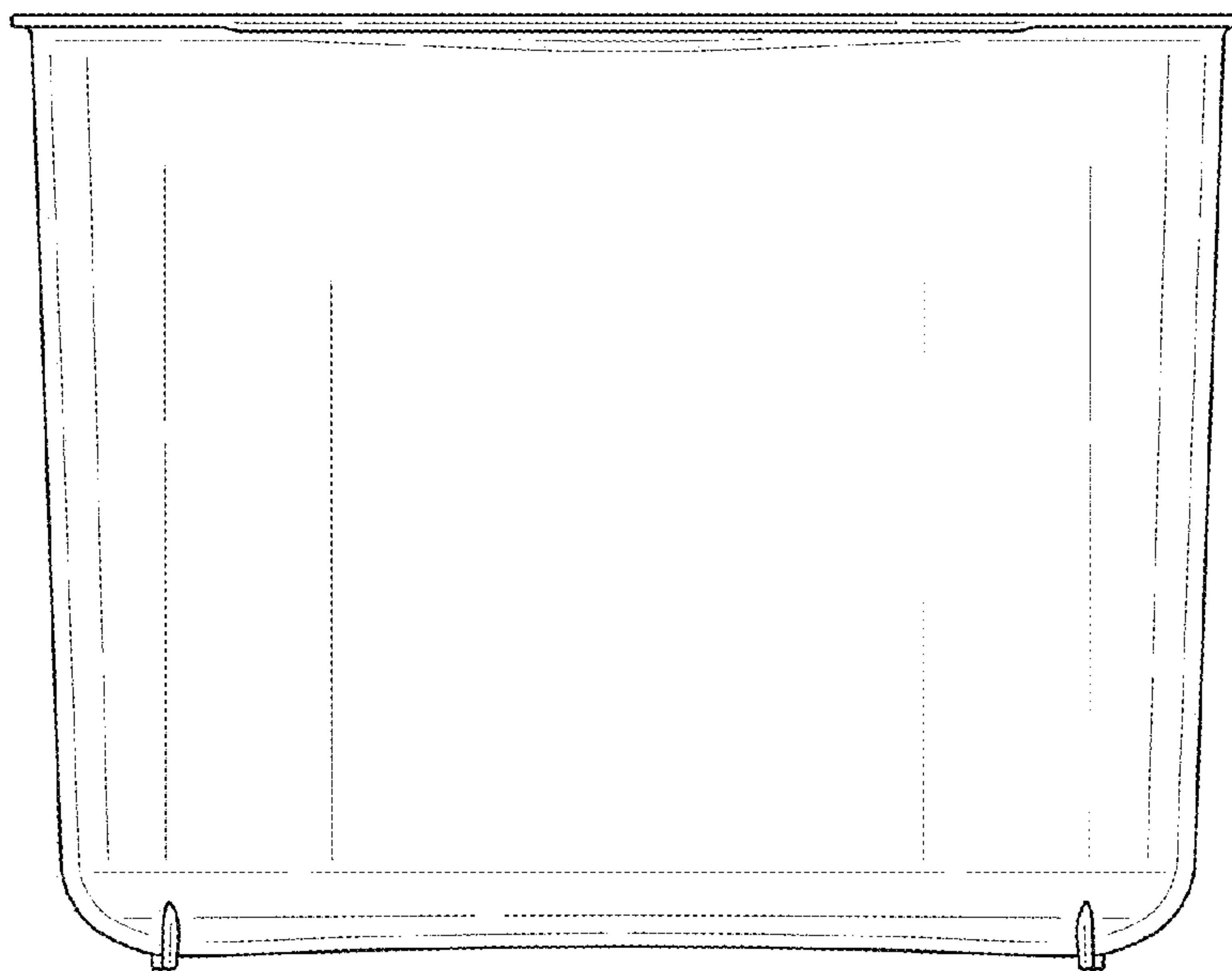


FIG. 4

FIG. 6



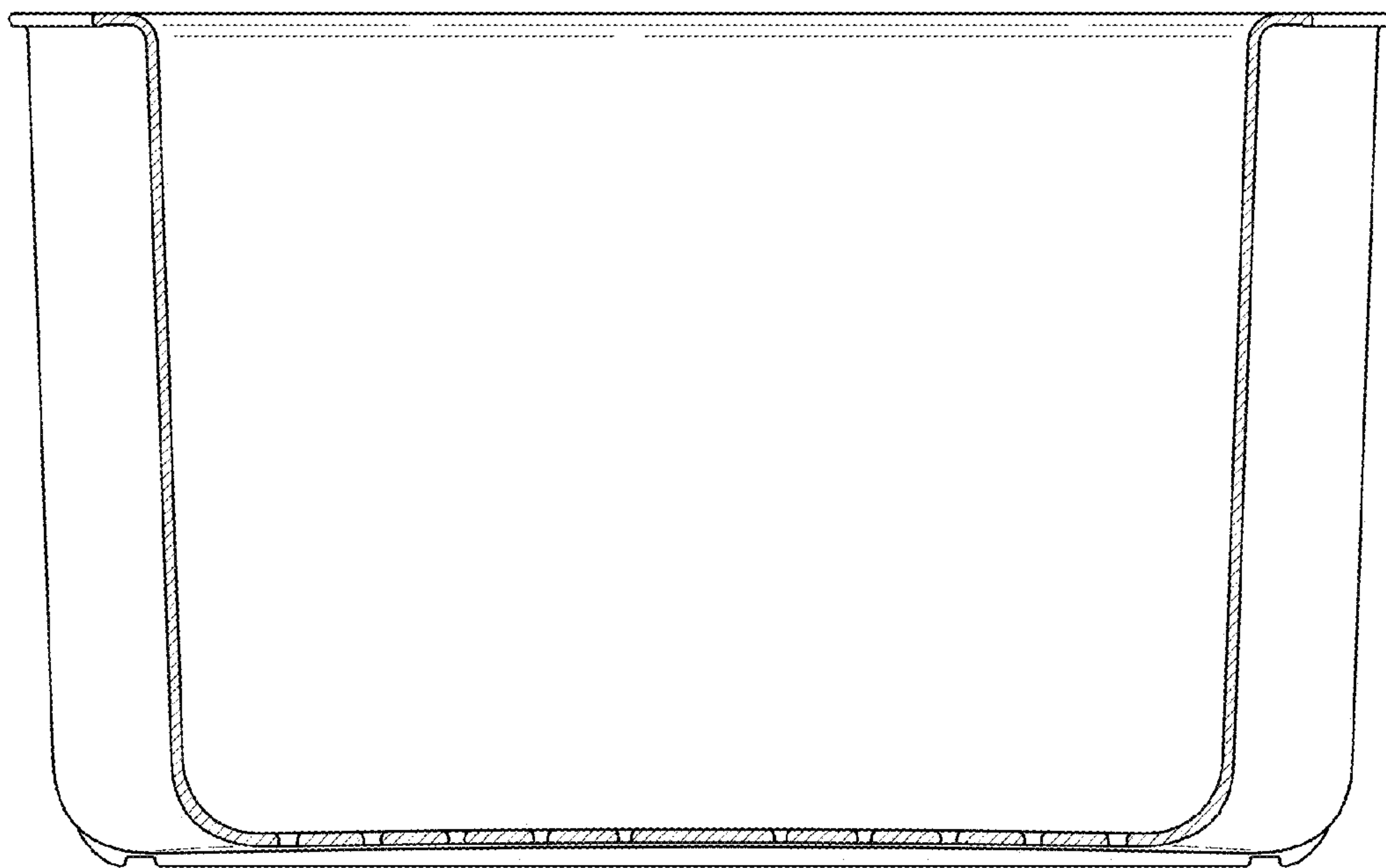


FIG. 7

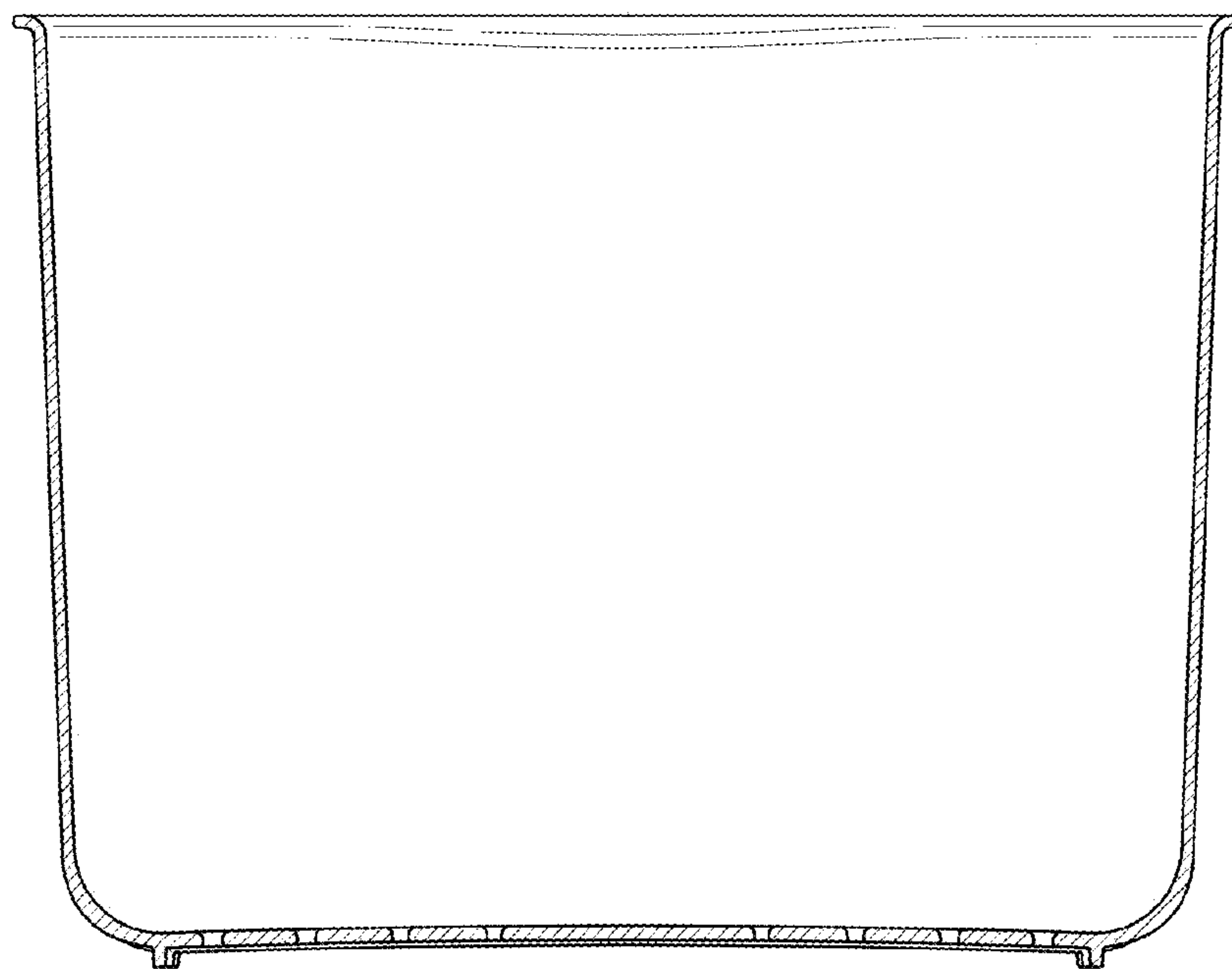


FIG. 8