



US00D705612S

(12) **United States Design Patent**
Tran

(10) **Patent No.:** **US D705,612 S**

(45) **Date of Patent:** **** May 27, 2014**

(54) **6-IN-1 TRAY WITH WEDGED CONTAINERS
IN A STACKABLE CONFIGURATION**

(71) Applicant: **Thien Tran**, Springfield, VA (US)

(72) Inventor: **Thien Tran**, Springfield, VA (US)

(**) Term: **14 Years**

(21) Appl. No.: **29/440,663**

(22) Filed: **Dec. 25, 2012**

(51) **LOC (10) Cl.** **07-07**

(52) **U.S. Cl.**
USPC **D7/629**

(58) **Field of Classification Search**
USPC D7/602, 629, 630, 701-708, 538-542,
D7/612-615; 206/509; D19/75-85;
211/77, 78; 312/238; 220/556, 555,
220/526, 523, 507, 4.27, 4.26, 915.1, 915.2,
220/23.4, 23.83, 771

See application file for complete search history.

(56) **References Cited**

U.S. PATENT DOCUMENTS

1,977,092	A *	10/1934	Scurlock	211/77
D94,099	S *	12/1934	Taylor	D7/614
2,207,520	A *	7/1940	Rhody	206/229
3,117,692	A *	1/1964	Carpenter et al.	206/508
3,384,260	A	5/1968	Buffington et al.		
3,385,465	A *	5/1968	Bliss	220/23.4
D212,109	S *	8/1968	Taylor	D7/614
3,526,334	A *	9/1970	Swett et al.	220/23.83
3,556,339	A	1/1971	Lind et al.		
3,972,419	A *	8/1976	Short	211/78
4,182,476	A	1/1980	Lovewell		
4,483,455	A	11/1984	Prophet, Jr. et al.		
D280,965	S *	10/1985	Prophet et al.	D7/614

4,687,117	A	8/1987	Terauds
D329,107	S	9/1992	Hardy
D341,539	S	11/1993	Davis et al.
5,335,804	A	8/1994	Flory
5,372,787	A	12/1994	Ritter
5,535,908	A	7/1996	Sheu
5,538,154	A	7/1996	Von Holdt
5,975,300	A	11/1999	Gale
6,460,716	B1	10/2002	Wong
D515,874	S	2/2006	Aalberts
7,861,552	B1	1/2011	Hughes
8,196,771	B1	6/2012	Gathings

* cited by examiner

Primary Examiner — Terry Wallace

(74) *Attorney, Agent, or Firm* — Thien Tran, Esq.; Access Patent Group, LLC

(57) **CLAIM**

The ornamental design for a 6-in-1 tray with wedged containers in a stackable configuration, as shown and described.

DESCRIPTION

FIG. 1 is a perspective view of a 6-in-1 tray with wedged containers in a stackable configuration.

FIG. 2 is a top plan view of one of the containers.

FIG. 3 is a bottom plan view of FIG. 2.

FIG. 4 is a left side view of FIG. 2.

FIG. 5 is a rear view of FIG. 2.

FIG. 6 is a front view of FIG. 2.

FIG. 7 is a perspective view of the tray.

FIG. 8 is a top plan view of FIG. 7.

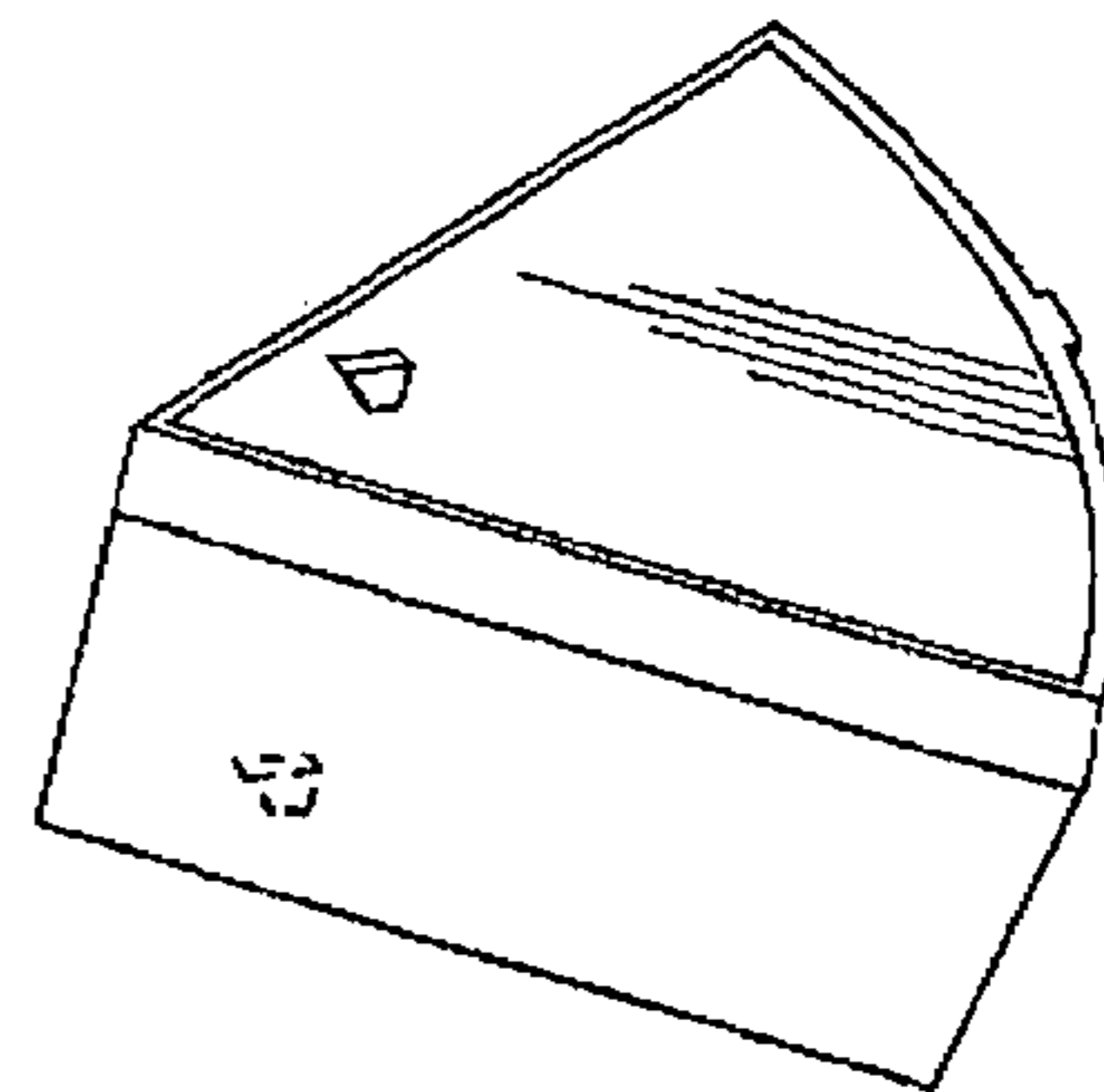
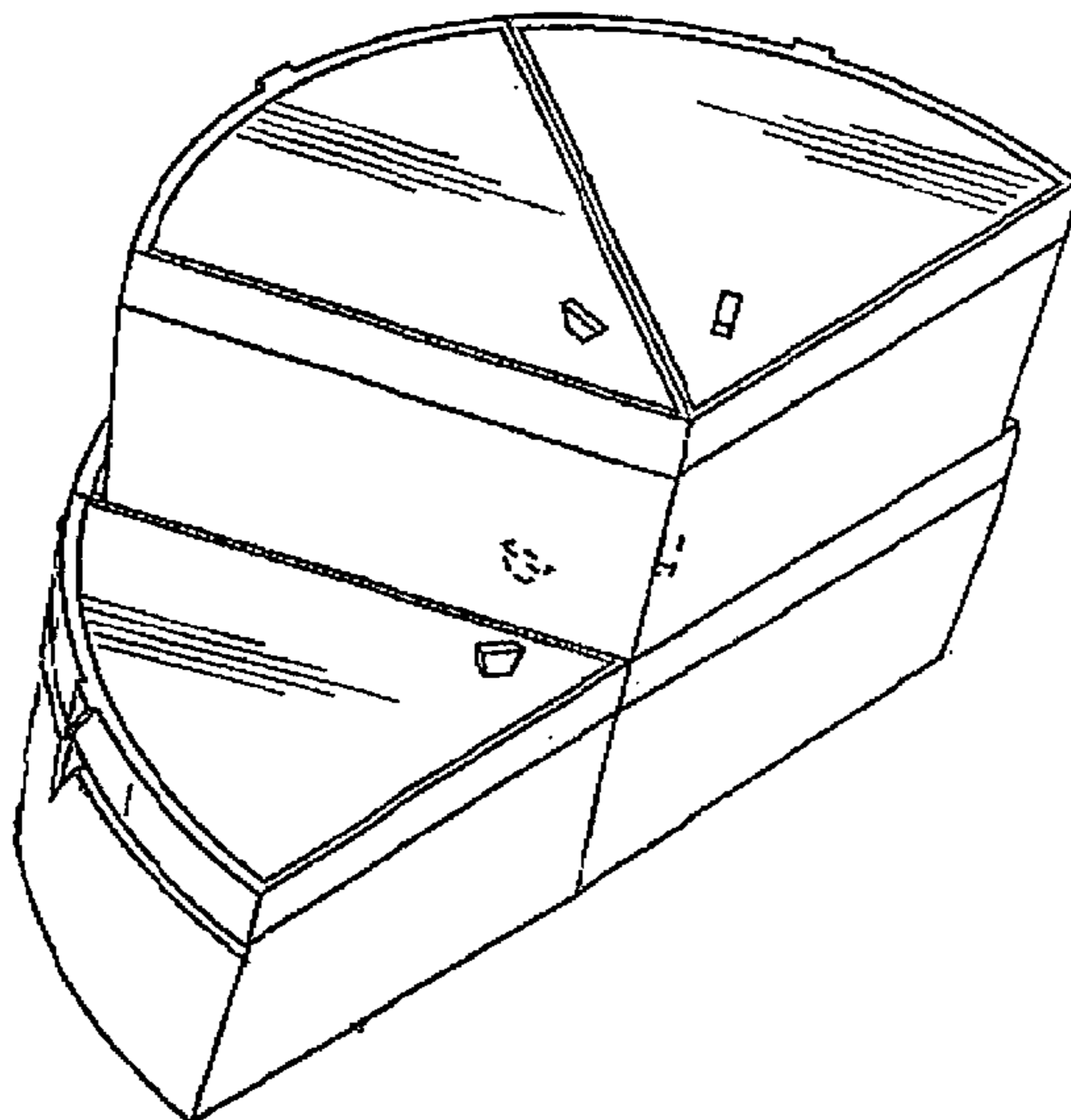
FIG. 9 is a bottom plan view of FIG. 7.

FIG. 10 is a front view of FIG. 7; and,

FIG. 11 is a front the wedged containers of FIG. 1.

The tray and containers are shown separately for clarity of illustration.

1 Claim, 7 Drawing Sheets



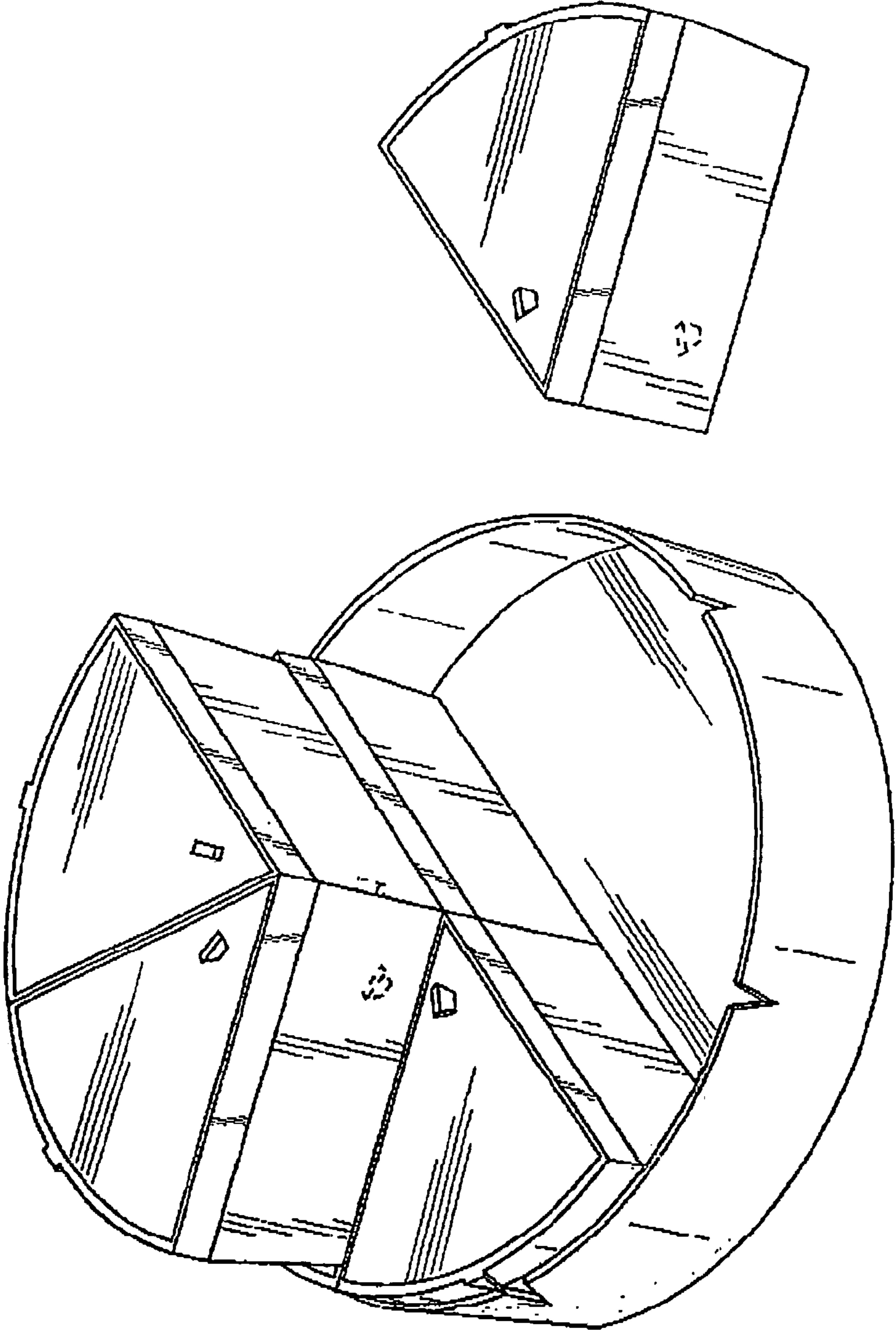


FIG. 1

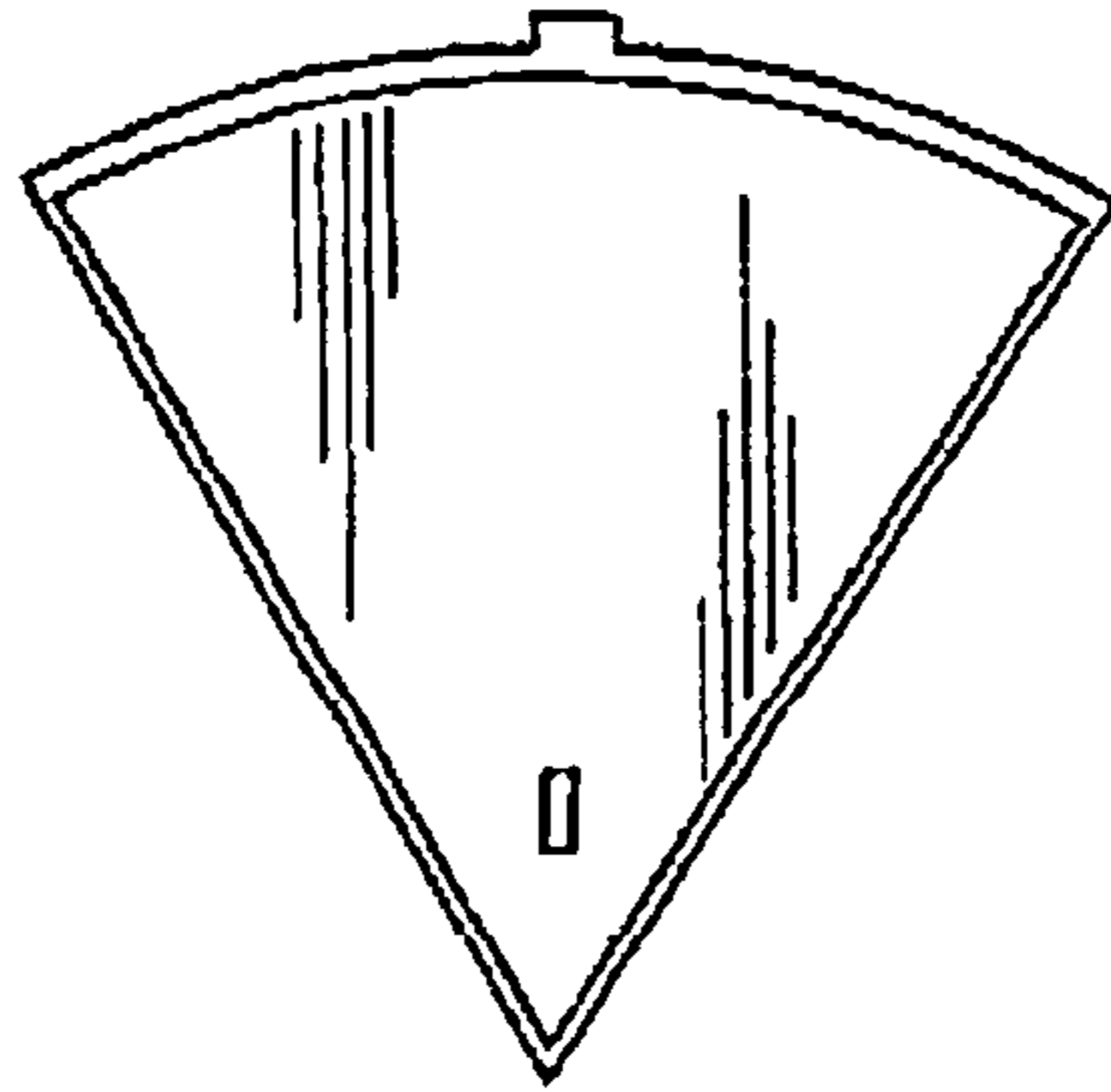


FIG. 2

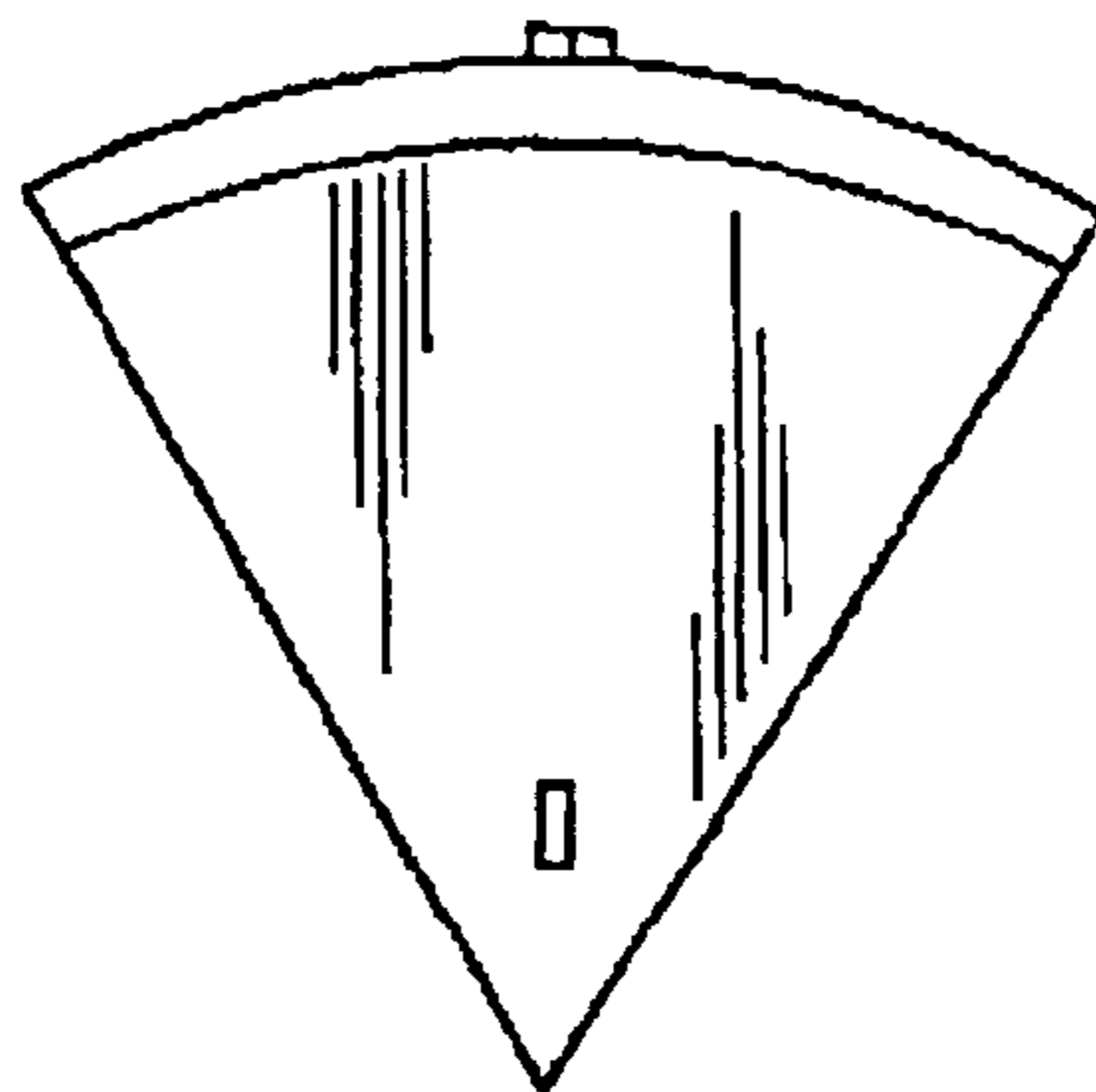


FIG. 3

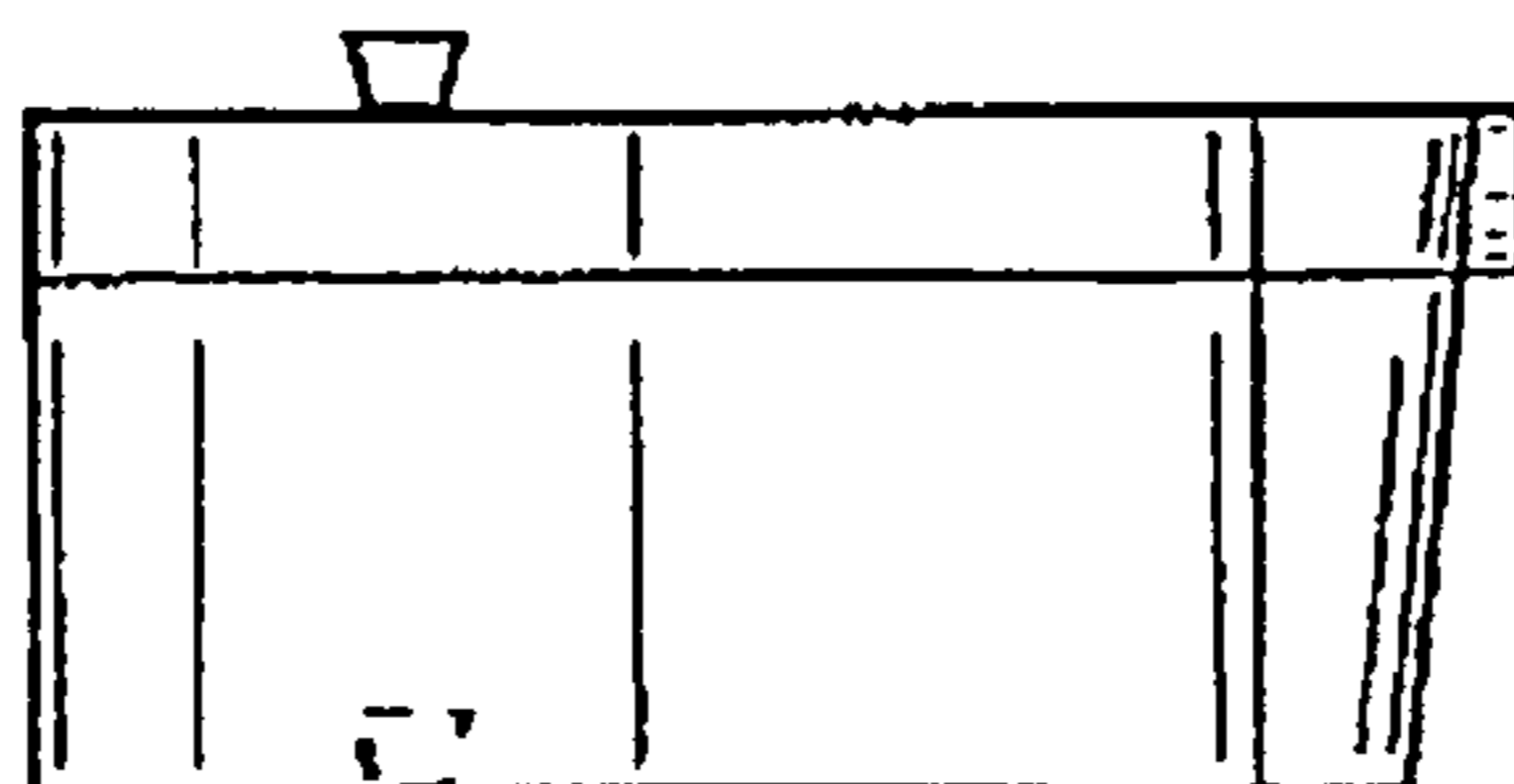


FIG. 4

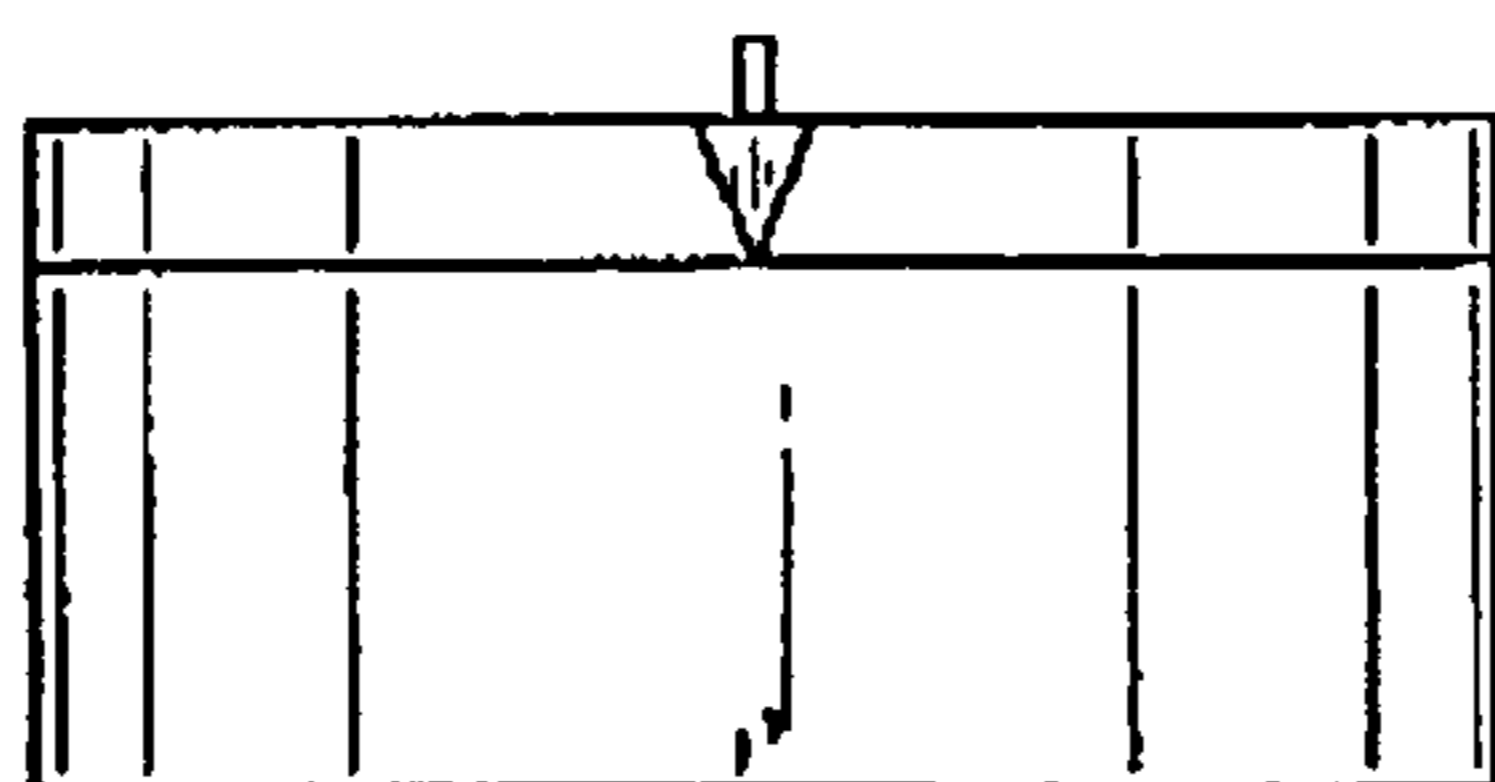


FIG. 5

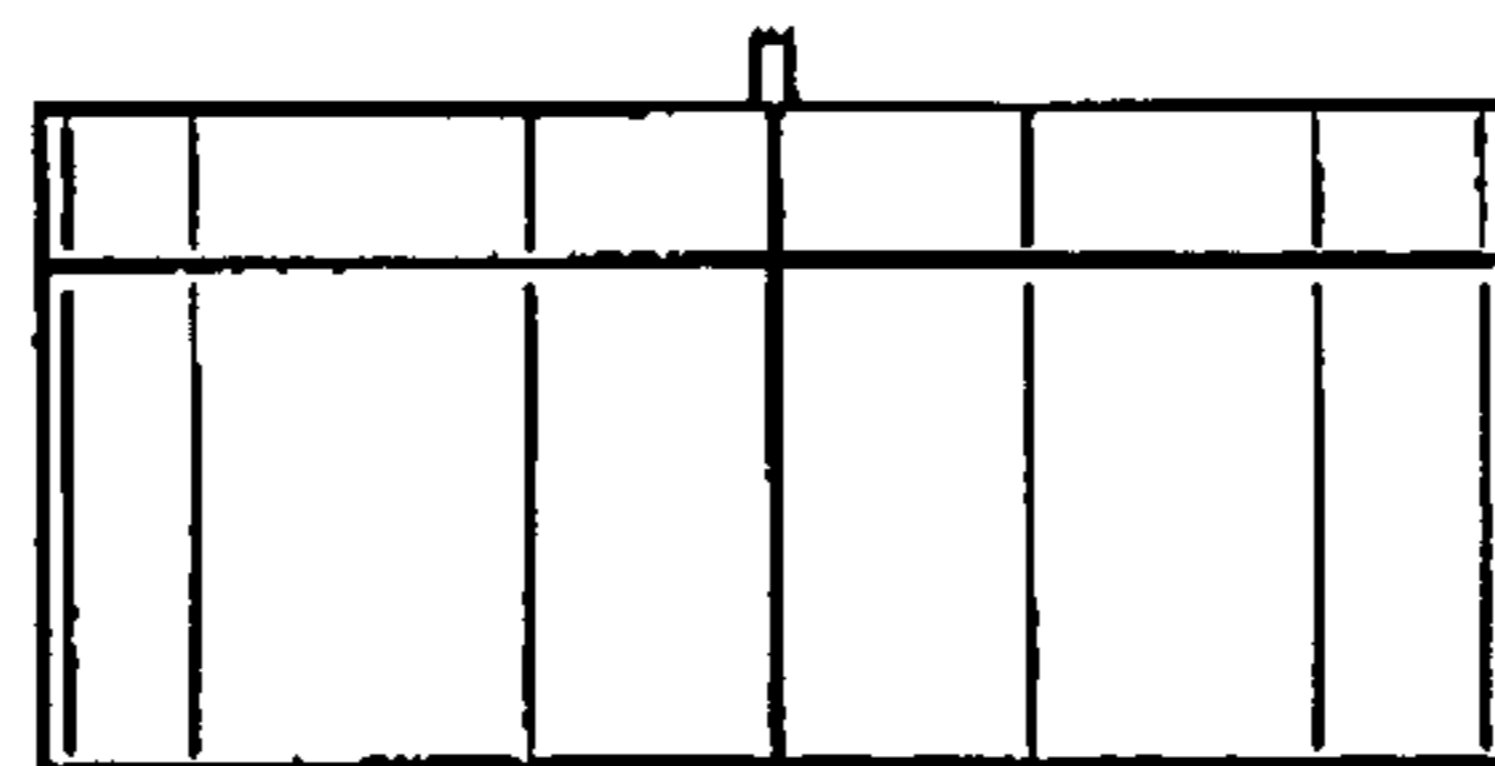


FIG. 6

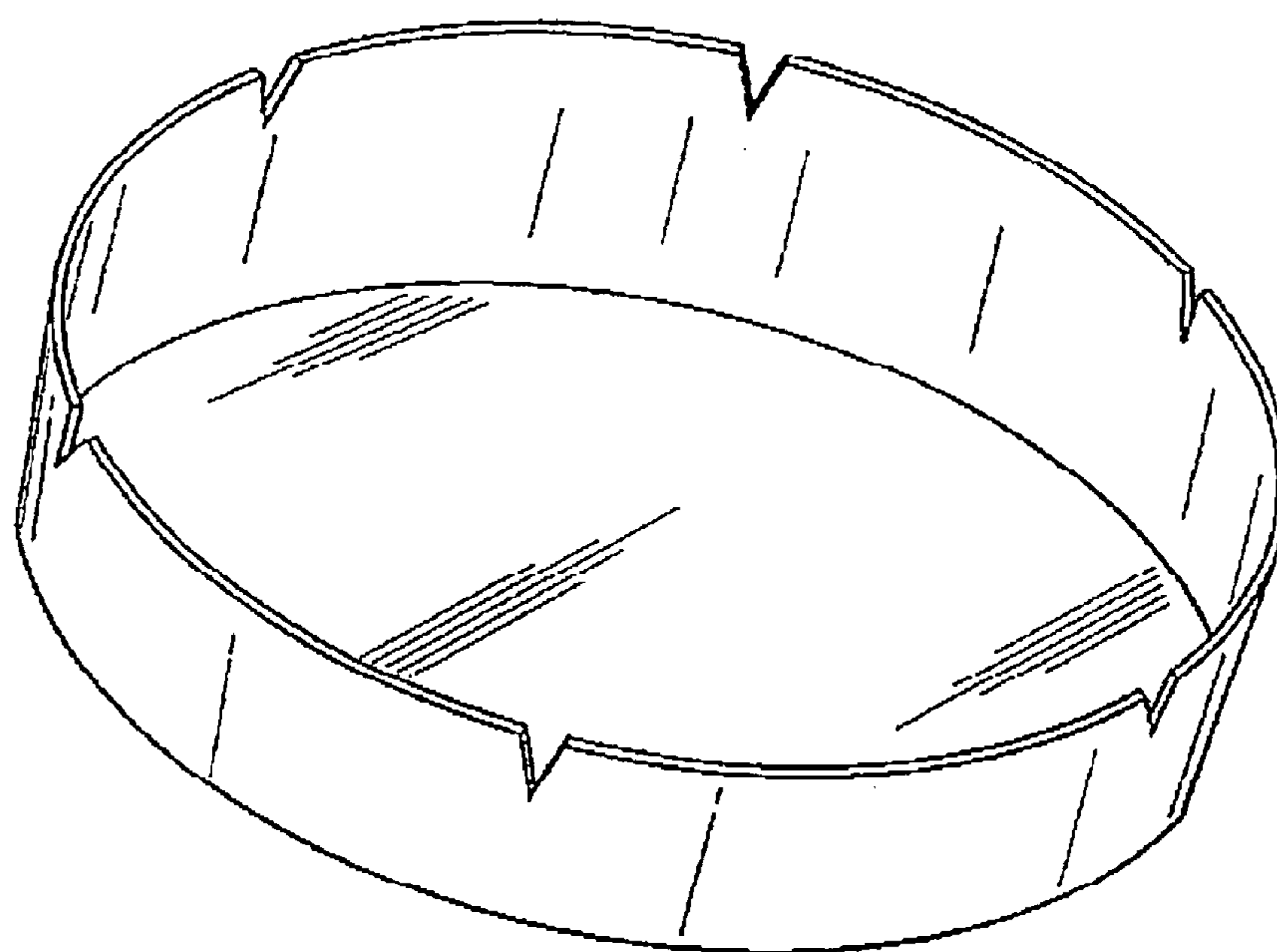


FIG. 7

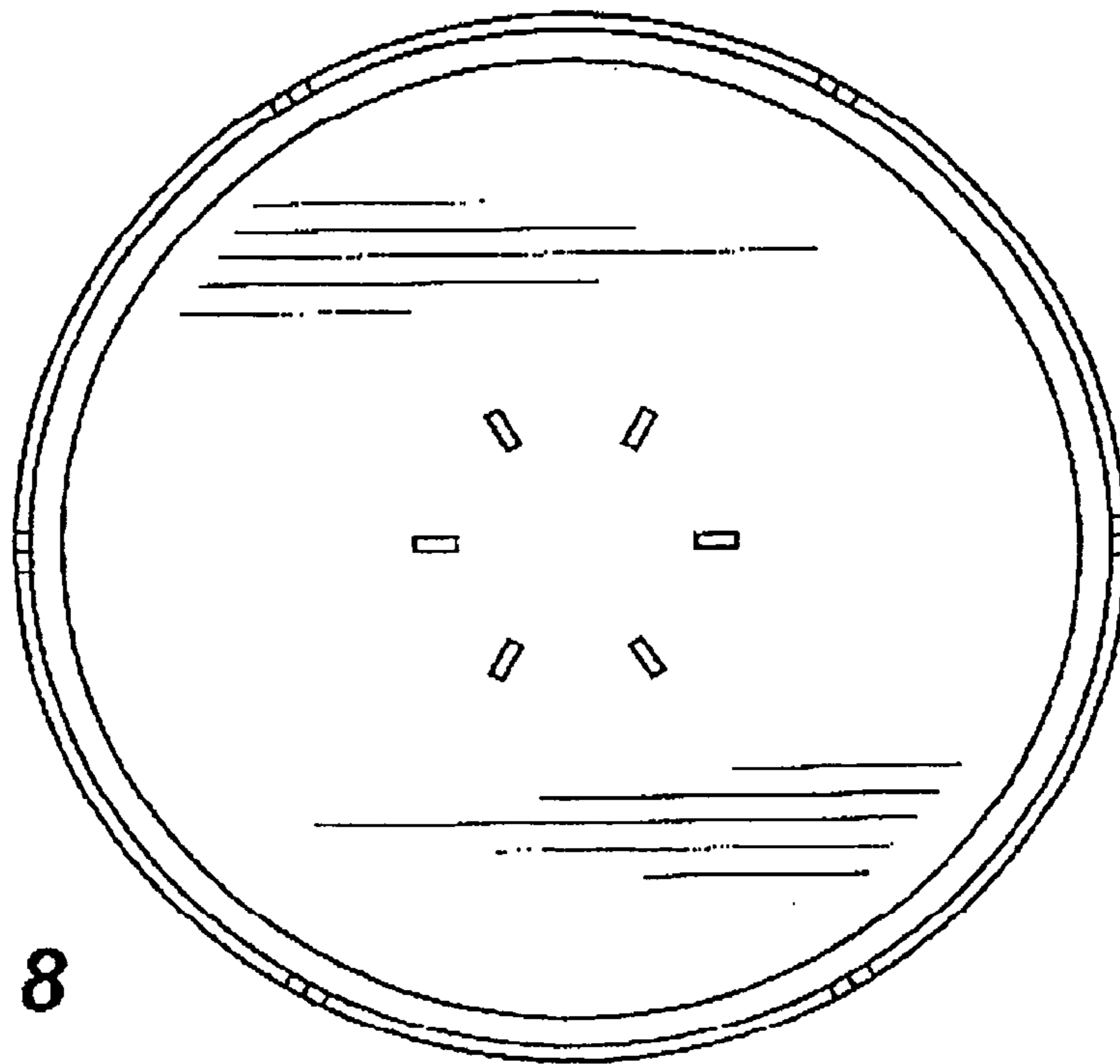


FIG. 8

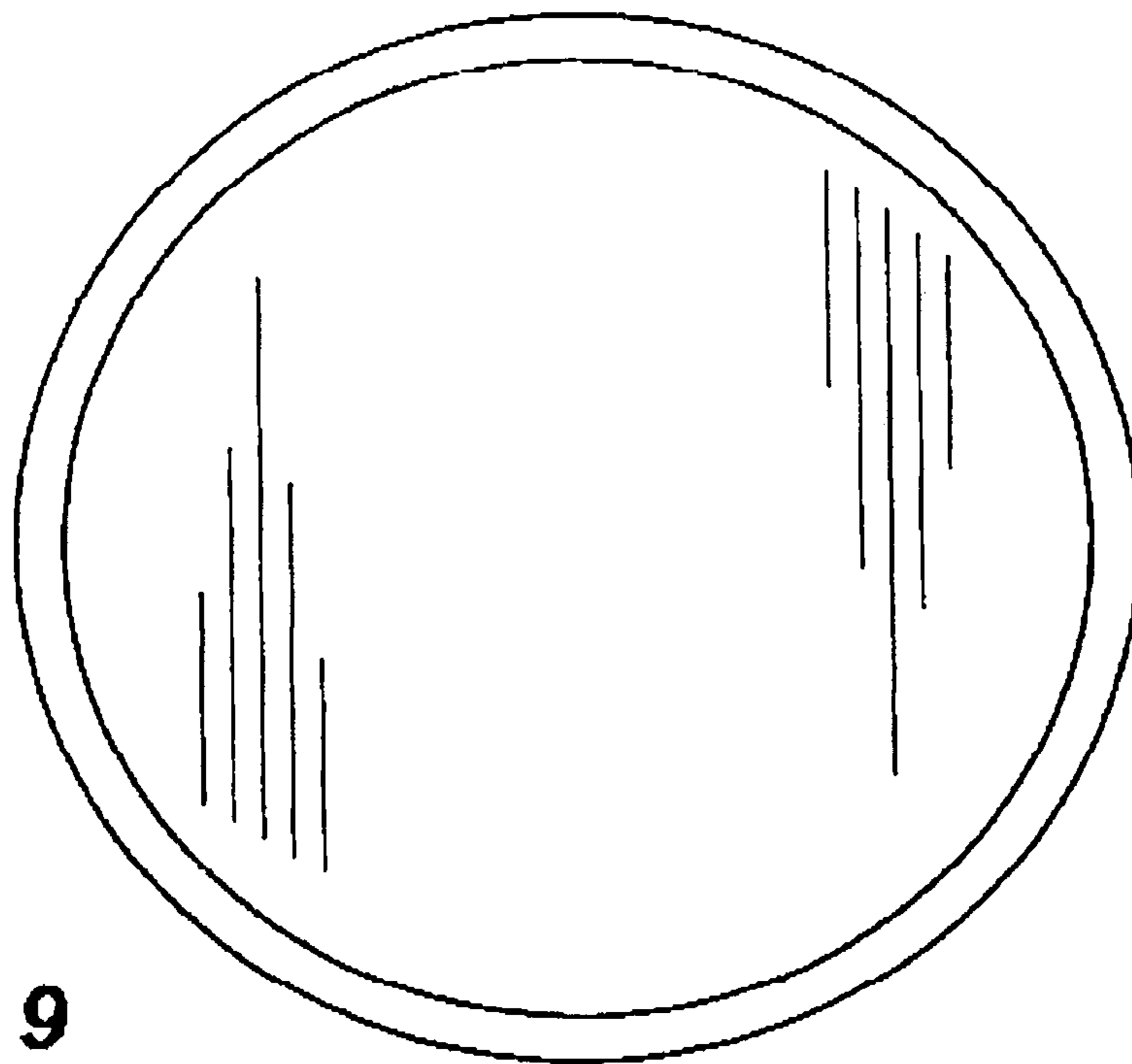


FIG. 9

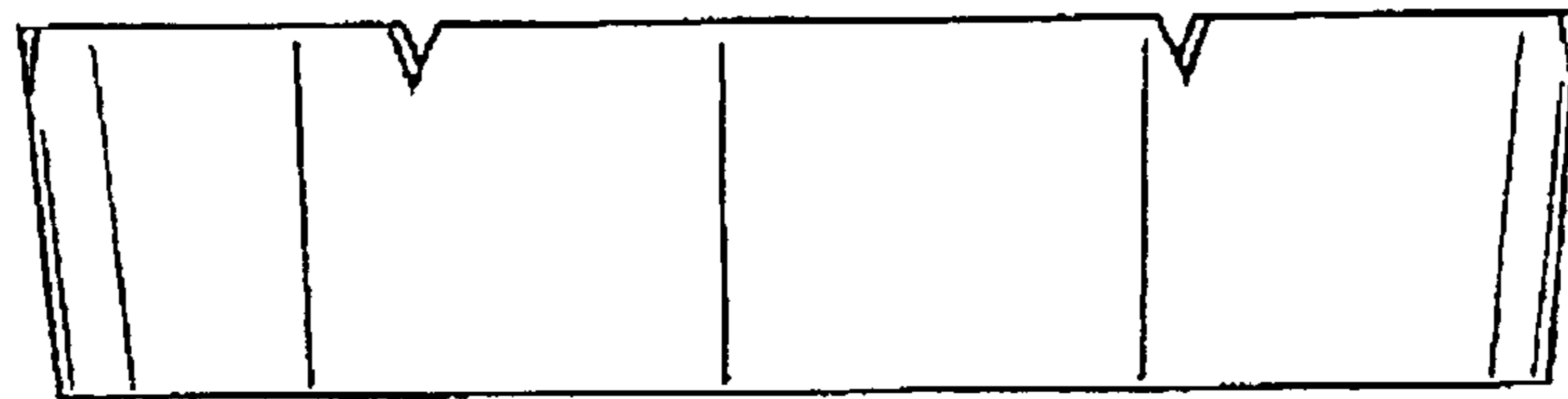


FIG. 10

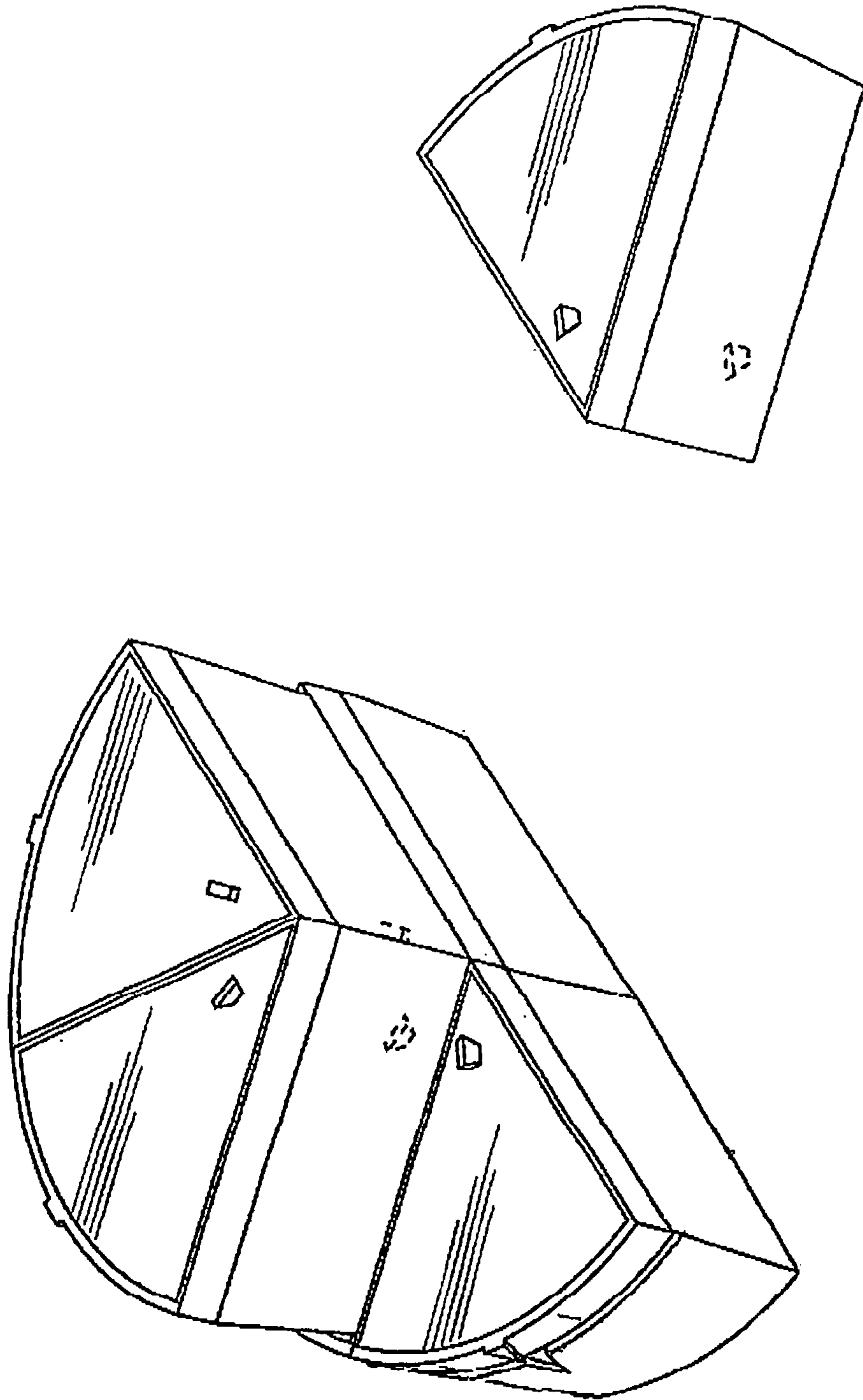


FIG. 11