



US00D705606S

(12) **United States Design Patent**
Coakley et al.

(10) **Patent No.:** **US D705,606 S**

(45) **Date of Patent:** **** May 27, 2014**

(54) **BLENDER CONTAINER**

(56) **References Cited**

(71) Applicant: **Euro-Pro Operating LLC**, Newton, MA (US)

(72) Inventors: **Devin Joseph Coakley**, Bellingham, MA (US); **Mark Allen Nichols**, Newton Highlands, MA (US); **Michael Tracz**, Brecksville, OH (US); **Anthony DeMore**, Willoughby, OH (US); **James Park**, Chardon, OH (US)

U.S. PATENT DOCUMENTS

| | | | | | | |
|-----------|---|---|---------|---------------------|-------|-----------|
| 2,794,627 | A | * | 6/1957 | Rodwick | | 241/282.2 |
| D227,535 | S | * | 7/1973 | Grimes | | D7/318 |
| D228,698 | S | * | 10/1973 | Barnard, Jr. et al. | | D7/378 |
| D336,590 | S | * | 6/1993 | Barnard | | D7/378 |
| D424,371 | S | * | 5/2000 | Delmonte | | D7/607 |
| D429,956 | S | * | 8/2000 | Bohannon et al. | | D7/413 |
| D480,915 | S | * | 10/2003 | Kolar et al. | | D7/413 |
| D484,357 | S | * | 12/2003 | Seum et al. | | D7/378 |
| D538,595 | S | * | 3/2007 | White et al. | | D7/413 |
| D578,340 | S | * | 10/2008 | Picozza et al. | | D7/378 |
| D583,190 | S | * | 12/2008 | Christou | | D7/378 |
| D588,406 | S | * | 3/2009 | Ulanski | | D7/413 |
| D616,244 | S | * | 5/2010 | Thai et al. | | D7/378 |
| D621,656 | S | * | 8/2010 | Ulanski et al. | | D7/413 |
| D625,141 | S | * | 10/2010 | Moore | | D7/378 |
| D637,863 | S | * | 5/2011 | Wu | | D7/378 |
| D638,256 | S | * | 5/2011 | Wu | | D7/378 |
| D642,858 | S | * | 8/2011 | Lazzer | | D7/378 |
| D647,367 | S | * | 10/2011 | Audette et al. | | |

(73) Assignee: **Euro-Pro Operating LLC**, Newton, MA (US)

(**) Term: **14 Years**

(21) Appl. No.: **29/447,116**

(22) Filed: **Feb. 28, 2013**

(51) **LOC (10) Cl.** **31-00**

(52) **U.S. Cl.**
USPC **D7/413; D7/376; D7/378; D7/412**

(58) **Field of Classification Search**
USPC D7/301-313, 316-326, 354-357, 368, D7/372-386, 391-398, 402, 412-415, 503, D7/515, 543, 584-587, 607, 665-666, 679, D7/691-693; 99/280, 326, 348, 492, 99/508-512; 241/30-37.5, 82.1, 92, 98, 241/101.01-101.2, 166-169.1, 172, 272, 241/282.2, 285.1-285.3, 291, 292.1; 366/64-67, 98, 129, 142-144, 169.1, 366/192-211, 241-254, 262, 279-292, 314, 366/325.8, 325.92, 341-347; 416/75-77, 416/70 R, 163

See application file for complete search history.

(Continued)

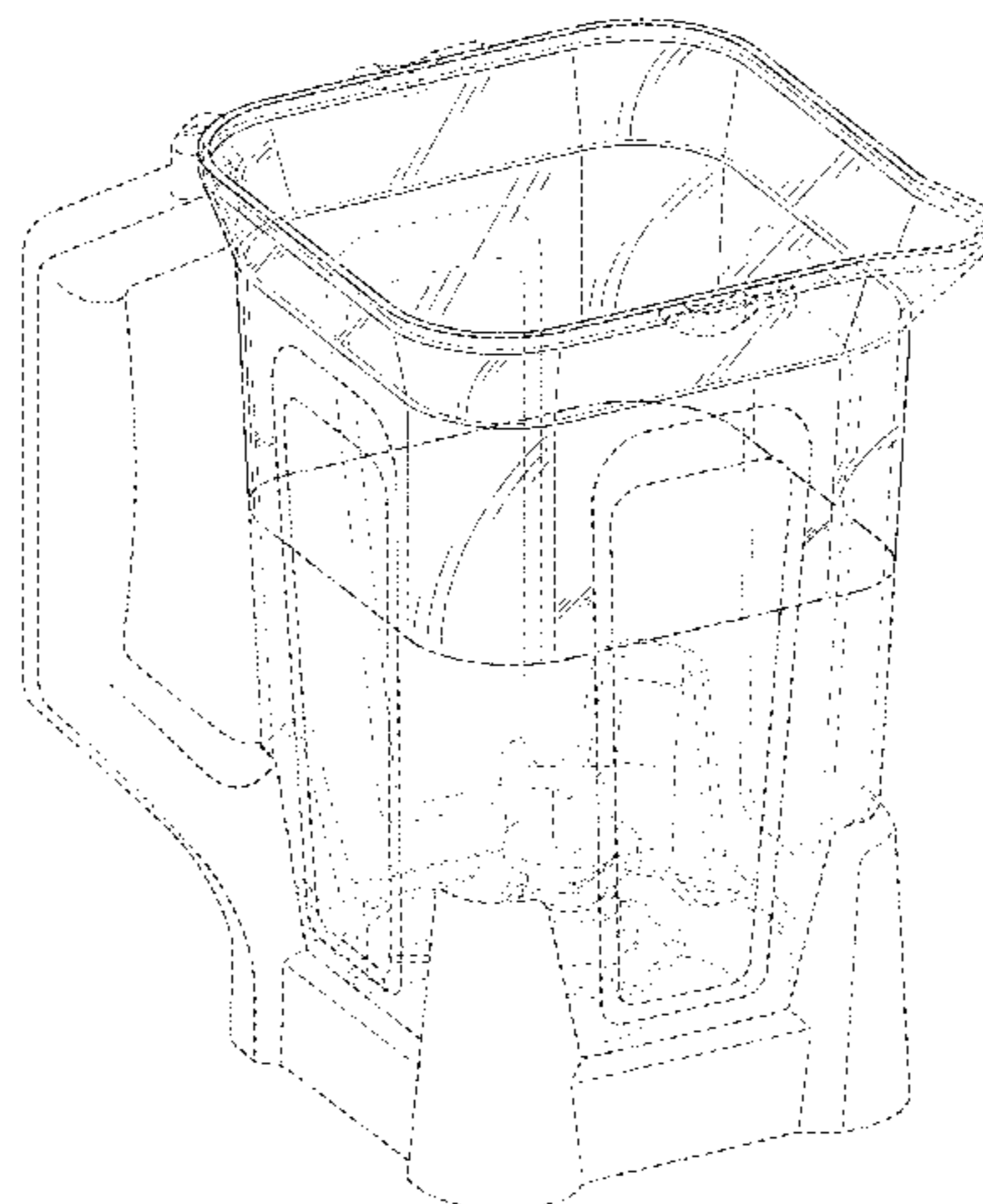
Primary Examiner — Ricky Pham
(74) *Attorney, Agent, or Firm* — Wolf, Greenfield & Sacks, P.C.

(57) **CLAIM**
The ornamental design for a blender container, as shown and described.

DESCRIPTION

FIG. 1 is a top, front, right side perspective view of a blender container showing our new design;
FIG. 2 is a front elevational view thereof;
FIG. 3 is a rear elevational view thereof;
FIG. 4 is a left side elevational view thereof;
FIG. 5 is a right side elevational view thereof;
FIG. 6 is a top plan view thereof; and,
FIG. 7 is a bottom plan view thereof.
The broken lines of FIGS. 1-7 illustrate portions of the blender container that form no part of the claimed design. The dash-dot-dash broken lines shown in FIGS. 1-7 define boundaries of the claimed design.

1 Claim, 7 Drawing Sheets



(56)

References Cited

U.S. PATENT DOCUMENTS

D647,368 S 10/2011 Audette et al.
D661,547 S * 6/2012 Brinckerhoff et al. D7/413
D661,548 S * 6/2012 Brinckerhoff et al. D7/413
D661,947 S * 6/2012 Conti et al. D7/413

D662,359 S * 6/2012 Boozer et al. D7/413
D678,726 S * 3/2013 Palermo et al. D7/413
D684,818 S * 6/2013 Lee D7/413
8,529,120 B2 * 9/2013 Ulanski 366/314
2009/0129200 A1 * 5/2009 Breviere et al. 366/205
2012/0024993 A1 2/2012 Audette et al.
2012/0026827 A1 2/2012 Audette

* cited by examiner

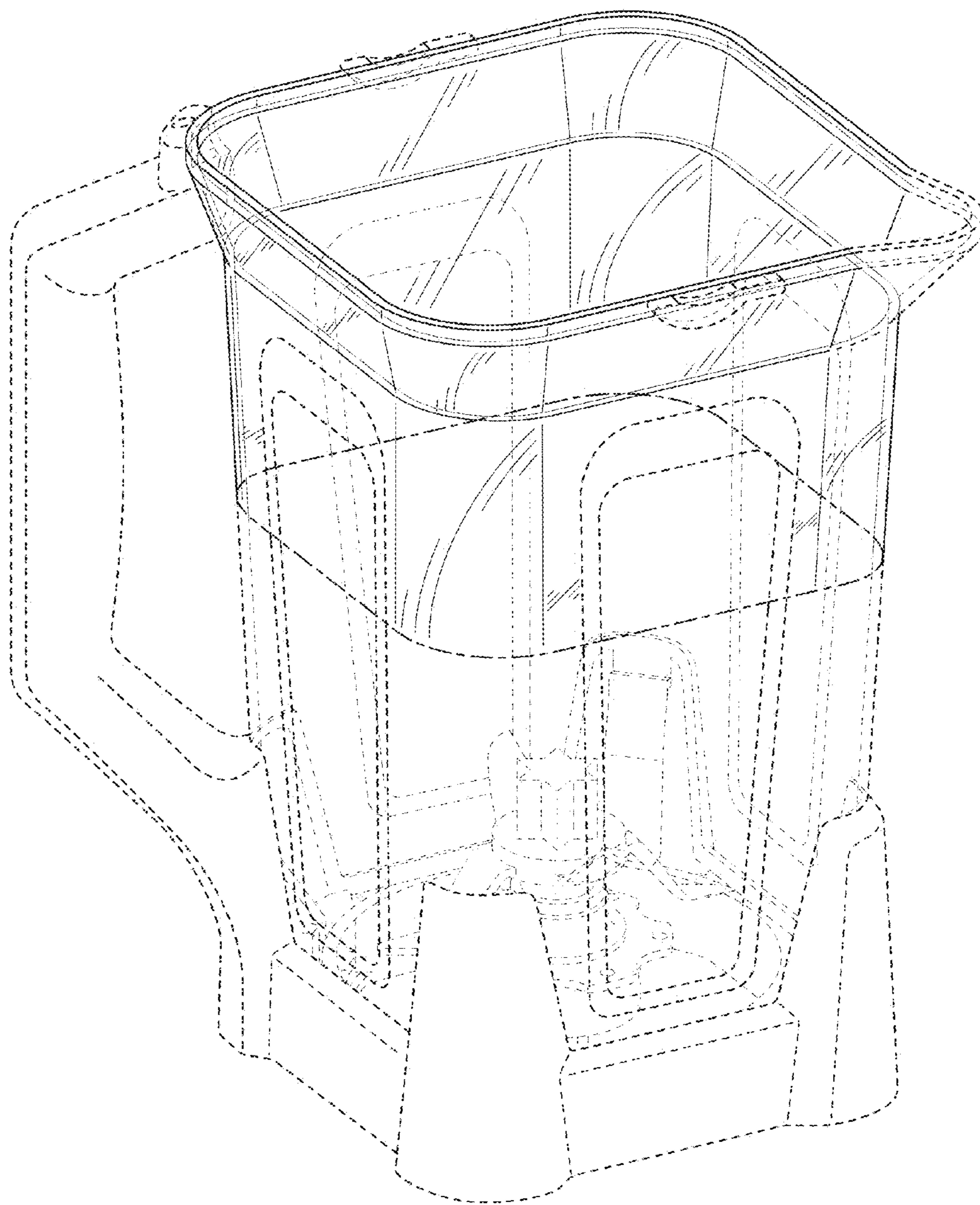


FIG. 1

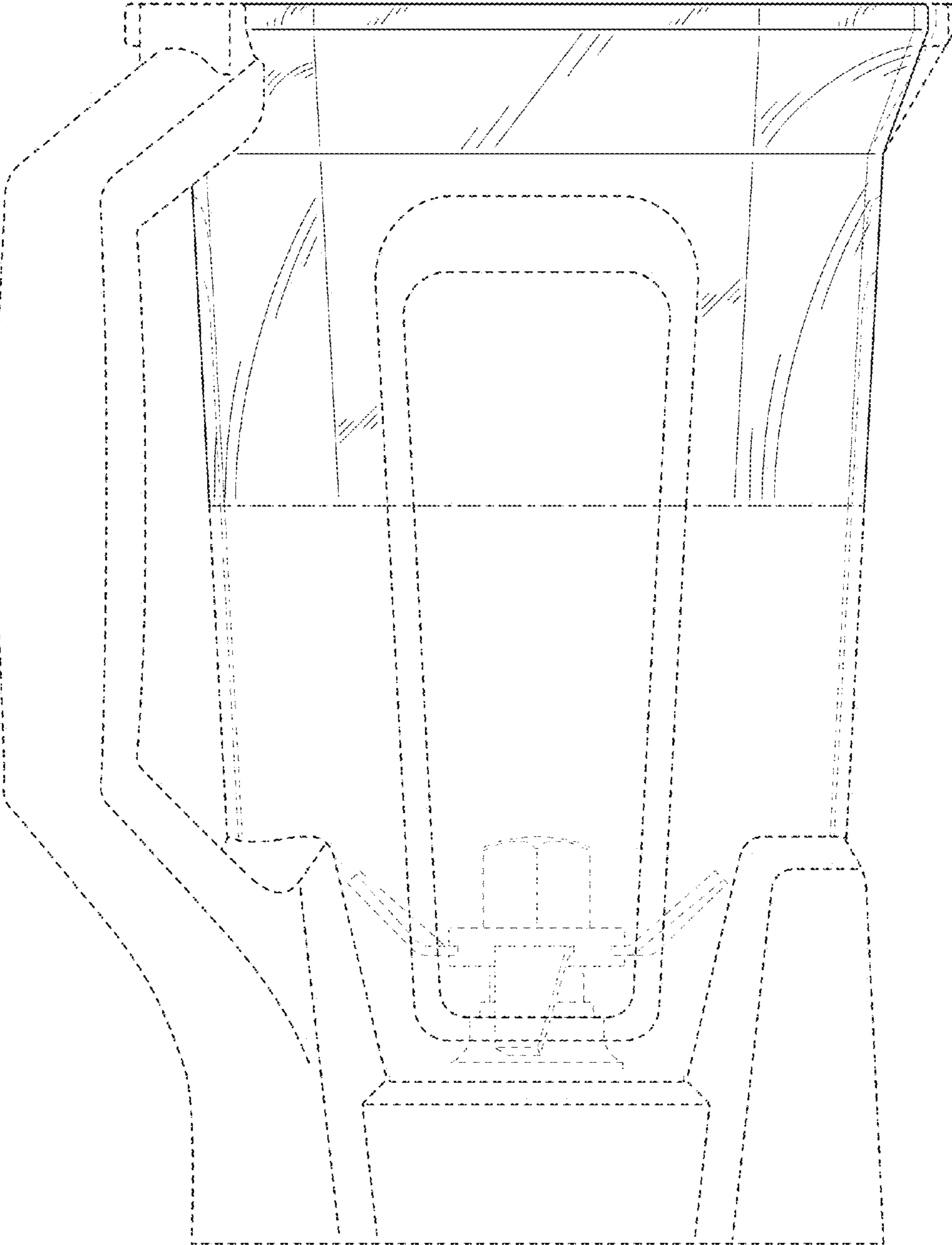


FIG. 2

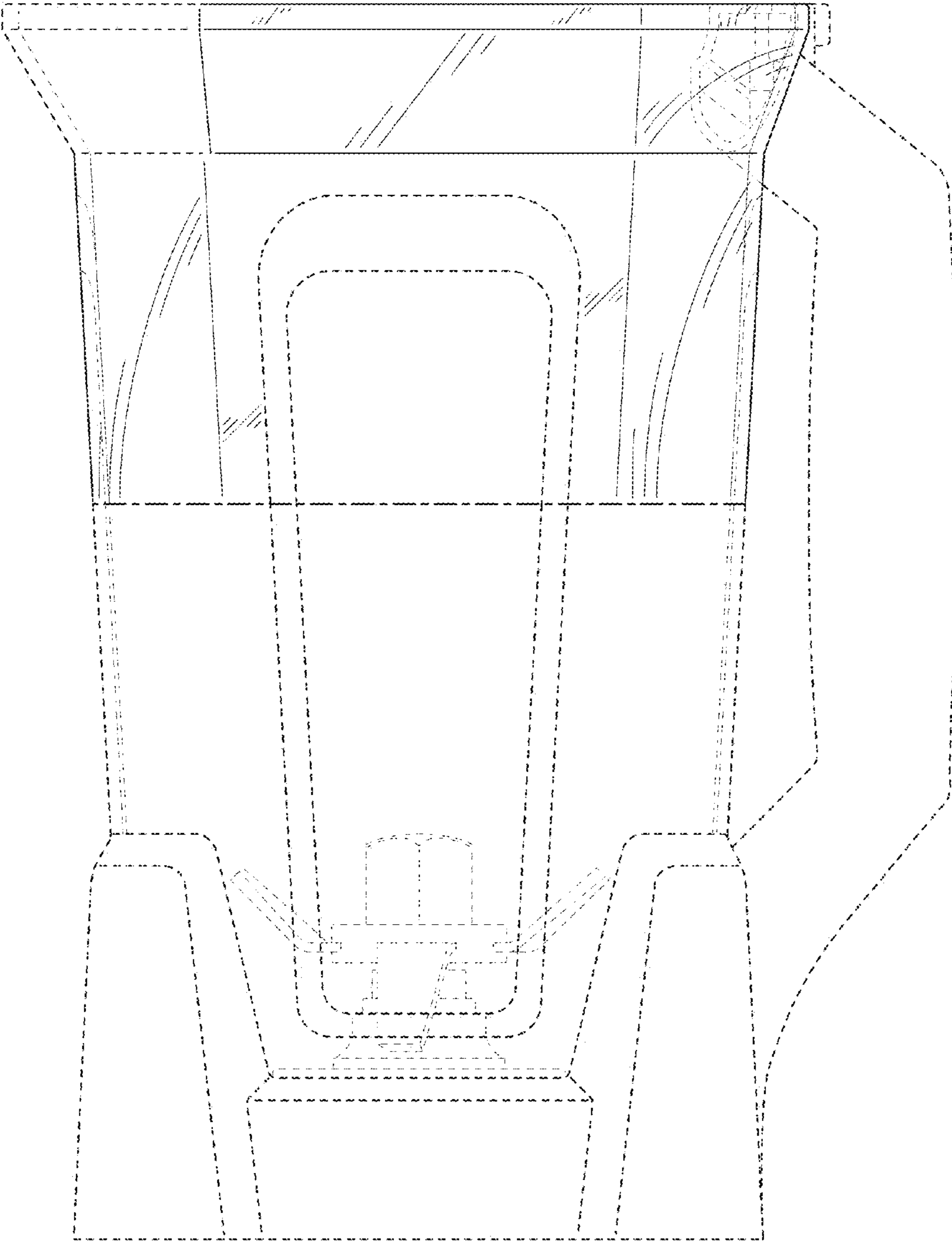


FIG. 3

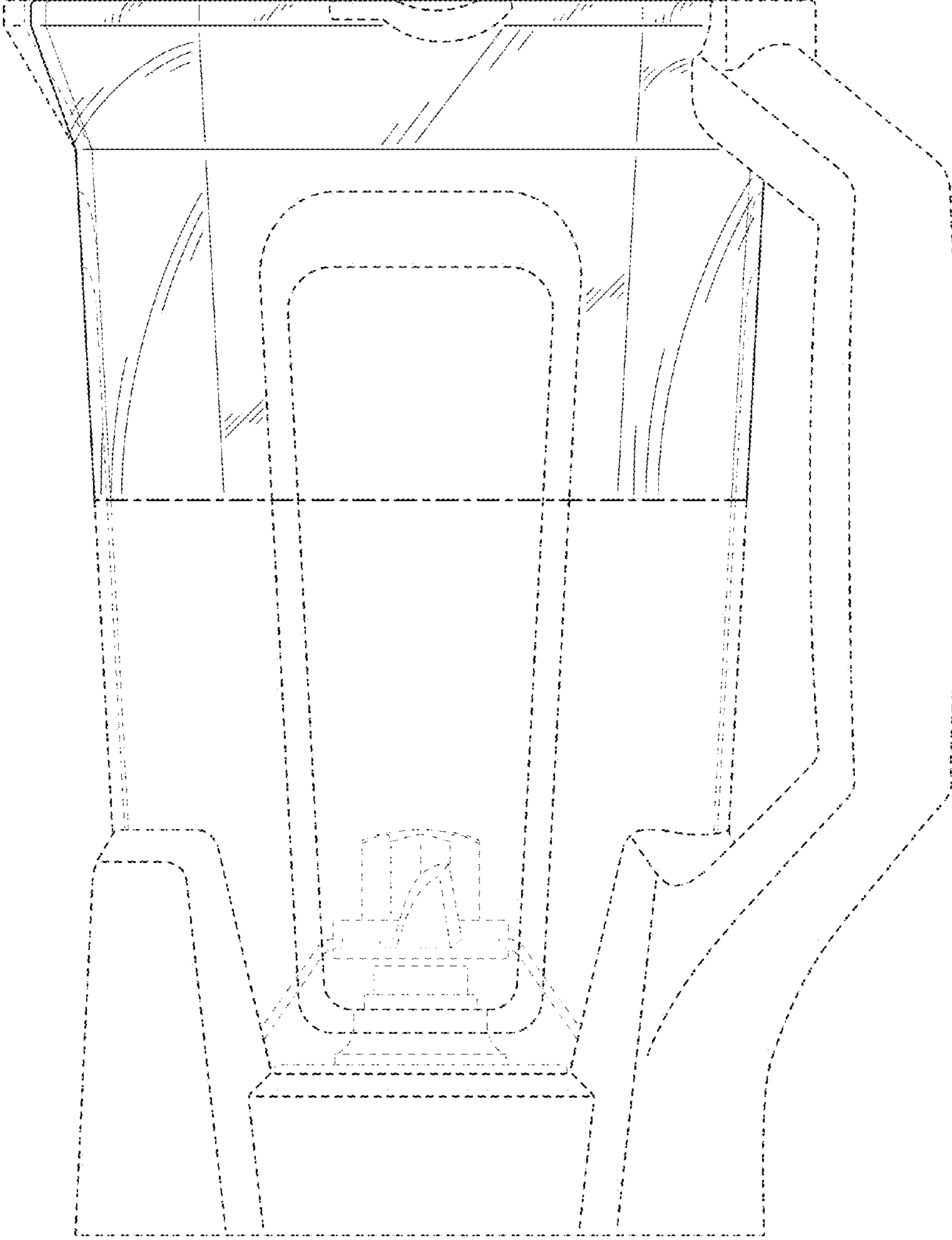


FIG. 4

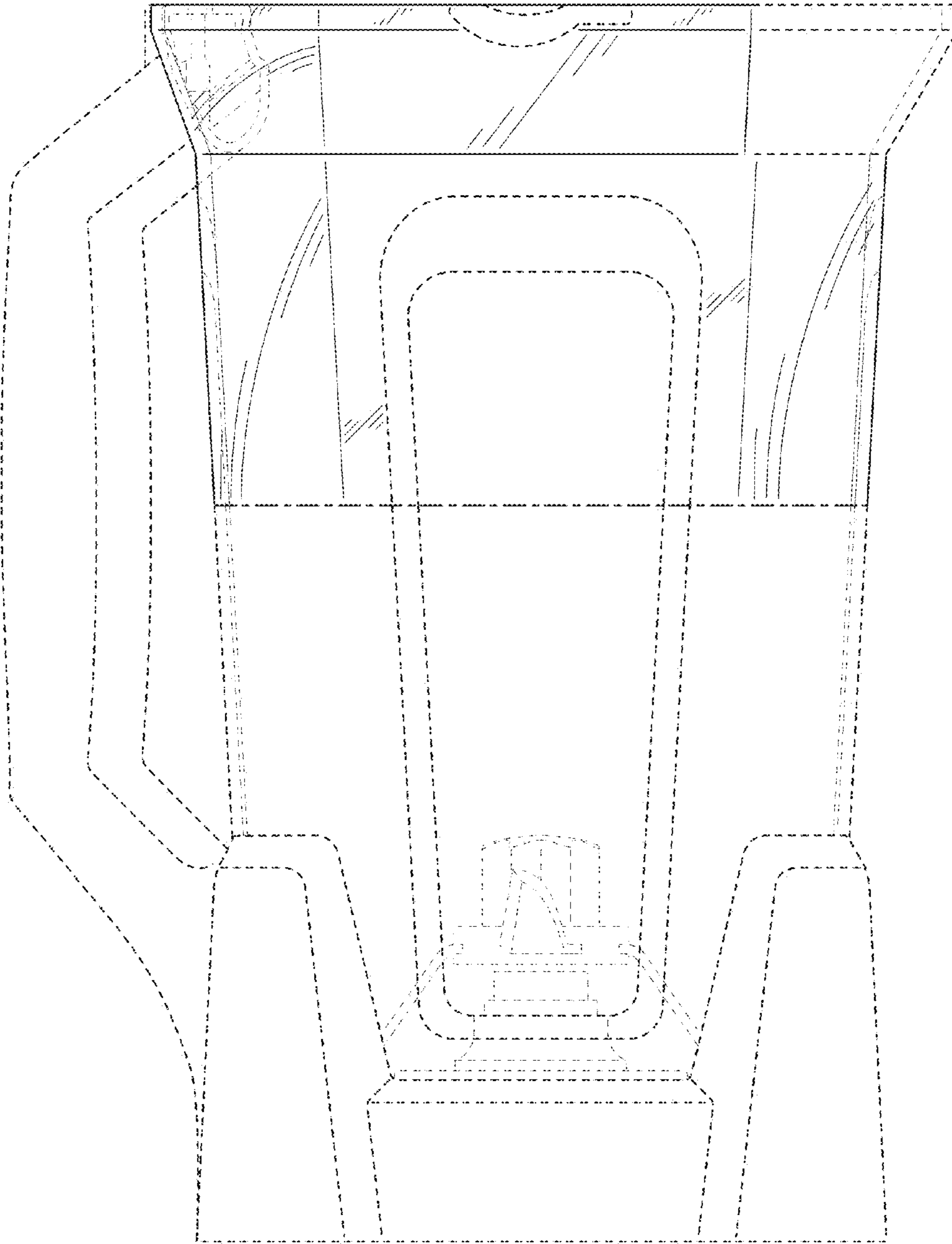


FIG. 5

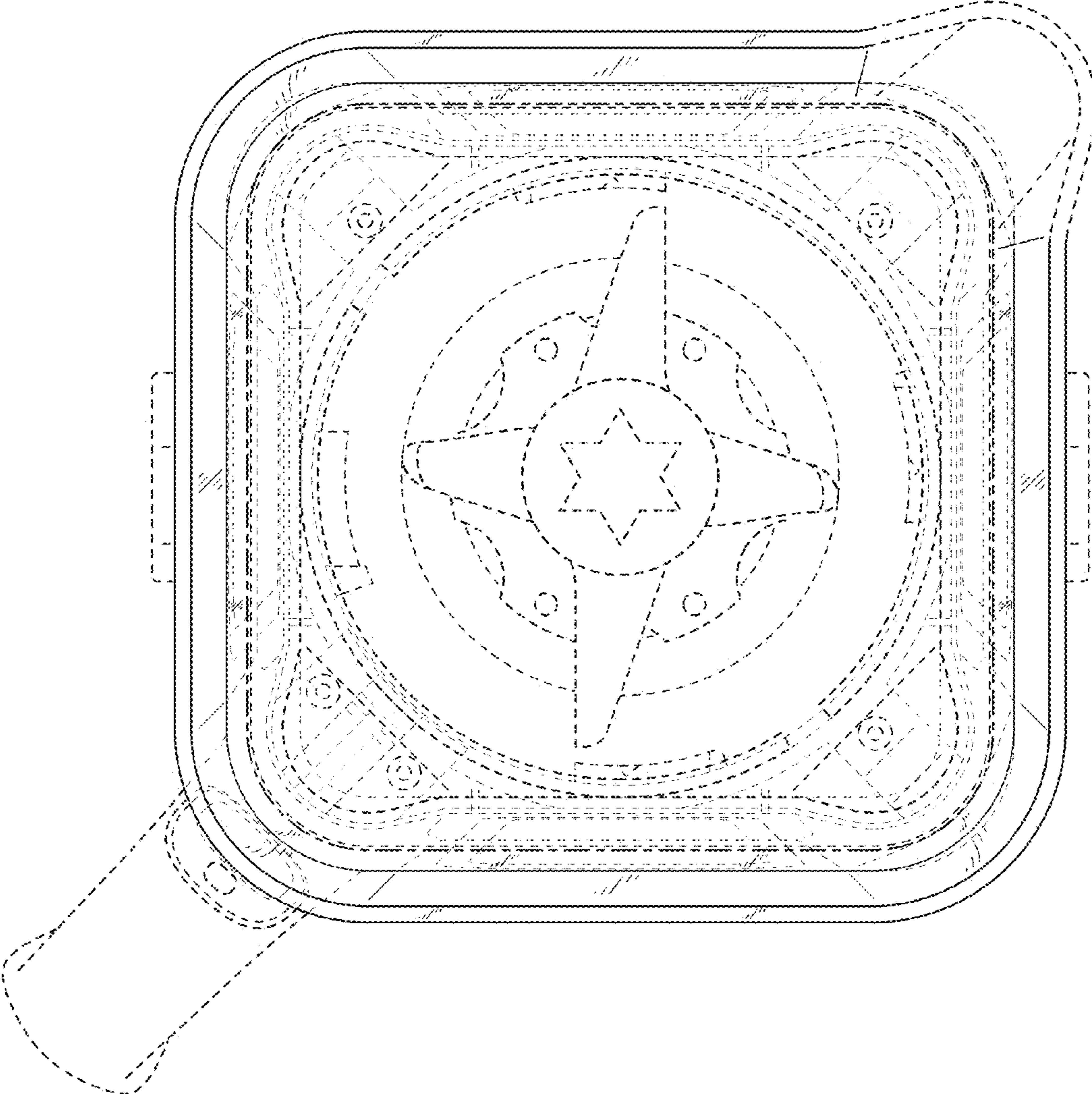


FIG. 6

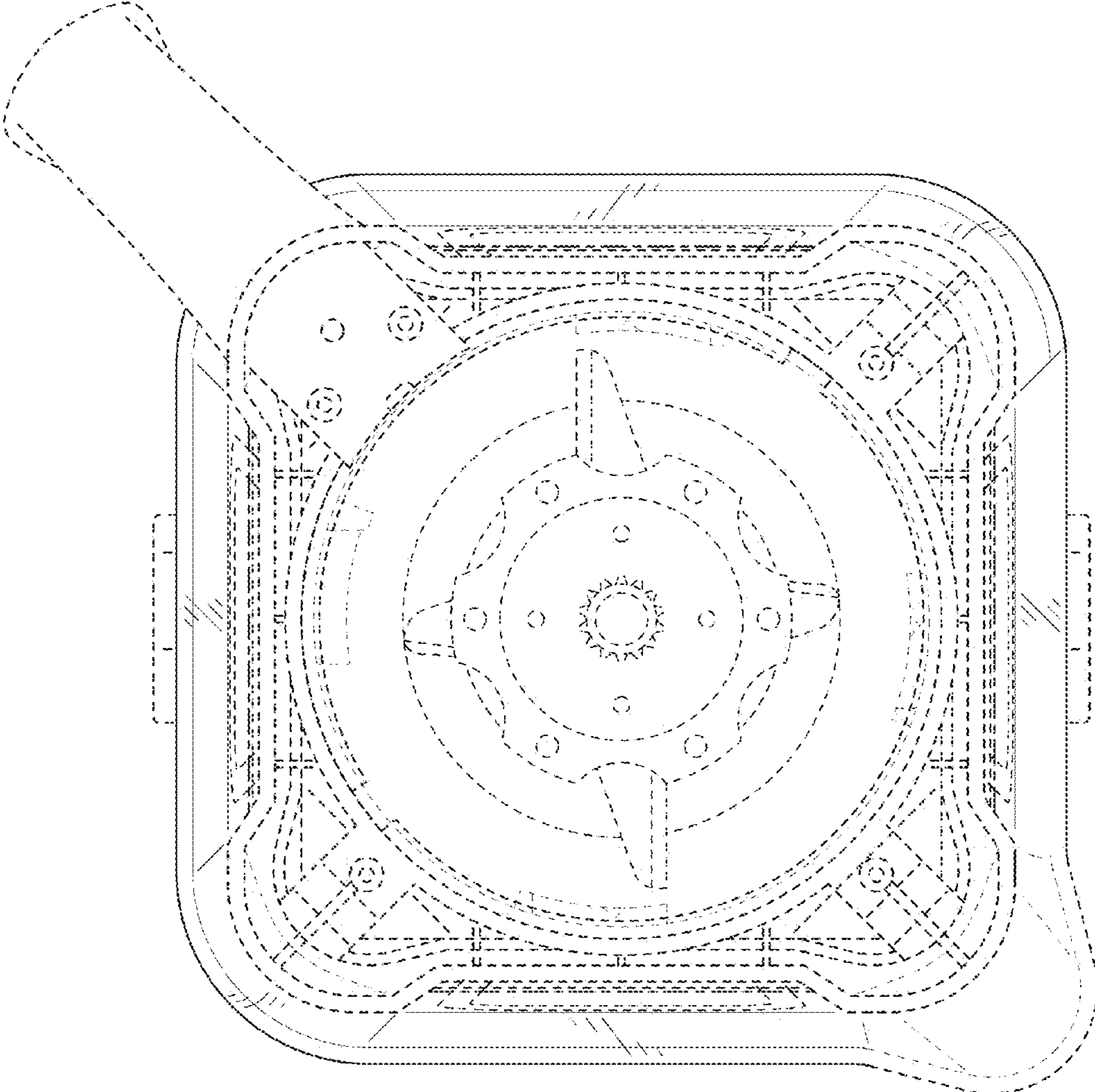


FIG. 7