



US00D705603S

(12) **United States Design Patent**
Dicocco

(10) **Patent No.:** **US D705,603 S**

(45) **Date of Patent:** **** May 27, 2014**

(54) **FLATWARE**

(71) Applicant: **Oneida Ltd.**, Oneida, NY (US)

(72) Inventor: **Michael Dicocco**, Chittenango, NY (US)

(73) Assignee: **Oneida Ltd.**, Oneida, NY (US)

(**) Term: **14 Years**

(21) Appl. No.: **29/451,061**

(22) Filed: **Mar. 27, 2013**

(51) **LOC (10) Cl.** **07-03**

(52) **U.S. Cl.**
USPC **D7/401.2; D7/642; D7/649; D7/653;**
D7/661

(58) **Field of Classification Search**
USPC D7/368, 393-395, 401.2, 642-648,
D7/649-657, 660-664, 669, 675-677, 683,
D7/688-692, 695-696; 30/120.1, 137,
30/141-143, 147-150, 322-327, 329, 340,
30/342-344; 416/70 R, 75
See application file for complete search history.

(56) **References Cited**

U.S. PATENT DOCUMENTS

D38,745 S *	8/1907	Edmondston	D7/656
D158,818 S *	5/1950	Titensky	D7/648
D232,692 S *	9/1974	Kayhoe	D7/653
D252,010 S *	6/1979	Manderfield	D7/656
D362,792 S *	10/1995	Shane-Schuldt	D7/657
D371,282 S *	7/1996	Ronick	D7/653

D405,658 S *	2/1999	Crane et al.	D7/653
D414,382 S *	9/1999	Crane et al.	D7/643
D507,941 S *	8/2005	Tranfaglia et al.	D7/656
D508,382 S *	8/2005	Tranfaglia et al.	D7/656

* cited by examiner

Primary Examiner — Ricky Pham

(74) *Attorney, Agent, or Firm* — Frost Brown Todd LLC

(57) **CLAIM**

The ornamental design for flatware, as shown and described.

DESCRIPTION

FIG. 1 is a top plan view of a new ornamental design for flatware embodied as a knife, the opposite bottom plan view being a mirror image.

FIG. 2 is a side elevation view thereof.

FIG. 3 is a side elevation view thereof, shown from the opposite side of that shown in FIG. 2.

FIG. 4 is an end view thereof, shown from the end of the handle.

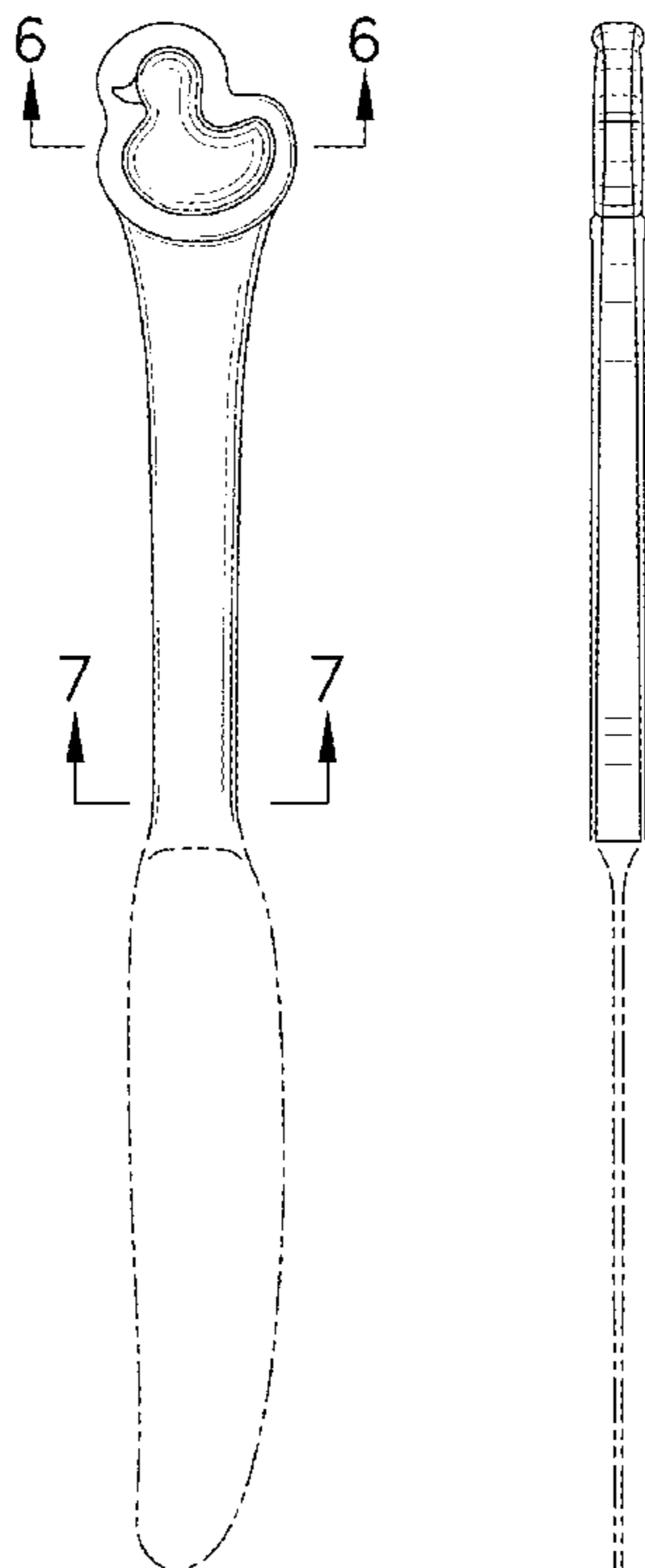
FIG. 5 is an end view thereof, shown from the opposite end of that shown in FIG. 4.

FIG. 6 is a cross-sectional view taken along section line 6-6 of FIG. 1 to illustrate the peripheral shape of the article at the cross-section; and,

FIG. 7 is a cross-sectional view taken along section line 7-7 of FIG. 1 to illustrate the peripheral shape of the article at the cross-section.

The broken lines in the drawings are included for purposes of illustrating portions of the article that form no part of the claimed design.

1 Claim, 1 Drawing Sheet



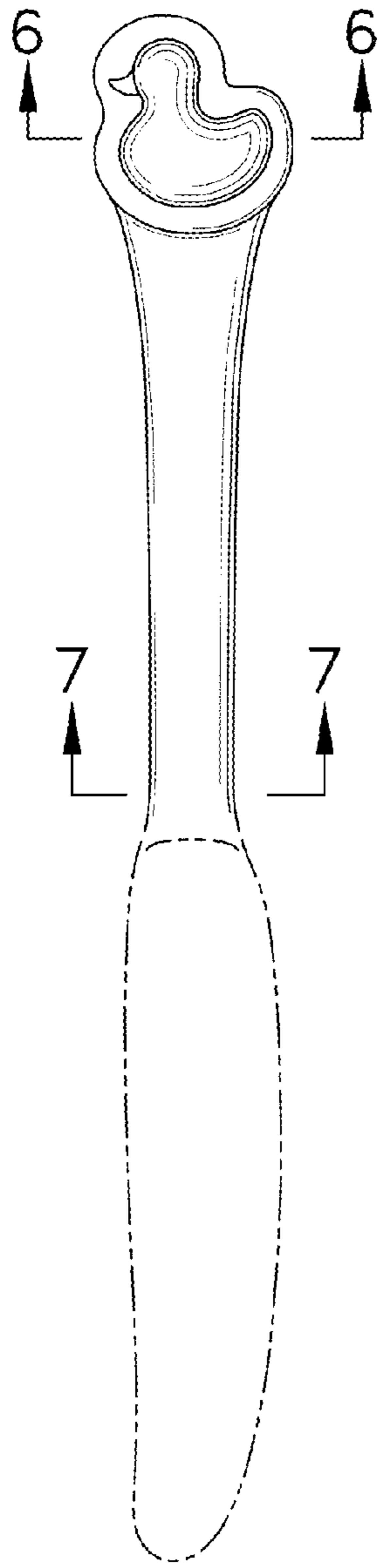


Fig. 1

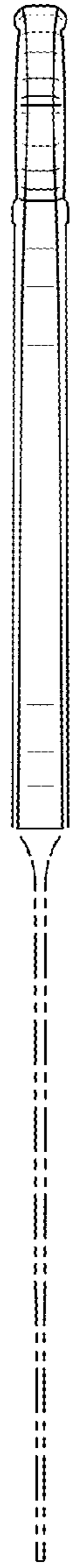


Fig. 2

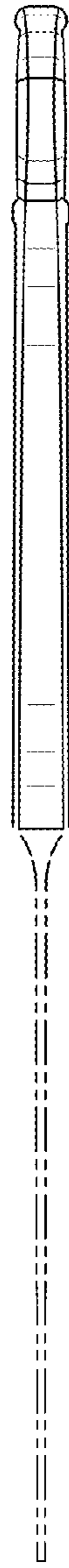


Fig. 3

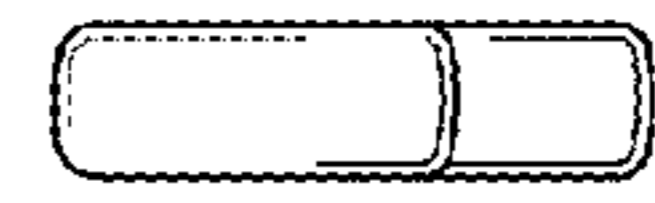


Fig. 4



Fig. 5

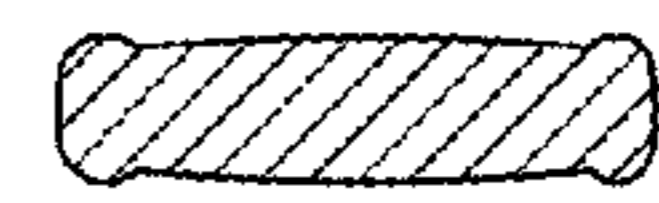


Fig. 6



Fig. 7