



US00D705602S

(12) **United States Design Patent**  
**Shane-Schuldt**

(10) **Patent No.:** **US D705,602 S**

(45) **Date of Patent:** **\*\* May 27, 2014**

(54) **FLATWARE**

(71) Applicant: **Oneida Ltd.**, Oneida, NY (US)

(72) Inventor: **Diane Shane-Schuldt**, Sherrill, NY (US)

(73) Assignee: **Oneida Ltd.**, Oneida, NY (US)

(\*\*) Term: **14 Years**

(21) Appl. No.: **29/451,035**

(22) Filed: **Mar. 27, 2013**

(51) **LOC (10) Cl.** ..... **07-03**

(52) **U.S. Cl.**  
USPC ..... **D7/401.2; D7/642; D7/653; D7/661**

(58) **Field of Classification Search**  
USPC ..... **D7/368, 393-395, 401.2, 642-646,**  
**D7/649-654, 660-664, 669, 675-677, 683,**  
**D7/688-692, 695-696; 30/120.1, 137,**  
**30/141-143, 147-150, 322-327, 329, 340,**  
**30/342-344; 416/70 R, 75**

See application file for complete search history.

(56) **References Cited**

**U.S. PATENT DOCUMENTS**

D110,647 S *	7/1938	Petterson	.....	D7/653
D145,144 S *	7/1946	Price	.....	D7/653
D168,151 S *	11/1952	Eisenberg	.....	D7/661
D243,916 S *	4/1977	Guodace	.....	D7/663
D334,118 S *	3/1993	Gebhardt	.....	D7/662
D489,942 S *	5/2004	Shane-Schuldt	.....	D7/653
D572,091 S *	7/2008	Holcomb	.....	D7/653
D578,357 S *	10/2008	Shane-Schuldt	.....	D7/653
D618,055 S *	6/2010	Richmond	.....	D7/401.2
D625,550 S *	10/2010	Holcomb	.....	D7/401.2
D647,362 S *	10/2011	Shane-Schuldt	.....	D7/401.2
D656,781 S *	4/2012	Holcomb	.....	D7/401.2
D657,190 S *	4/2012	Shane-Schuldt	.....	D7/401.2

\* cited by examiner

*Primary Examiner* — Ricky Pham

(74) *Attorney, Agent, or Firm* — Frost Brown Todd LLC

(57) **CLAIM**

The ornamental design for flatware, as shown and described.

**DESCRIPTION**

FIG. 1 is a top plan view of a new ornamental design for flatware embodied as a fork.

FIG. 2 is a bottom plan view thereof.

FIG. 3 is a side elevation view thereof, the opposite side being a mirror image.

FIG. 4 is an end view thereof, shown from the end of the handle.

FIG. 5 is an end view thereof, shown from the opposite end of that shown in FIG. 4.

FIG. 6 is a cross-sectional view taken along section line 6-6 of FIG. 1 to illustrate the peripheral shape of the article at the cross-section.

FIG. 7 is a cross-sectional view taken along section line 7-7 of FIG. 1 to illustrate the peripheral shape of the article at the cross-section.

FIG. 8 is a top plan view of a new ornamental design for flatware embodied as a spoon.

FIG. 9 is a bottom plan view thereof.

FIG. 10 is a side elevation view thereof, the opposite side being a mirror image.

FIG. 11 is an end view thereof, shown from the end of the handle.

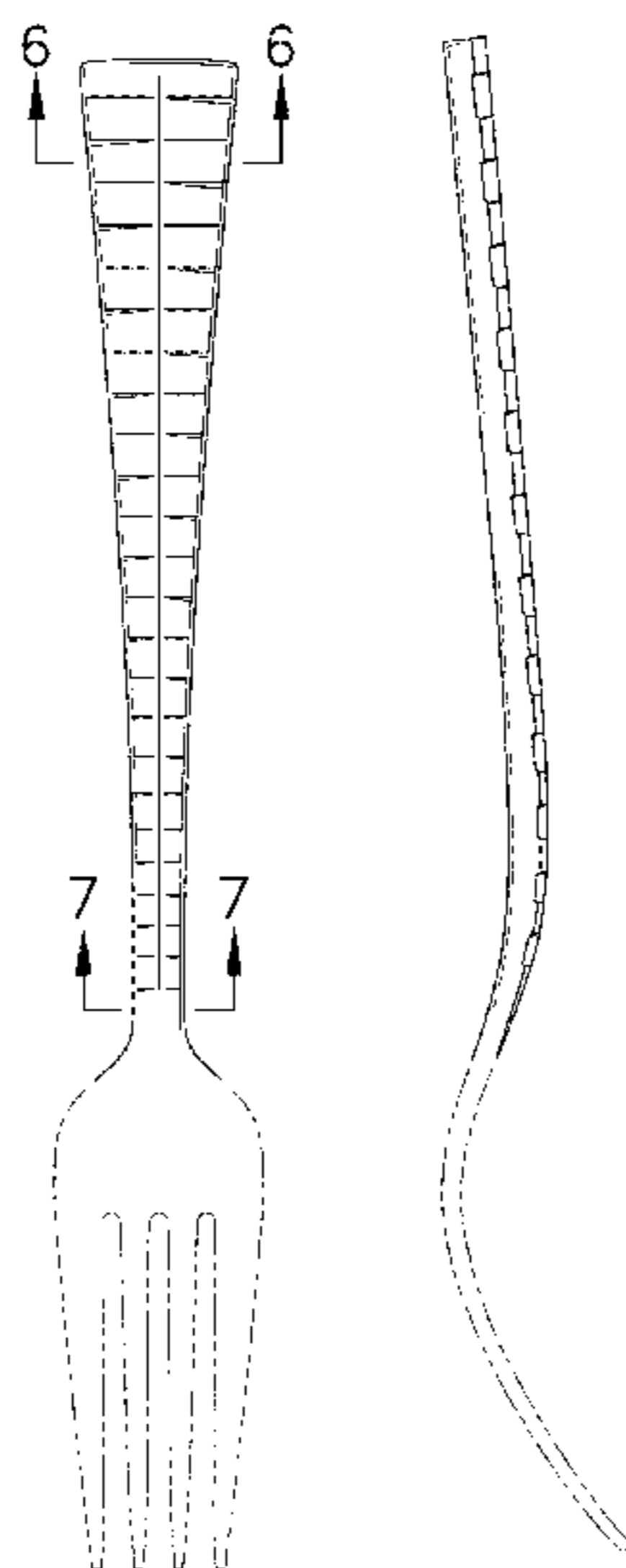
FIG. 12 is an end view thereof, shown from the opposite end of that shown in FIG. 11.

FIG. 13 is a cross-sectional view taken along section line 13-13 of FIG. 8 to illustrate the peripheral shape of the article at the cross-section; and,

FIG. 14 is a cross-sectional view taken along section line 14-14 of FIG. 8 to illustrate the peripheral shape of the article at the cross-section.

The broken lines in the drawings are included for purposes of illustrating portions of the article that form no part of the claimed design.

**1 Claim, 2 Drawing Sheets**



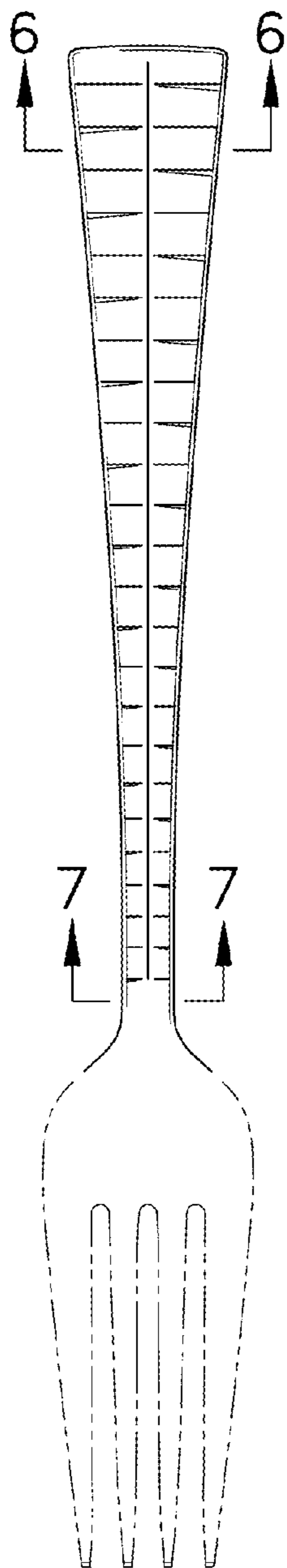


Fig. 1

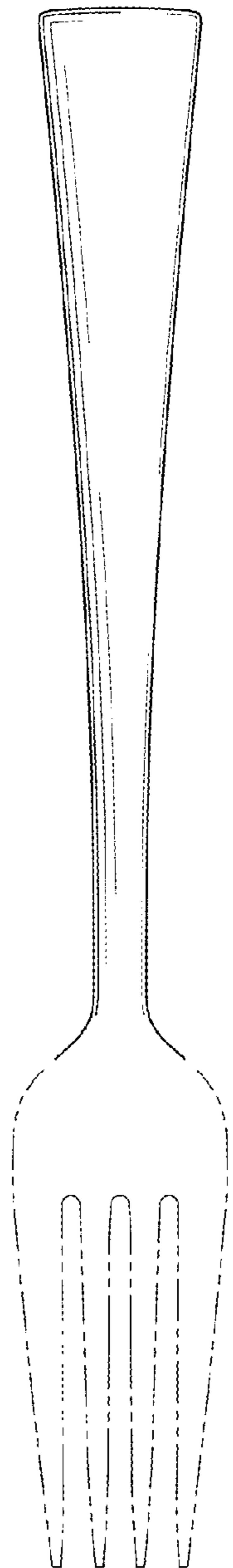


Fig. 2

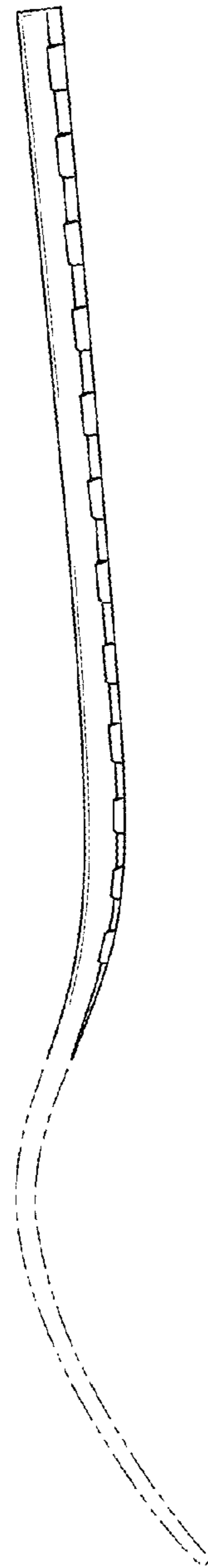


Fig. 3

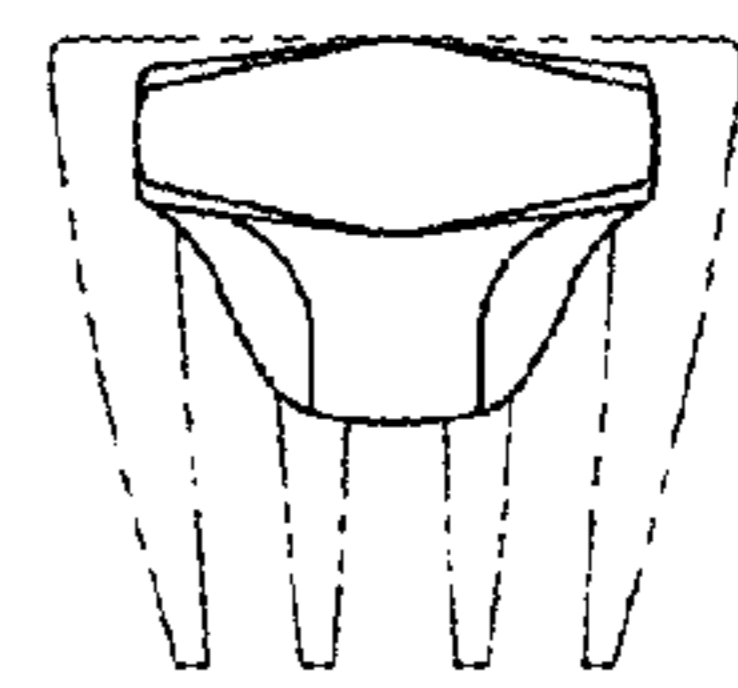


Fig. 4

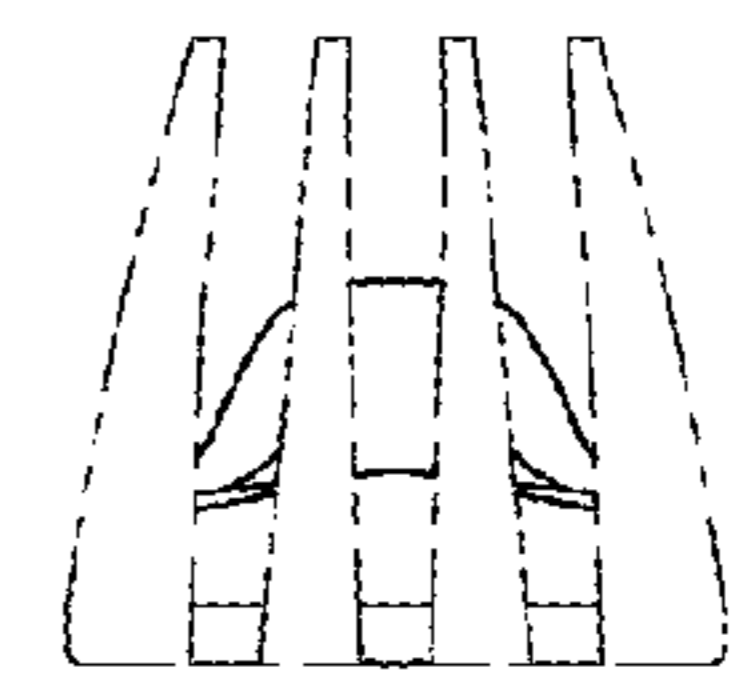


Fig. 5



Fig. 6



Fig. 7

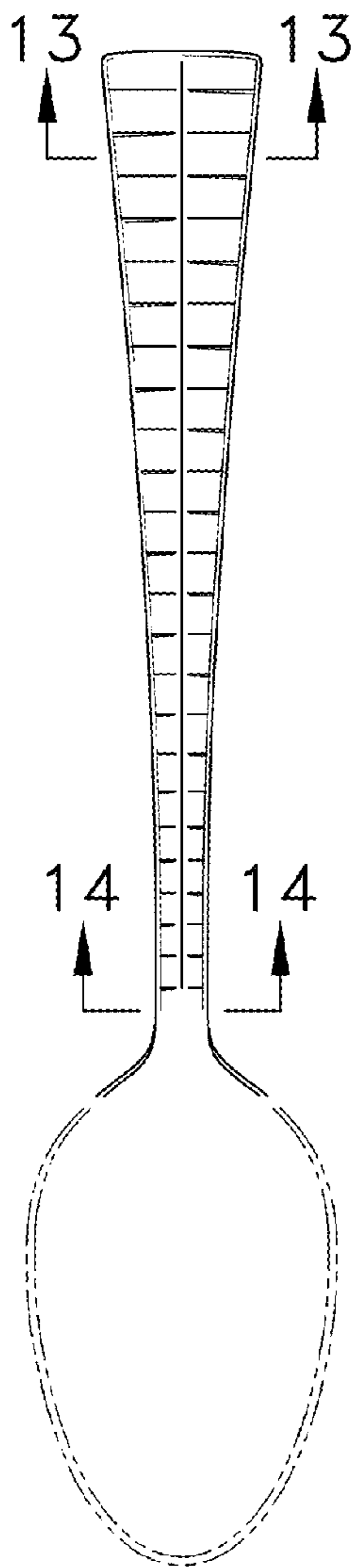


Fig.8

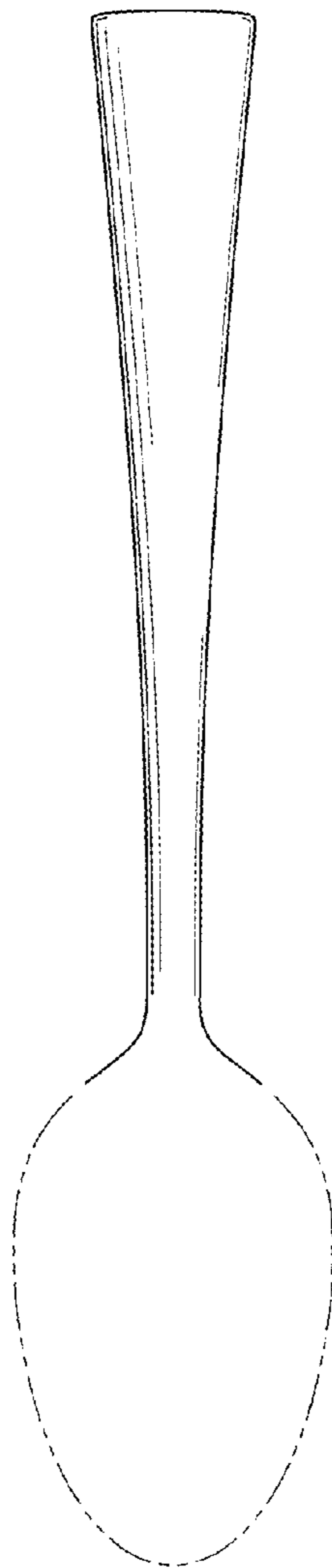


Fig.9

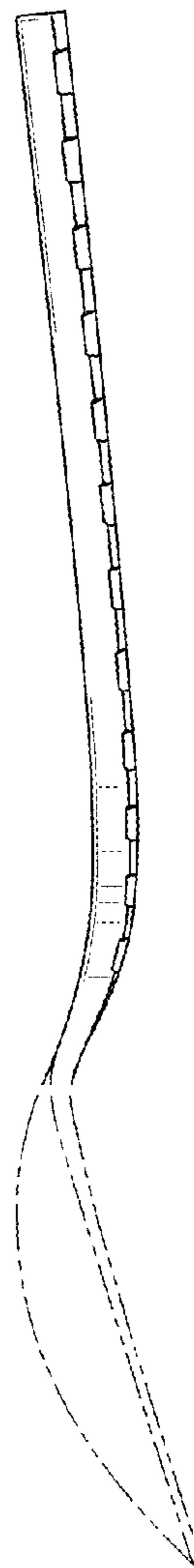


Fig.10

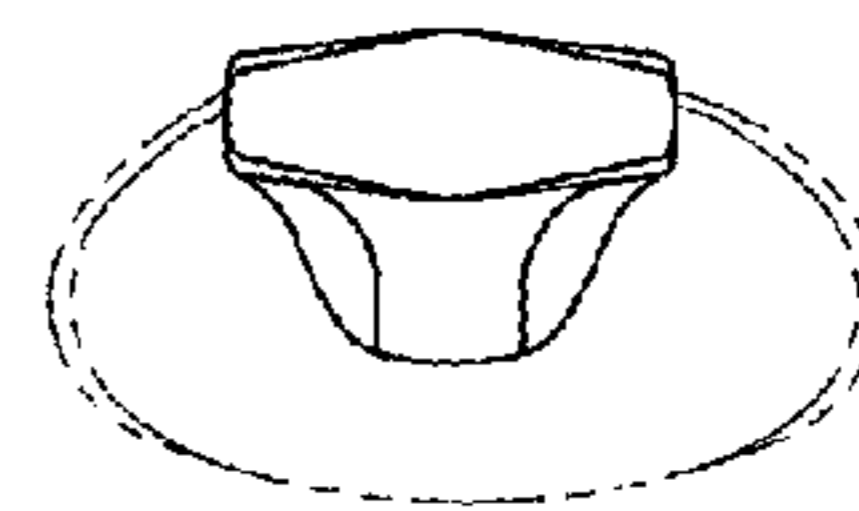


Fig.11

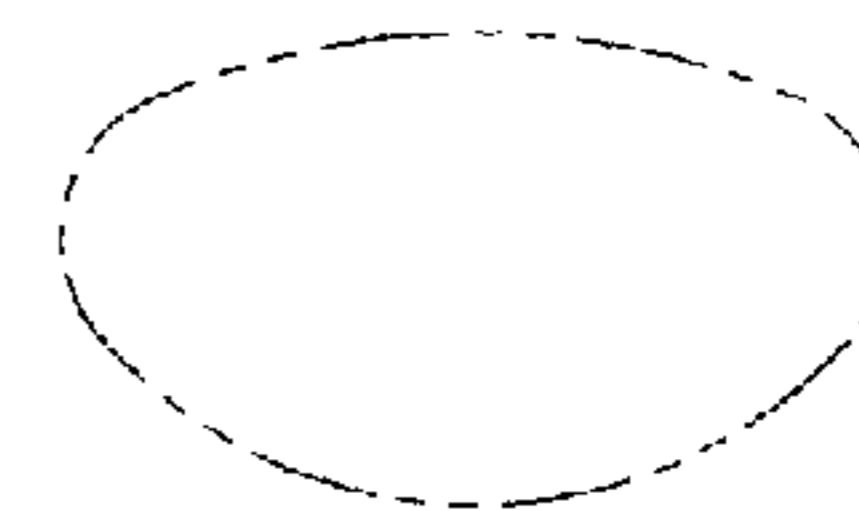


Fig.12



Fig.13



Fig.14