



US00D705600S

(12) **United States Design Patent**  
**Shane-Schuldt**

(10) **Patent No.:** **US D705,600 S**

(45) **Date of Patent:** **\*\* May 27, 2014**

(54) **FLATWARE**

(71) Applicant: **Oneida Ltd.**, Oneida, NY (US)

(72) Inventor: **Diane Shane-Schuldt**, Sherrill, NY (US)

(73) Assignee: **Oneida Ltd.**, Oneida, NY (US)

(\*\*) Term: **14 Years**

(21) Appl. No.: **29/451,029**

(22) Filed: **Mar. 27, 2013**

(51) **LOC (10) Cl.** ..... **07-03**

(52) **U.S. Cl.**

USPC ..... **D7/401.2**; D7/642; D7/653; D7/661

(58) **Field of Classification Search**

USPC ..... D7/368, 393-395, 401.2, 642-646,  
D7/649-654, 660-664, 669, 675-677, 683,  
D7/688-692, 695-696; 30/120.1, 137,  
30/141-143, 147-150, 322-327, 329, 340,  
30/342-344; 416/70 R, 75

See application file for complete search history.

(56) **References Cited**

**U.S. PATENT DOCUMENTS**

D2,212 S *	10/1865	Polhamus	.....	D7/662
D25,347 S *	4/1896	Wallace	.....	D7/653
D31,733 S *	10/1899	Wallace	.....	D7/653
D37,190 S *	10/1904	Codman	.....	D7/653
D37,563 S *	9/1905	Crowell, Jr.	.....	D7/662
D39,472 S *	9/1908	Straker, Jr.	.....	D7/653
D39,509 S *	9/1908	Habensack	.....	D7/653
D39,738 S *	1/1909	Dowse	.....	D7/653
D41,966 S *	12/1911	Ittig	.....	D7/653
D47,782 S *	9/1915	Crowell, Jr.	.....	D7/653
D72,877 S *	6/1927	Trumbull	.....	D7/653
D72,999 S *	7/1927	Kirk	.....	D7/653
D96,074 S *	6/1935	Woodward	.....	D7/653

(Continued)

*Primary Examiner* — Ricky Pham

(74) *Attorney, Agent, or Firm* — Frost Brown Todd LLC

(57) **CLAIM**

The ornamental design for flatware, as shown and described.

**DESCRIPTION**

FIG. 1 is a top plan view of a new ornamental design for flatware embodied as a fork.

FIG. 2 is a bottom plan view thereof.

FIG. 3 is a side elevation view thereof, the opposite side being a mirror image.

FIG. 4 is an end view thereof, shown from the end of the handle.

FIG. 5 is an end view thereof, shown from the opposite end of that shown in FIG. 4.

FIG. 6 is a cross-sectional view taken along section line 6-6 of FIG. 1 to illustrate the peripheral shape of the article at the cross-section.

FIG. 7 is a cross-sectional view taken along section line 7-7 of FIG. 1 to illustrate the peripheral shape of the article at the cross-section.

FIG. 8 is a top plan view of a new ornamental design for flatware embodied as a spoon.

FIG. 9 is a bottom plan view thereof.

FIG. 10 is a side elevation view thereof, the opposite side being a mirror image.

FIG. 11 is an end view thereof, shown from the end of the handle.

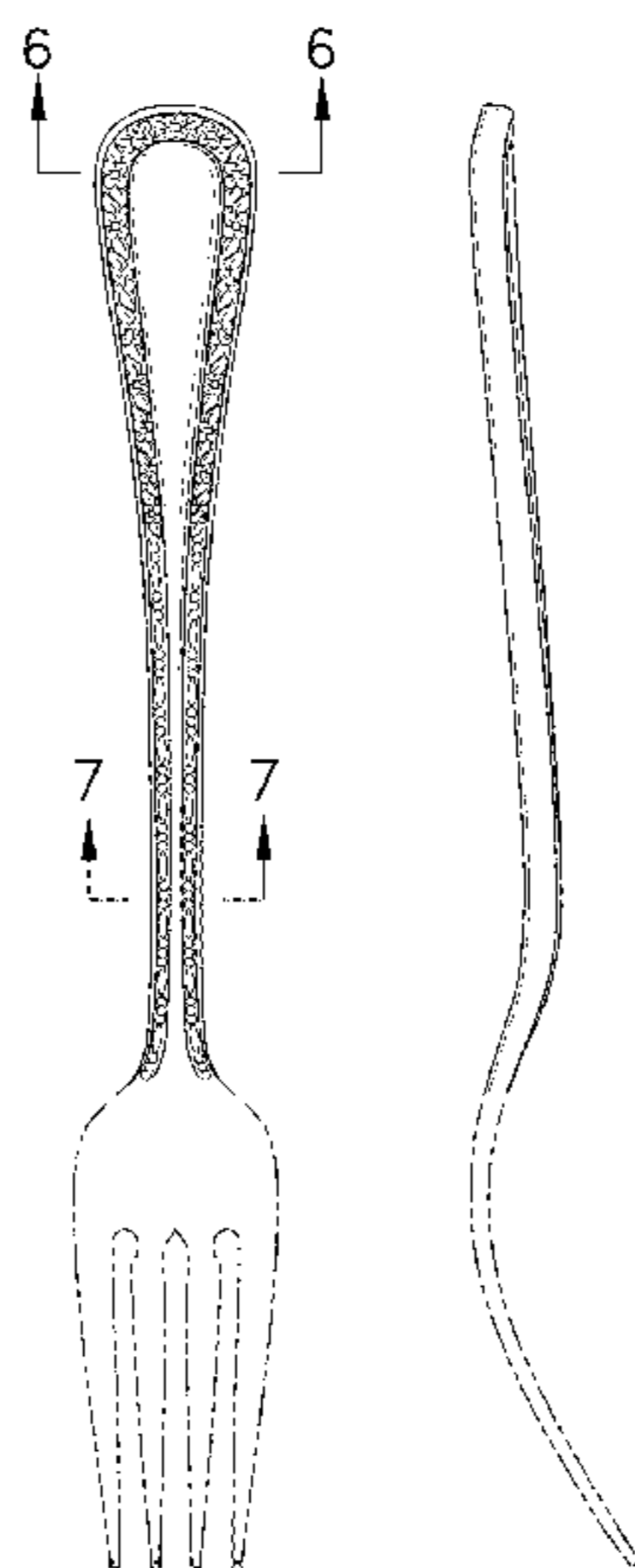
FIG. 12 is an end view thereof, shown from the opposite end of that shown in FIG. 11.

FIG. 13 is a cross-sectional view taken along section line 13-13 of FIG. 8 to illustrate the peripheral shape of the article at the cross-section; and,

FIG. 14 is a cross-sectional view taken along section line 14-14 of FIG. 8 to illustrate the peripheral shape of the article at the cross-section.

The broken lines in the drawings are included for purposes of illustrating portions of the article that form no part of the claimed design.

**1 Claim, 2 Drawing Sheets**



(56)

**References Cited**

U.S. PATENT DOCUMENTS

D128,304 S \* 7/1941 Nock ..... D7/653  
D252,606 S \* 8/1979 Seibel ..... D7/653  
D302,640 S \* 8/1989 Toffolon ..... D7/661  
D484,368 S \* 12/2003 Ito ..... D7/653  
D489,944 S \* 5/2004 Shane-Schuldt ..... D7/653

D489,946 S \* 5/2004 Shane-Schuldt ..... D7/653  
D490,282 S \* 5/2004 Shane-Schuldt ..... D7/653  
D491,770 S \* 6/2004 Strange ..... D7/653  
D551,913 S \* 10/2007 Kasper ..... D7/653  
D577,263 S \* 9/2008 Shane-Schuldt ..... D7/653  
D593,377 S \* 6/2009 Ito ..... D7/653  
D593,381 S \* 6/2009 Richmond ..... D7/653  
D618,054 S \* 6/2010 Richmond ..... D7/401.2

\* cited by examiner

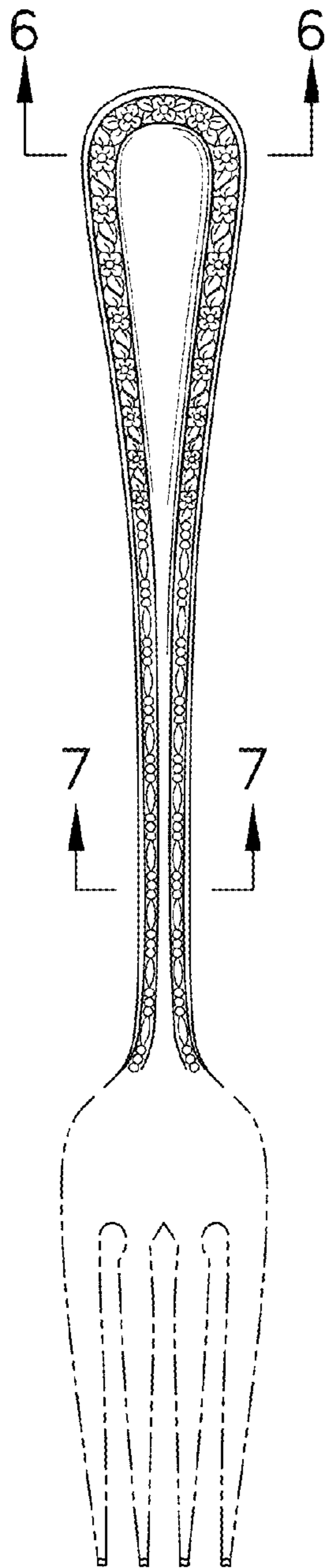


Fig. 1

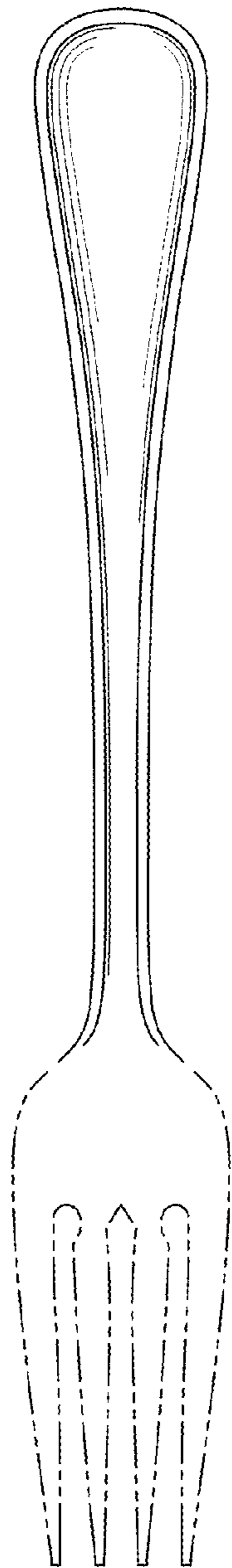


Fig. 2

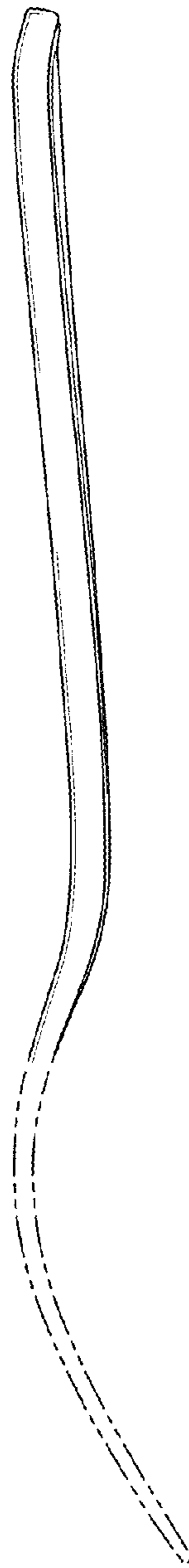


Fig. 3

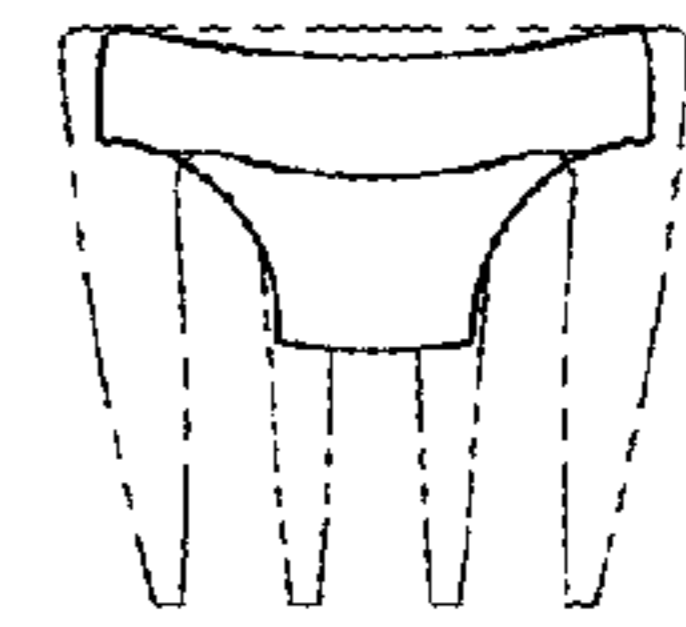


Fig. 4

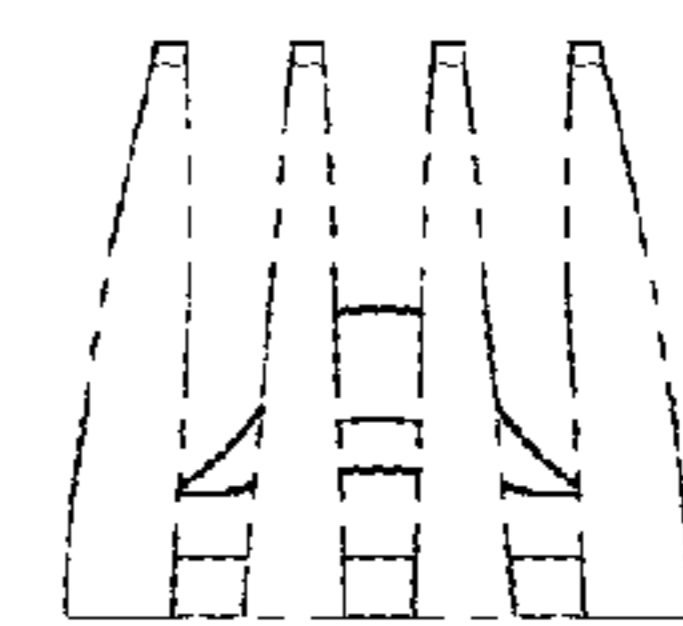


Fig. 5

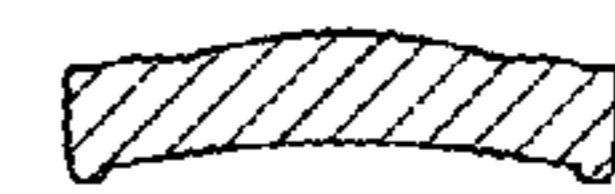


Fig. 6



Fig. 7

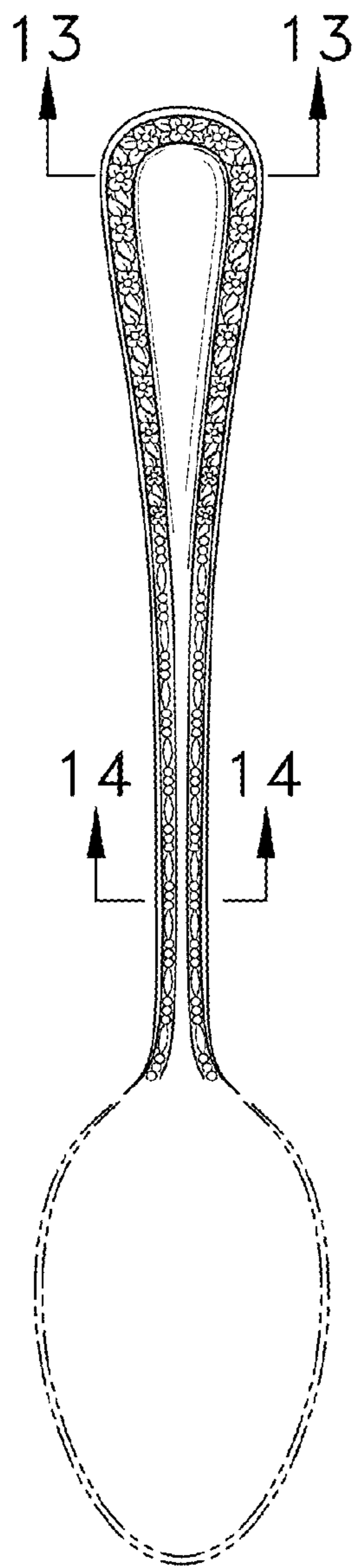


Fig. 8

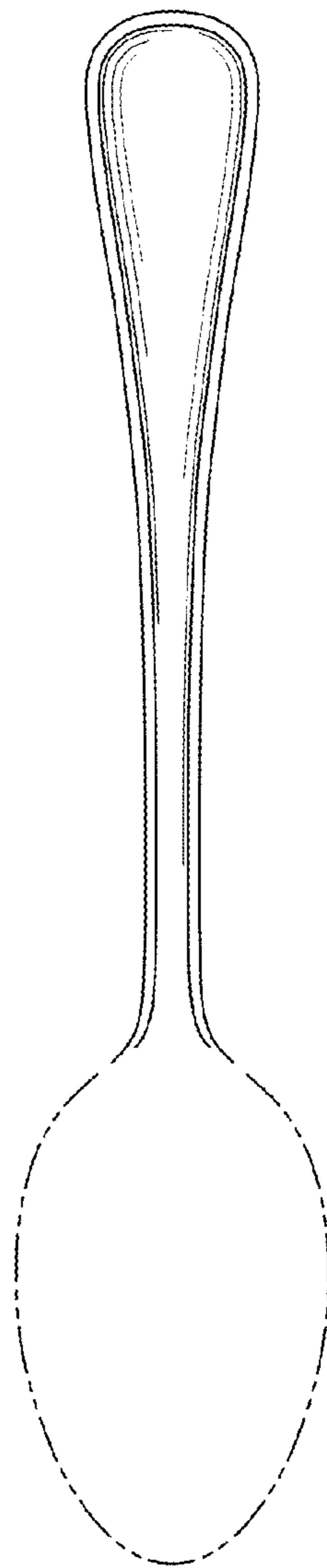


Fig. 9

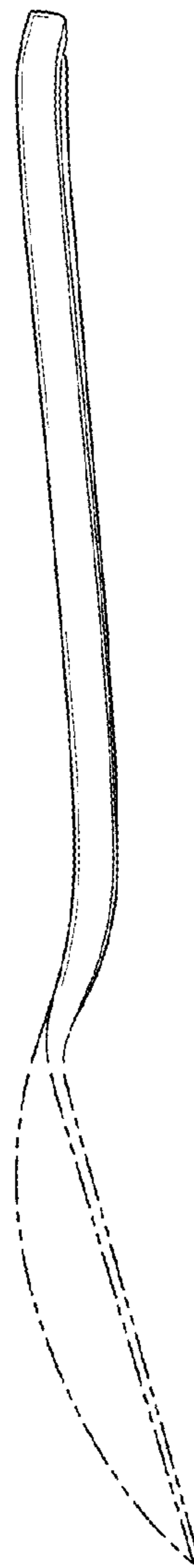


Fig. 10

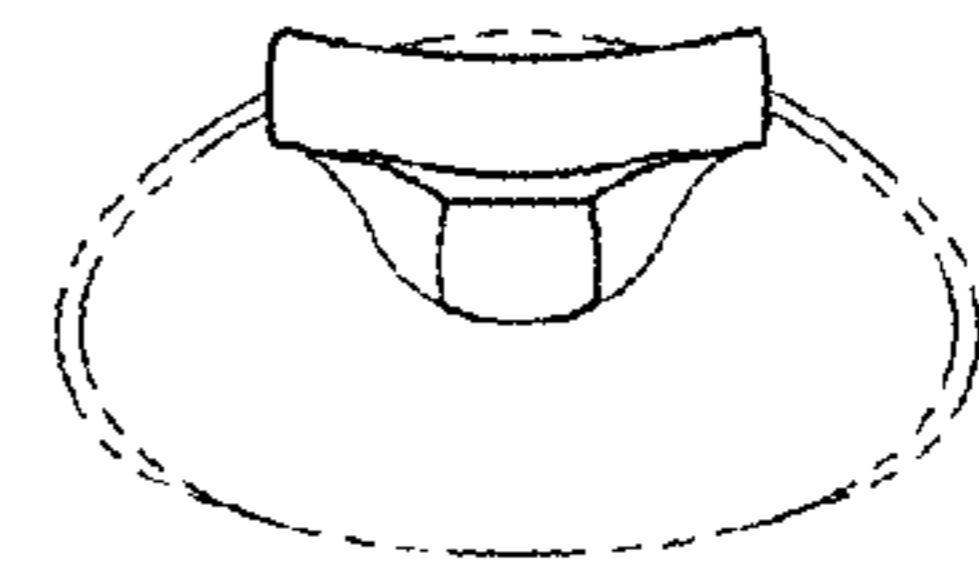


Fig. 11

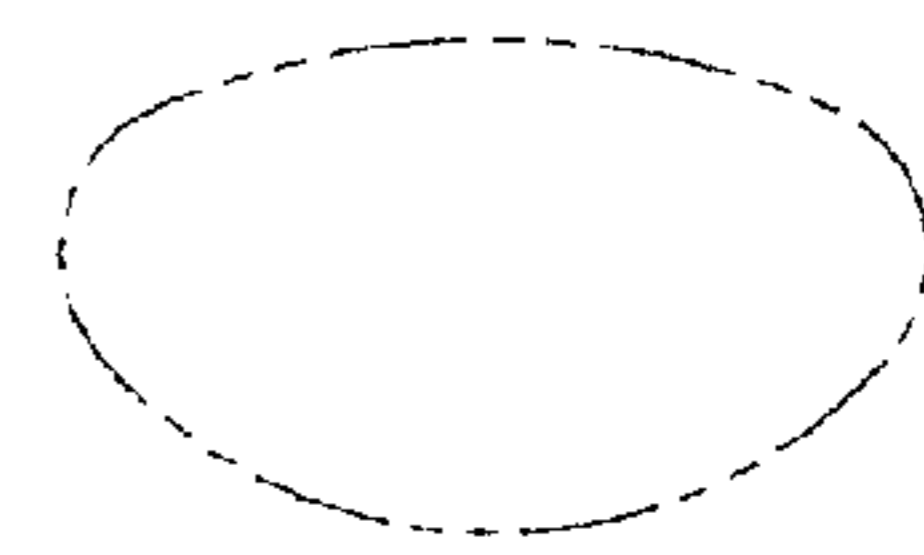


Fig. 12



Fig. 13



Fig. 14