



US00D705599S

(12) **United States Design Patent**
Shane-Schuldt

(10) **Patent No.:** **US D705,599 S**

(45) **Date of Patent:** **** May 27, 2014**

(54) **FLATWARE**

(71) Applicant: **Oneida Ltd.**, Oneida, NY (US)

(72) Inventor: **Diane Shane-Schuldt**, Sherrill, NY (US)

(73) Assignee: **Oneida Ltd.**, Oneida, NY (US)

(**) Term: **14 Years**

(21) Appl. No.: **29/451,007**

(22) Filed: **Mar. 27, 2013**

(51) **LOC (10) Cl.** **07-03**

(52) **U.S. Cl.**
USPC **D7/401.2; D7/642; D7/649; D7/653;**
D7/661

(58) **Field of Classification Search**

USPC **D7/368, 393-395, 401.2, 642-646,**
D7/649-654, 660-664, 669, 675-677, 683,
D7/688-692, 695-696; 30/120.1, 137,
30/141-143, 147-150, 322-327, 329, 340,
30/342-344; 416/70 R, 75

See application file for complete search history.

(56) **References Cited**

U.S. PATENT DOCUMENTS

D24,495 S *	7/1895	Cole	D7/661
D36,900 S *	5/1904	Straker, Jr.	D7/661
D37,023 S *	7/1904	Edwards	D7/661
D37,267 S *	12/1904	Hillbom	D7/653
D39,341 S *	6/1908	Olulee	D7/661
D107,018 S *	11/1937	Kintz	D7/661
D131,670 S *	3/1942	Nock	D7/661
D137,377 S *	2/1944	Malinowski	D7/651
D153,964 S *	5/1949	McAlpine	D7/661
D163,436 S *	5/1951	Allen et al.	D7/661
D170,056 S *	7/1953	Helander	D7/661
D170,334 S *	9/1953	Noyes	D7/649
D173,184 S *	10/1954	Bowlen	D7/661
D185,480 S *	6/1959	Young	D7/660
D196,605 S *	10/1963	Toffolon	D7/660

D202,653 S *	10/1965	Perry	D7/661
D203,476 S *	1/1966	Manderfield	D7/661
D226,982 S *	5/1973	Manderfield	D7/661
D236,068 S *	7/1975	Lea	D7/661
D240,099 S *	6/1976	Lea	D7/661
D243,998 S *	4/1977	Zephries	D7/661
D245,388 S *	8/1977	Richmond, II	D7/661
D249,450 S *	9/1978	Guodace	D7/645
D252,375 S *	7/1979	Manderfield	D7/661
D253,334 S *	11/1979	King	D7/649

(Continued)

Primary Examiner — Ricky Pham

(74) *Attorney, Agent, or Firm* — Frost Brown Todd LLC

(57) **CLAIM**

The ornamental design for flatware, as shown and described.

DESCRIPTION

FIG. 1 is a top plan view of a new ornamental design for flatware embodied as a knife, the opposite bottom plan view being a mirror image.

FIG. 2 is a side elevation view thereof, the opposite side elevation view being an identical image.

FIG. 3 is an end view thereof, shown from the end of the handle.

FIG. 4 is an end view thereof, shown from the opposite end of that shown in FIG. 3.

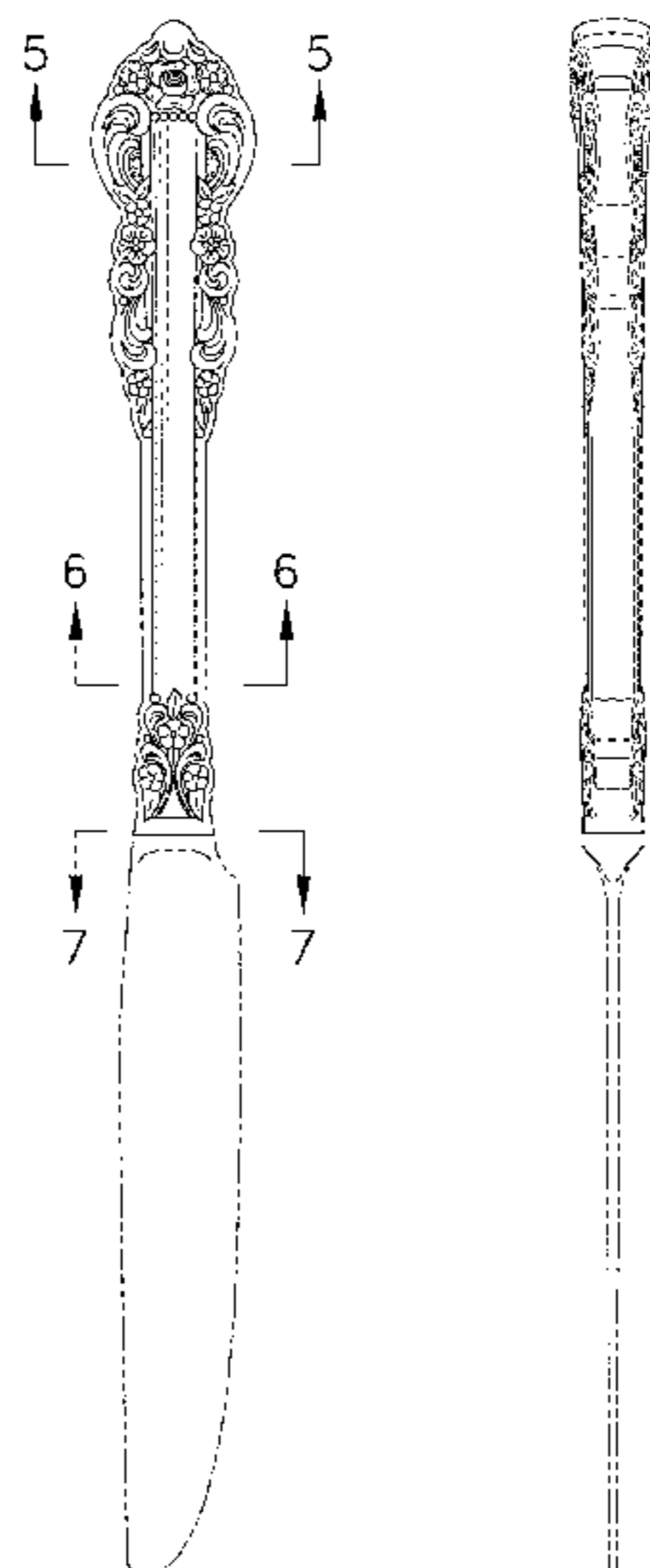
FIG. 5 is a cross-sectional view taken along section line 5-5 of FIG. 1 to illustrate the peripheral shape of the article at the cross-section.

FIG. 6 is a cross-sectional view taken along section line 6-6 of FIG. 1 to illustrate the peripheral shape of the article at the cross-section; and,

FIG. 7 is a cross-sectional view taken along section line 7-7 of FIG. 1 to illustrate the peripheral shape of the article at the cross-section.

The broken lines in the drawings are included for purposes of illustrating portions of the article that form no part of the claimed design.

1 Claim, 1 Drawing Sheet



(56)

References Cited

U.S. PATENT DOCUMENTS

D254,469 S * 3/1980 Manderfield D7/661
D254,531 S * 3/1980 Richmond, II D7/661
D257,610 S * 12/1980 Knope D7/651
D257,658 S * 12/1980 Knope D7/660
D260,349 S * 8/1981 Lofgren D7/649
D262,508 S * 1/1982 Richmond, II D7/661

D263,195 S * 3/1982 Manderfield D7/661
D270,888 S * 10/1983 Cassini D7/661
D271,460 S * 11/1983 Cassini D7/653
D297,095 S * 8/1988 Richmond, II D7/661
D297,096 S * 8/1988 Richmond, II D7/661
D297,097 S * 8/1988 Richmond, II D7/651
D303,200 S * 9/1989 Toffolon D7/661
D684,018 S * 6/2013 Lin D7/645

* cited by examiner

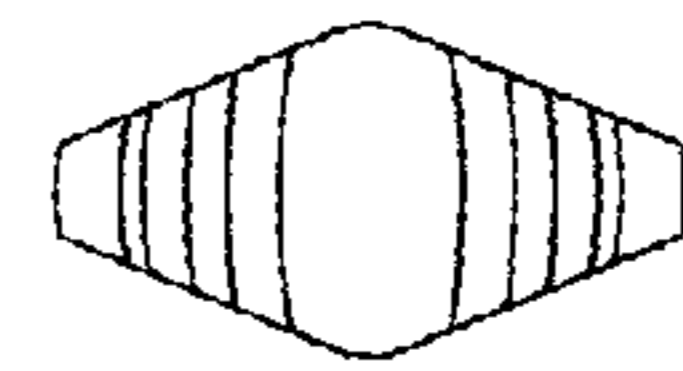
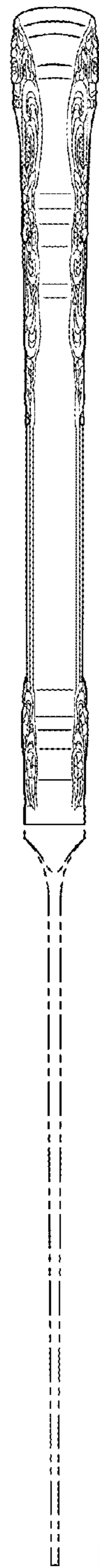
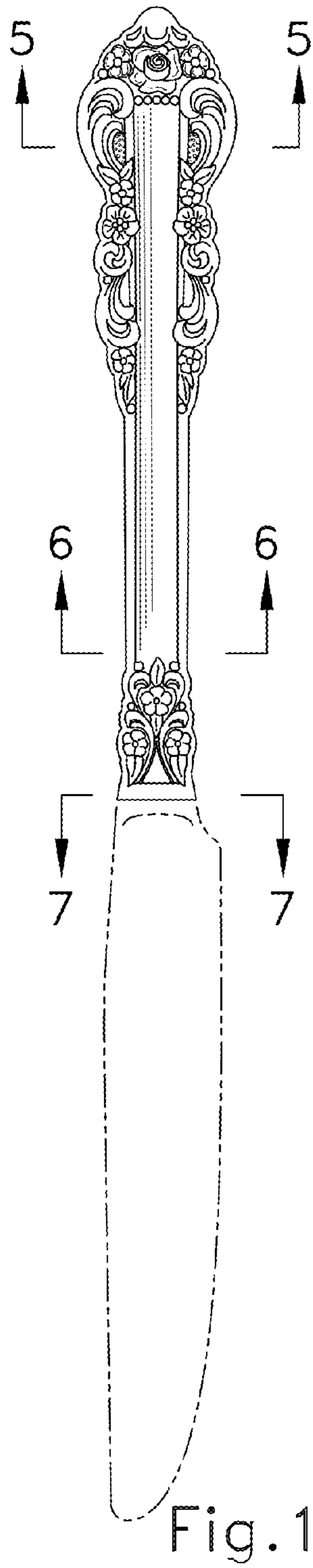


Fig. 3

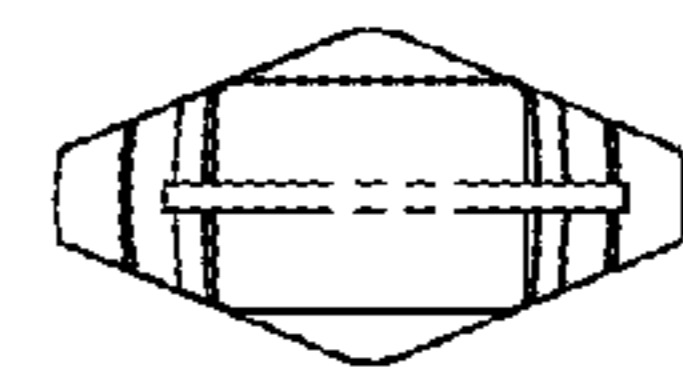


Fig. 4



Fig. 5



Fig. 6



Fig. 7

Fig. 2