



US00D705597S

(12) **United States Design Patent**
Howie

(10) **Patent No.:** **US D705,597 S**

(45) **Date of Patent:** **** May 27, 2014**

(54) **COOKWARE HANDLE**

(71) Applicant: **Steven Howie**, Commerce, CA (US)

(72) Inventor: **Steven Howie**, Commerce, CA (US)

(73) Assignee: **Gibson Overseas Inc**, Commerce, CA (US)

(**) Term: **14 Years**

(21) Appl. No.: **29/453,212**

(22) Filed: **Apr. 26, 2013**

(51) **LOC (10) Cl.** **07-02**

(52) **U.S. Cl.**
USPC **D7/395**

(58) **Field of Classification Search**
USPC D7/354-361, 393-395, 401.2, 664;
D8/107, 300, 303, 307, 313, 321;
D4/138, 129; 16/421, 430, 431, 110.1,
16/407; 220/573.1-573.5, 752, 753, 755,
220/756, 759, 767, 771, 912

See application file for complete search history.

(56) **References Cited**

U.S. PATENT DOCUMENTS

D596,896 S *	7/2009	Munari	D7/395
D654,307 S *	2/2012	Loaiza	D7/395
D682,024 S *	5/2013	Rae	D7/395
D682,025 S *	5/2013	Rae	D7/395

* cited by examiner

Primary Examiner — Cynthia M Chin

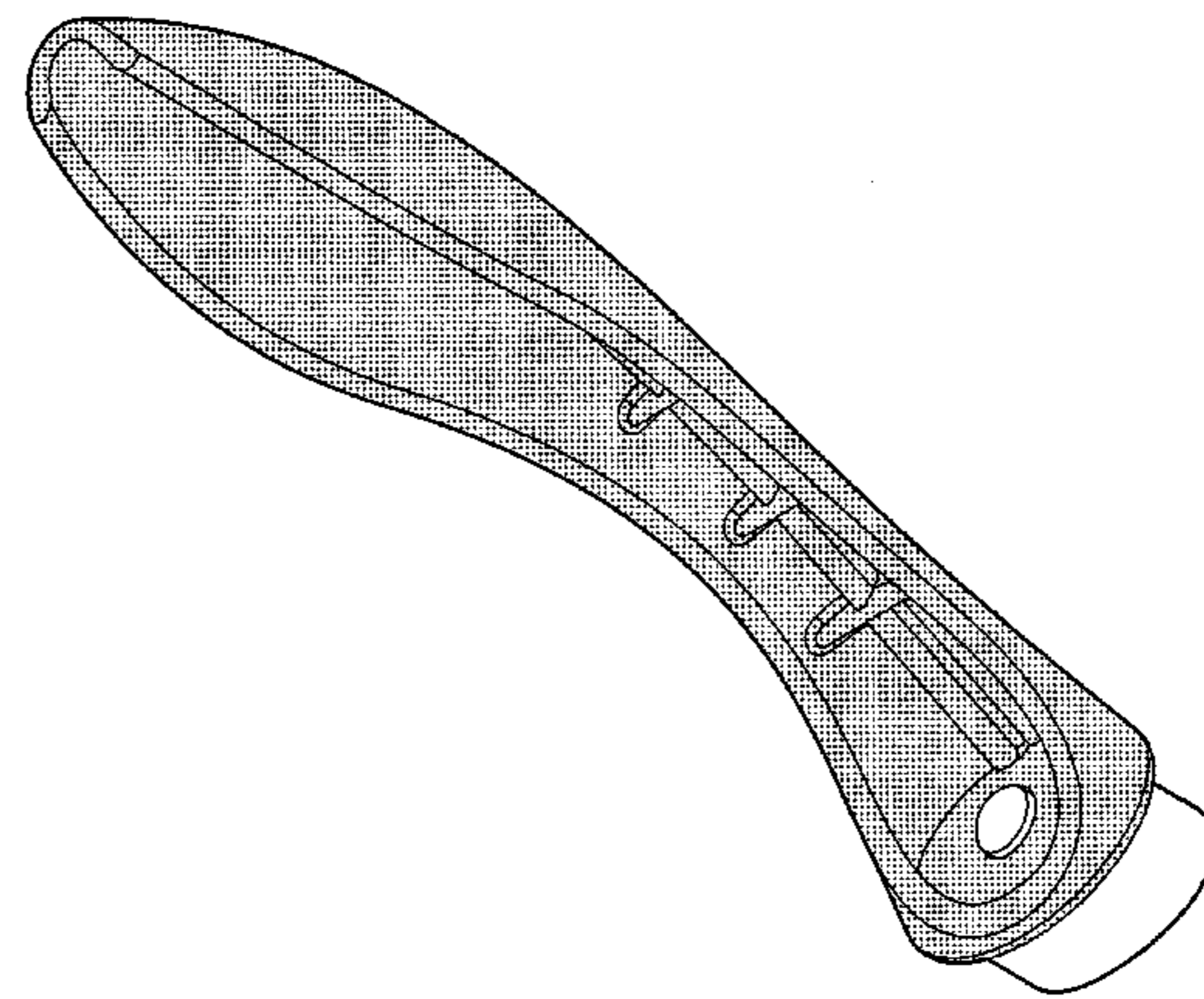
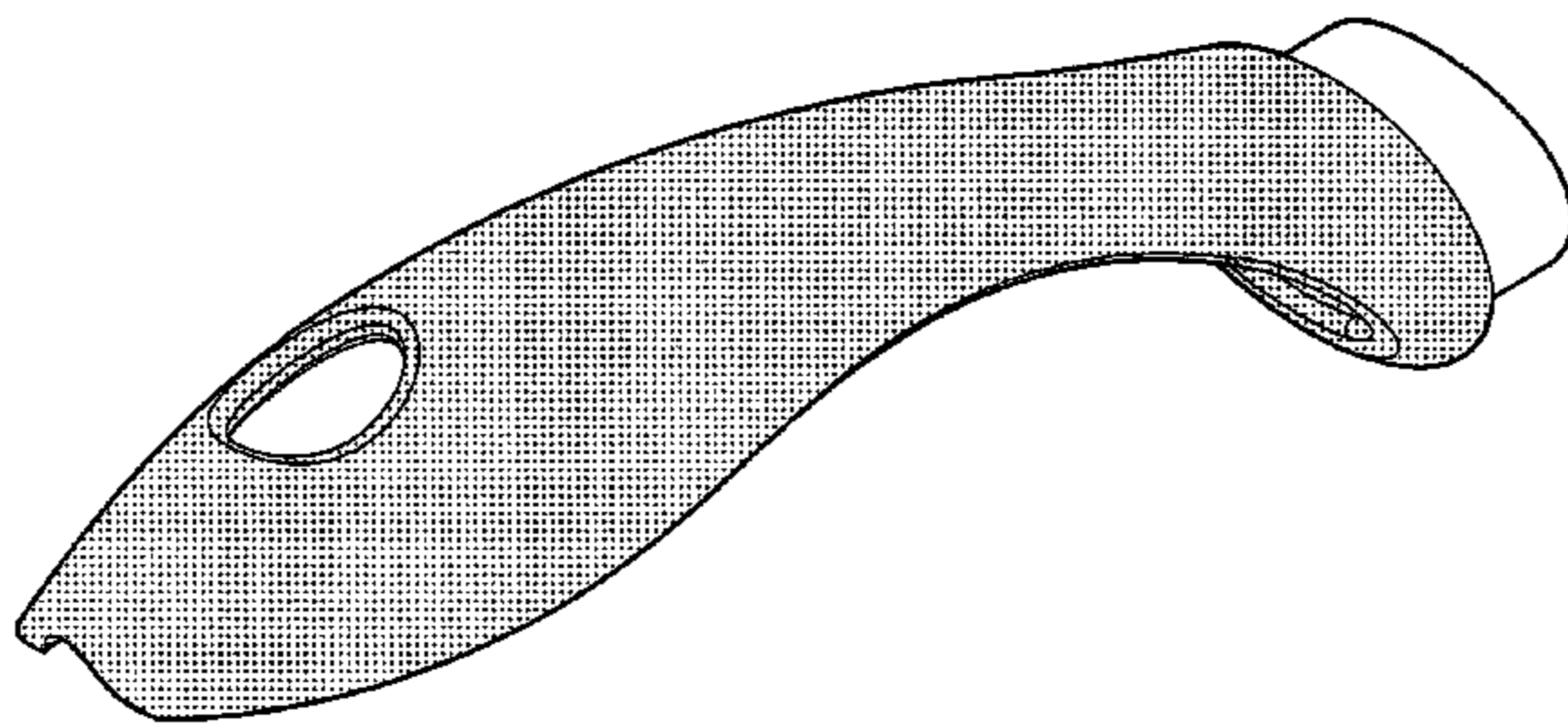
(57) **CLAIM**

The ornamental design for a cookware handle, as shown and described.

DESCRIPTION

FIG. 1 is an oblique perspective view of the extending cookware handle
FIG. 2 is an elevation view of the cookware handle of FIG. 1, the opposite side view being a mirror image thereof.
FIG. 3 is the top plan view of the cookware handle of FIG. 1.
FIG. 4 is a cross sectional view taken along the line 4-4 in FIG. 2, the opposite side view being a mirror image thereof.
FIG. 5 is the bottom plan view of the cookware handle of FIG. 1; and,
FIG. 6 is a bottom perspective view of the cookware handle of FIG. 1.

1 Claim, 5 Drawing Sheets



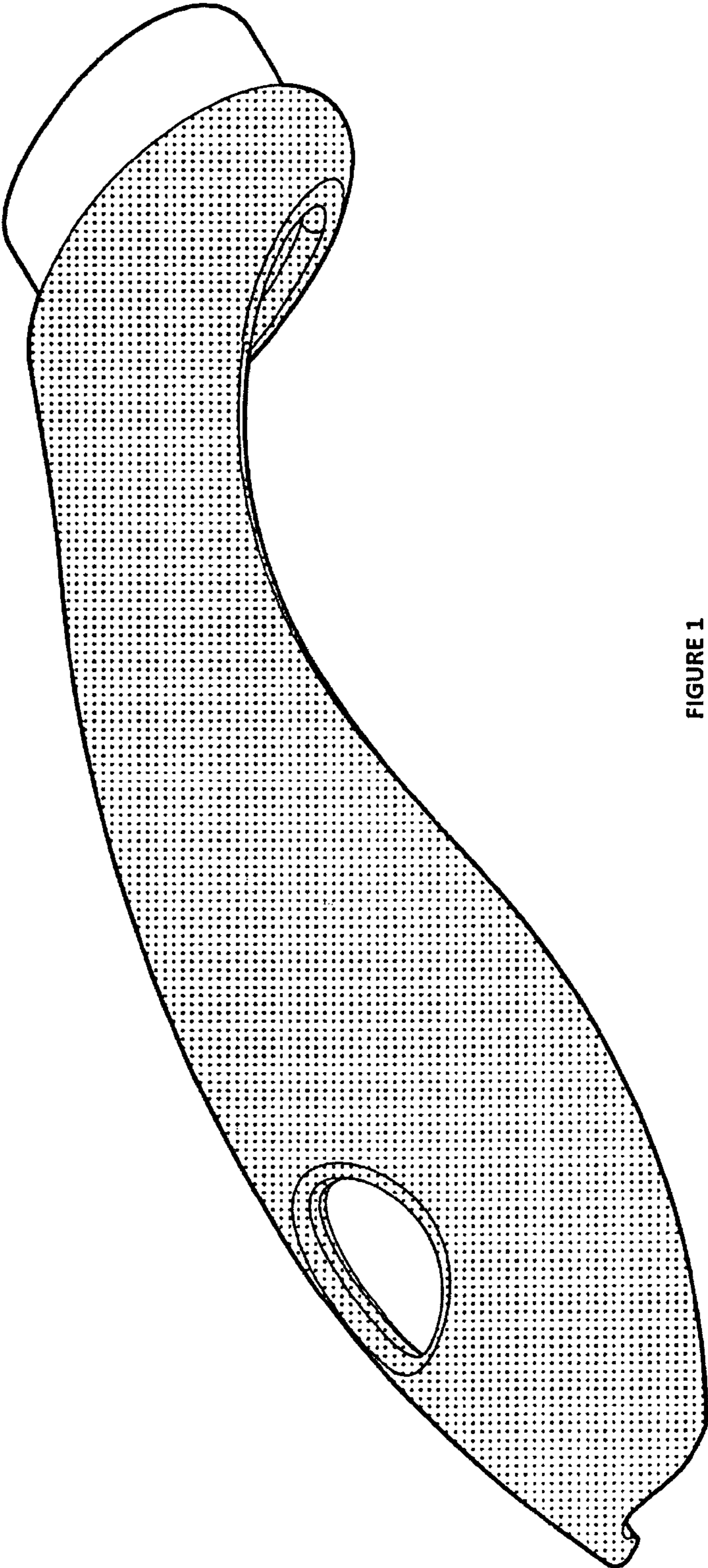


FIGURE 1

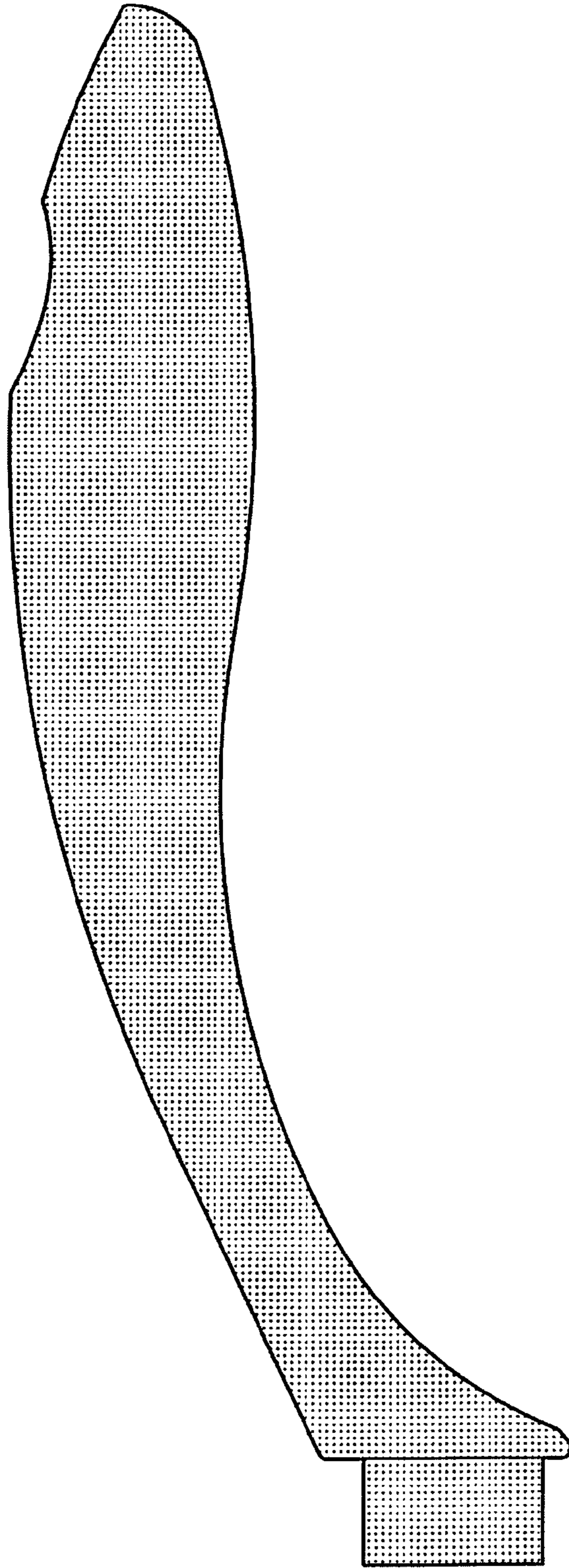


FIGURE 2

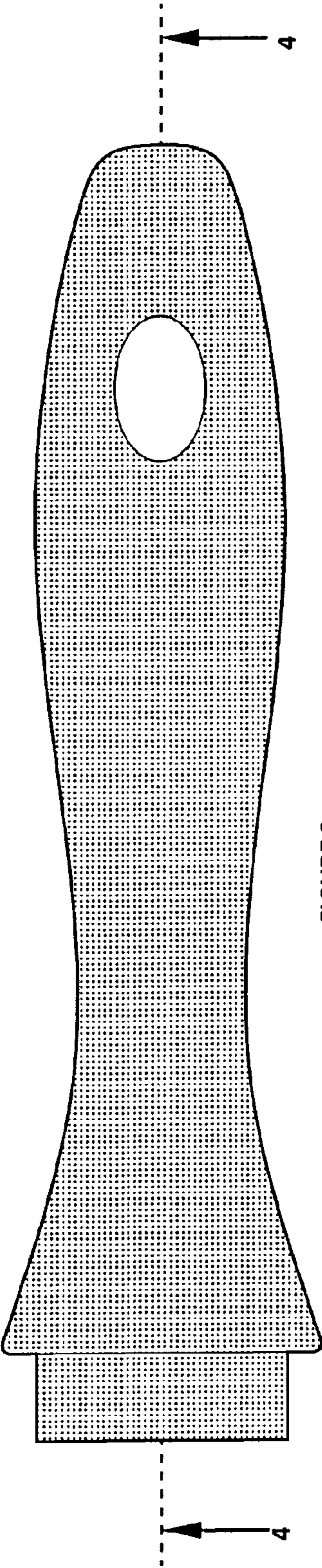


FIGURE 3

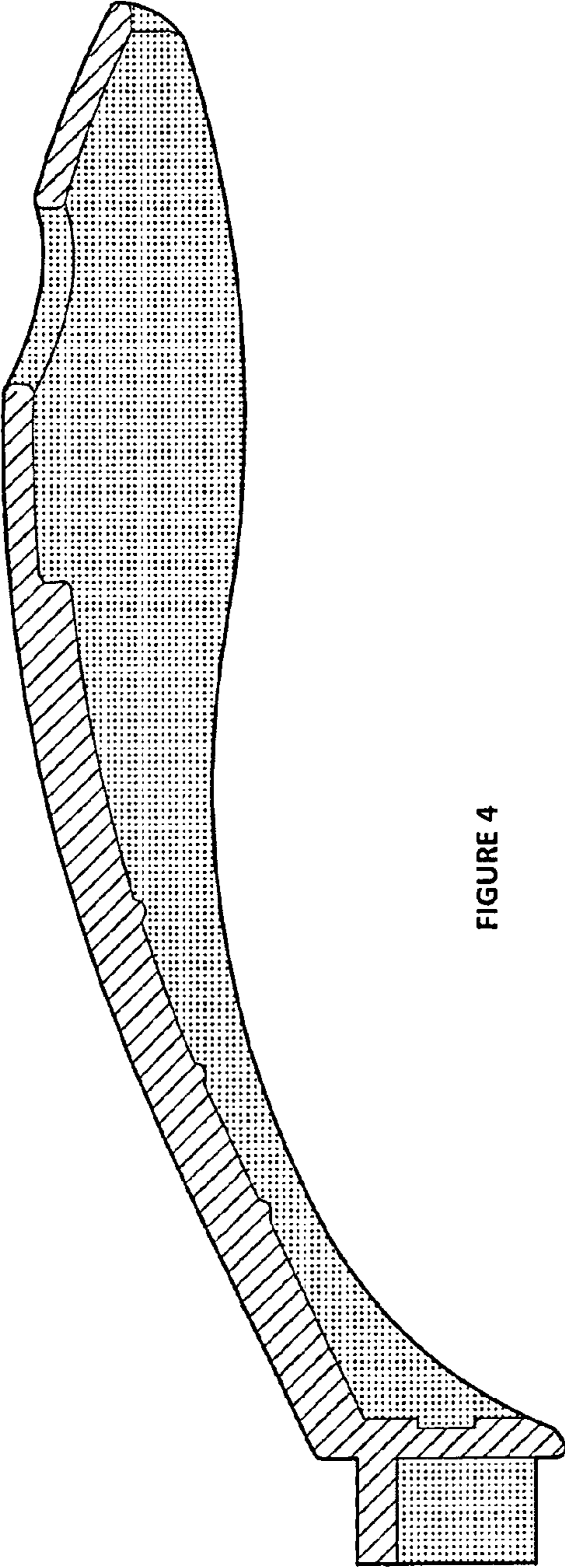


FIGURE 4

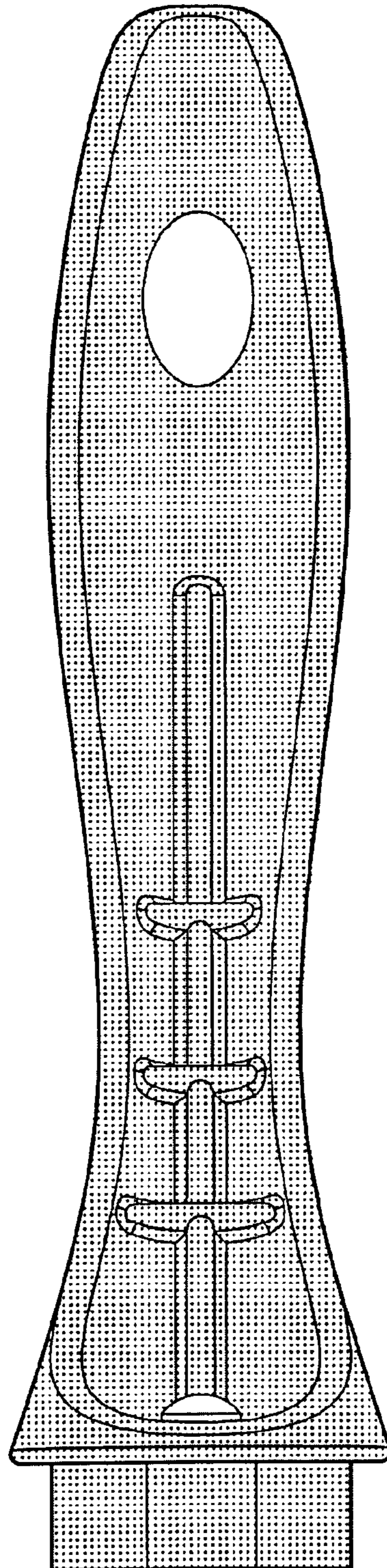


FIGURE 5

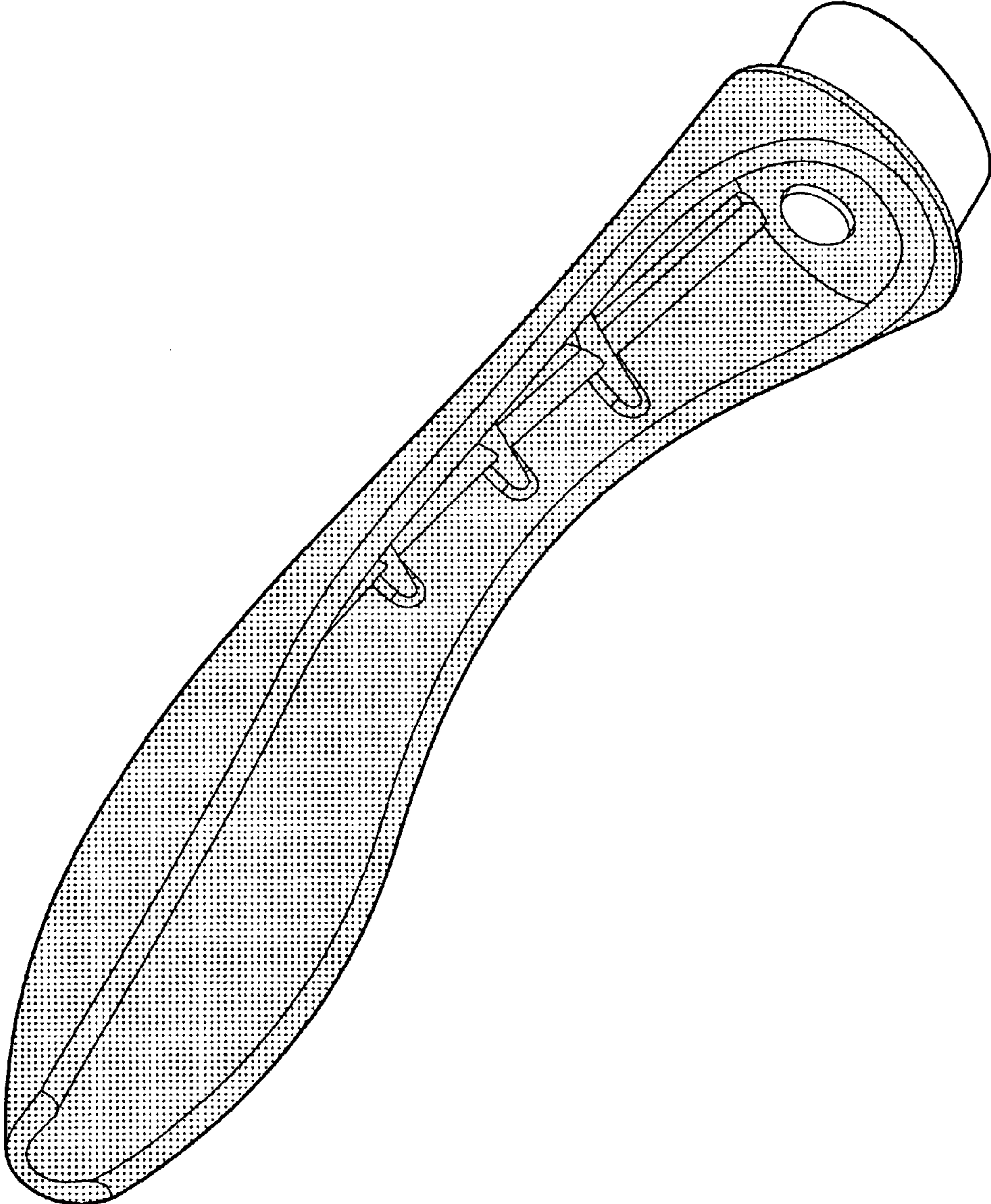


FIGURE 6