



US00D705593S

(12) **United States Design Patent**
Stamper et al.

(10) **Patent No.:** **US D705,593 S**

(45) **Date of Patent:** **** May 27, 2014**

(54) **CONTAINER LID**

(71) Applicants: **Leonard Stamper**, Anaheim, CA (US);
Brian Sykes, Mission Viejo, CA (US)

(72) Inventors: **Leonard Stamper**, Anaheim, CA (US);
Brian Sykes, Mission Viejo, CA (US)

(73) Assignee: **Shye Worldwide LLC**, Lake Forest, CA (US)

(**) Term: **14 Years**

(21) Appl. No.: **29/448,400**

(22) Filed: **Mar. 12, 2013**

(51) **LOC (10) Cl.** **09-07**

(52) **U.S. Cl.**
USPC **D7/392.1**

(58) **Field of Classification Search**
USPC D7/392.1, 391, 392; 455/575; D9/449,
D9/447, 443, 451, 761, 561, 552, 452, 746,
D9/394; 220/212, 713; 215/387, 388, 11.1,
215/41

See application file for complete search history.

(56) **References Cited**

U.S. PATENT DOCUMENTS

- D282,616 S * 2/1986 Gallagher et al. D7/392.1
- D339,958 S * 10/1993 Olsen et al. D7/392.1
- D417,584 S * 12/1999 Lillelund et al. D7/392.1
- D445,687 S * 7/2001 Gilbertson D9/454

- D475,573 S * 6/2003 Jalet et al. D7/392.1
- D478,469 S * 8/2003 Roth et al. D7/392.1
- D495,600 S * 9/2004 Kouri D9/435
- D506,106 S * 6/2005 Ordiway et al. D7/629
- D519,374 S * 4/2006 Hornke D9/454
- D560,120 S * 1/2008 Maravich et al. D9/454
- D574,238 S * 8/2008 Walker et al. D9/452
- D612,196 S * 3/2010 Furlong D7/392.1
- D641,209 S * 7/2011 Ablo D7/392.1
- D653,913 S * 2/2012 Stamper
- D677,159 S * 3/2013 Sina D9/451
- 2008/0257850 A1* 10/2008 O'Keefe-Broadbent 215/230

* cited by examiner

Primary Examiner — Deanna L Pratt

Assistant Examiner — Kendra L Hamilton

(74) *Attorney, Agent, or Firm* — Charles Lee Thomason

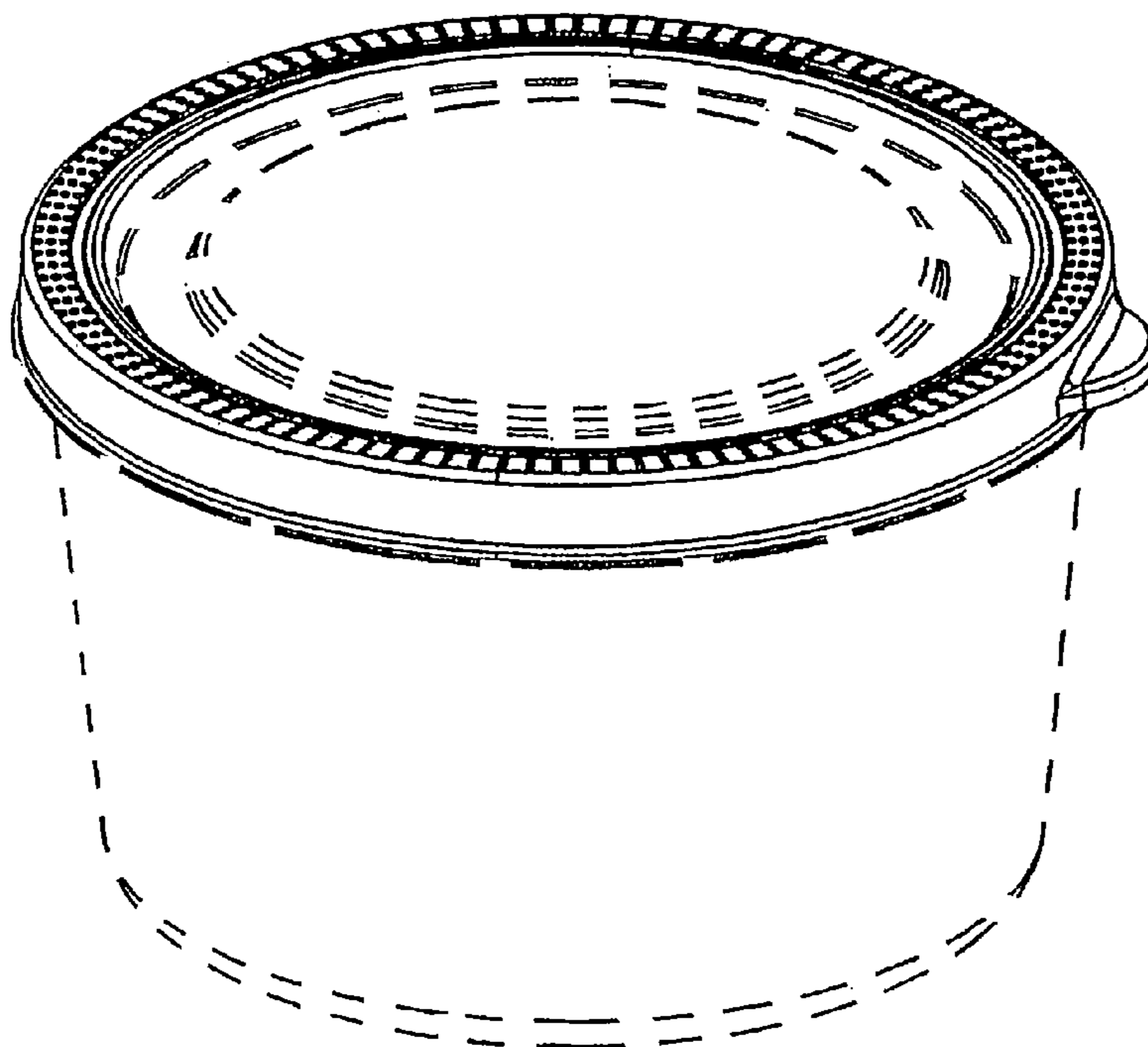
(57) **CLAIM**

The ornamental design for a container lid, as shown and described.

DESCRIPTION

FIG. 1 is a Top view of the container lid, within which are dashed lines indicating the environment of a container lid, and those dashed lines form no part of the claimed design; and, FIG. 2 is a perspective view of the container lid, depicted in its environment atop a storage container lined in dash-dash. The claimed design is the lid with the trim atop and around its circular rim. Dashed lined areas on the lid indicate a typical central portion of a container lid. Dashed lined areas below the lid indicate a typical container. The dashed lined areas form no part of the claimed design.

1 Claim, 2 Drawing Sheets



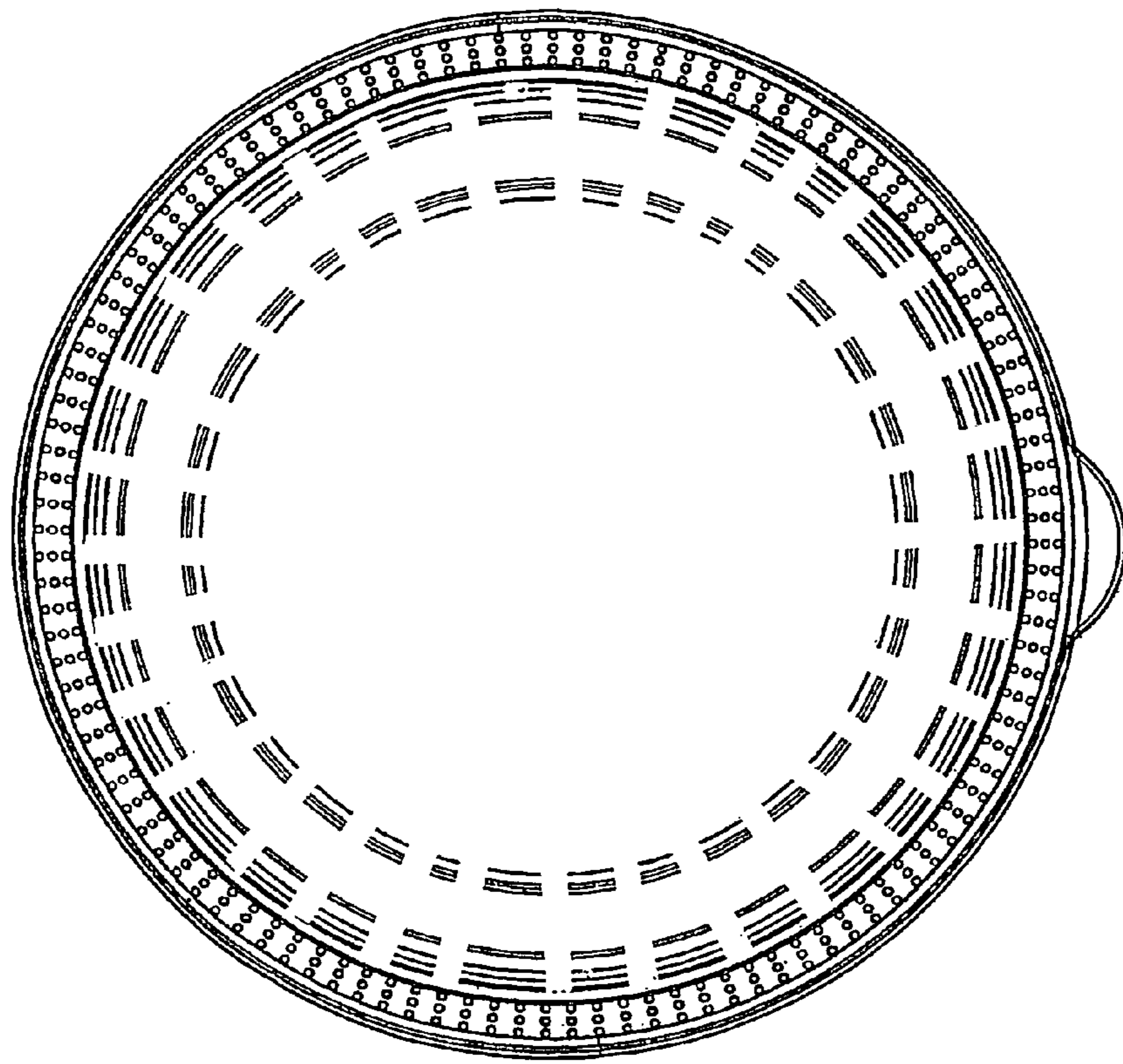


FIG. 1

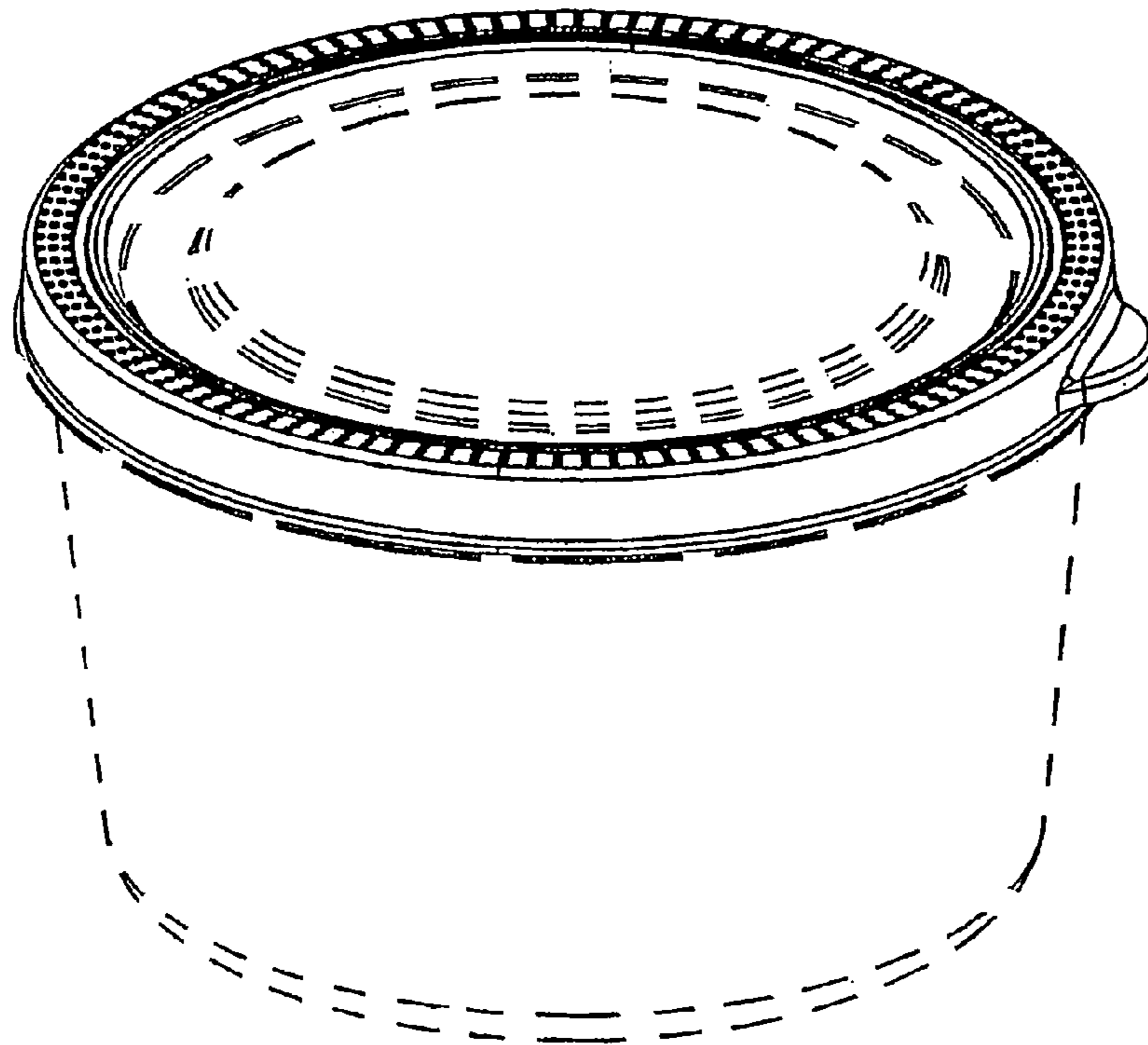


FIG. 2