



US00D705591S

(12) **United States Design Patent**
Lee

(10) **Patent No.:** **US D705,591 S**
(45) **Date of Patent:** **** May 27, 2014**

(54) **MICROWAVE OVEN**

(75) Inventor: **Hyun Il Lee**, Seoul (KR)

(73) Assignee: **Samsung Electronics Co., Ltd.**,
Gyeonggi-do (KR)

(**) Term: **14 Years**

(21) Appl. No.: **29/424,749**

(22) Filed: **Jun. 15, 2012**

(51) **LOC (10) Cl.** **07-02**

(52) **U.S. Cl.**
USPC **D7/351**

(58) **Field of Classification Search**
USPC D7/350.1, 350.3, 350.4, 351, 402, 405,
D7/406, 408, 348, 347; 126/275 E, 273 A,
126/19 M, 275 R, 21 R; 219/756-758
See application file for complete search history.

(56) **References Cited**

U.S. PATENT DOCUMENTS

D531,447 S *	11/2006	Lee et al.	D7/350.4
D532,645 S *	11/2006	Lee	D7/351
D539,592 S *	4/2007	Jeon	D7/350.1
D633,329 S *	3/2011	Baek et al.	D7/351
D633,330 S *	3/2011	Baek et al.	D7/351
D633,750 S *	3/2011	Baek et al.	D7/351

D633,751 S *	3/2011	Baek et al.	D7/351
D634,576 S *	3/2011	Baek et al.	D7/351
D638,250 S *	5/2011	Lee et al.	D7/351
D657,607 S *	4/2012	Ohmae et al.	D7/351
D665,219 S *	8/2012	Ohmae et al.	D7/351
D665,220 S *	8/2012	Ohmae et al.	D7/351
D673,416 S *	1/2013	Lee	D7/351
D673,417 S *	1/2013	Lee	D7/351
D673,418 S *	1/2013	Lee et al.	D7/351

* cited by examiner

Primary Examiner — Ruth McInroy

(74) *Attorney, Agent, or Firm* — Harness, Dickey & Pierce,
P.L.C.

(57) **CLAIM**

I claim the ornamental design for a microwave oven, as shown and described.

DESCRIPTION

FIG. 1 is a top, front and right side perspective view of a microwave oven showing my new design; FIG. 2 is a front elevational view thereof; FIG. 3 is a rear elevational view thereof; FIG. 4 is a left-side elevational view thereof; FIG. 5 is a right-side elevational view thereof; FIG. 6 is a top plan view thereof; and, FIG. 7 is a bottom plan view thereof. The details shown in broken lines form no part of the claimed design.

1 Claim, 7 Drawing Sheets

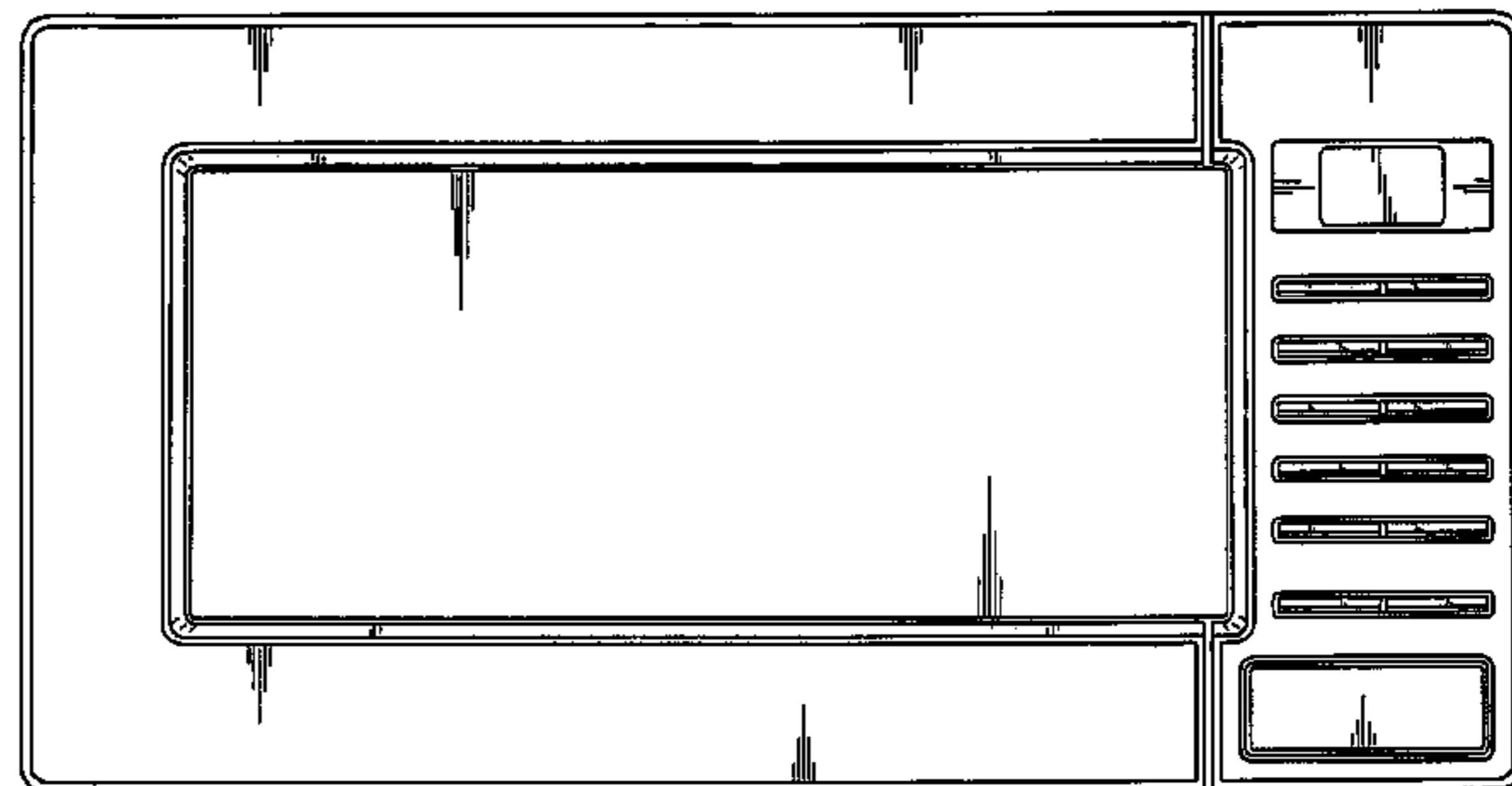
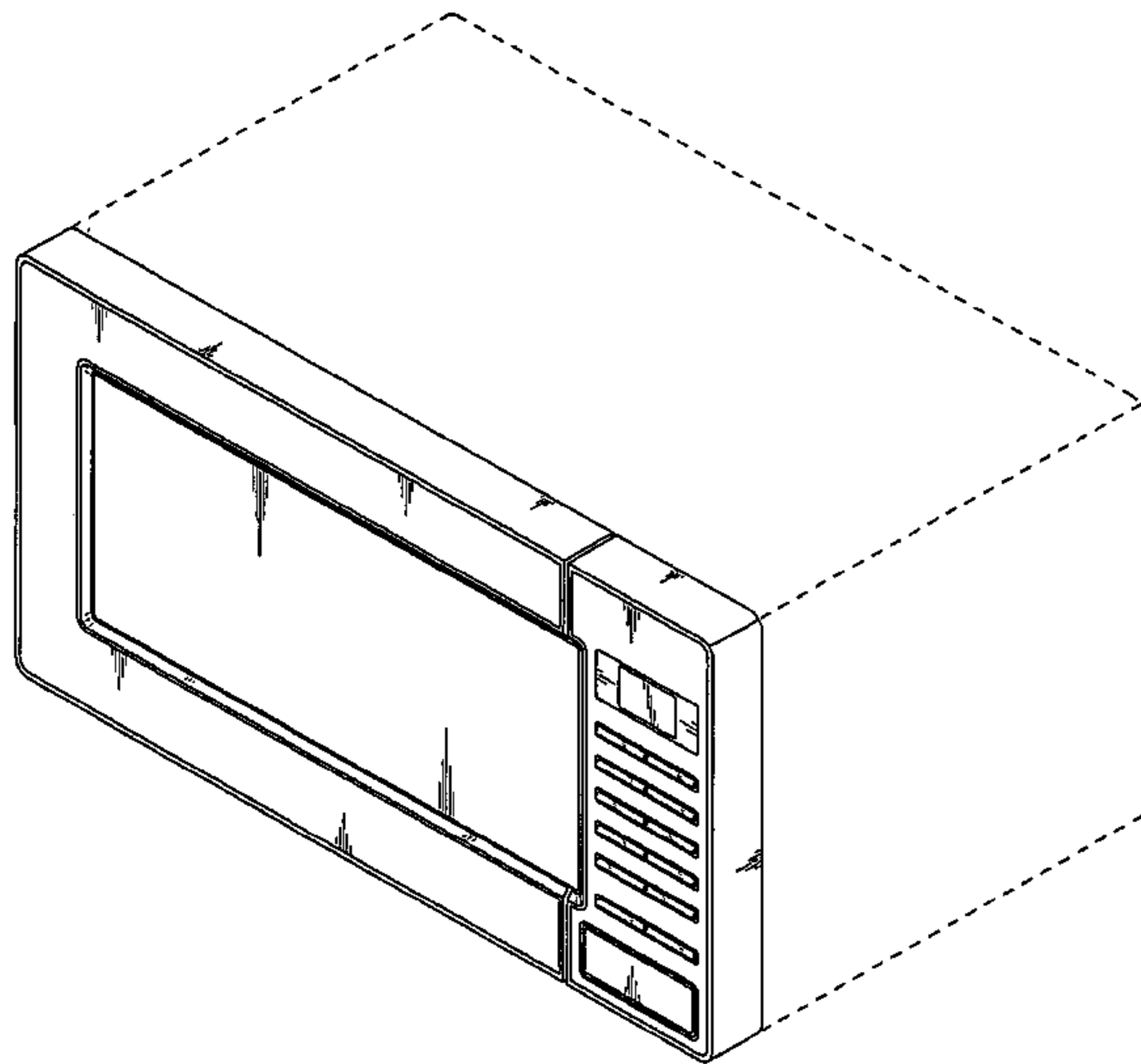


FIG. 1

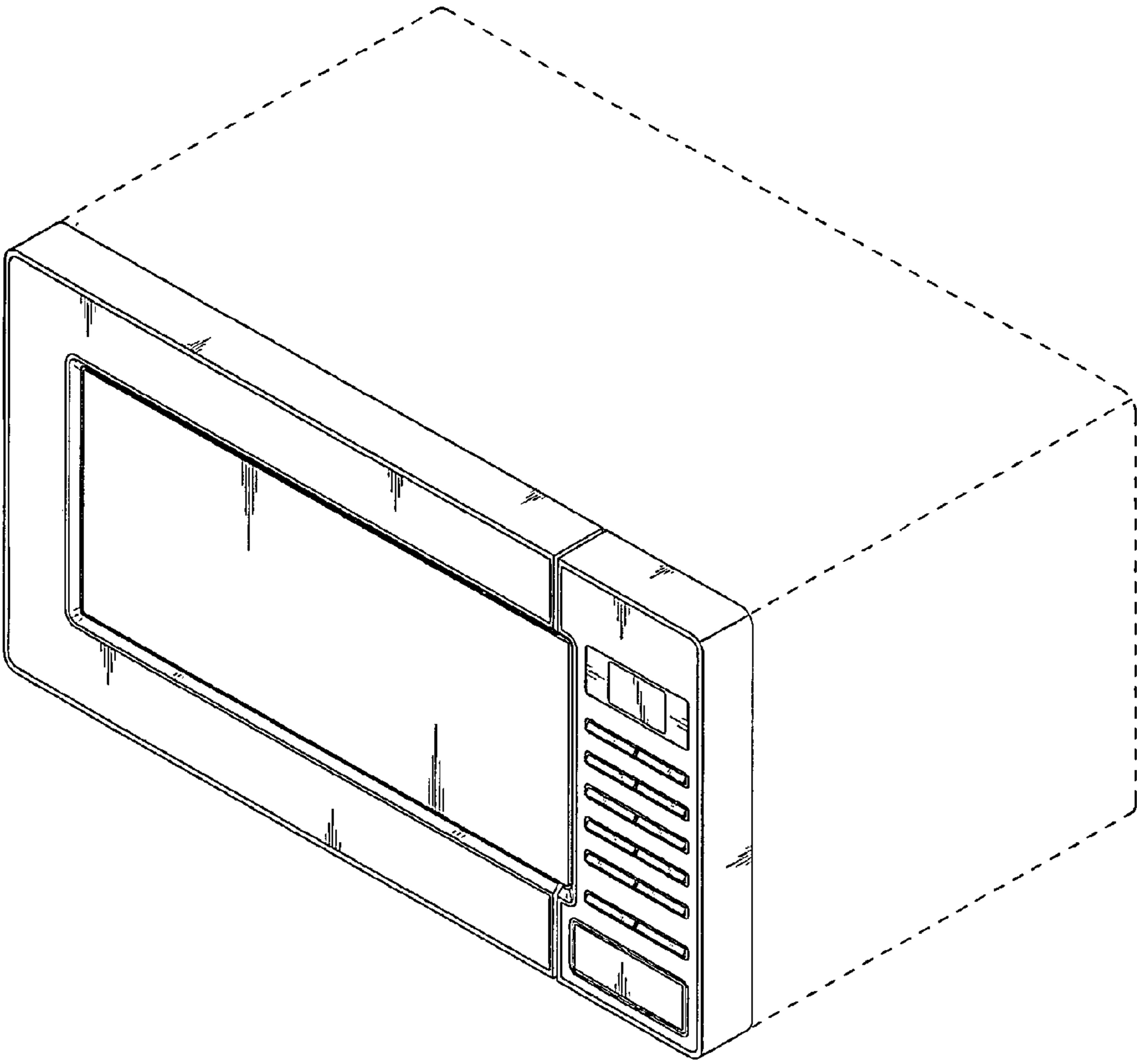


FIG. 2

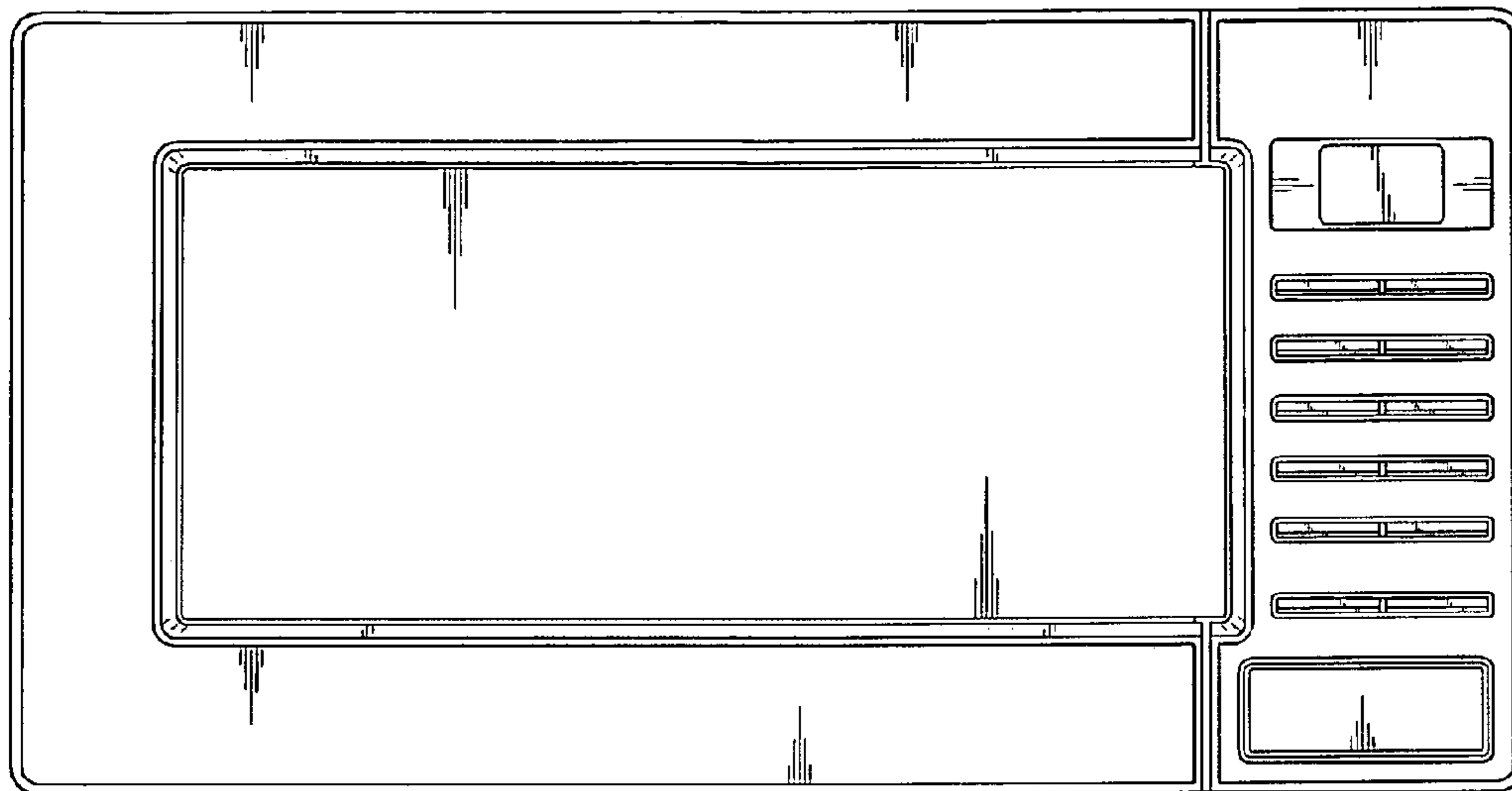


FIG. 3



FIG. 4



FIG. 5



FIG. 6

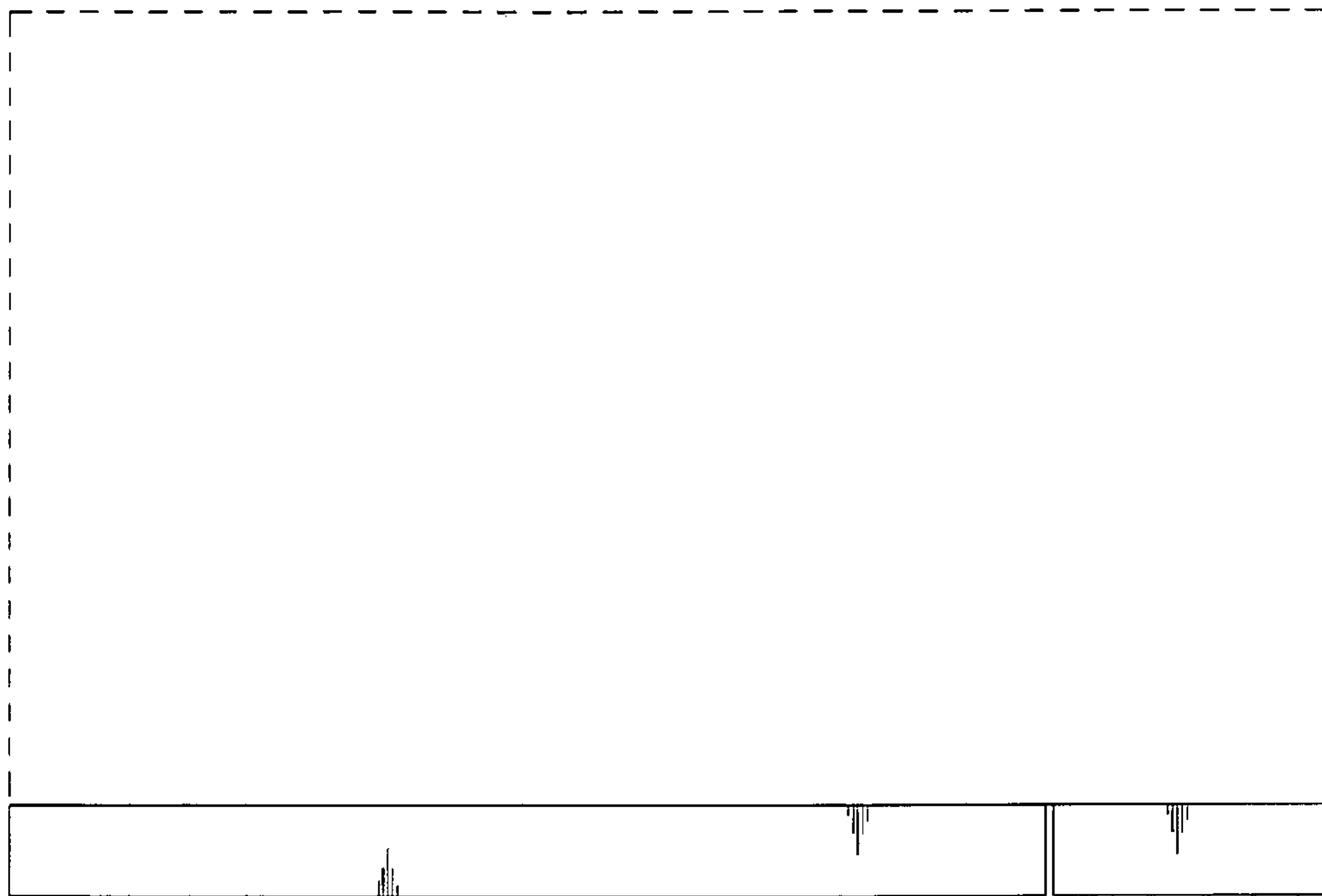


FIG. 7

