

US00D705586S

(12) **United States Design Patent**
Denby et al.

(10) **Patent No.:** **US D705,586 S**

(45) **Date of Patent:** **** May 27, 2014**

(54) **SUPPORT SHELF**

(71) Applicant: **Target Brands, Inc.**, Minneapolis, MN (US)

(72) Inventors: **Scott Denby**, Minneapolis, MN (US);
Joseph R. Stukenberg, Minneapolis, MN (US); **Nicholas Angvall**,
Minneapolis, MN (US)

(73) Assignee: **Target Brands, Inc.**, Minneapolis, MN (US)

(**) Term: **14 Years**

(21) Appl. No.: **29/479,957**

(22) Filed: **Jan. 22, 2014**

(51) **LOC (10) Cl.** **06-06**

(52) **U.S. Cl.**
USPC **D6/705.7**

(58) **Field of Classification Search**
USPC D6/509, 511, 553, 567–569, 574, 705,
D6/705.1, 704, 707, 705.7; 108/25, 28, 42;
211/13.1, 86.01, 71.01, 74, 126.1,
211/90.03, 134–135

See application file for complete search history.

(56) **References Cited**

U.S. PATENT DOCUMENTS

560,884	A *	5/1896	Anderson et al.	248/249
D282,034	S	1/1986	Janke		
D300,999	S *	5/1989	Hanna	D6/574
D328,680	S *	8/1992	Zapf	D6/511
D370,366	S	6/1996	Watts		
D376,737	S *	12/1996	Hecker	D7/698

(Continued)

OTHER PUBLICATIONS

“Customised In-Store Fitting Solutions from SI Retail”, printed from http://www.spec-net.com.au/press/0711/sir_270711.htm, available at least as early as Mar. 22, 2013, per <http://web.archive.org> (2 pages).

“Retail Fixtures & Store Displays—Sporting Goods”, printed from <http://www.leidencabinet.com/our-work/sporting-goods.aspx>, available at least as early as Jan. 26, 2012, per <http://web.archive.org> (3 pages).

(Continued)

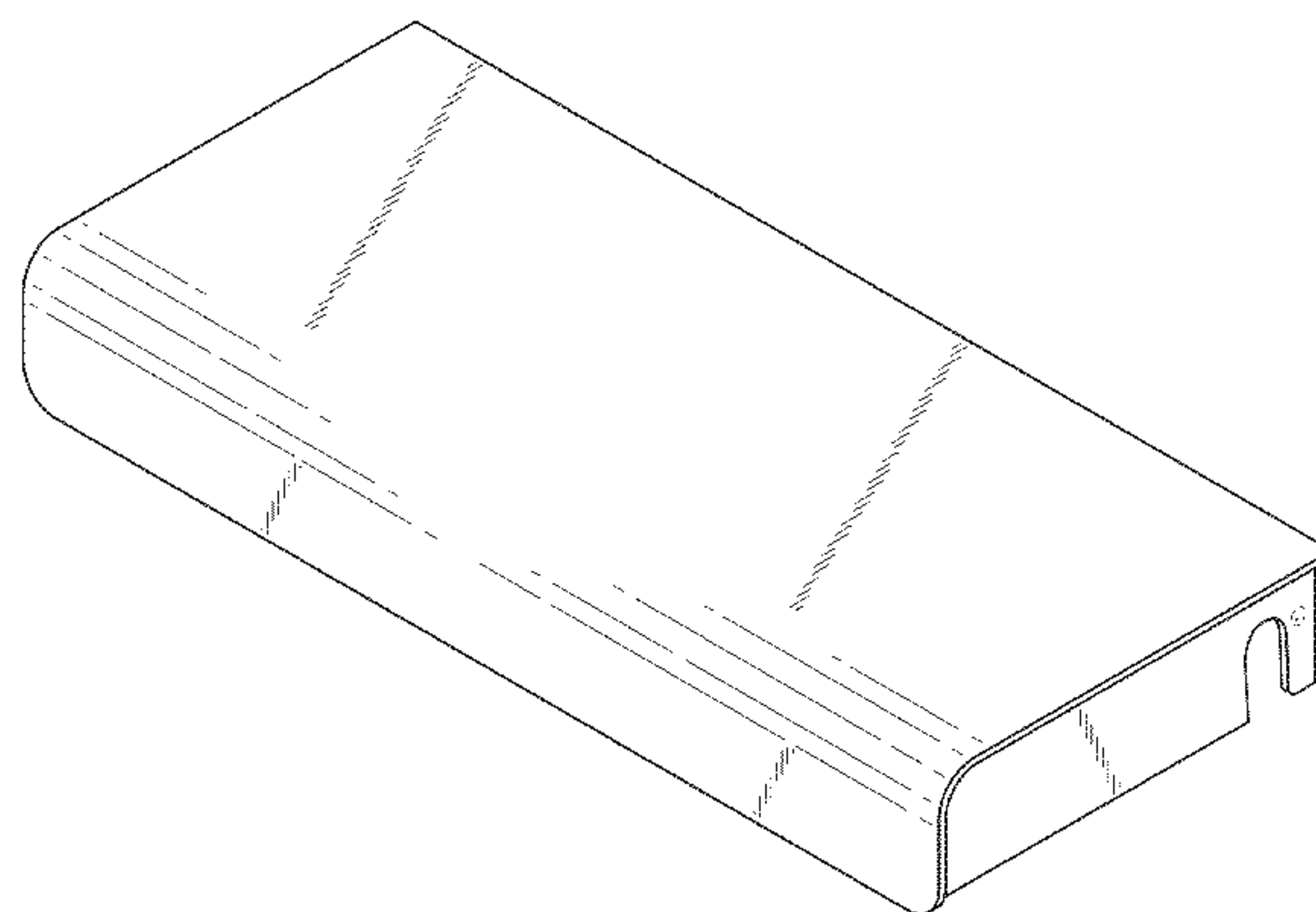
Primary Examiner — Kelley Donnelly
(74) *Attorney, Agent, or Firm* — Griffiths & Seaton PLLC;
JoAnn M. Seaton

(57) **CLAIM**
The ornamental design for a support shelf, as shown and described.

DESCRIPTION

FIG. 1 is a front, perspective view of a support shelf showing our new design;
FIG. 2 is a front view thereof;
FIG. 3 is a rear view thereof;
FIG. 4 is a right side view thereof, the left side view being a mirror image of the right side view;
FIG. 5 is a top view thereof; and
FIG. 6 is a bottom view thereof.
FIG. 7 is a front, perspective view of the support shelf of FIG. 1 shown with additional environmental subject matter in the form of a partial support rod;
FIG. 8 is a front view thereof;
FIG. 9 is a rear view thereof;
FIG. 10 is a right side view thereof, the left side view being a mirror image of the right side view;
FIG. 11 is a top view thereof; and
FIG. 12 is a bottom view thereof; and,
FIG. 13 is a front, perspective view of the support shelf of FIG. 1 shown with additional environmental subject matter in the form of a partial support rod and a surrounding retail display system.
The features shown in broken lines are portions of the support shelf or environmental subject matter to the support shelf forming no part of the claimed design. The features shown in long dash-short dash bolded broken lines (see FIGS. 3, 6, 9, and 12) indicate the bounds of the claimed design and otherwise form no part of the claimed design.

1 Claim, 7 Drawing Sheets



(56)

References Cited

U.S. PATENT DOCUMENTS

D427,457 S	7/2000	Heiny et al.	
D431,403 S	10/2000	Ford	
D436,762 S	1/2001	Heiny et al.	
D472,403 S	4/2003	Bogish et al.	
D477,464 S *	7/2003	Cang	D3/295
D485,458 S *	1/2004	Govrik et al.	D6/511
D512,867 S *	12/2005	Gates et al.	D6/574
D519,121 S	4/2006	Zamanian	
D571,743 S *	6/2008	Tu	D14/125
D603,634 S	11/2009	Rotolo	
D616,669 S	6/2010	McMahon-Miller	
D651,831 S *	1/2012	Becherer et al.	D6/518
D669,288 S *	10/2012	Brigham	D6/552
D682,553 S *	5/2013	Jurich et al.	D3/318
D686,021 S *	7/2013	Gilboe et al.	D6/574
D690,533 S *	10/2013	Majcher	D6/574
D696,541 S *	12/2013	Puksta	D6/706

OTHER PUBLICATIONS

“10-4" X 10" Styrene Sign-slot Shelves for Slatwall”, printed from www.aastorefixtures.com/4-x-10-styrene-sign-slot-shelves-slatwall-p/jm4s1-st.htm?gclid=CIDr6omKkrwCFatcMgodzi8Aig, available at least as early as Jan. 21, 2014 (2 pages).

“Wall Pin Panel Shoe Display”, printed from www.cnsdisplays.com/noname1.html, available at least as early as Mar. 23, 2012, per <http://web.archive.org> (2 pages).

“S-XH Hanging Shoe Display”, printed from www.cnsdisplays.com/shashdi1.html?cmp=googleproducts&kw=shashdi1&gclid=CNqu-fKJkrwCFa4-MgodFy1AMg, available at least as early as Jan. 21, 2014 (4 pages).

“Slatwall Display Shelf—22 x 8””, printed from www.uline.com/Product/Detail/H-3881/Retail-Shelving/Slatwal...e=pla&id=34610243842&gclid=CNutjZ-JkrwCFWJIMgodNDIAgg&gclsrc=aw.ds, available at least as early as Jan. 21, 2014 (1 page). Shoe Shelf publicly used in Target Stores at least as early as 2012 (1 page).

* cited by examiner

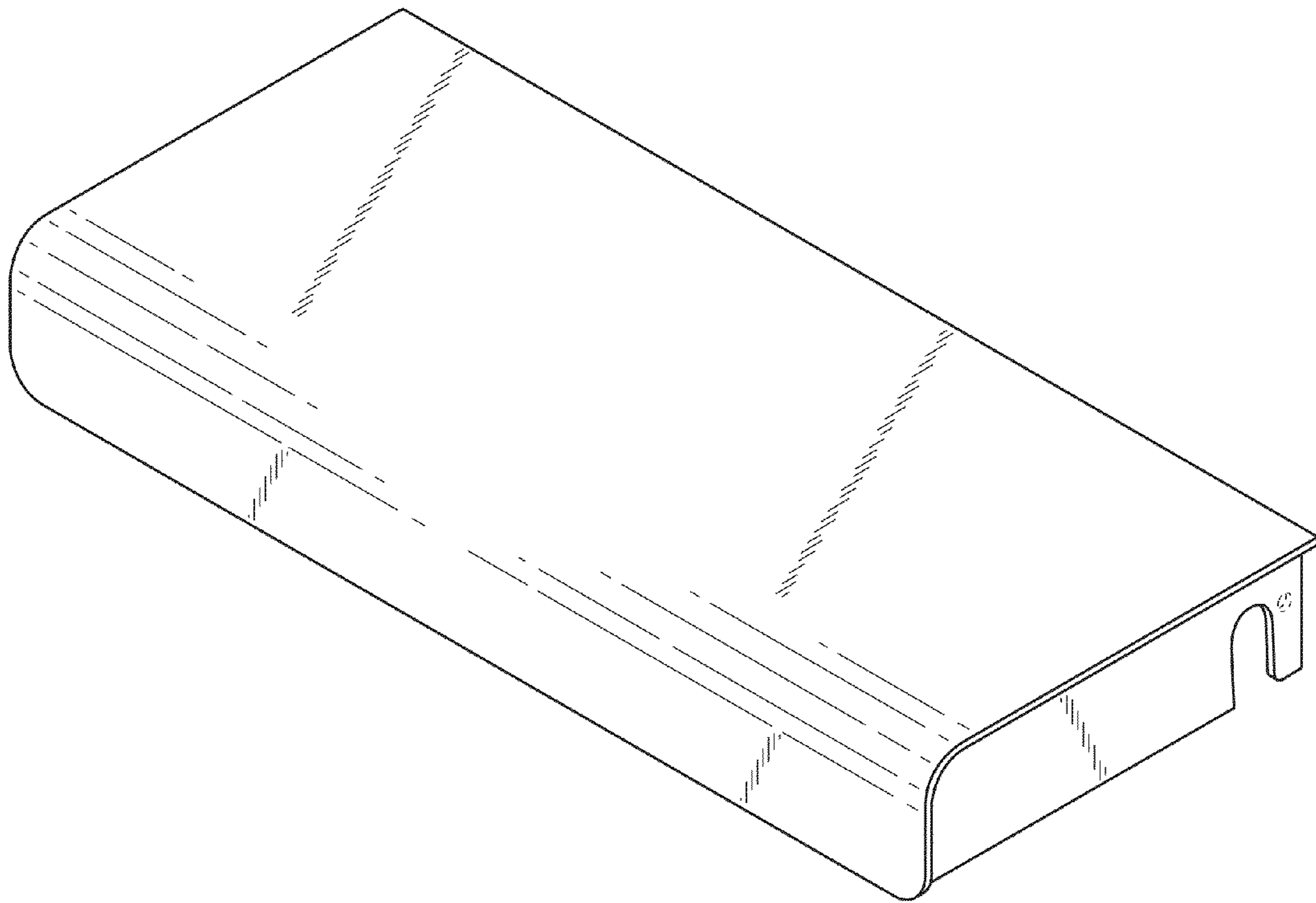


FIG. 1

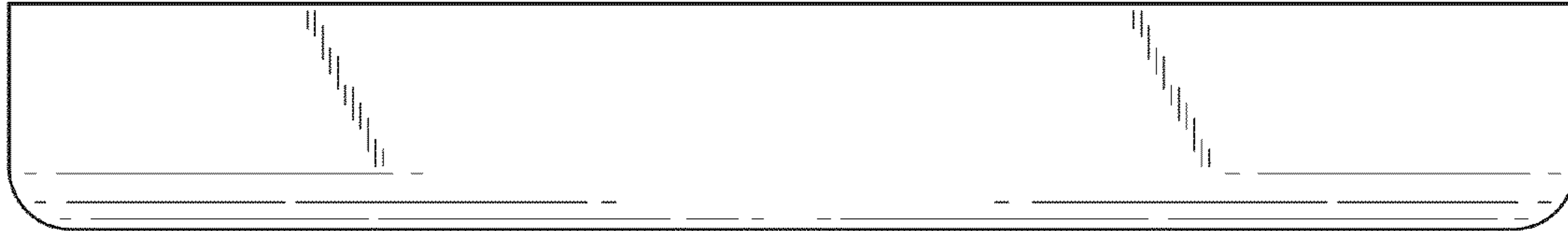


FIG. 2



FIG. 3

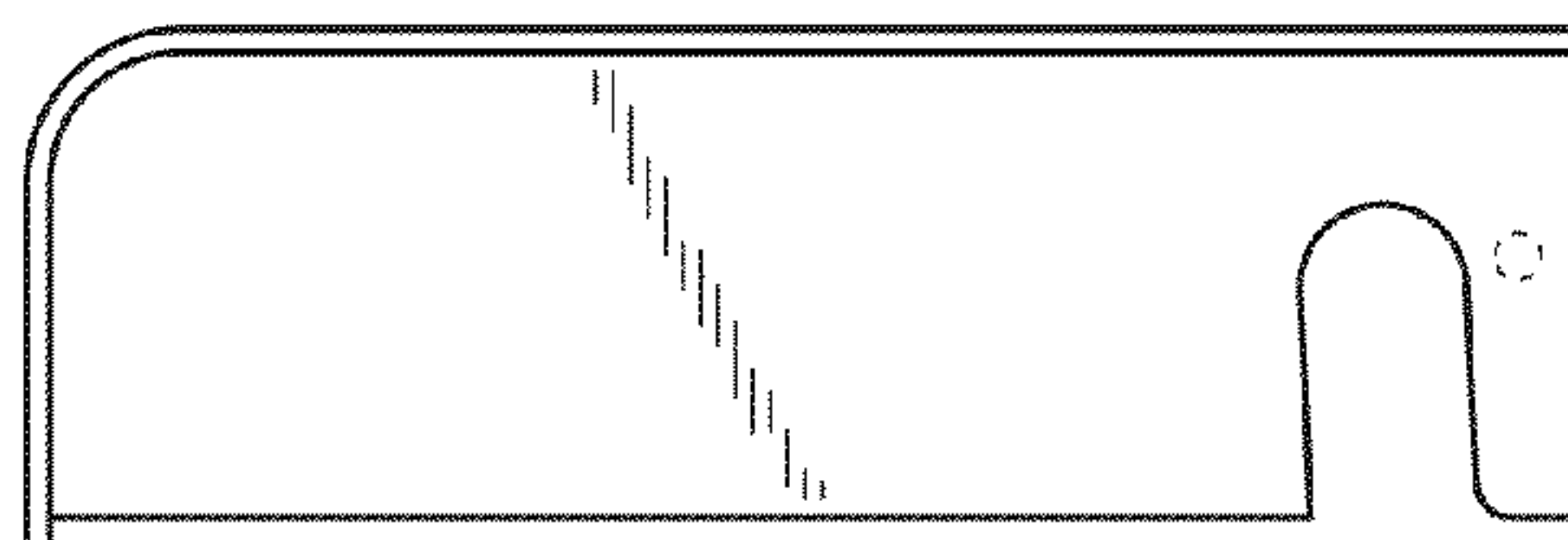


FIG. 4

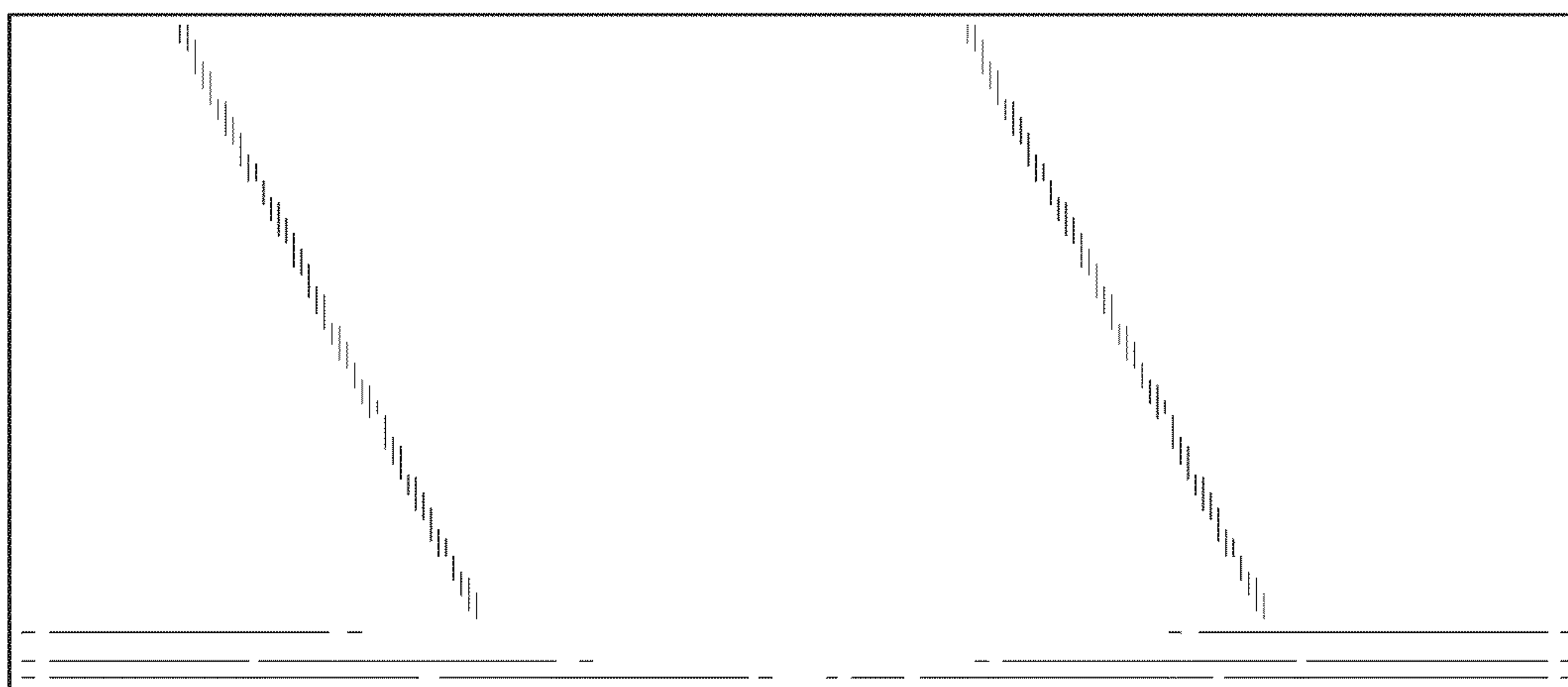


FIG. 5

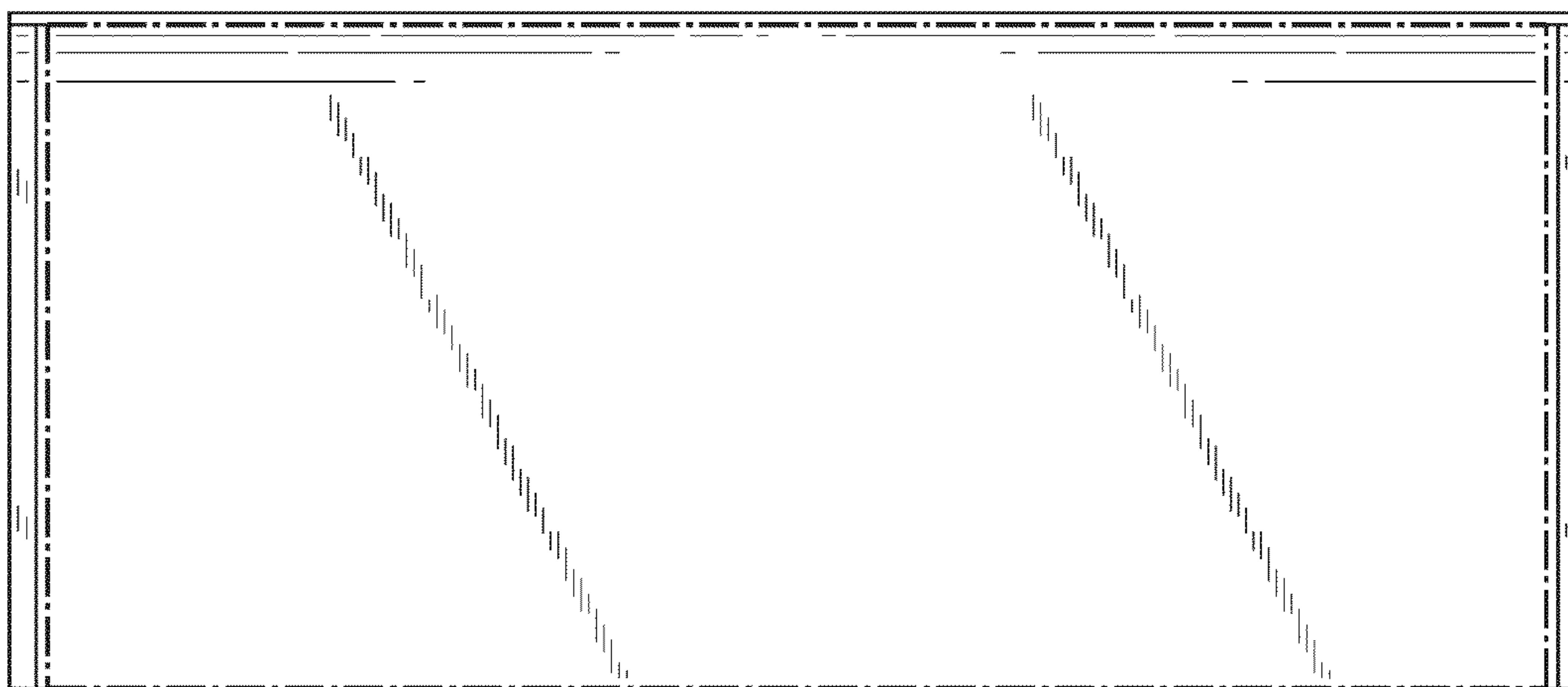


FIG. 6

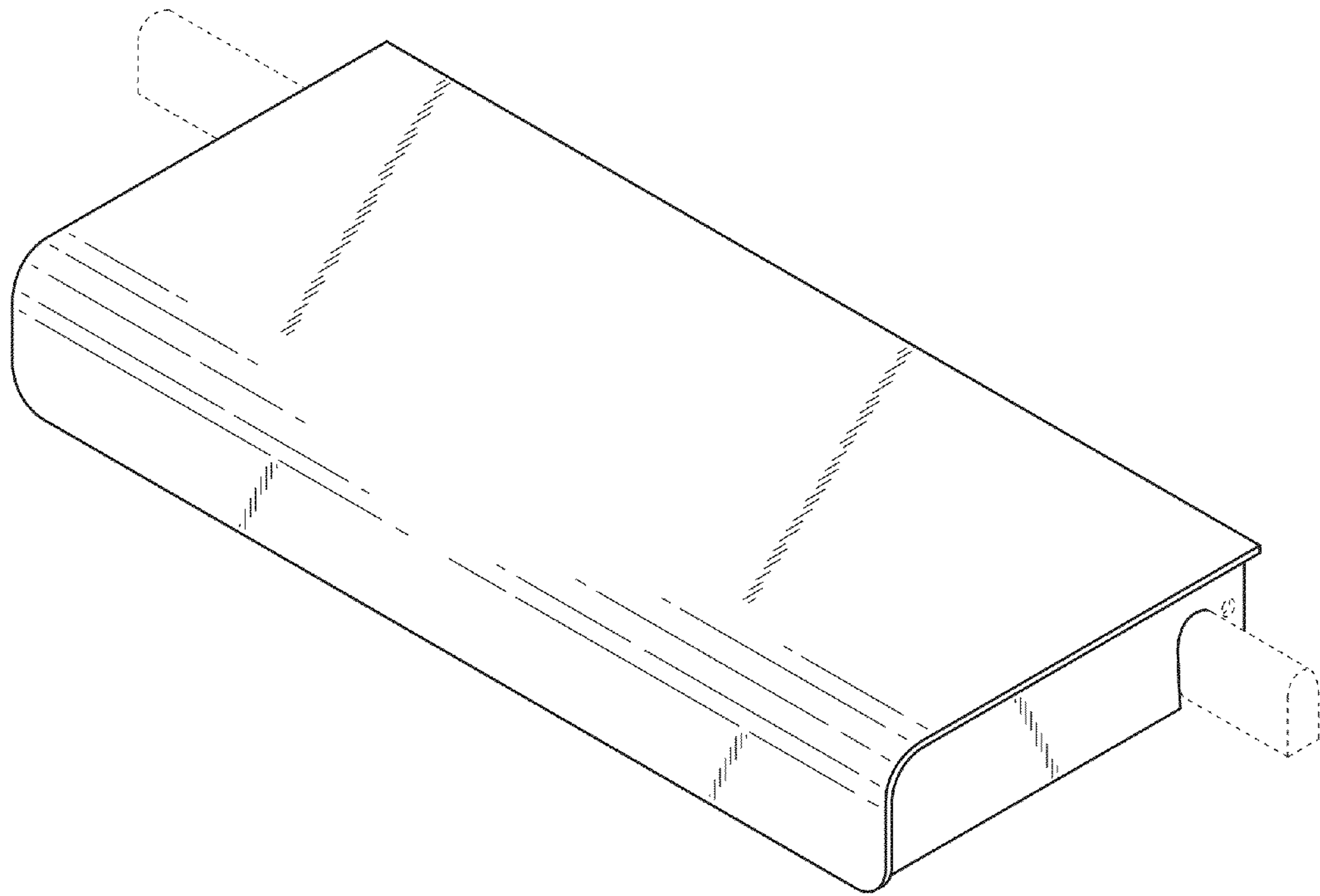


FIG. 7

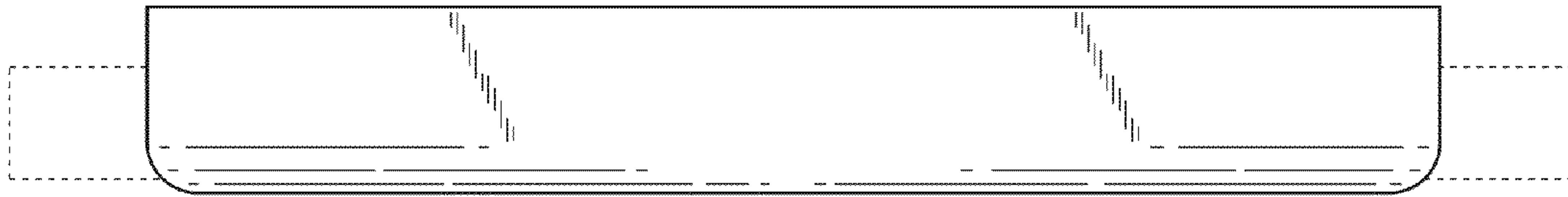


FIG. 8

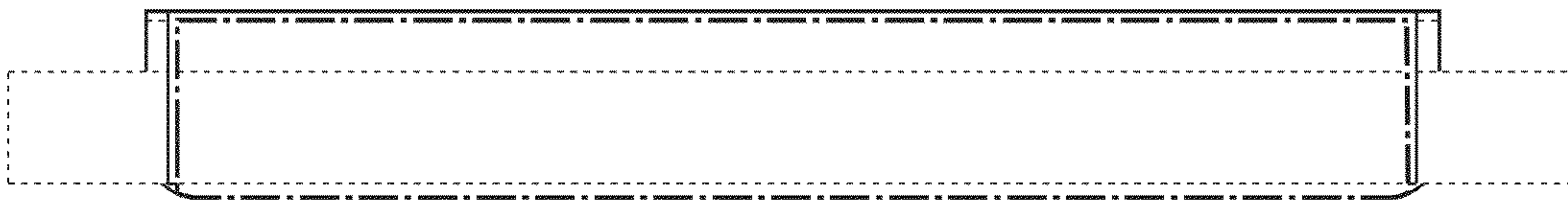


FIG. 9

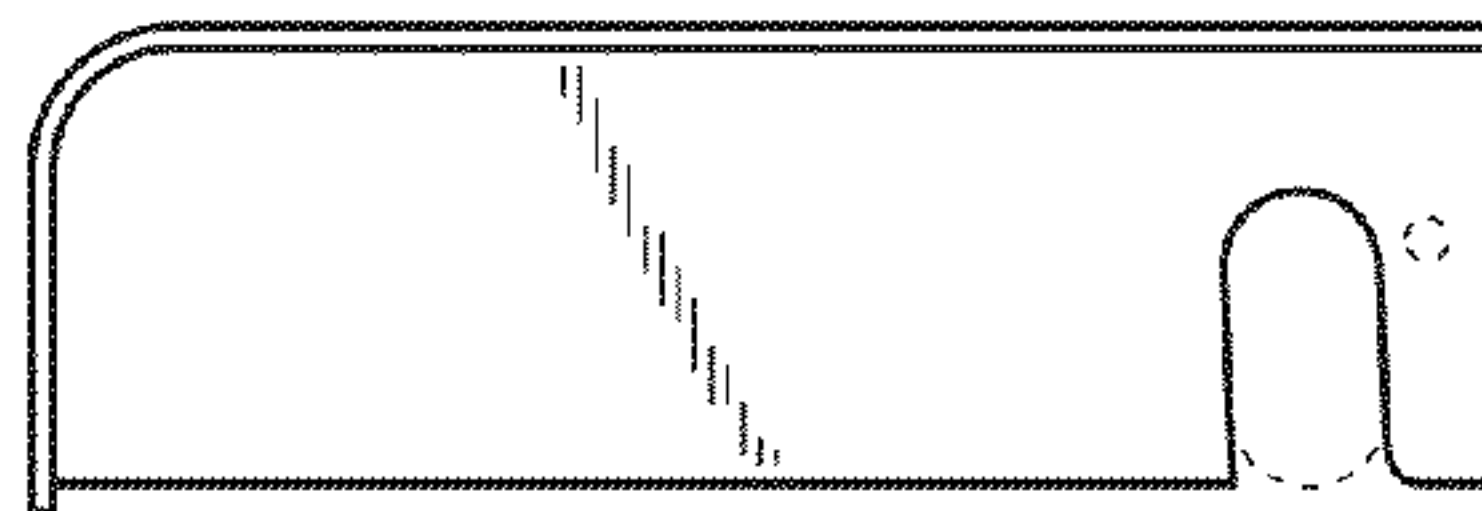


FIG. 10

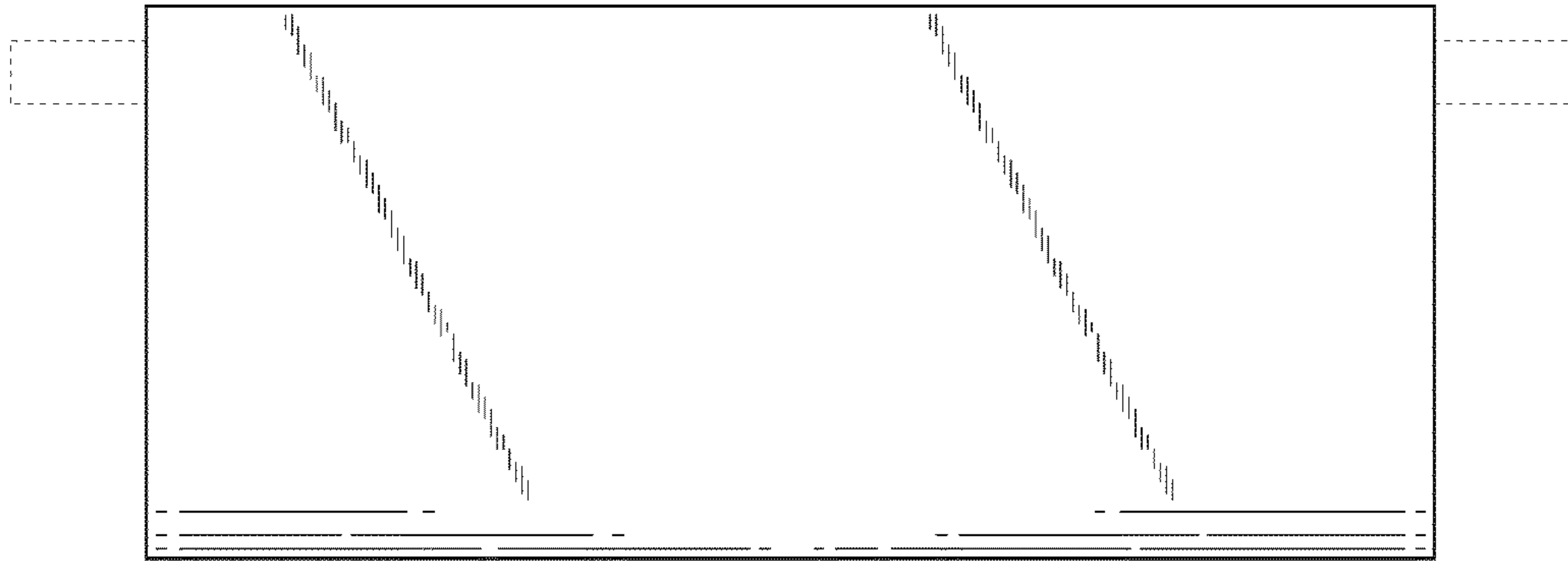


FIG. 11

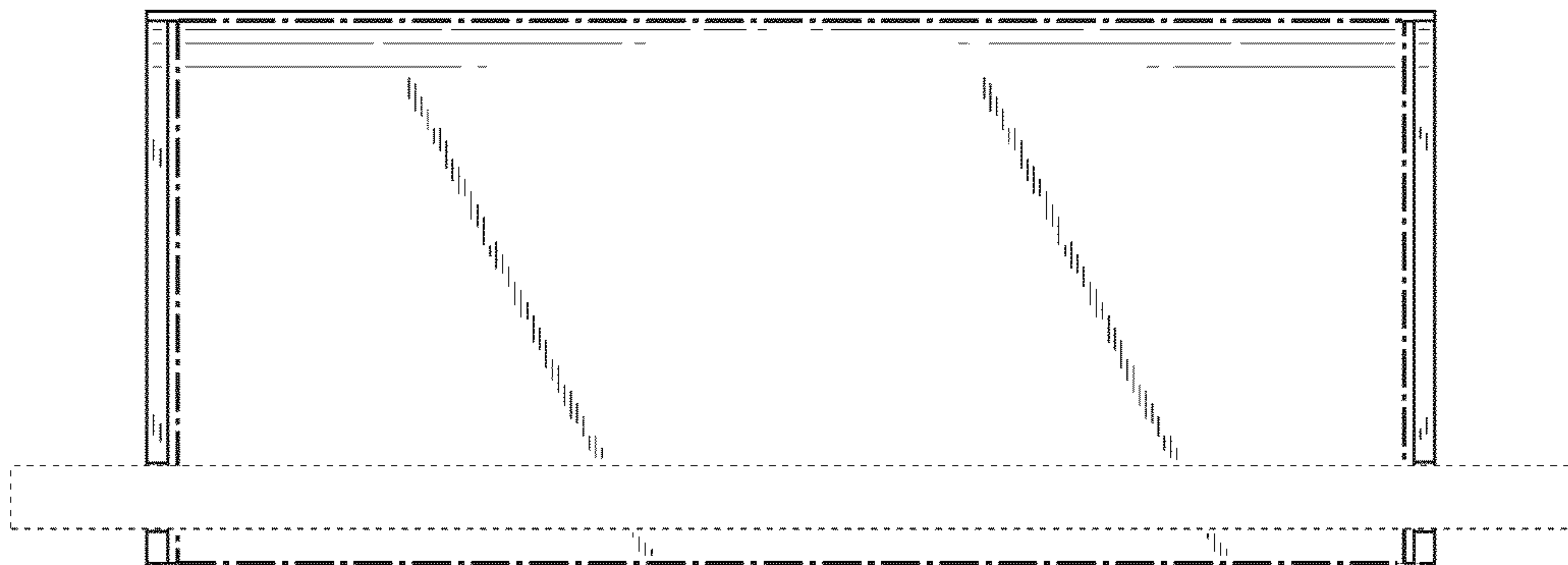


FIG. 12

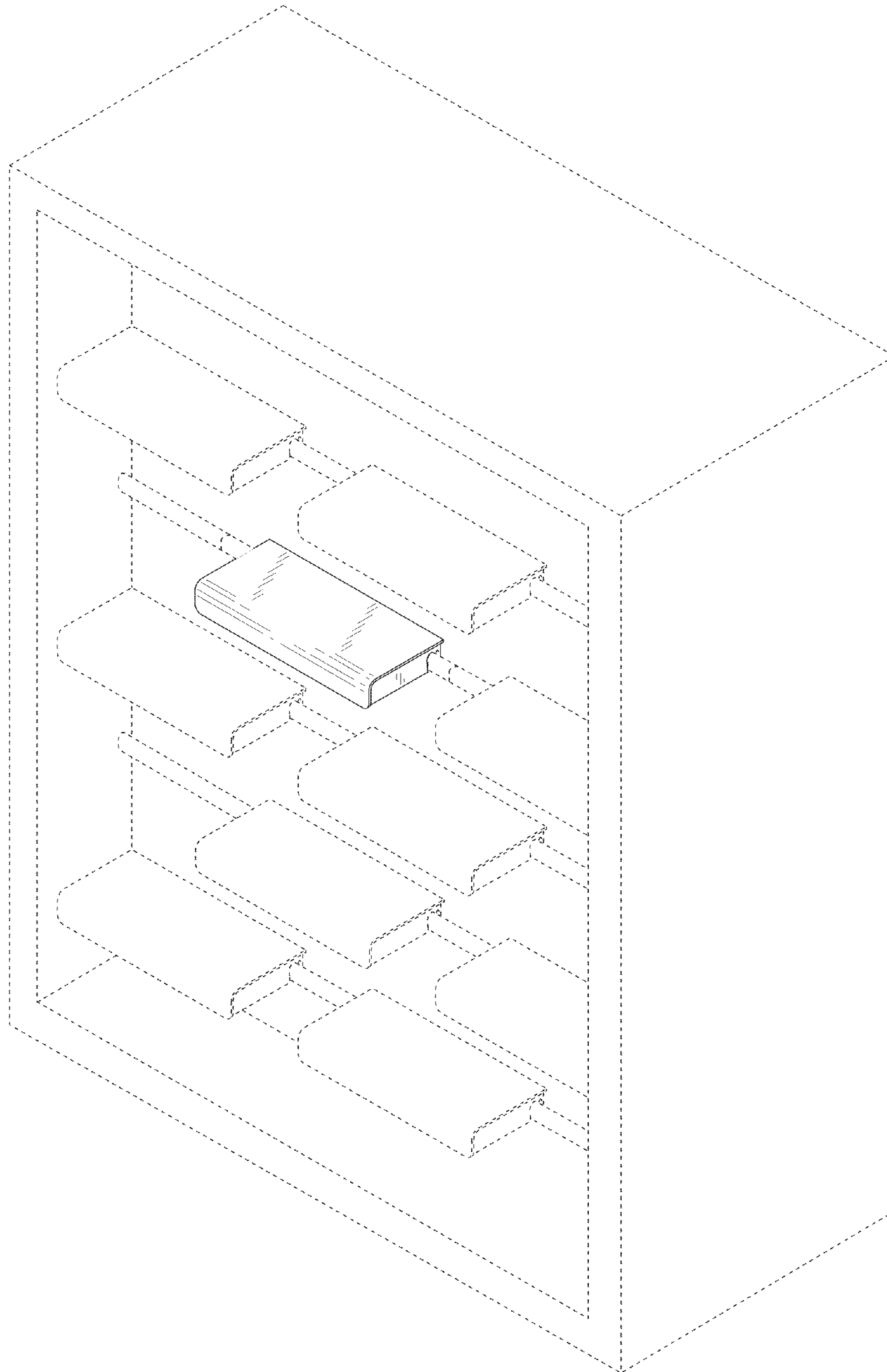


FIG. 13