



US00D705585S

(12) **United States Design Patent**  
**Kim**

(10) **Patent No.:** **US D705,585 S**

(45) **Date of Patent:** **\*\* \*May 27, 2014**

(54) **FINISHING MATERIAL FOR A SHOWCASE**

(71) Applicant: **Seidae Industrial Co., Ltd.**, Goyang-si (KR)

(72) Inventor: **Deok-Rae Kim**, Goyang-si (KR)

(73) Assignee: **Seidae Industrial Co., Ltd.**, Goyang-Si (KR)

(\*) Notice: This patent is subject to a terminal disclaimer.

(\*\*) Term: **14 Years**

(21) Appl. No.: **29/470,680**

(22) Filed: **Oct. 24, 2013**

(30) **Foreign Application Priority Data**

Sep. 26, 2013 (KR) ..... 30-2013-0048962

(51) **LOC (10) Cl.** ..... **06-06**

(52) **U.S. Cl.**  
USPC ..... **D6/705.7**

(58) **Field of Classification Search**  
USPC ..... D6/491, 509, 511, 561, 582–583, 702,  
D6/705, 705.5, 705.7; D25/119–125, 138;  
D8/349, 354, 373, 380, 382; 211/88,  
211/90, 126, 134–135, 187, 193  
See application file for complete search history.

(56) **References Cited**

**U.S. PATENT DOCUMENTS**

3,411,977	A *	11/1968	Slater, Jr.	.....	428/33
D329,547	S *	9/1992	Hageman	.....	D6/406.4
D334,497	S *	4/1993	Putty	.....	D6/511
D344,350	S *	2/1994	DePascale et al.	.....	D25/113
D415,208	S *	10/1999	Hammar	.....	D20/44
D422,260	S *	4/2000	Meizlish	.....	D12/400
D435,670	S *	12/2000	Crish et al.	.....	D25/124
6,286,286	B1 *	9/2001	Simonar	.....	52/716.1
D456,088	S *	4/2002	Nelson et al.	.....	D25/136

D520,553	S *	5/2006	Bogdan et al.	.....	D17/20
D542,939	S *	5/2007	Neuhofer, Jr.	.....	D25/136
D542,941	S *	5/2007	Neuhofer, Jr.	.....	D25/136
D592,157	S *	5/2009	Shields et al.	.....	D13/167
D604,967	S *	12/2009	da Silva Netto et al.	.....	D6/491
D625,533	S *	10/2010	Goldberg	.....	D6/511
D634,026	S *	3/2011	Baccarini	.....	D25/61
D641,101	S *	7/2011	Radchenko et al.	.....	D26/138
D643,709	S *	8/2011	Olsson et al.	.....	D8/403
D652,932	S *	1/2012	Petteway	.....	D24/164
8,109,059	B2 *	2/2012	Proot	.....	52/468
D684,796	S *	6/2013	Gasser	.....	D6/705
8,528,285	B2 *	9/2013	Kornfalt	.....	52/395

\* cited by examiner

*Primary Examiner* — Kelley Donnelly

(74) *Attorney, Agent, or Firm* — Lexyoume IP Meister, PLLC

(57) **CLAIM**

The ornamental design for finishing material for a showcase, as shown and described.

**DESCRIPTION**

FIG. 1 is a top and left side perspective view of a finishing material for a showcase showing my new design;  
 FIG. 2 is a front elevational view thereof;  
 FIG. 3 is a rear elevational view thereof;  
 FIG. 4 is a left side elevational view thereof;  
 FIG. 5 is a right side elevational view thereof;  
 FIG. 6 is a top plan view thereof;  
 FIG. 7 is a bottom plan view thereof;  
 FIG. 8 is a top and right side perspective view thereof;  
 FIG. 9 is a bottom and left side perspective view thereof;  
 FIG. 10 is a bottom and right side perspective view thereof;  
 and,  
 FIG. 11 is a top and left side perspective view thereof shown in environment.  
 The broken lines showing in FIG. 11 are for the purposes of illustrating the environment of the article only and form no part of the claimed design.

**1 Claim, 7 Drawing Sheets**

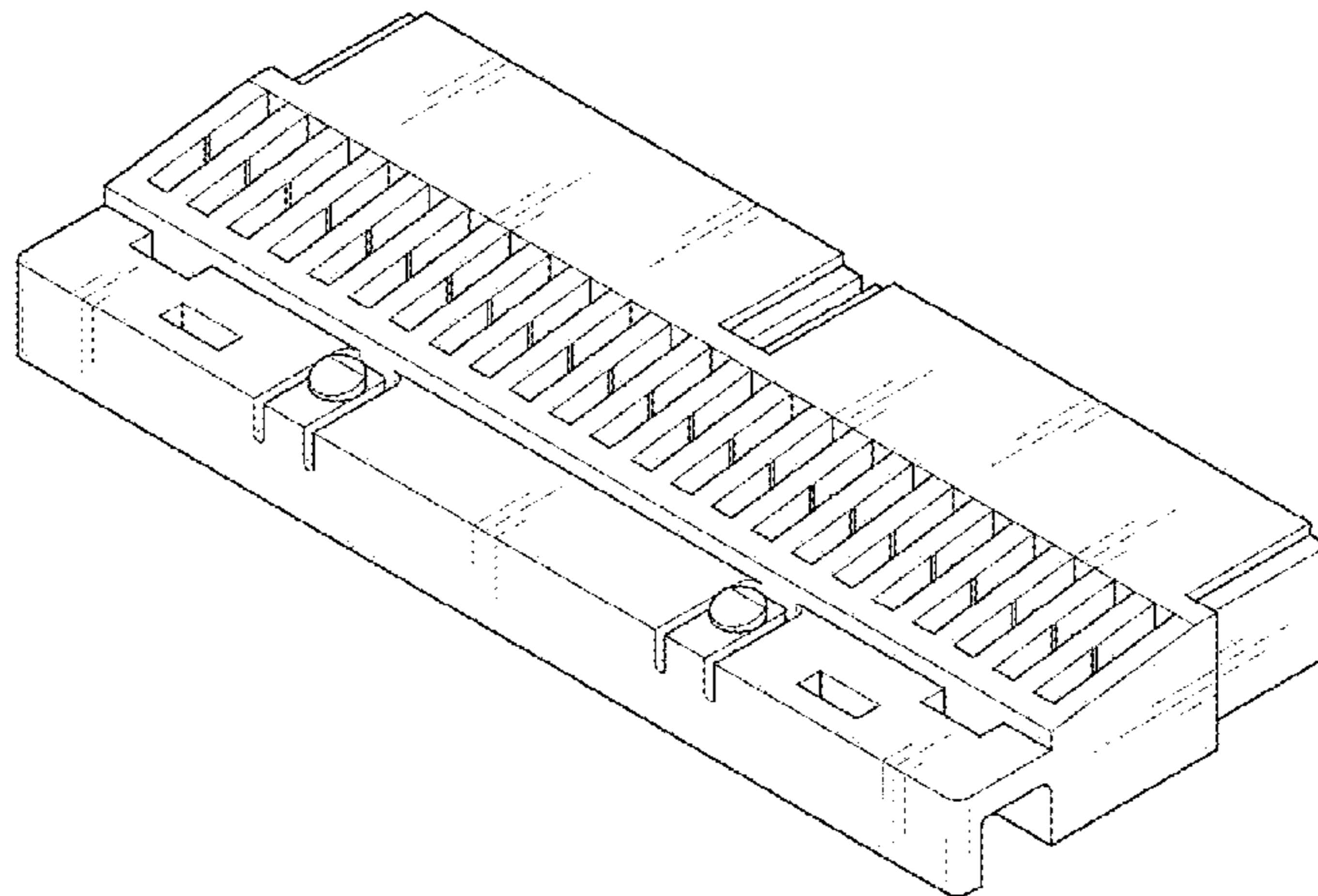


FIG. 1

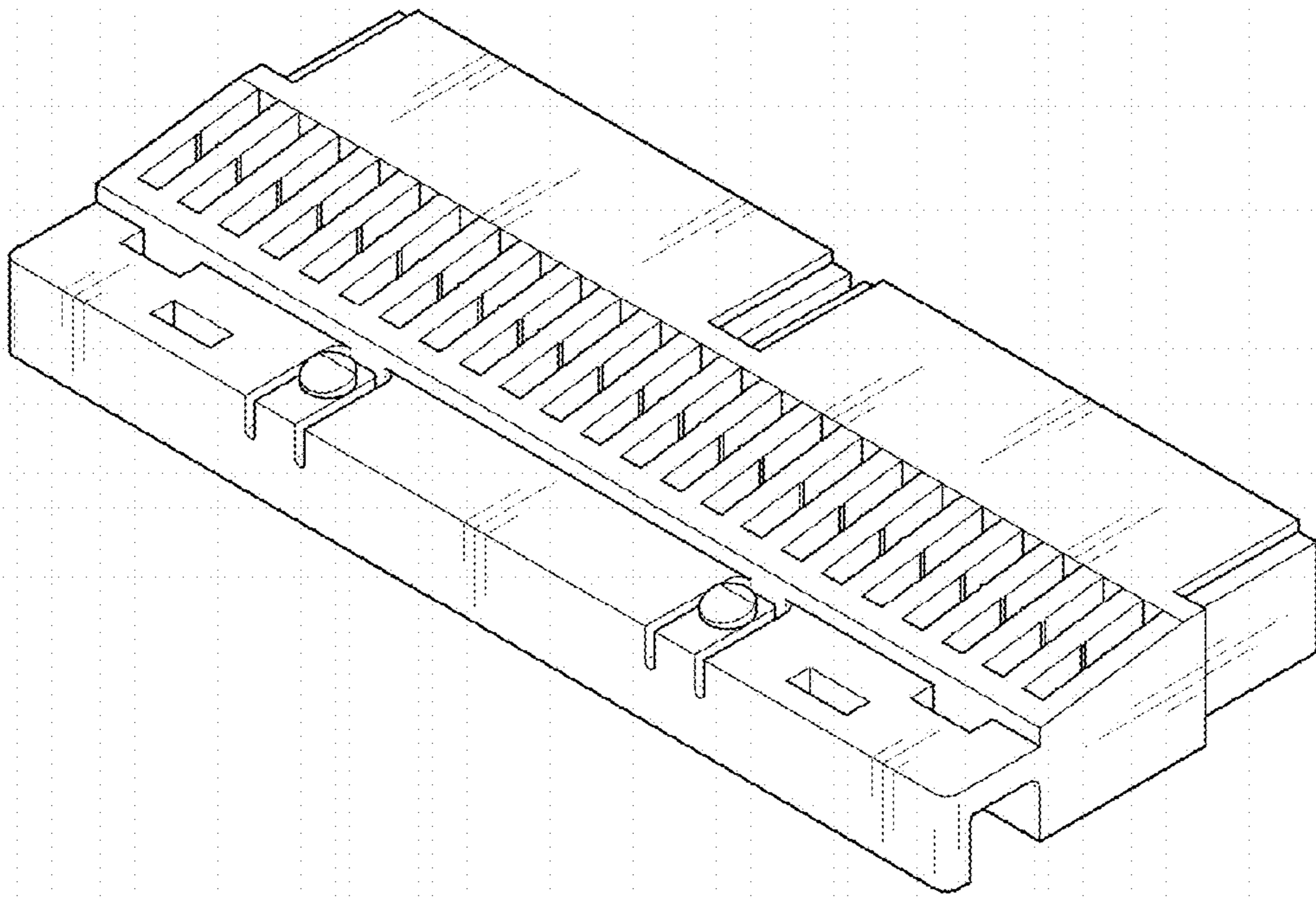


FIG. 2

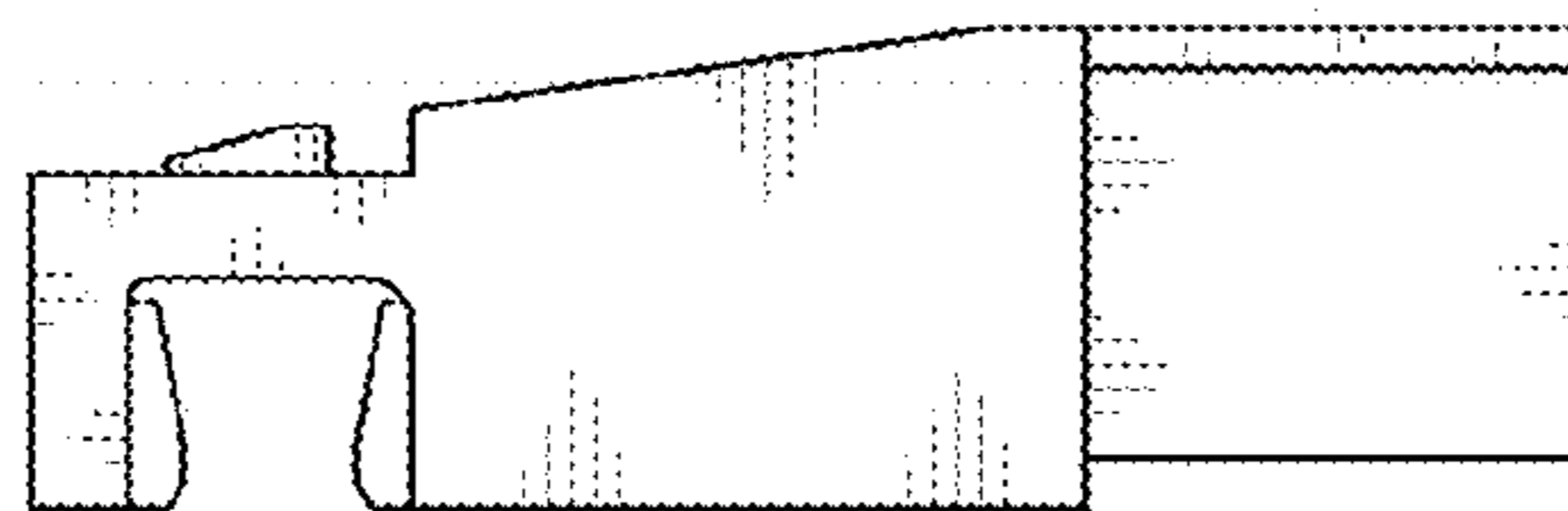


FIG. 3

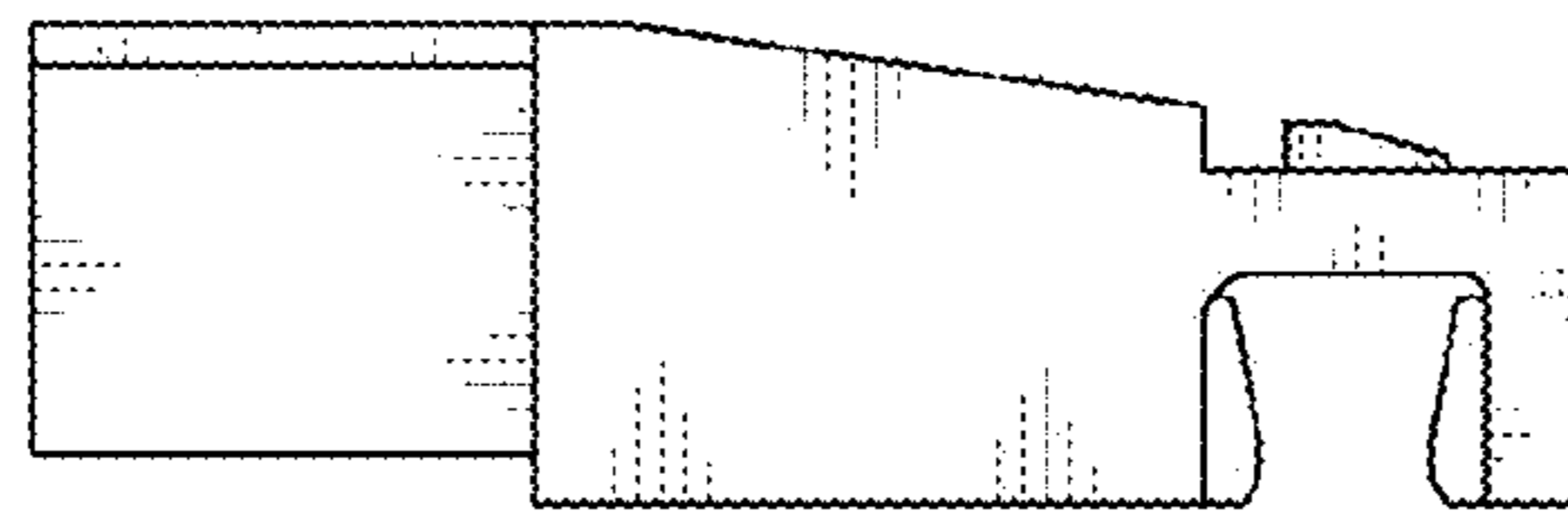


FIG. 4

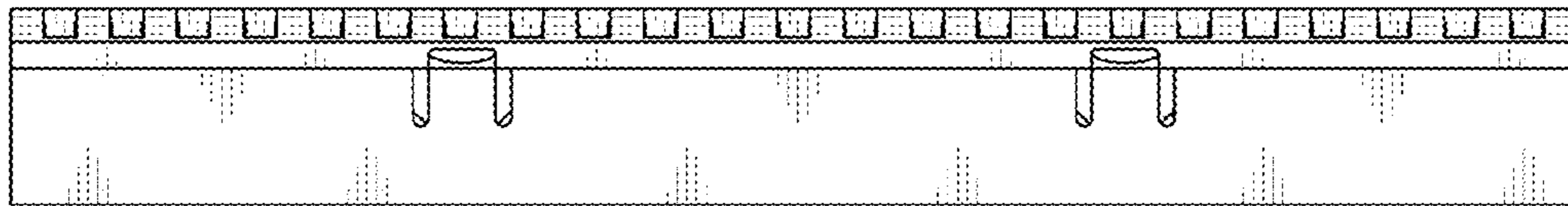


FIG. 5

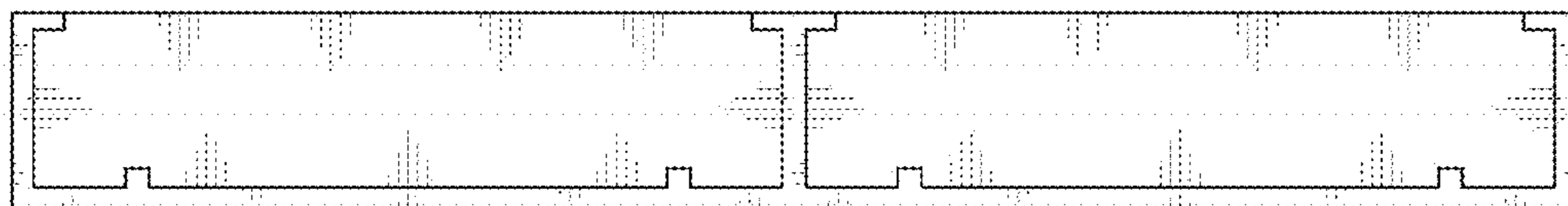


FIG. 6

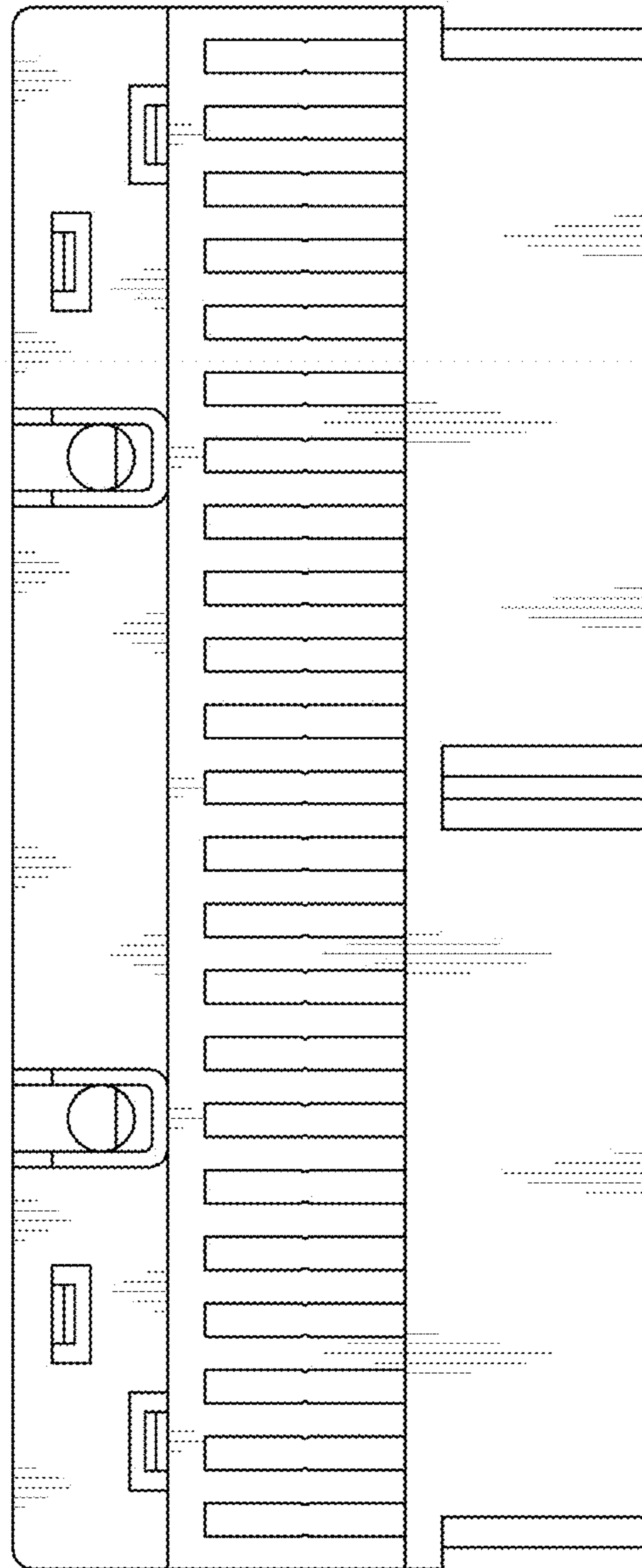


FIG. 7

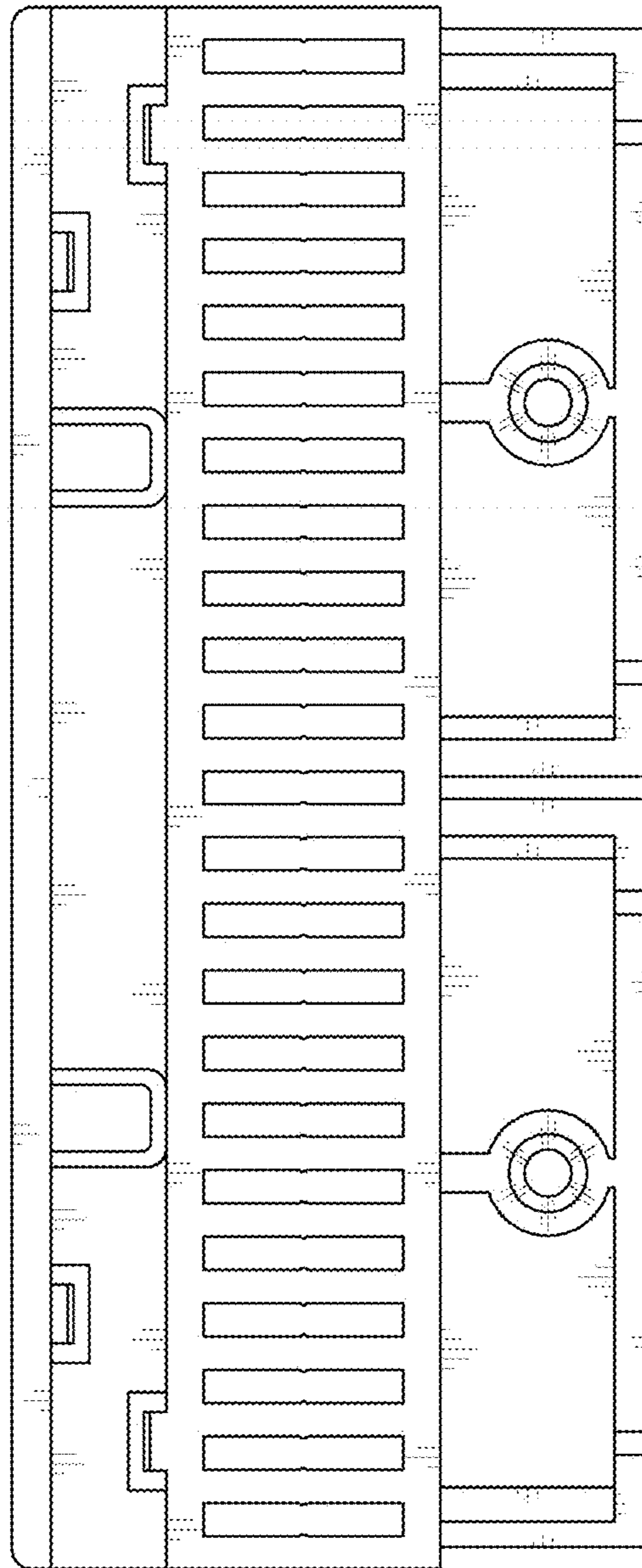


FIG. 8

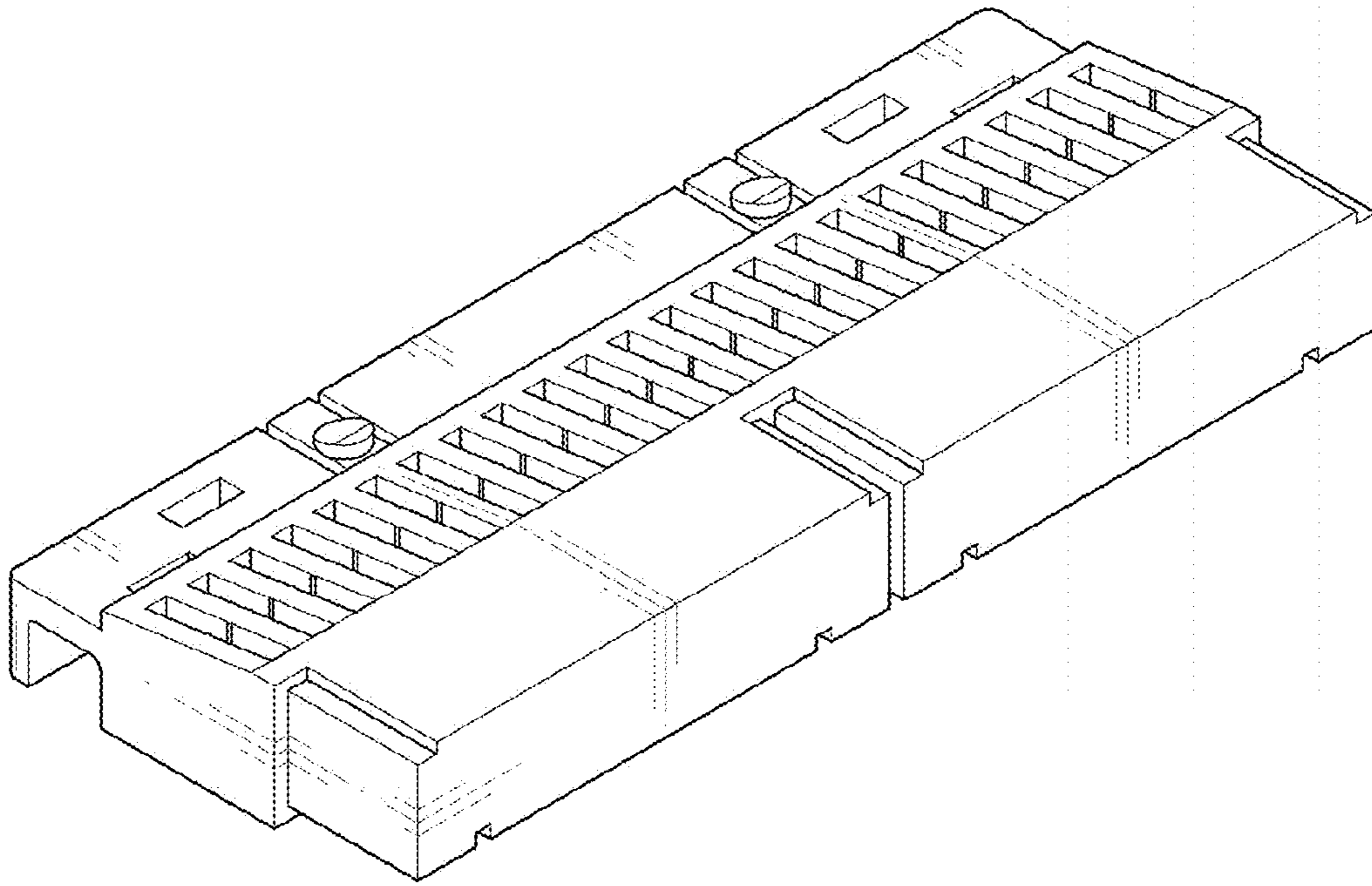


FIG. 9

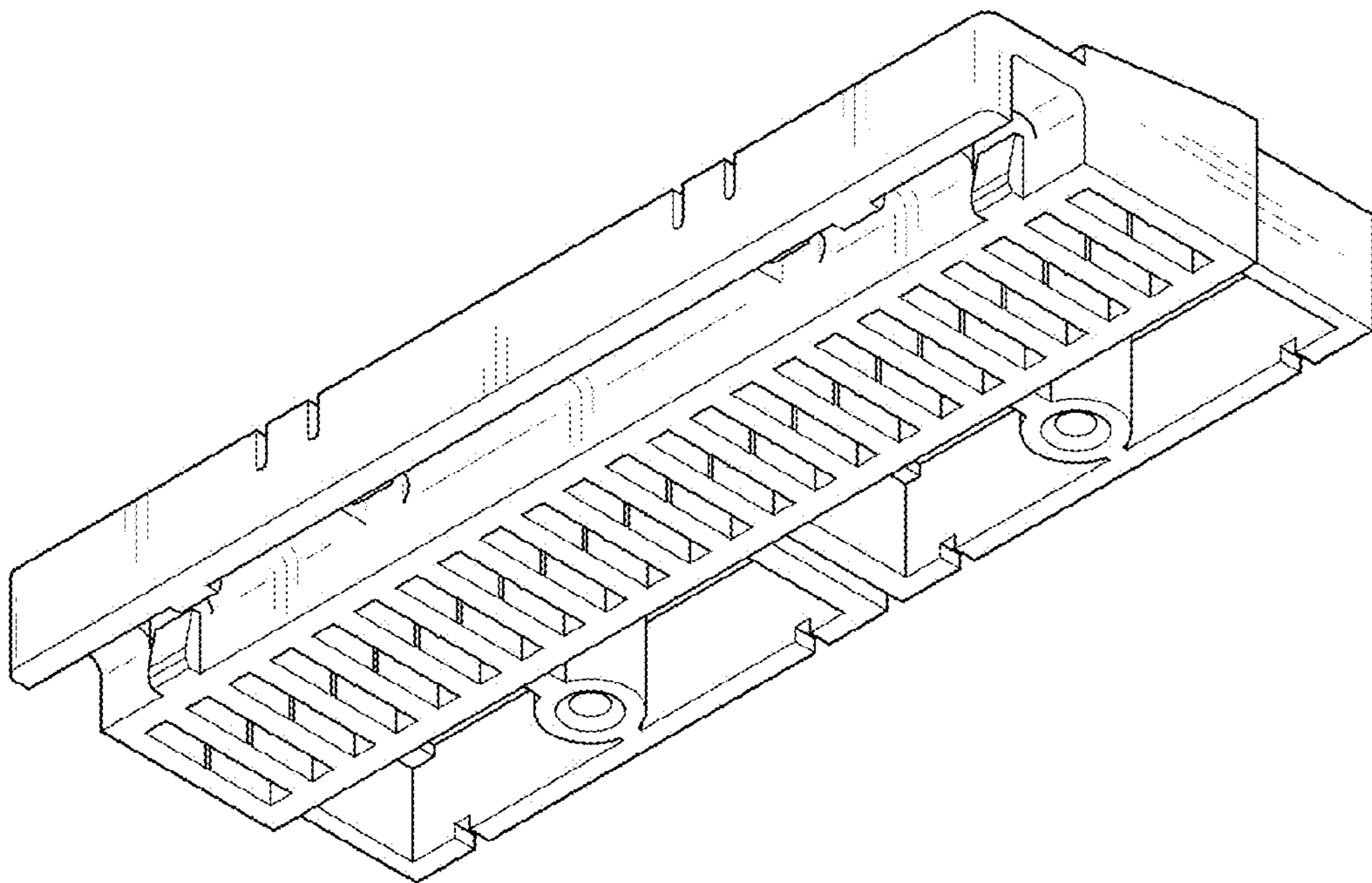


FIG. 10

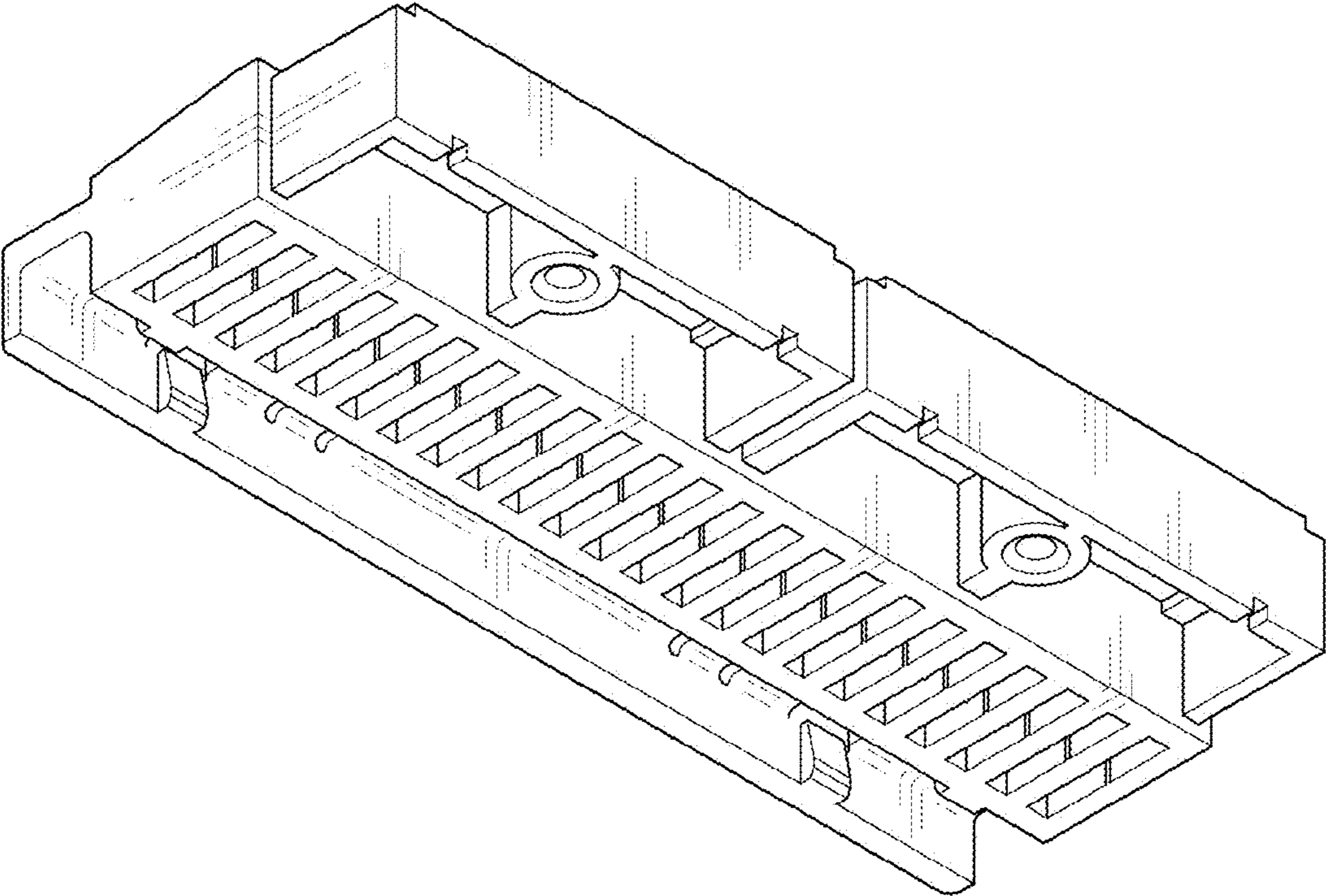


FIG. 11

