



US00D705582S

(12) **United States Design Patent**
Hayes

(10) **Patent No.:** **US D705,582 S**
(45) **Date of Patent:** **** May 27, 2014**

- (54) **FRAMED BOARD FOR JEWELRY**
- (75) Inventor: **Destiny Hayes**, Plano, TX (US)
- (73) Assignee: **Destiny Hayes**, Plano, TX (US)
- (**) Term: **14 Years**
- (21) Appl. No.: **29/409,407**
- (22) Filed: **Dec. 22, 2011**
- (51) **LOC (10) Cl.** **06-06**
- (52) **U.S. Cl.**
USPC **D6/675.1**
- (58) **Field of Classification Search**
USPC D6/466-470, 436, 559, 573, 672, 675,
D6/675.1; 206/769-771, 776-777, 235,
206/6.1; 312/114, 126-130, 204, 245;
428/13
See application file for complete search history.

5,671,849 A	9/1997	Bacon	
D404,225 S	1/1999	Mercer	
D412,063 S	7/1999	Thompson	
D416,736 S	11/1999	Bergin	
D436,727 S *	1/2001	Hsu	D3/294
D441,223 S *	5/2001	Reeves et al.	D6/470
D444,947 S *	7/2001	Nelson	D3/294
D446,668 S	8/2001	Gohman et al.	
D525,030 S *	7/2006	Farmer	D3/271.5
D559,559 S *	1/2008	Butcher	D6/309
D601,798 S *	10/2009	Hsu	D3/295
D645,283 S *	9/2011	Kiska	D6/509
D690,867 S *	10/2013	Mayfield, III	D26/74

* cited by examiner

Primary Examiner — Kelley Donnelly

(74) *Attorney, Agent, or Firm* — Sheri Higgins Law; Sheri Higgins

(57) **CLAIM**

The ornamental design for a framed board for jewelry, as shown and described.

DESCRIPTION

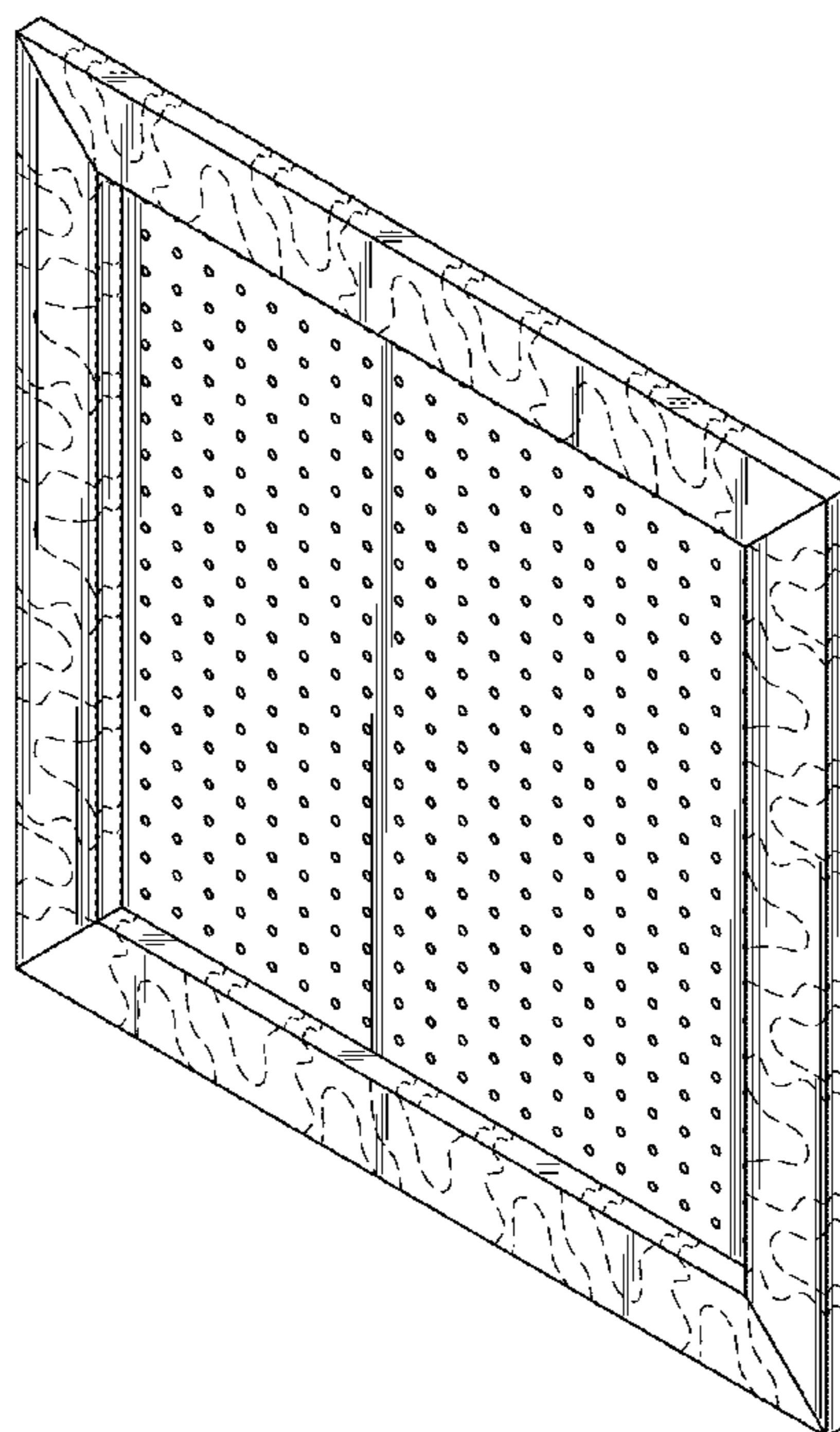
FIG. 1 is a perspective view of a framed board for jewelry showing my new design; FIG. 2 is a front view thereof; FIG. 3 is a top view thereof; the left and right side views being a mirror image; and, FIG. 4 is a back view thereof. The broken lines showing are for the purposes of illustrating the environment of the article only and form no part of the claimed design.

1 Claim, 3 Drawing Sheets

(56) **References Cited**

U.S. PATENT DOCUMENTS

4,420,084 A	12/1983	Whelan	
4,848,585 A *	7/1989	Snyder	206/566
4,905,821 A	3/1990	Corbett	
D316,346 S	4/1991	Jackson et al.	
D318,965 S	8/1991	Bradwell et al.	
D319,749 S	9/1991	McPherson	
5,050,745 A	9/1991	Sanders	
5,141,300 A *	8/1992	Ciesla	312/204
D335,768 S *	5/1993	Romo	D3/295
5,253,750 A	10/1993	Keffer	
5,419,063 A	5/1995	Lane	
D382,731 S *	8/1997	Martin	D6/469



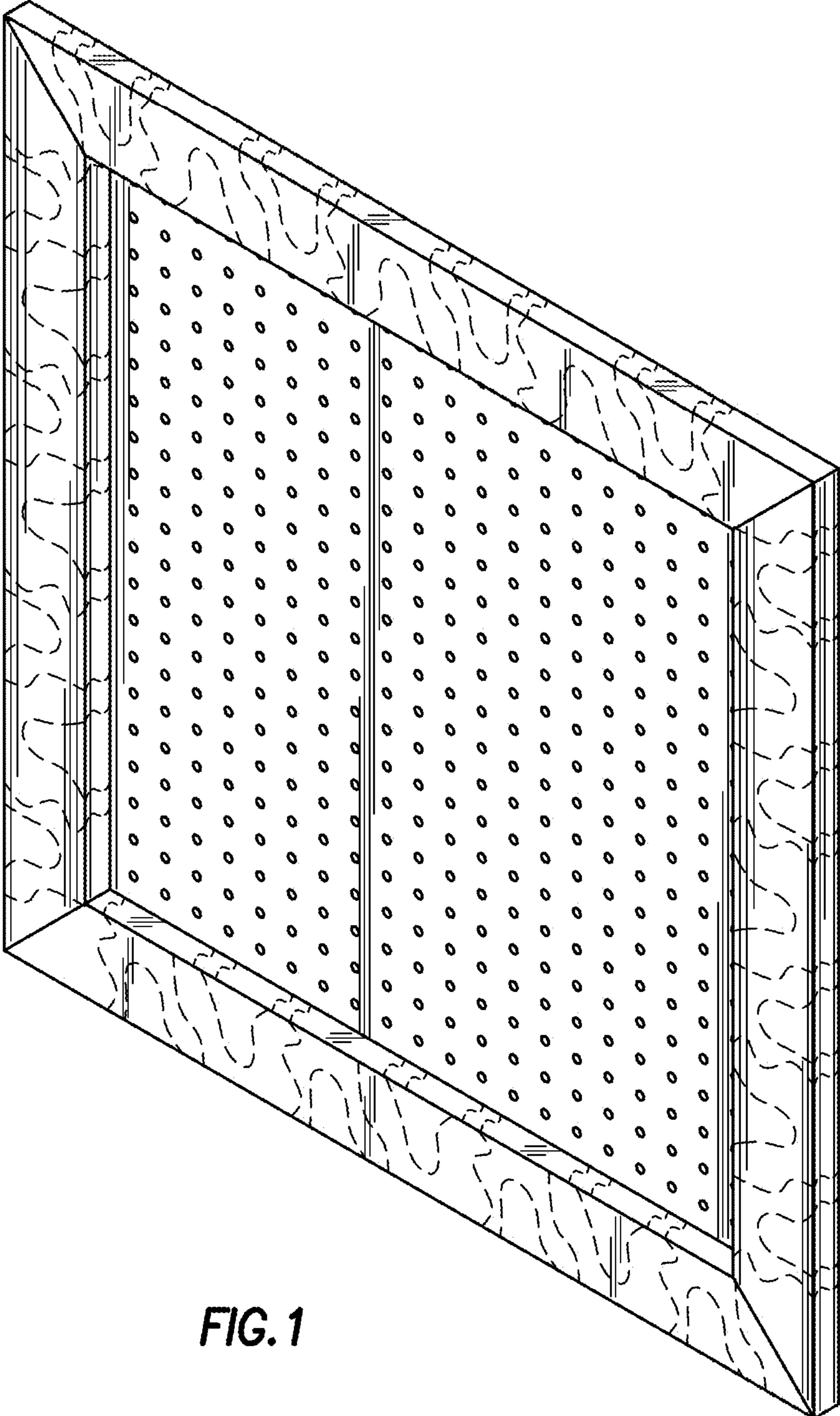


FIG. 1

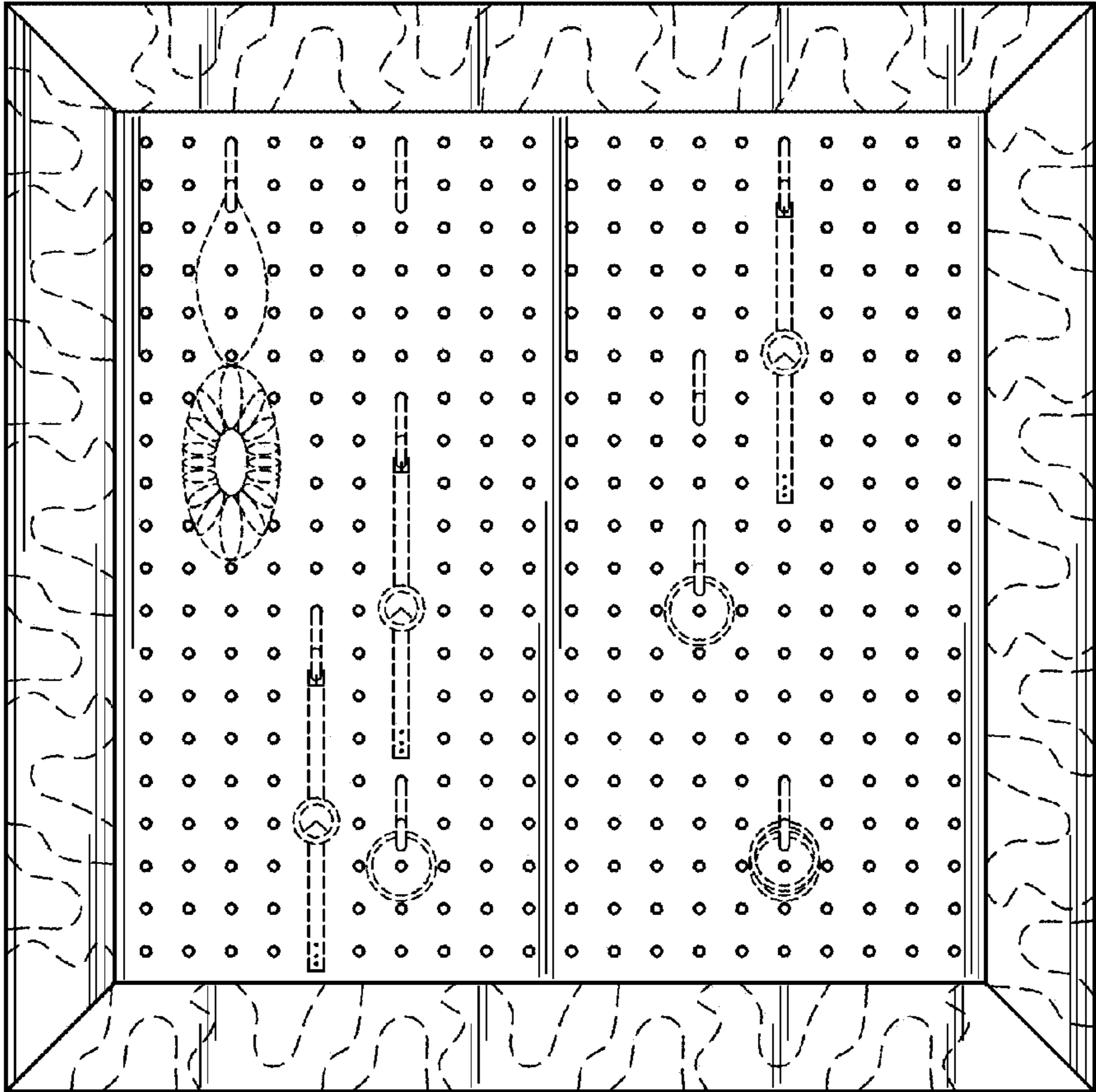


FIG. 2

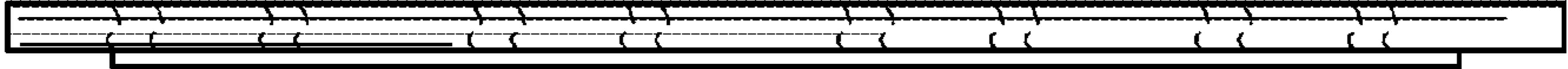


FIG. 3

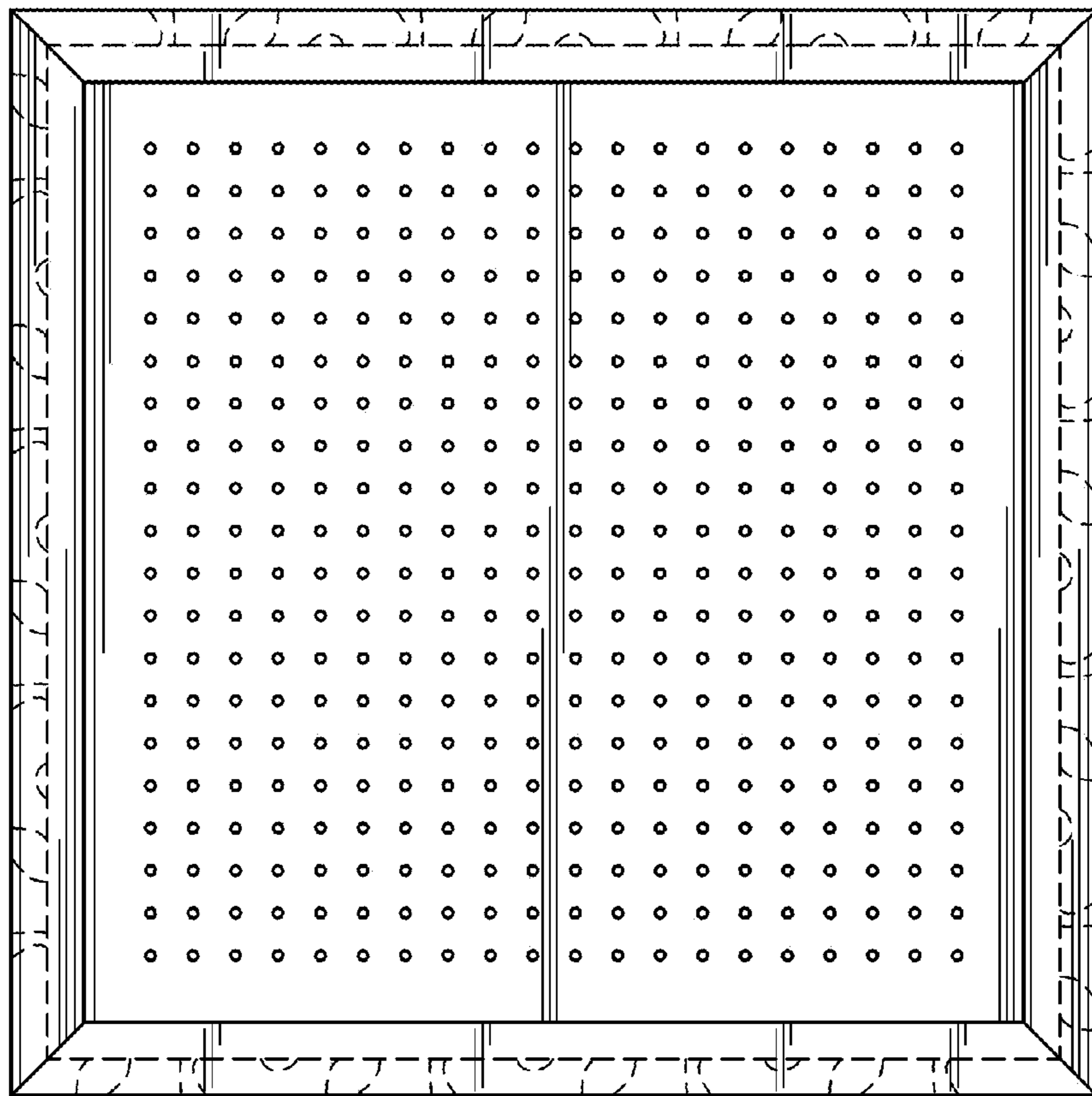


FIG.4