



US00D705578S

(12) **United States Design Patent**
Schraufnagel et al.

(10) **Patent No.:** **US D705,578 S**

(45) **Date of Patent:** **** May 27, 2014**

(54) **WALL MOUNTED STORAGE ASSEMBLY**

(56) **References Cited**

(71) Applicant: **Liberty Hardware Mfg. Corp.**,
Winston-Salem, NC (US)

U.S. PATENT DOCUMENTS

(72) Inventors: **Natalie A. Schraufnagel**, Chicago, IL
(US); **Adam W. Callif**, Chicago, IL (US)

D553,408 S *	10/2007	Kubota	D6/553
D607,607 S *	1/2010	Russell	D6/567
D636,198 S *	4/2011	Gibbs	D6/567
D642,842 S *	8/2011	Stoeckler	D6/572

(73) Assignee: **Liberty Hardware Mfg. Corp.**,
Winston-Salem, NC (US)

* cited by examiner

(**) Term: **14 Years**

Primary Examiner — Brian N Vinson

(21) Appl. No.: **29/472,289**

(74) *Attorney, Agent, or Firm* — Lora J. Graentzdoerffer

(22) Filed: **Nov. 11, 2013**

(51) **LOC (10) Cl.** **06-04**

(57) **CLAIM**

The ornamental design for a wall mounted storage assembly,
as shown and described.

(52) **U.S. Cl.**

DESCRIPTION

USPC **D6/572**

(58) **Field of Classification Search**

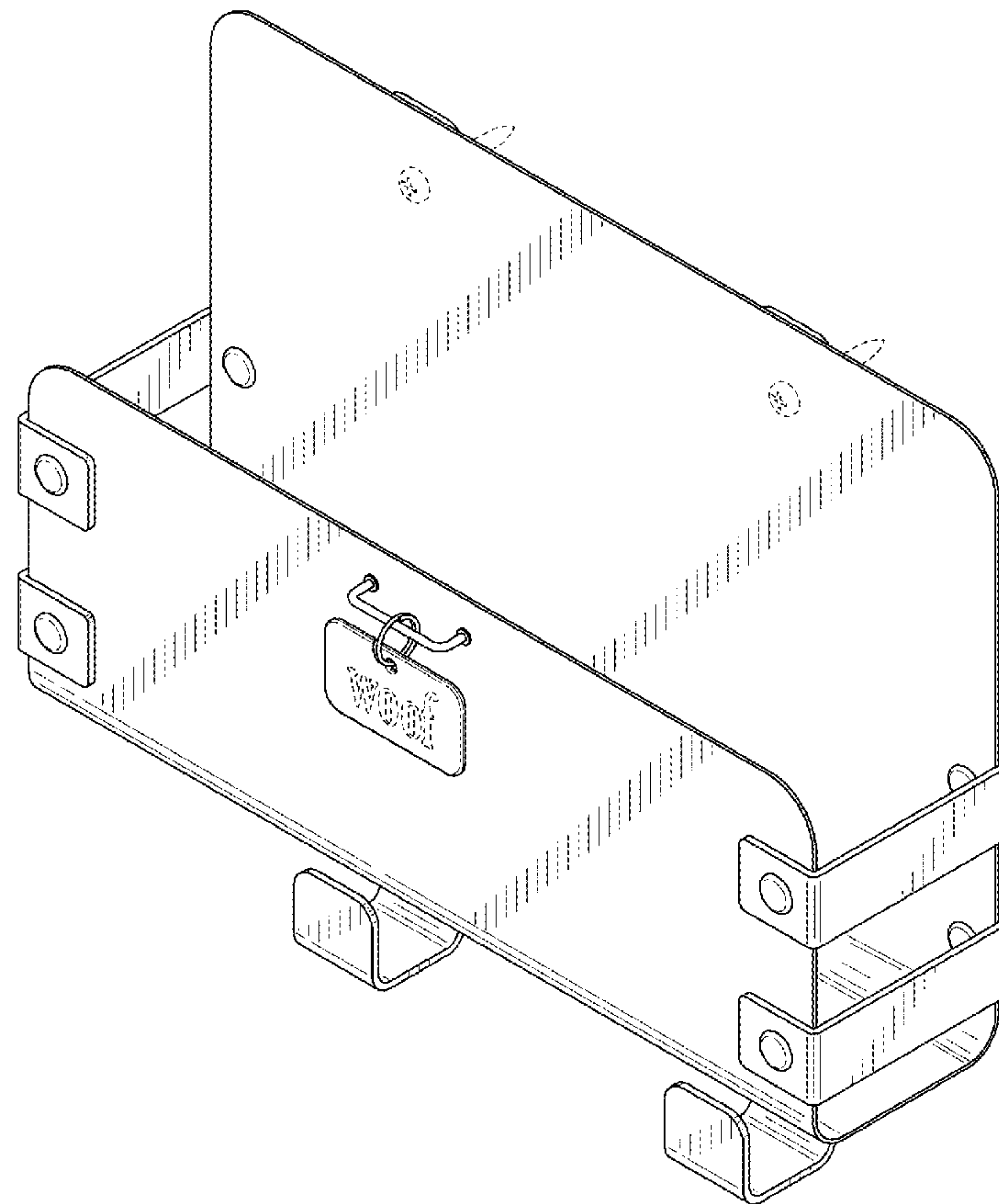
USPC D6/512–514, 552, 553, 556, 567,
D6/571–572; D8/349, 354, 367, 373, 380,
D8/381; D28/73, 86; D19/75, 77, 81, 100;
108/33, 42; 211/13.1, 10, 85.1, 85.3,
211/85.6, 85.9, 14, 30, 32, 41.12, 69.5,
211/70.1, 70.6, 70.7, 60.1, 71.01, 72, 74,
211/75, 86.01, 87.01, 88.04, 134, 135;
248/37.3, 49, 200, 251, 300, 309.1,
248/311.2, 314, 694, 902, 907

FIG. 1 is a perspective view thereof;
FIG. 2 is a front elevational view thereof;
FIG. 3 is a left side elevational view thereof;
FIG. 4 is a right side elevational view thereof;
FIG. 5 is a top plan view thereof; and,
FIG. 6 is a bottom plan view thereof.

The broken-line disclosure in the views represents portions of
the article in which the claimed design is embodied, but which
form no part of the claimed design.

See application file for complete search history.

1 Claim, 4 Drawing Sheets



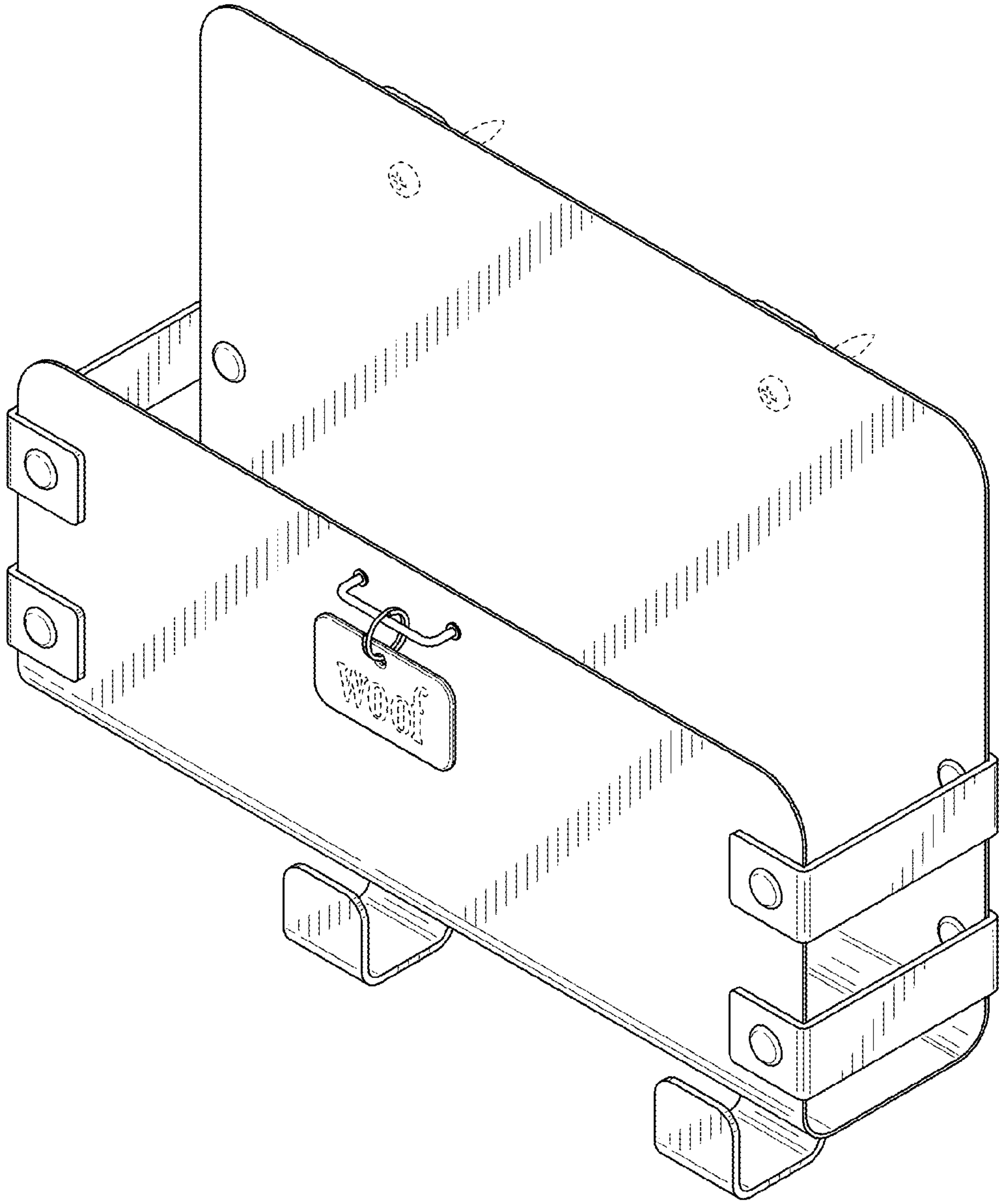


FIG. 1

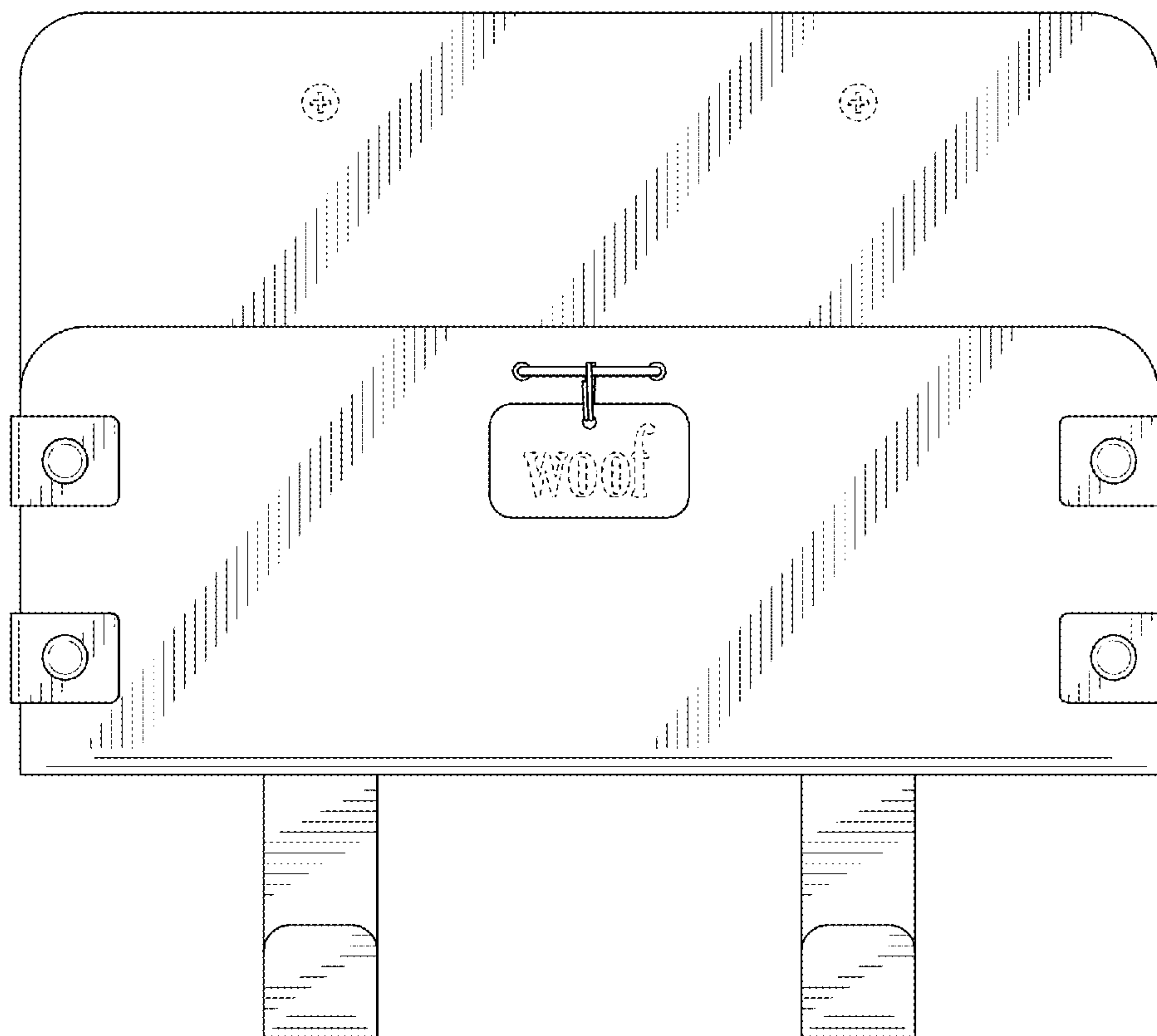


FIG. 2

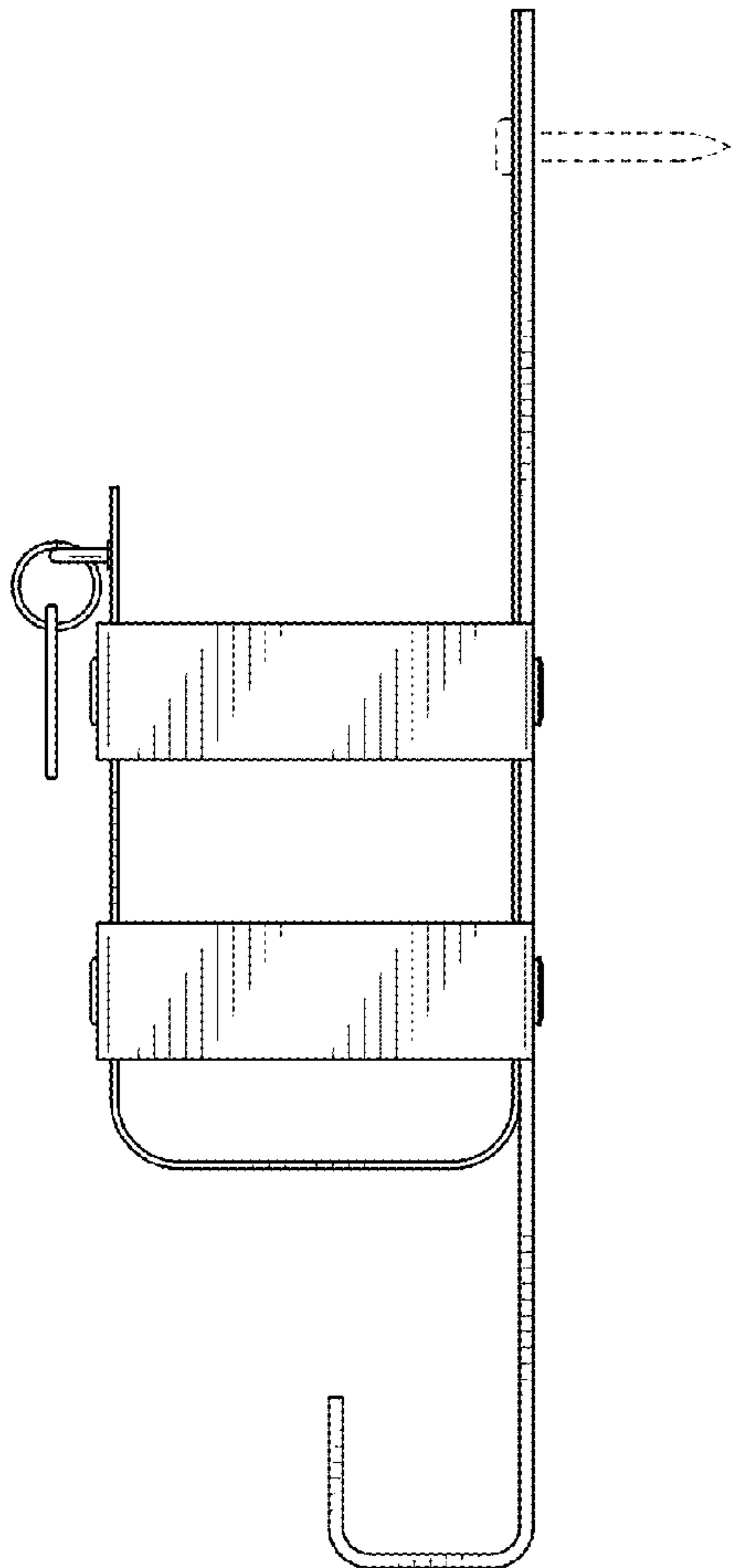


FIG. 3

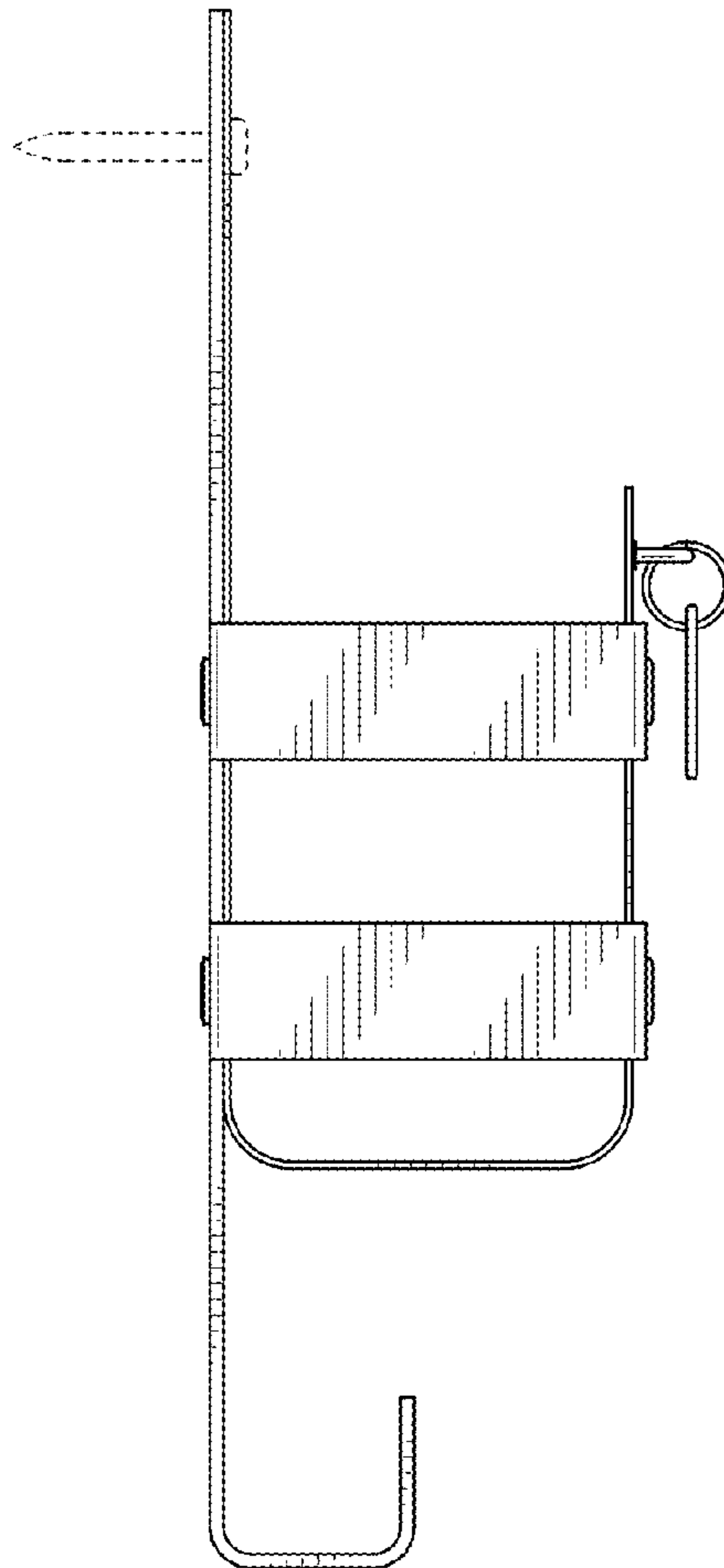


FIG. 4

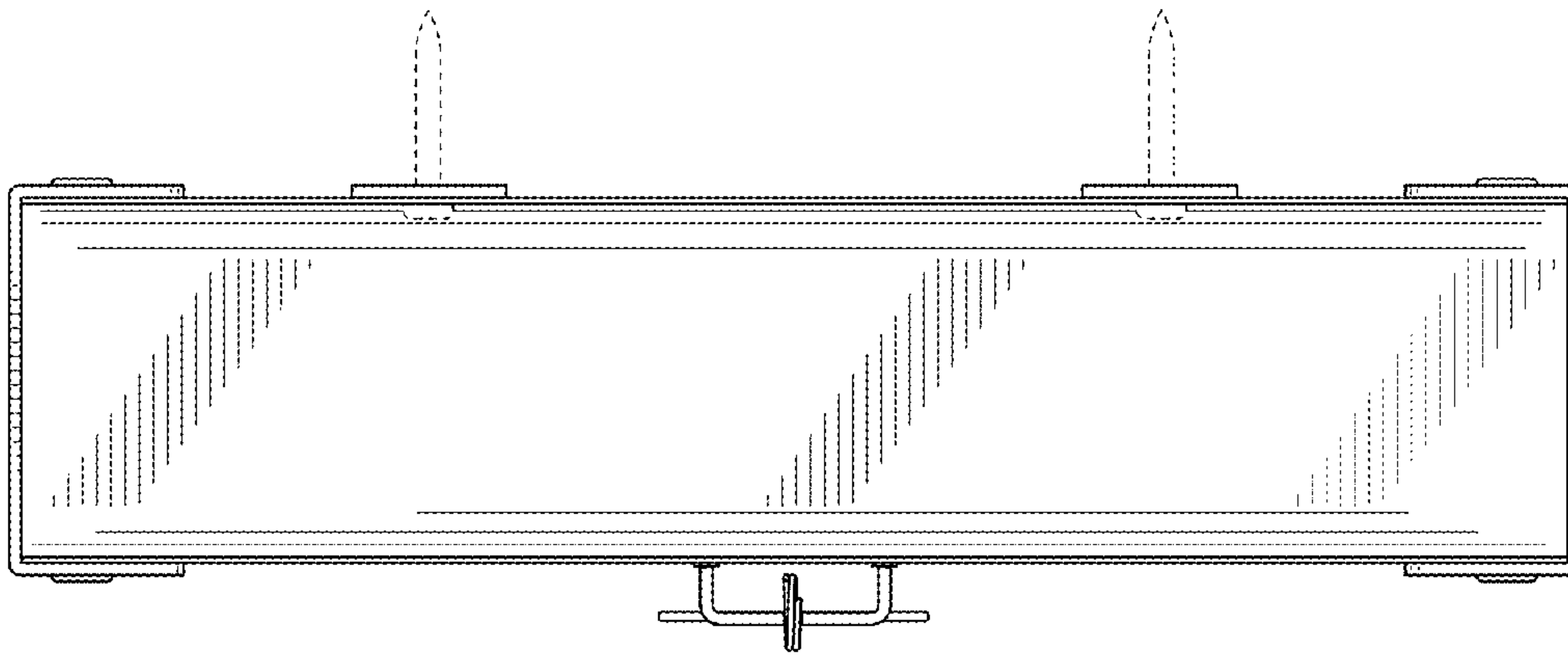


FIG. 5

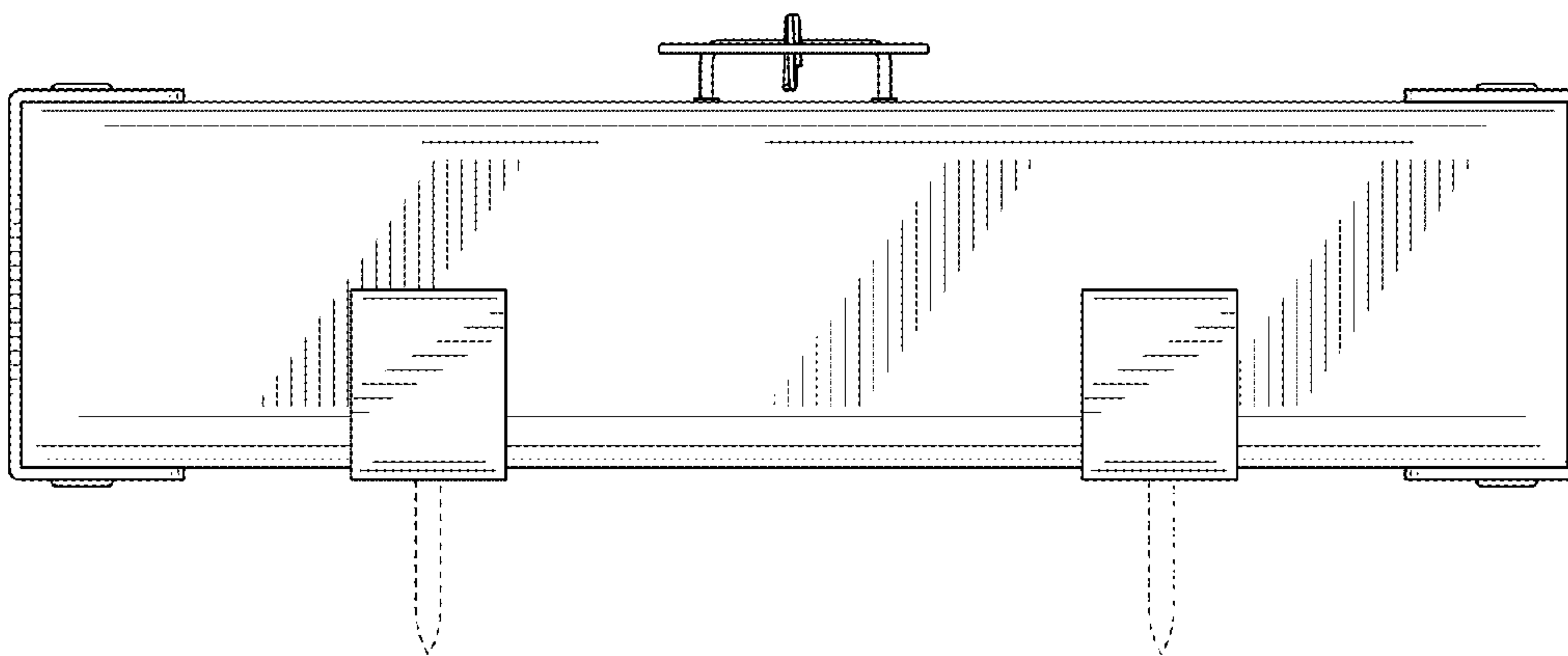


FIG. 6