



US00D705576S

(12) **United States Design Patent**
Tsai

(10) **Patent No.:** **US D705,576 S**

(45) **Date of Patent:** **** May 27, 2014**

(54) **WALL-MOUNTED POT LID RACK**

(71) Applicant: **Tsung-Yu Tsai**, Changhua (TW)

(72) Inventor: **Tsung-Yu Tsai**, Changhua (TW)

(**) Term: **14 Years**

(21) Appl. No.: **29/462,257**

(22) Filed: **Jul. 31, 2013**

(51) **LOC (10) Cl.** **06-04**

(52) **U.S. Cl.**
USPC **D6/566**

(58) **Field of Classification Search**
USPC D6/396–397, 462, 464, 465, 477–479,
D6/474, 537, 562, 566–567, 574;
D3/304–306; 211/13.1, 85.3, 86.01,
211/87.01, 90.01, 90.03, 134, 153, 181.1,
211/188; 248/153, 235, 243; 108/91–93,
108/107, 144.11, 149

See application file for complete search history.

(56) **References Cited**

U.S. PATENT DOCUMENTS

1,800,646	A *	4/1931	Kottke	D6/566
D191,671	S *	10/1961	Kaplan	D6/566
4,143,845	A *	3/1979	Harris	D6/566
D291,756	S *	9/1987	Chap	D6/566
4,850,556	A *	7/1989	Otani et al.	D6/566
D416,157	S *	11/1999	Akins	D6/566
D572,939	S *	7/2008	Murray	D6/566

* cited by examiner

Primary Examiner — Brian N Vinson

(74) *Attorney, Agent, or Firm* — QuickPatents; Kevin Prince

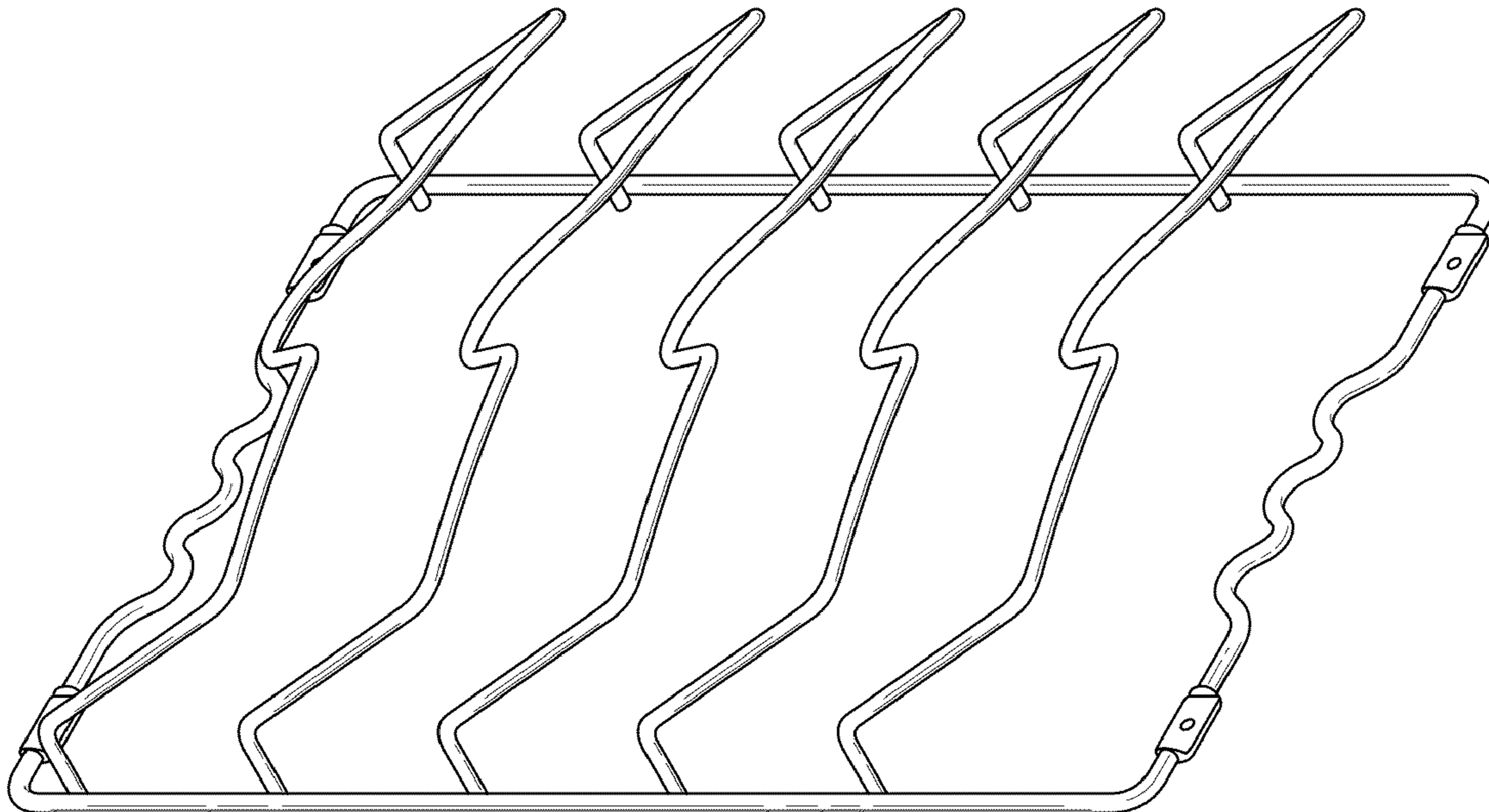
(57) **CLAIM**

I claim the ornamental design for a wall-mounted pot lid rack, as shown and described.

DESCRIPTION

FIG. 1 is a perspective view of a wall-mounted pot lid rack, showing my new design;
FIG. 2 is a top plan view thereof;
FIG. 3 is a bottom plan view thereof;
FIG. 4 is a left-side elevational view thereof, the right-side elevational view being a mirror image thereof;
FIG. 5 is a front elevational view thereof; and,
FIG. 6 is a rear elevational view thereof.

1 Claim, 3 Drawing Sheets



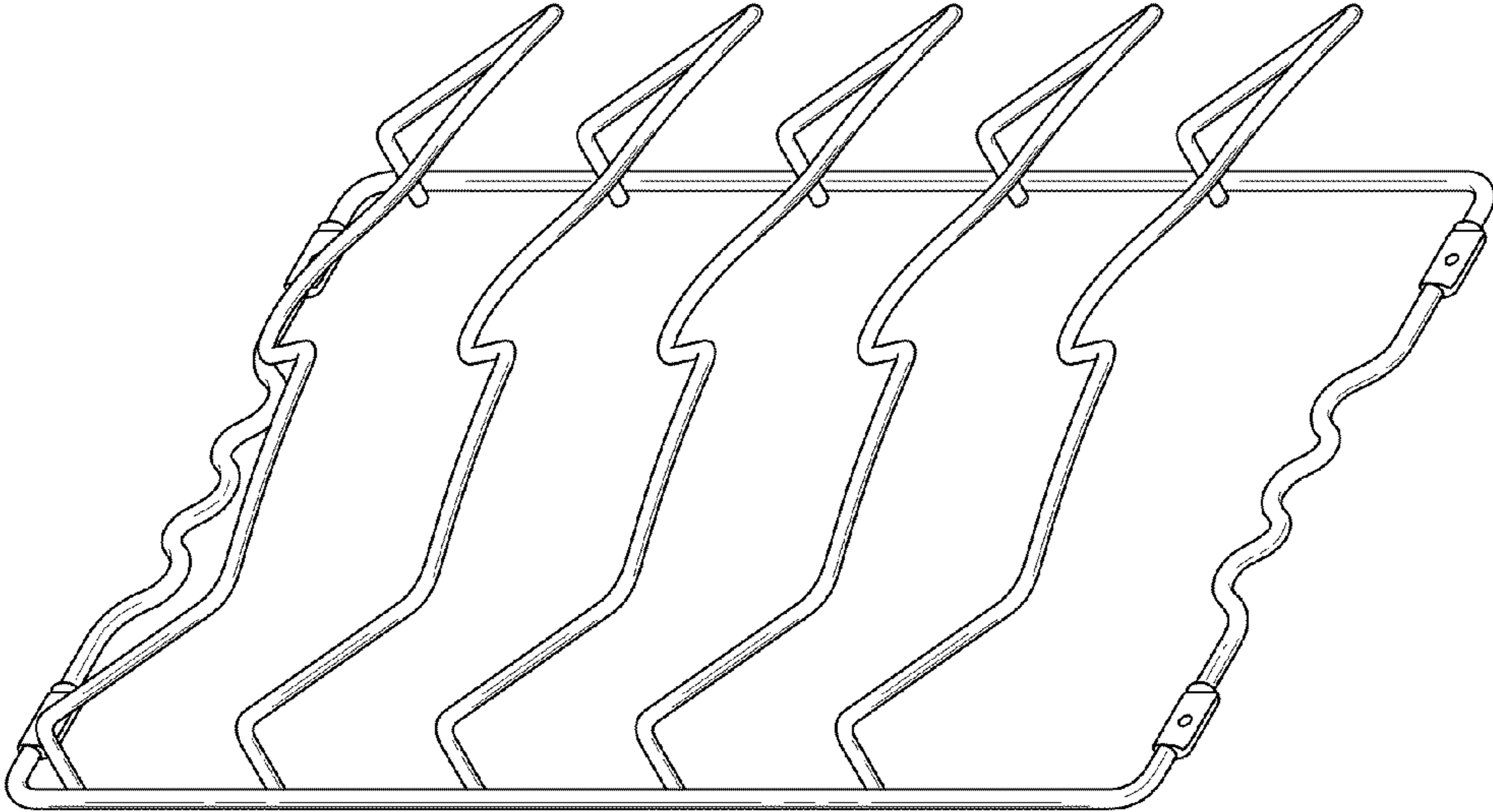


FIG. 1

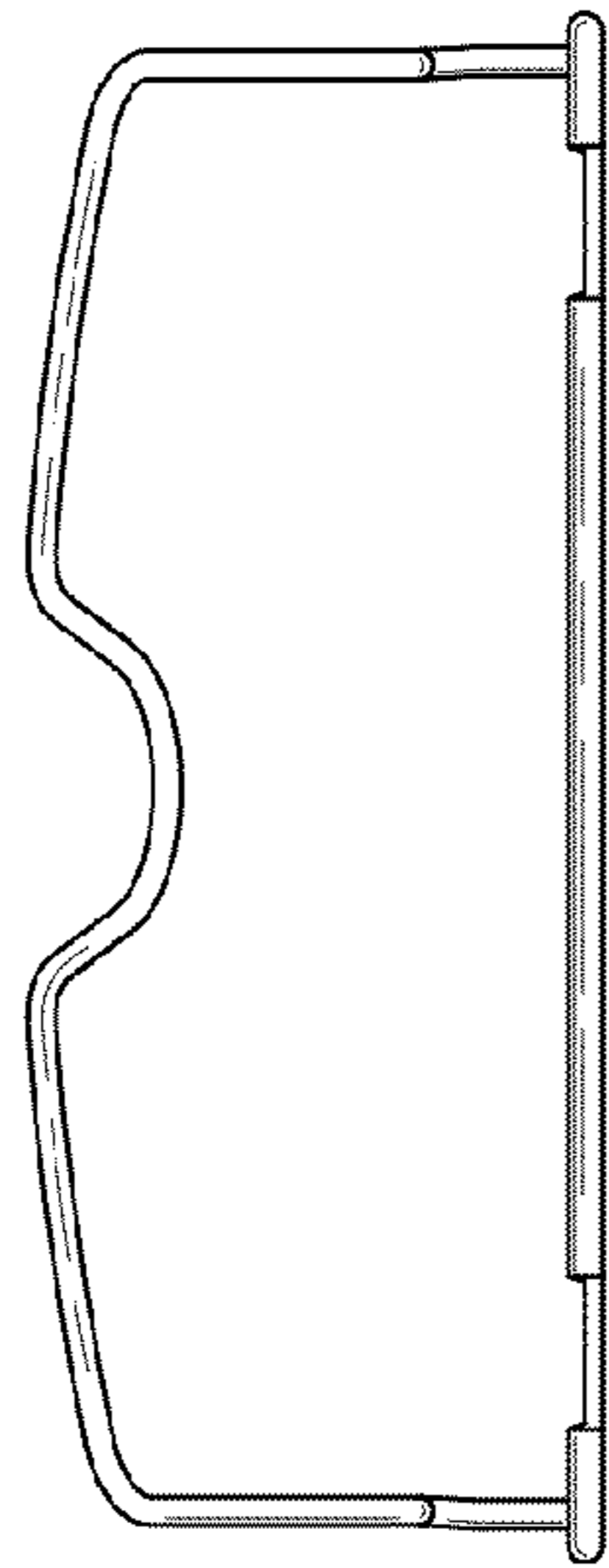


FIG. 2

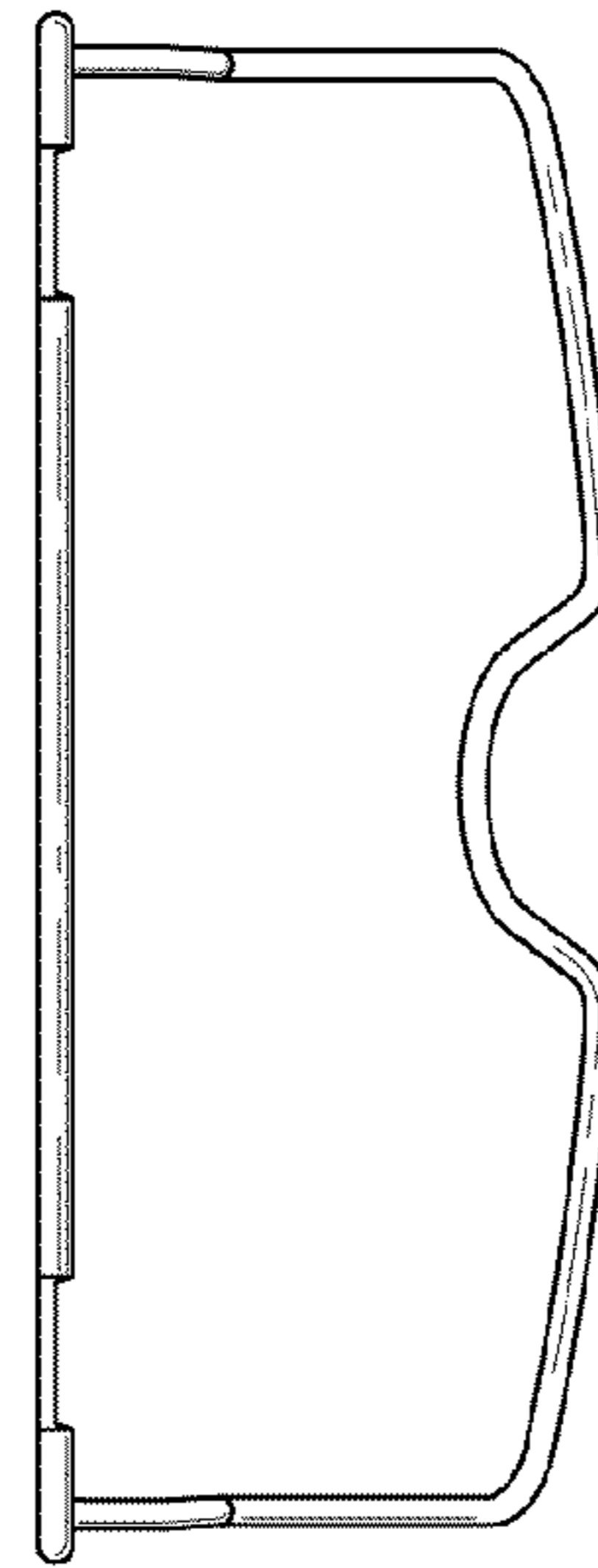


FIG. 3

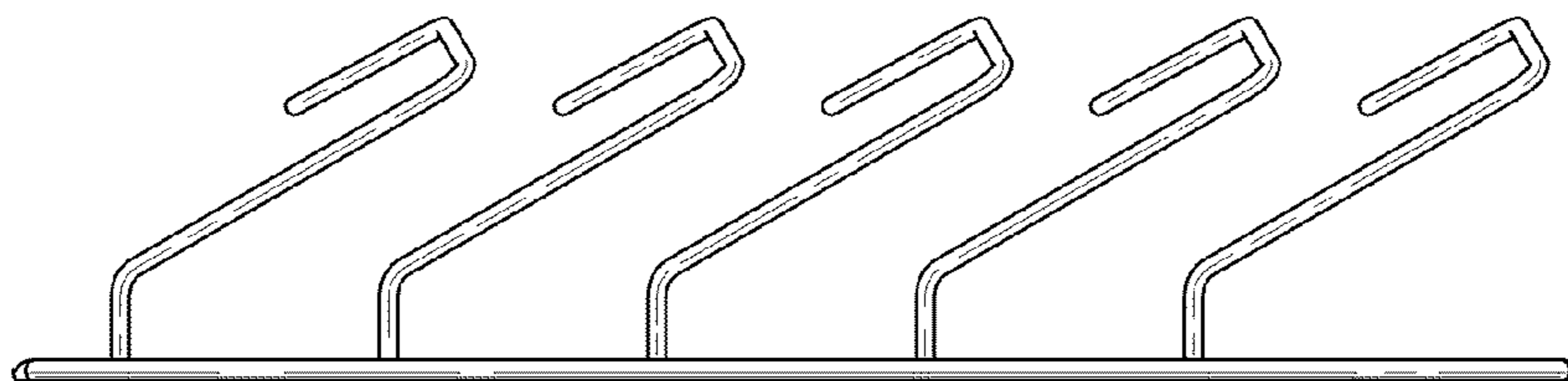


FIG. 4

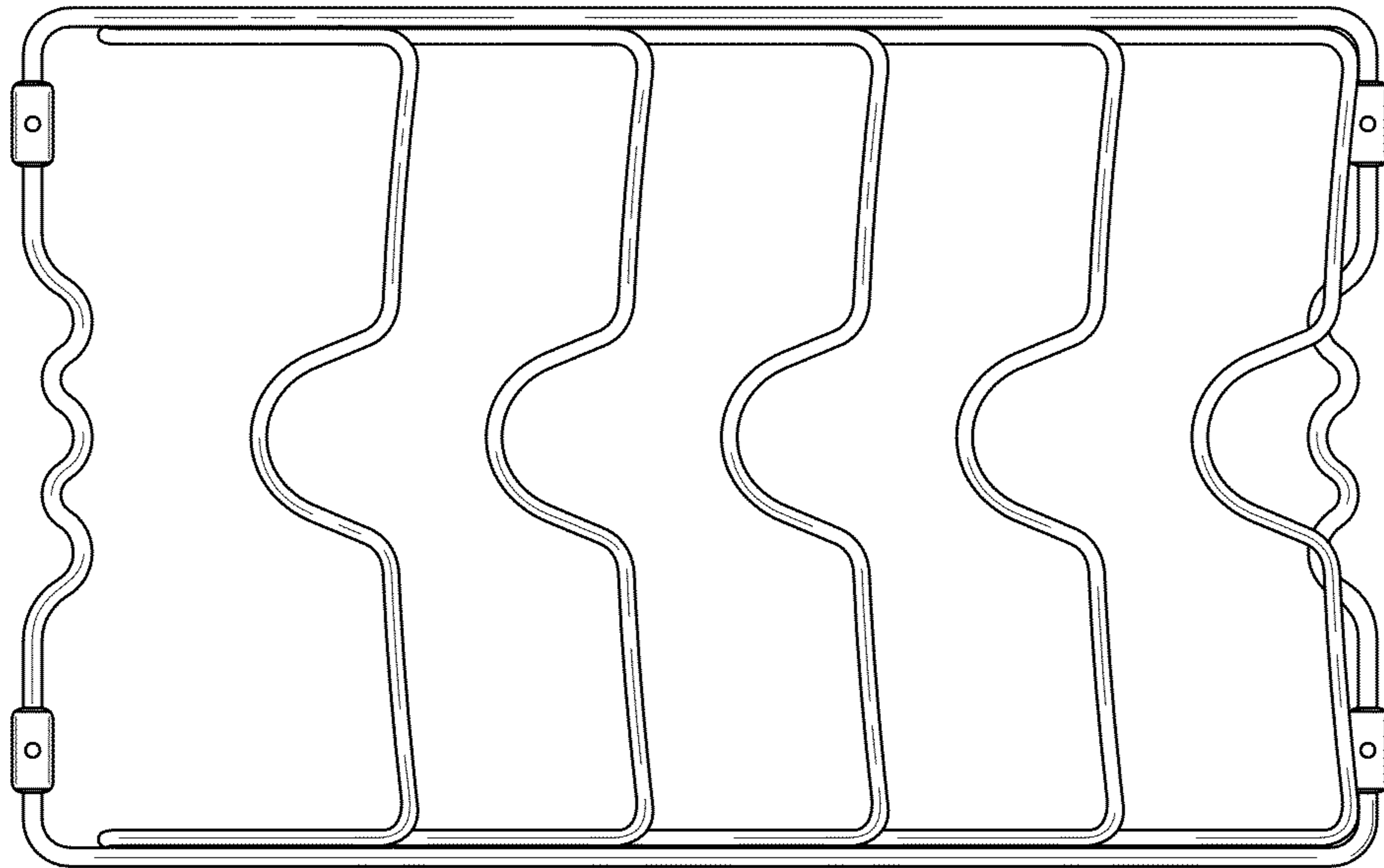


FIG. 5

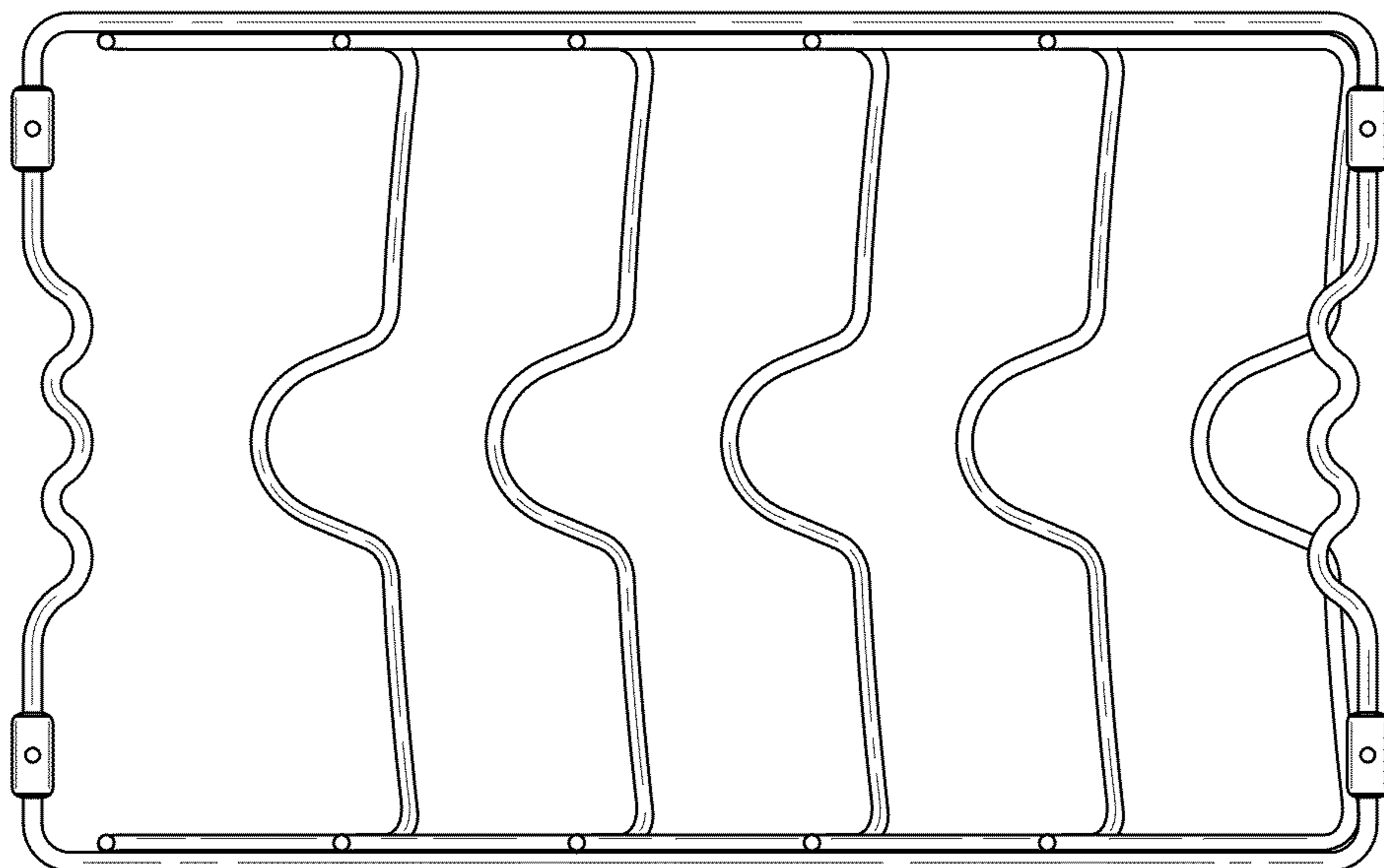


FIG. 6