



US00D705575S

(12) **United States Design Patent**
Snider

(10) **Patent No.:** **US D705,575 S**

(45) **Date of Patent:** **** May 27, 2014**

(54) **ADJUSTABLE SUPPORT FOR BATHROOM SHELF**

(71) Applicant: **MSA Products, Inc.**, Nyack, NY (US)

(72) Inventor: **Martin Snider**, New City, NY (US)

(73) Assignee: **MSA Products, Inc.**, Nyack, NY (US)

(**) Term: **14 Years**

(21) Appl. No.: **29/440,929**

(22) Filed: **Dec. 28, 2012**

(51) **LOC (10) Cl.** **06-04**

(52) **U.S. Cl.**
USPC **D6/566**

(58) **Field of Classification Search**
USPC D6/524, 525, 566, 536, 540, 562;
211/13.1, 74, 71.01, 86.01, 75, 88.01,
211/90.01, 90.03, 106, 119, 126.1, 133.5,
211/181.1, 134; D8/349, 367, 354, 4
See application file for complete search history.

(56) **References Cited**

U.S. PATENT DOCUMENTS

2,641,079	A	6/1953	Oster	
2,964,200	A *	12/1960	King	D6/566
3,064,933	A	11/1962	Brasty	
3,203,658	A	8/1965	Brown	
3,220,682	A	11/1965	Hannon	
3,381,824	A	5/1968	Blumenschein	
3,504,108	A	3/1970	Kihs	
3,669,394	A	6/1972	Loucks	
3,993,934	A	11/1976	Baker et al.	
D251,579	S *	4/1979	Calgaro	D6/566

5,476,240	A	12/1995	McDonough	
5,651,521	A	7/1997	Aberg	
5,855,286	A	1/1999	Zaid	
D406,960	S	3/1999	Zaid	
D417,991	S *	12/1999	Hofman et al.	D6/566
D437,164	S *	2/2001	Fickett	D6/566
6,974,043	B1	12/2005	Lai	
D560,924	S *	2/2008	Walker	D8/367
D641,193	S *	7/2011	Vaccaro	D6/566
D687,291	S *	8/2013	Hendricks	D8/367
D688,064	S *	8/2013	Couture	D6/562

* cited by examiner

Primary Examiner — Brian N Vinson

(74) *Attorney, Agent, or Firm* — Gerald E. Hespos; Michael J. Porco; Matthew T. Hespos

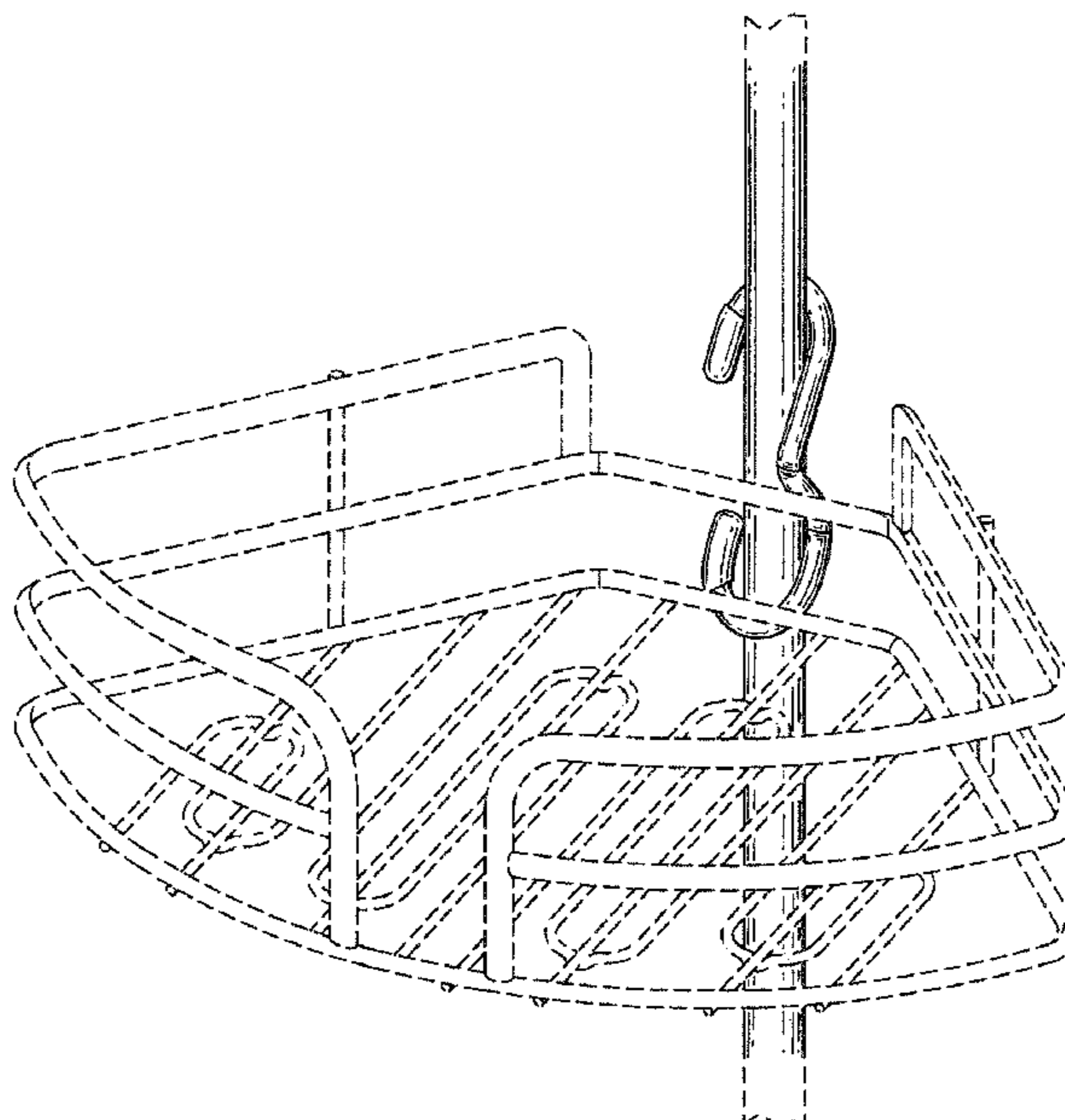
(57) **CLAIM**

The ornamental design of an adjustable support for bathroom shelf, as shown and described.

DESCRIPTION

FIG. 1 is a perspective view of an adjustable support for bathroom shelf in accordance with my design.
FIG. 2 is a top plan view thereof;
FIG. 3 is a front elevational view thereof;
FIG. 4 is a side elevational view thereof as viewed from the left side of FIG. 1;
FIG. 5 is a side elevational view thereof as viewed from the right side of FIG. 1;
FIG. 6 is a rear elevational view thereof; and,
FIG. 7 is a bottom plan view thereof.
The broken lines showing the shelf in FIGS. 1-7 are for illustrative purposes only and form no part of the claimed design.

1 Claim, 7 Drawing Sheets



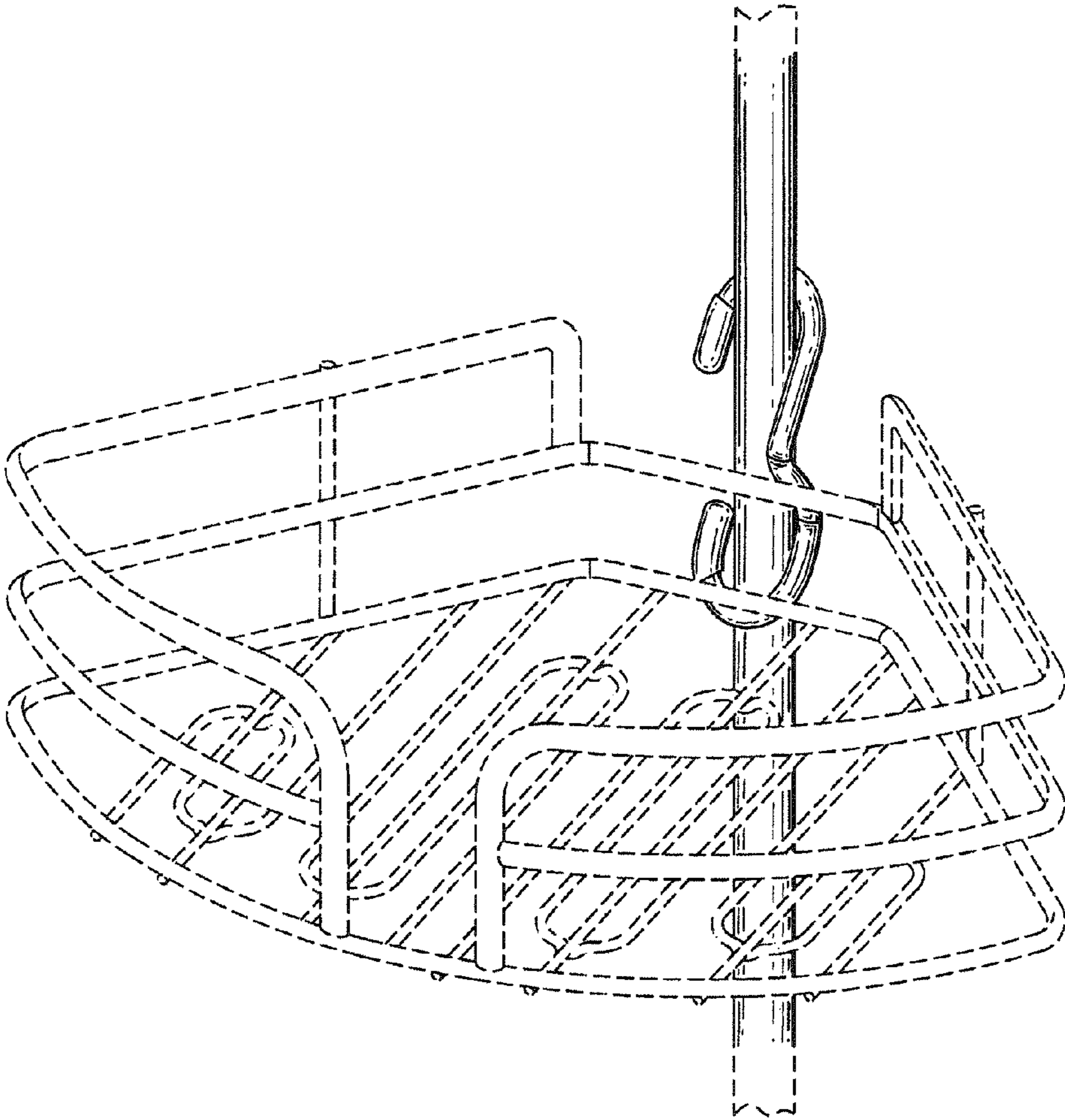


FIG. 1

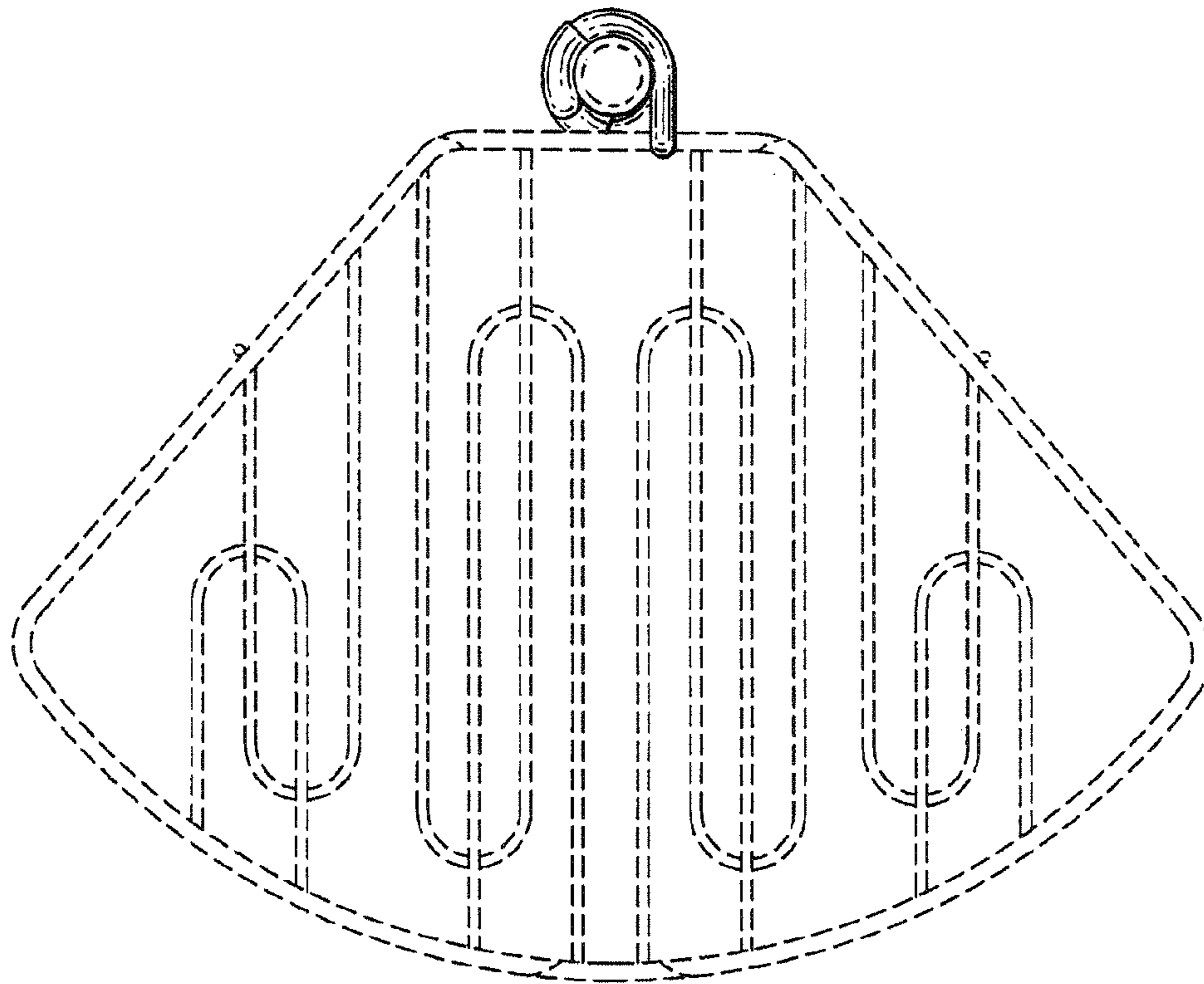


FIG. 2

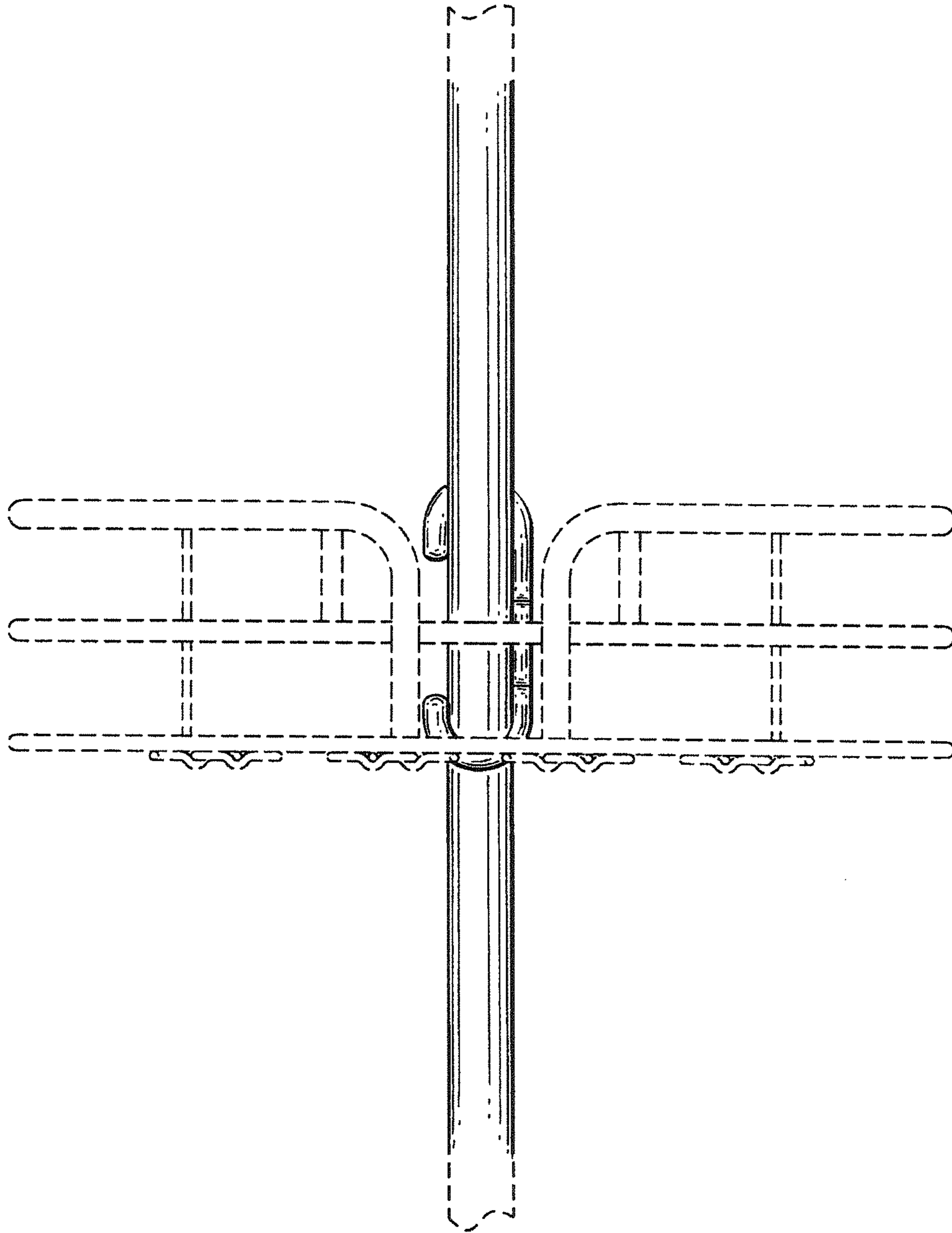


FIG.3

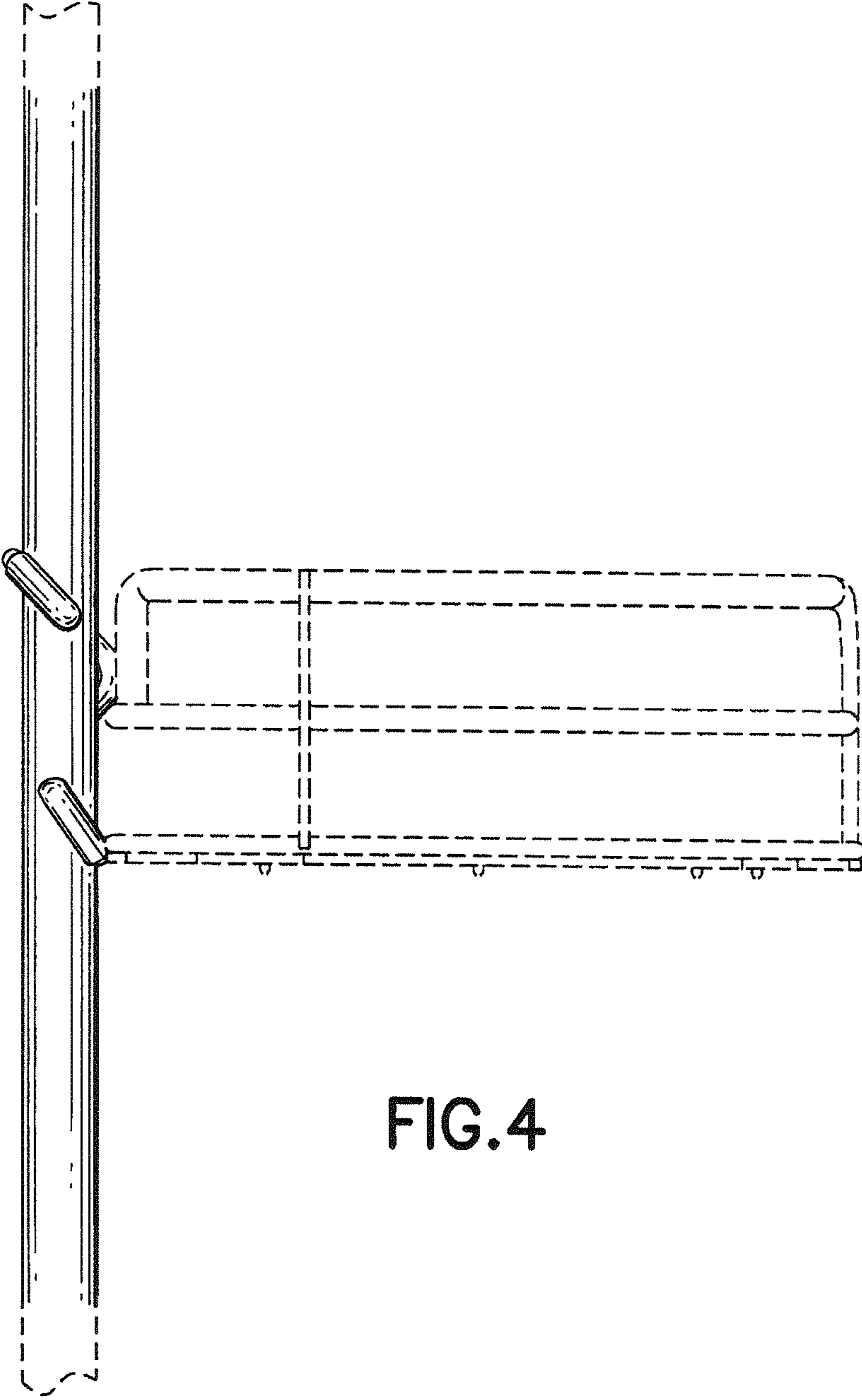


FIG. 4

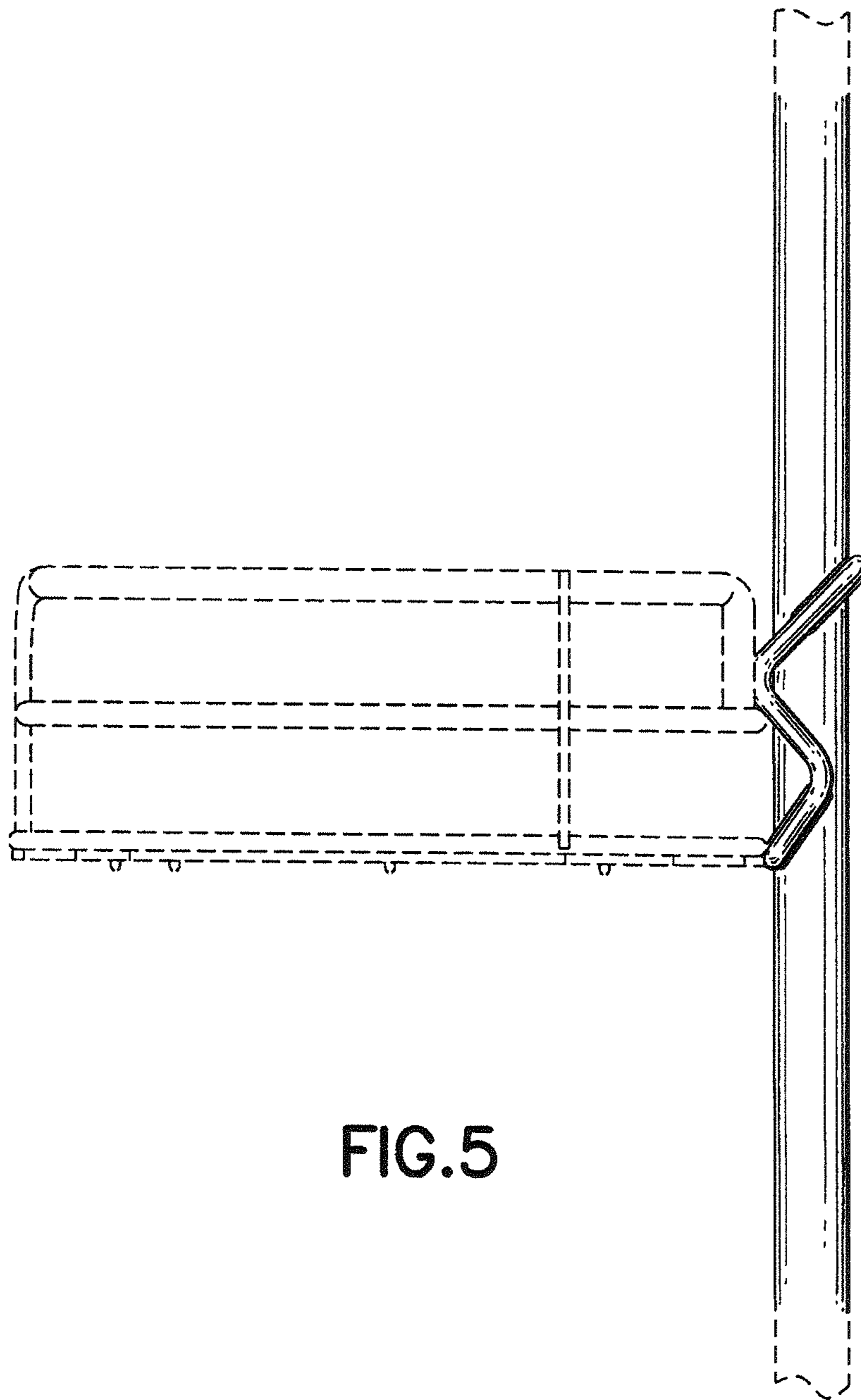


FIG. 5

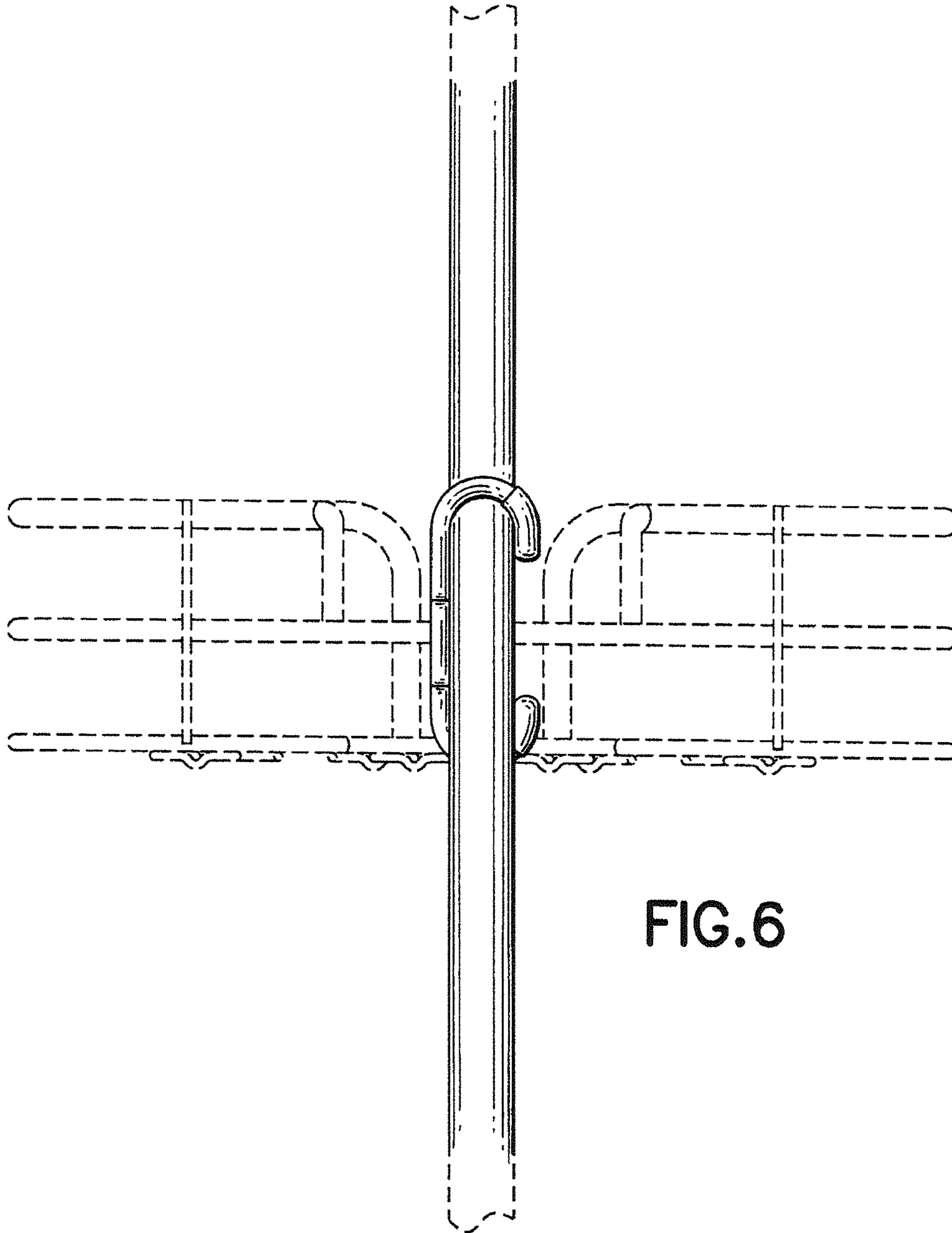


FIG.6

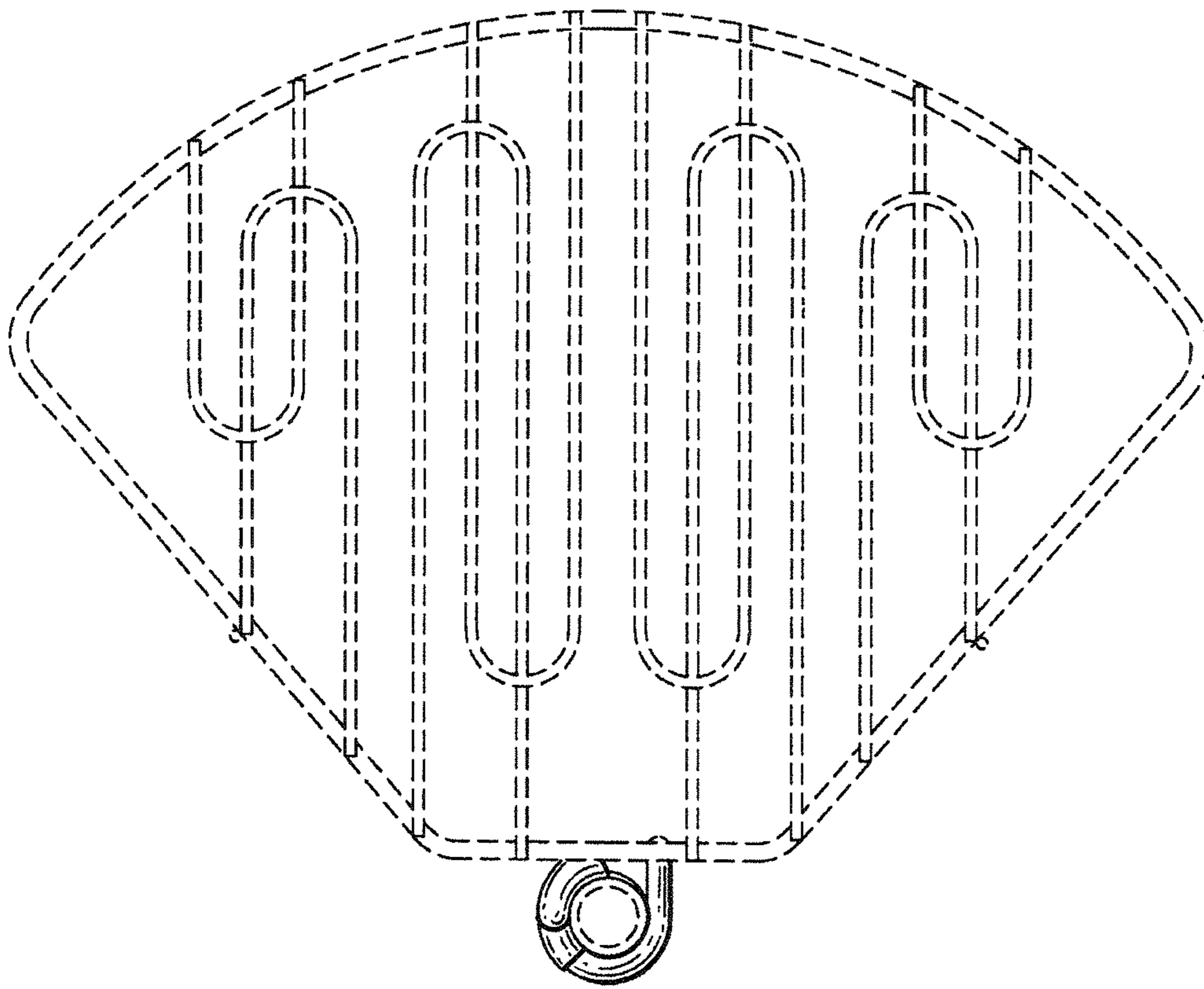


FIG.7