



US00D705573S

(12) **United States Design Patent**
Goodman et al.

(10) **Patent No.:** **US D705,573 S**
(45) **Date of Patent:** **** May 27, 2014**

- (54) **TOWEL BAR**
- (71) Applicant: **Spectrum Diversified Designs, Inc.**,
Streetsboro, OH (US)
- (72) Inventors: **Sheldon H. Goodman**, Solon, OH (US);
Phaysouk Xayoiphonh, Akron, OH (US)
- (73) Assignee: **Spectrum Diversified Designs, Inc.**,
Streetsboro, OH (US)

D240,179 S *	6/1976	Vrignaud	D6/549
D291,639 S *	9/1987	Chap	D6/549
D429,587 S *	8/2000	Chen	D6/549
D431,140 S *	9/2000	Kuo	D6/549
D506,920 S *	7/2005	Taylor	D8/376
D540,089 S *	4/2007	Tau	D6/549
D543,062 S *	5/2007	Snell	D6/514
D549,930 S *	9/2007	Morse	D2/842
D579,248 S *	10/2008	Goodman et al.	D6/513
D582,708 S *	12/2008	Goodman et al.	D6/513
D597,774 S *	8/2009	Rubin	D6/549
D618,023 S *	6/2010	Goodman et al.	D6/549

(**) Term: **14 Years**

(21) Appl. No.: **29/447,194**

(22) Filed: **Mar. 1, 2013**

(51) **LOC (10) Cl.** **06-04**

(52) **U.S. Cl.**
USPC **D6/549**

(58) **Field of Classification Search**
USPC D6/512-514, 553, 567, 548, 549;
211/13.1, 34-39, 85.31, 113;
248/309.1, 309.2
See application file for complete search history.

(56) **References Cited**

U.S. PATENT DOCUMENTS

1,325,472 A *	12/1919	Ide	D6/549
D156,231 S *	11/1949	Grady	D6/549
D168,832 S *	2/1953	Eaton	D6/549

* cited by examiner

Primary Examiner — Brian N Vinson

(74) *Attorney, Agent, or Firm* — Benesch Friedlander
Coplan & Aronoff LLP

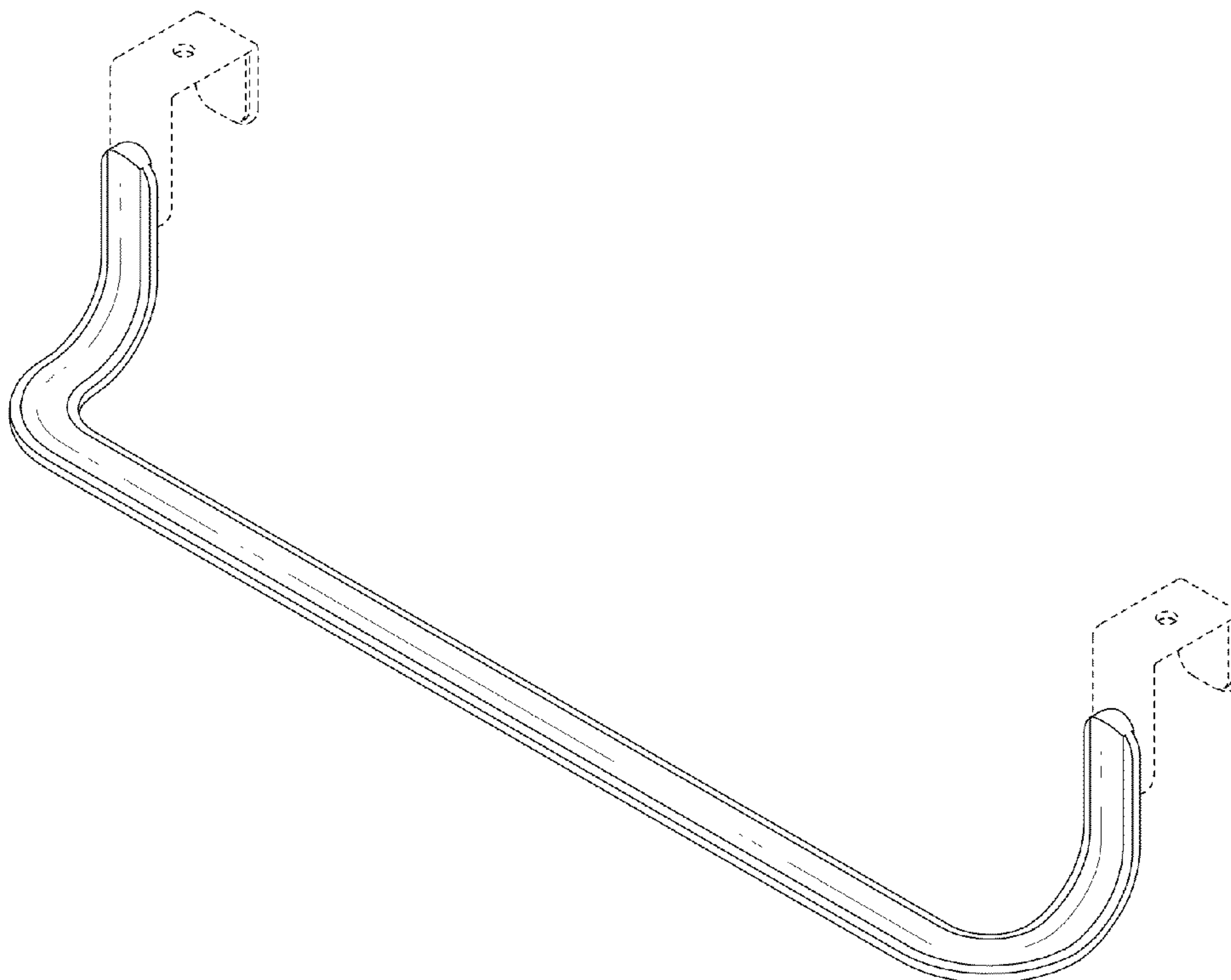
(57) **CLAIM**

What is claimed is the ornamental design for a towel bar, as shown and described.

DESCRIPTION

FIG. 1 is a perspective view of a towel bar showing a new design;
FIG. 2 is a top view of the towel bar of FIG. 1;
FIG. 2A is a cross-sectional view along line 2A in FIG. 2;
FIG. 3 is a front view of the towel bar of FIG. 1;
FIG. 4 is a side view of the towel bar of FIG. 1; and,
FIG. 5 is a rear view of the towel bar of FIG. 1.
The broken line disclosure represents unclaimed portions of the towel bar.

1 Claim, 2 Drawing Sheets



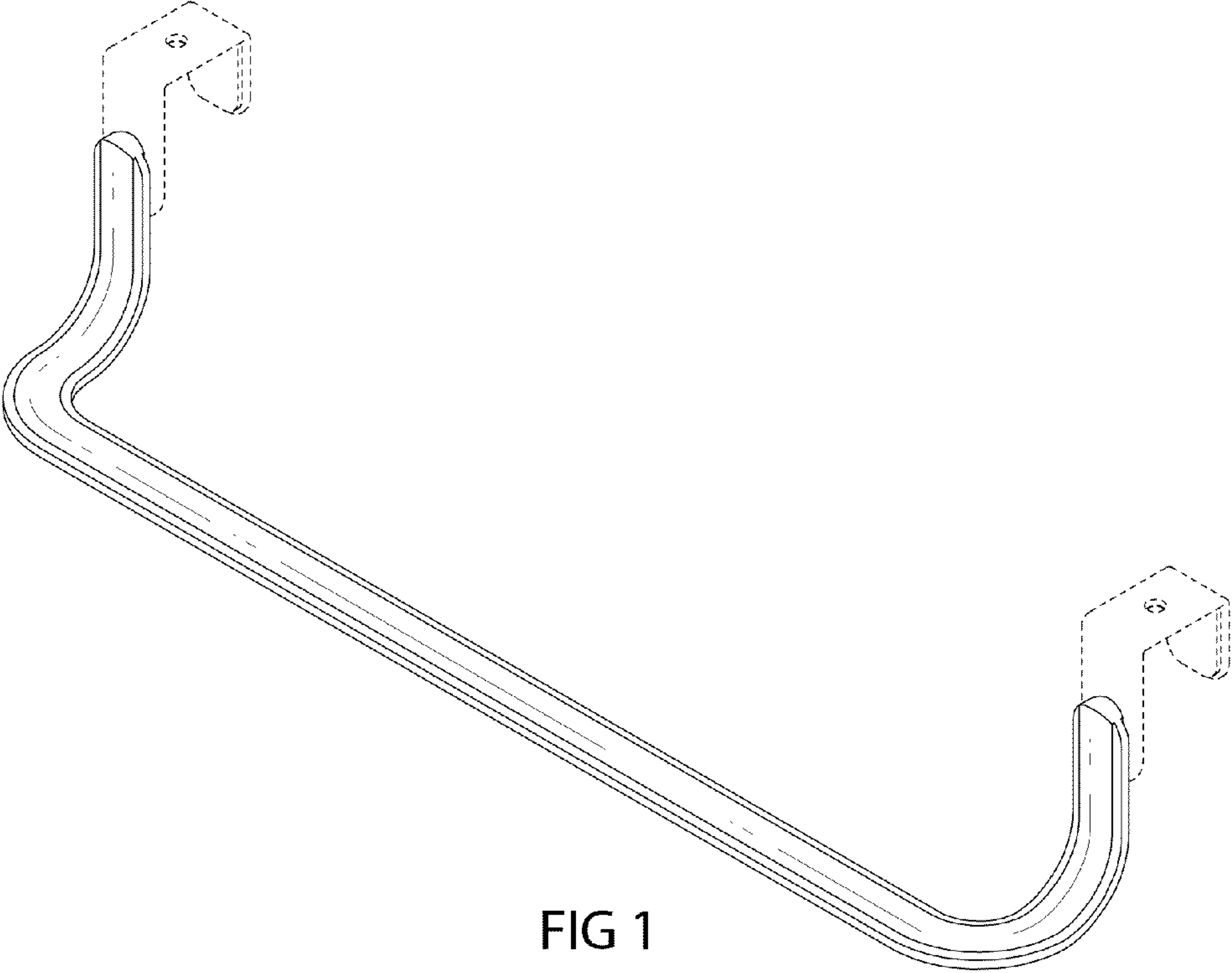


FIG 1

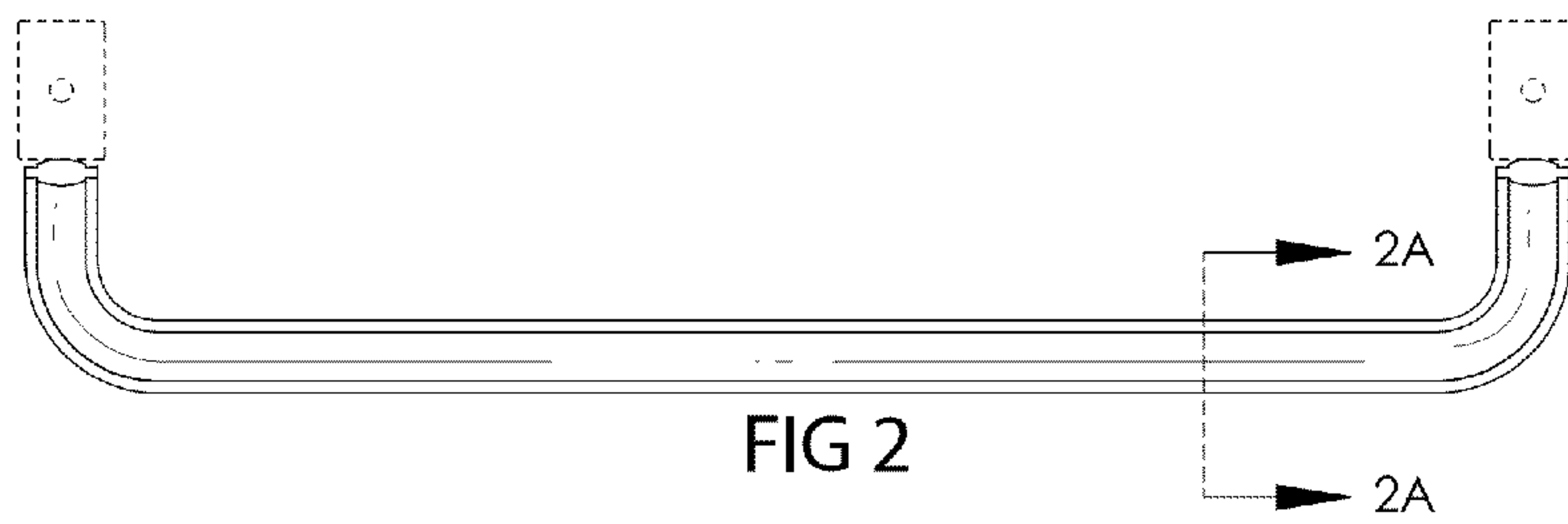


FIG 2



FIG 2A

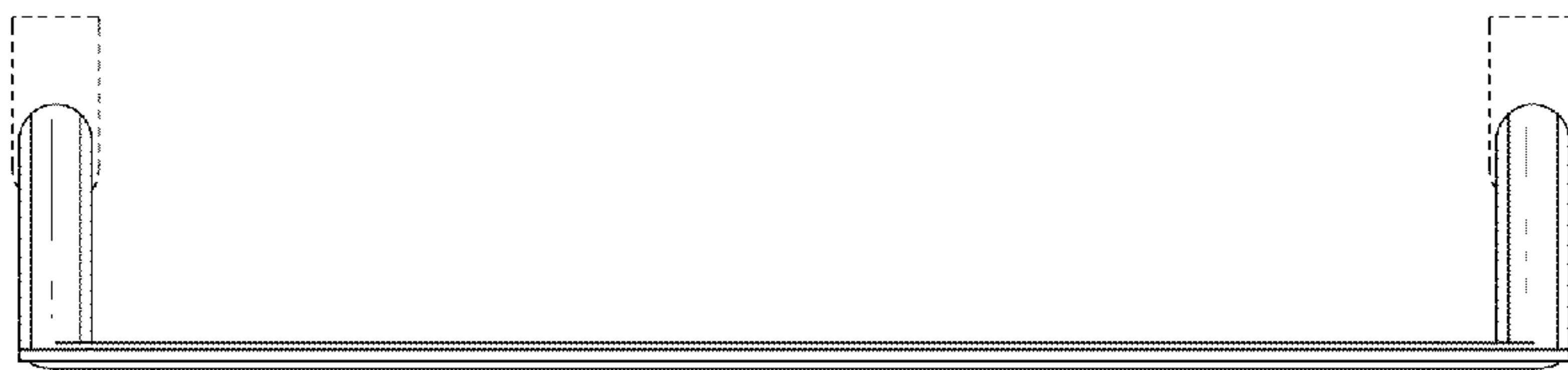


FIG 3

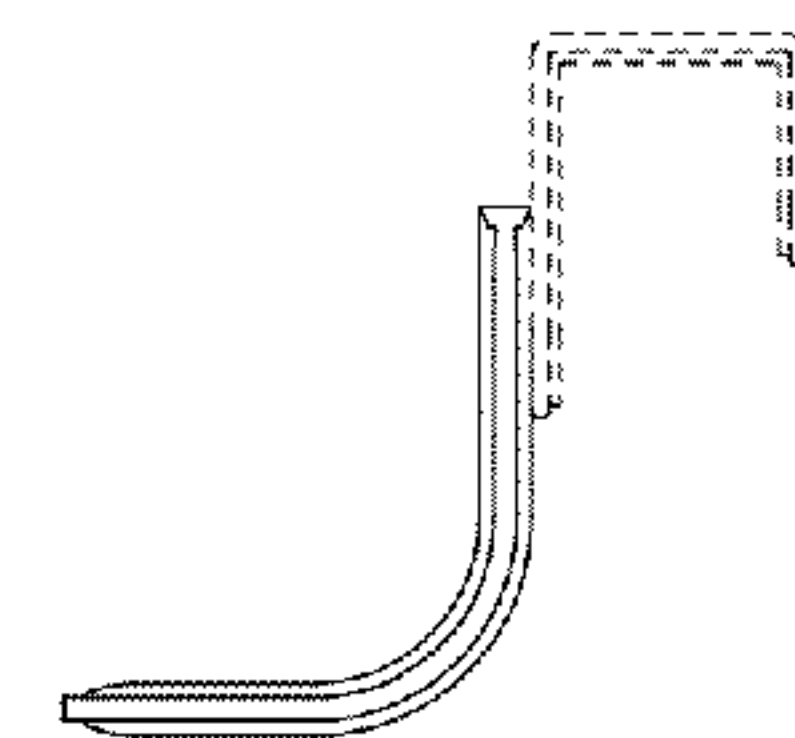


FIG 4



FIG 5