



US00D705564S

(12) **United States Design Patent**
Probst et al.

(10) **Patent No.:** **US D705,564 S**

(45) **Date of Patent:** **** May 27, 2014**

(54) **PLANT GROWING STAND**

(71) Applicants: **Richard J. Probst**, Azusa, CA (US);
Tino M. Vargas, Murrieta, CA (US);
Richard F. O'Connor, Jr., Rancho
Mirage, CA (US)

(72) Inventors: **Richard J. Probst**, Azusa, CA (US);
Tino M. Vargas, Murrieta, CA (US);
Richard F. O'Connor, Jr., Rancho
Mirage, CA (US)

(73) Assignee: **Mobile Farming Systems, Inc.**, Azusa,
CA (US)

(**) Term: **14 Years**

(21) Appl. No.: **29/446,012**

(22) Filed: **Feb. 19, 2013**

(51) **LOC (10) Cl.** **06-04**

(52) **U.S. Cl.**
USPC **D6/405**

(58) **Field of Classification Search**
USPC D6/403-405, 556-558; D8/1;
D11/143-156, 164; D19/77, 80, 81,
D19/84; D25/100; D26/9-11, 16, 19;
D34/1, 2, 4-6; D99/5, 19; 47/17, 32.4,
47/32.5, 33, 39, 41.01, 41.1, 41.11-41.15,
47/44-47, 65, 65.5, 65.9, 66.1, 66.6, 66.7,
47/67-71

See application file for complete search history.

(56) **References Cited**

U.S. PATENT DOCUMENTS

D23,906 S	*	12/1894	Symonds	D6/405
D259,530 S	*	6/1981	Korzon	D6/405
D283,859 S	*	5/1986	Padgett	D6/558
D288,998 S	*	3/1987	Wiggins	D6/405
D294,548 S	*	3/1988	Wallace	D6/558
D638,743 S	*	5/2011	Bouchard et al.	D11/143

* cited by examiner

Primary Examiner — Elizabeth Albert

(74) *Attorney, Agent, or Firm* — George P. White

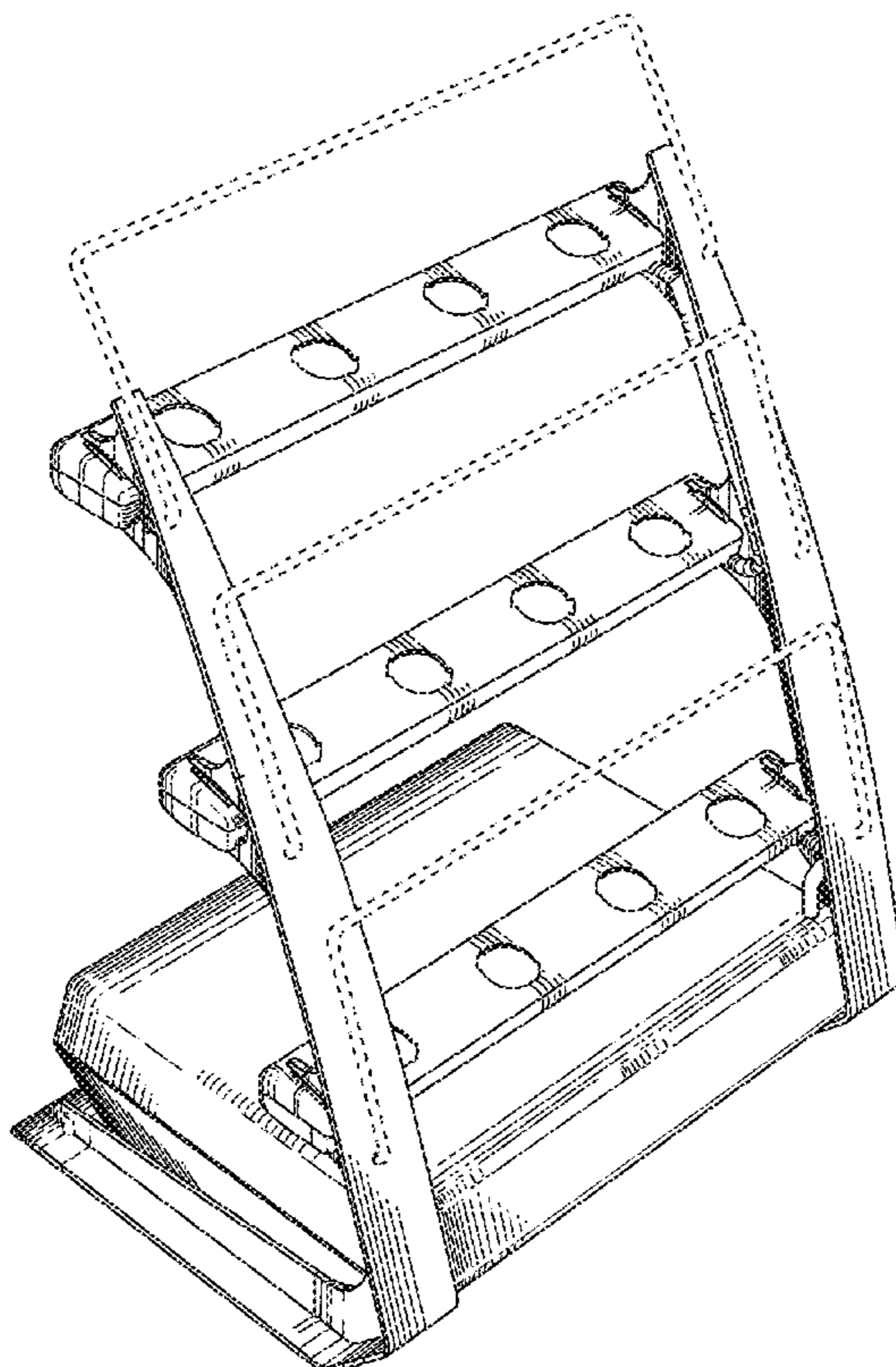
(57) **CLAIM**

We claim the ornamental design for a plant growing stand, substantially as shown and described.

DESCRIPTION

FIG. 1 is a front perspective view of our new design of a plant-growing stand;
FIG. 2 is a top plan view thereof;
FIG. 3 is a right side elevation view thereof, the left side elevation view being a mirror image thereof;
FIG. 4 is a front view thereof;
FIG. 5 is a rear view thereof; and,
FIG. 6 is a rear perspective view thereof.
The broken lines illustrate portions of the plant growing stand that form no part of the claimed design.

1 Claim, 6 Drawing Sheets



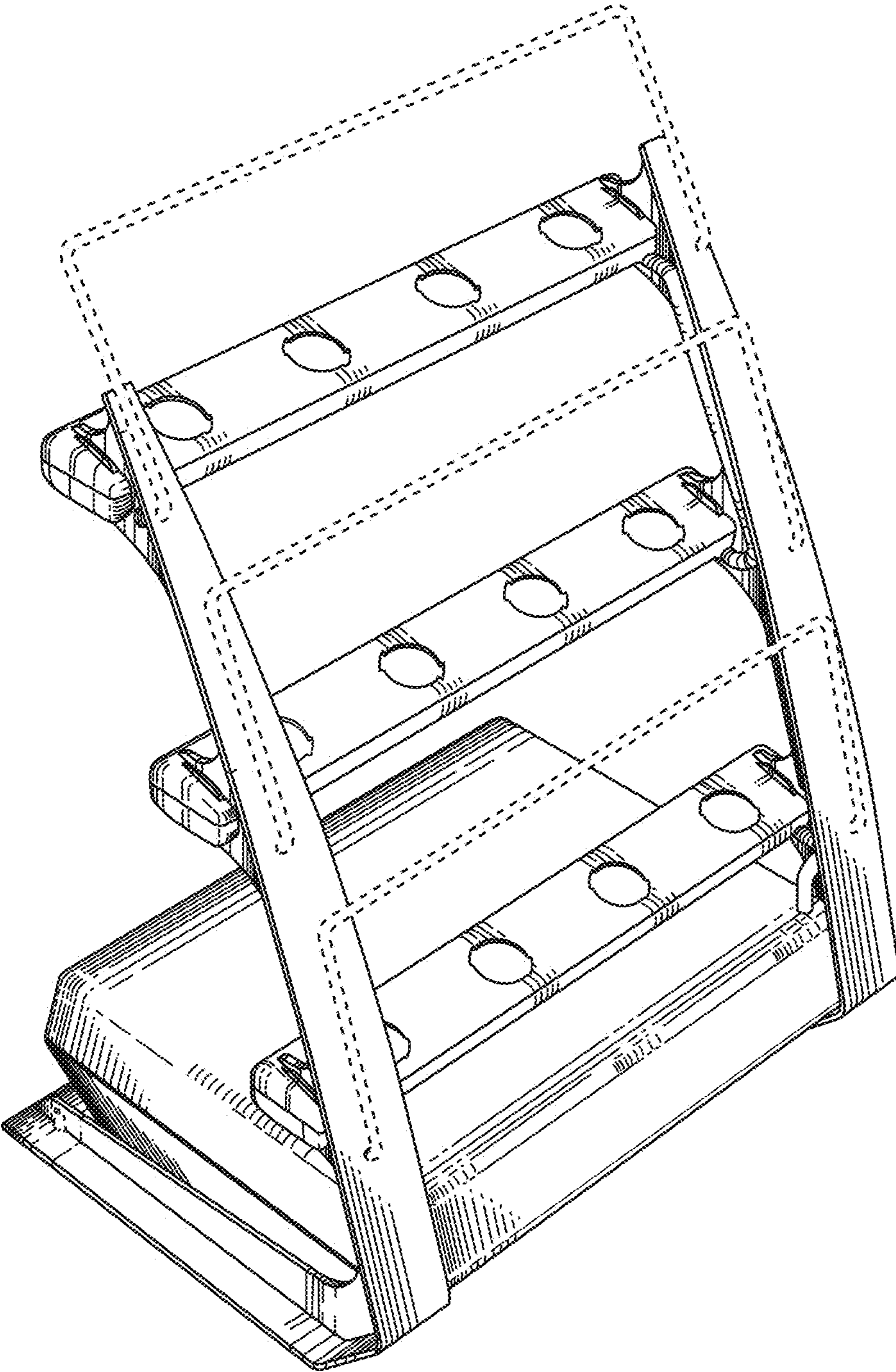


FIG. 1

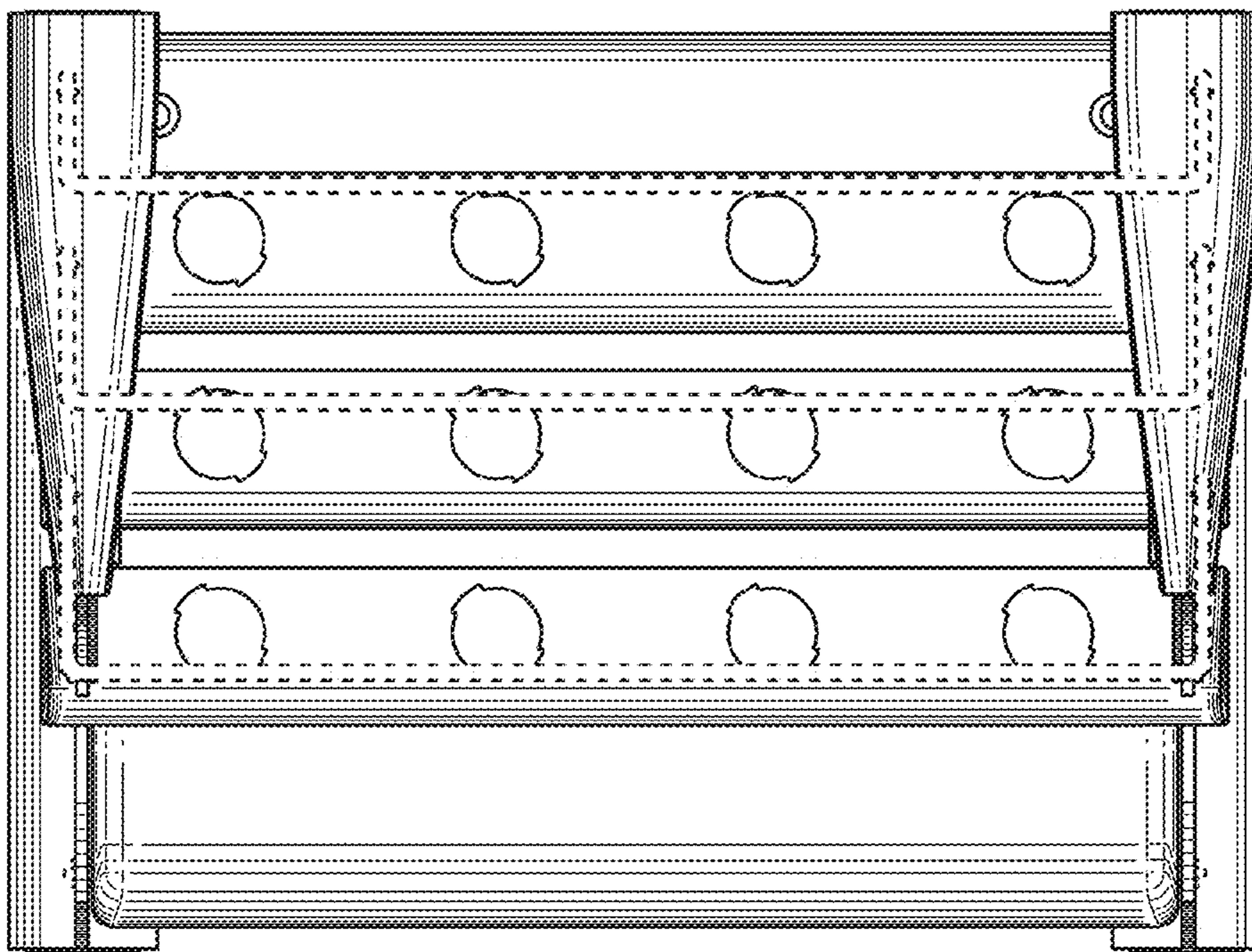


FIG. 2

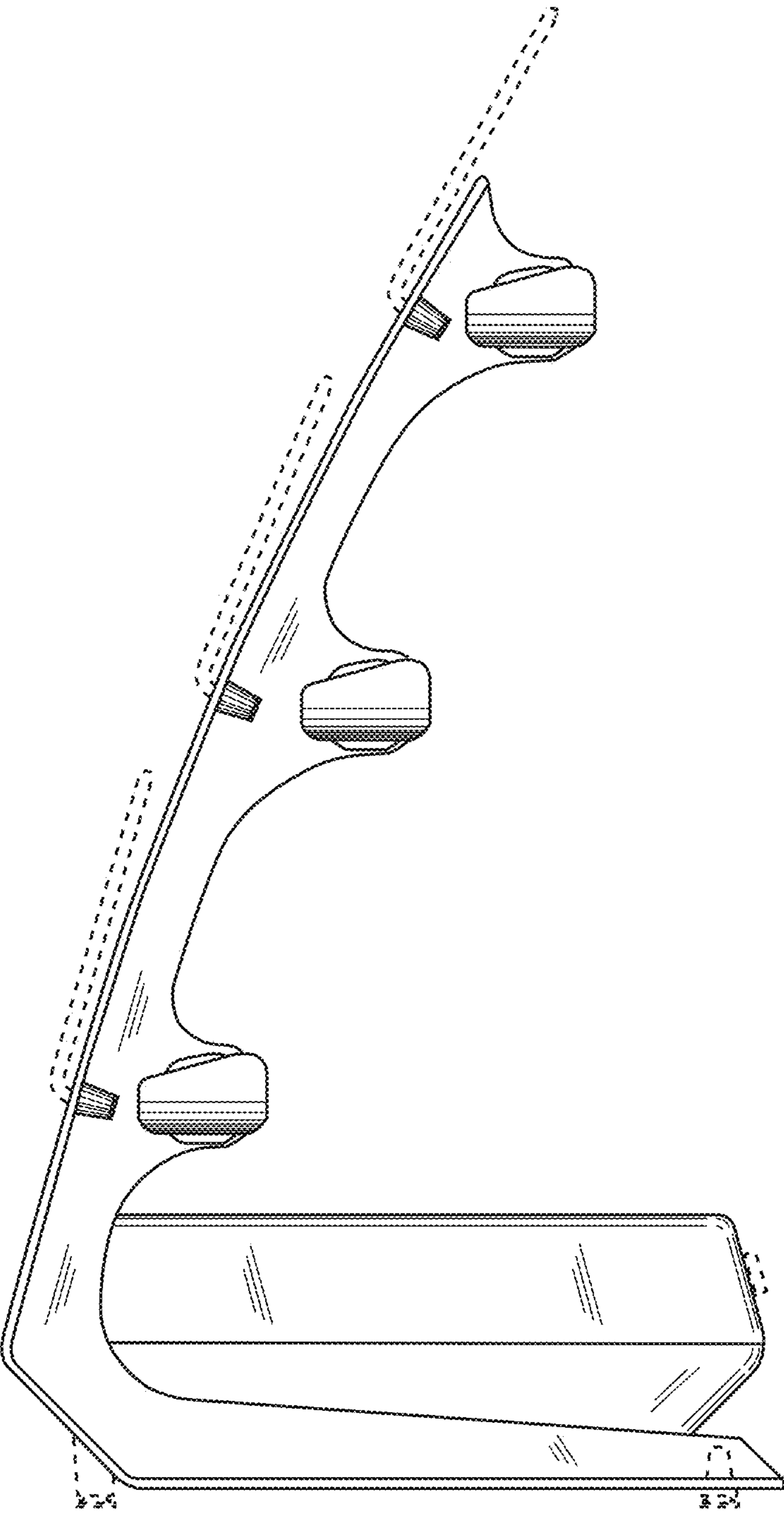


FIG. 3

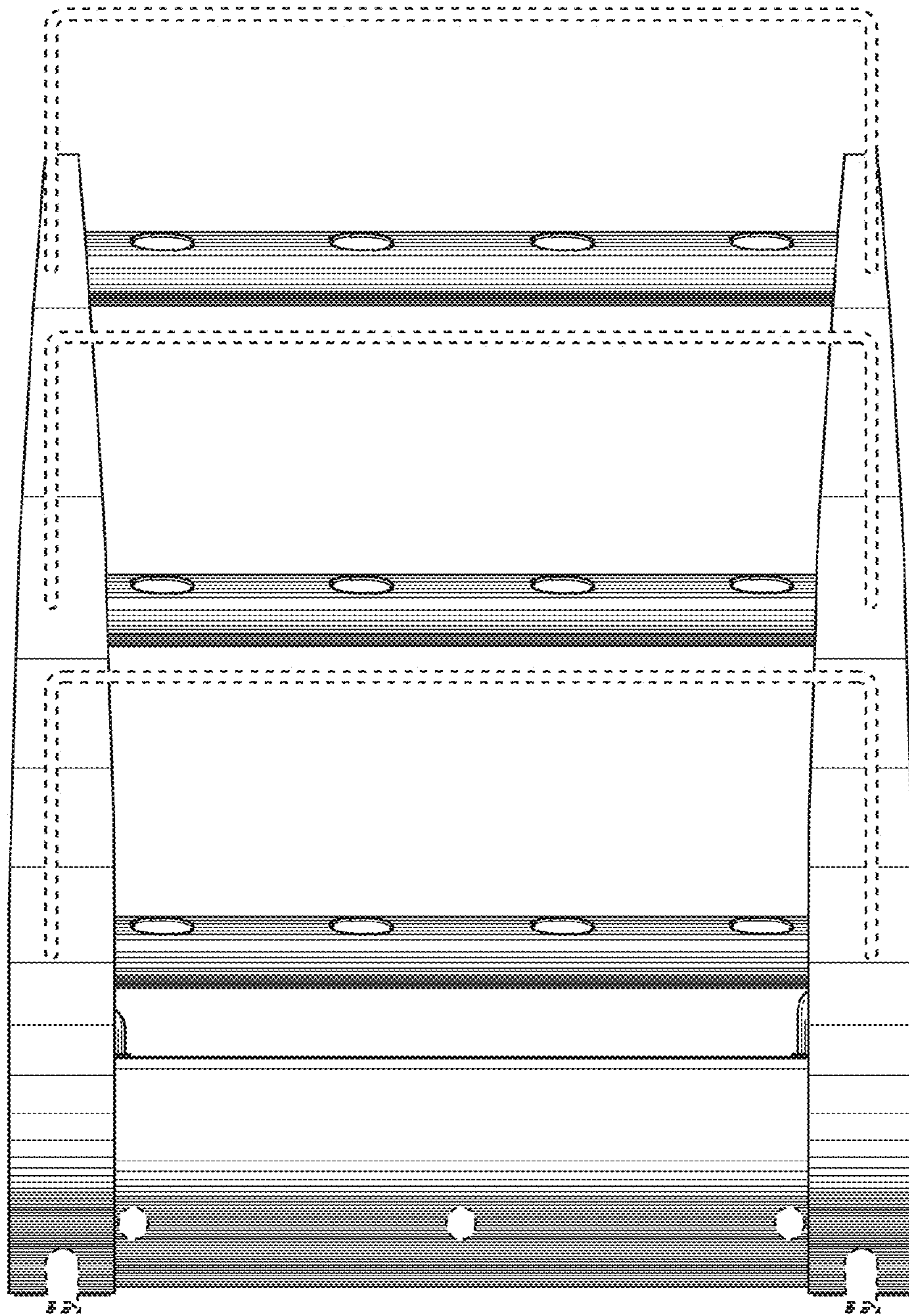


FIG. 4

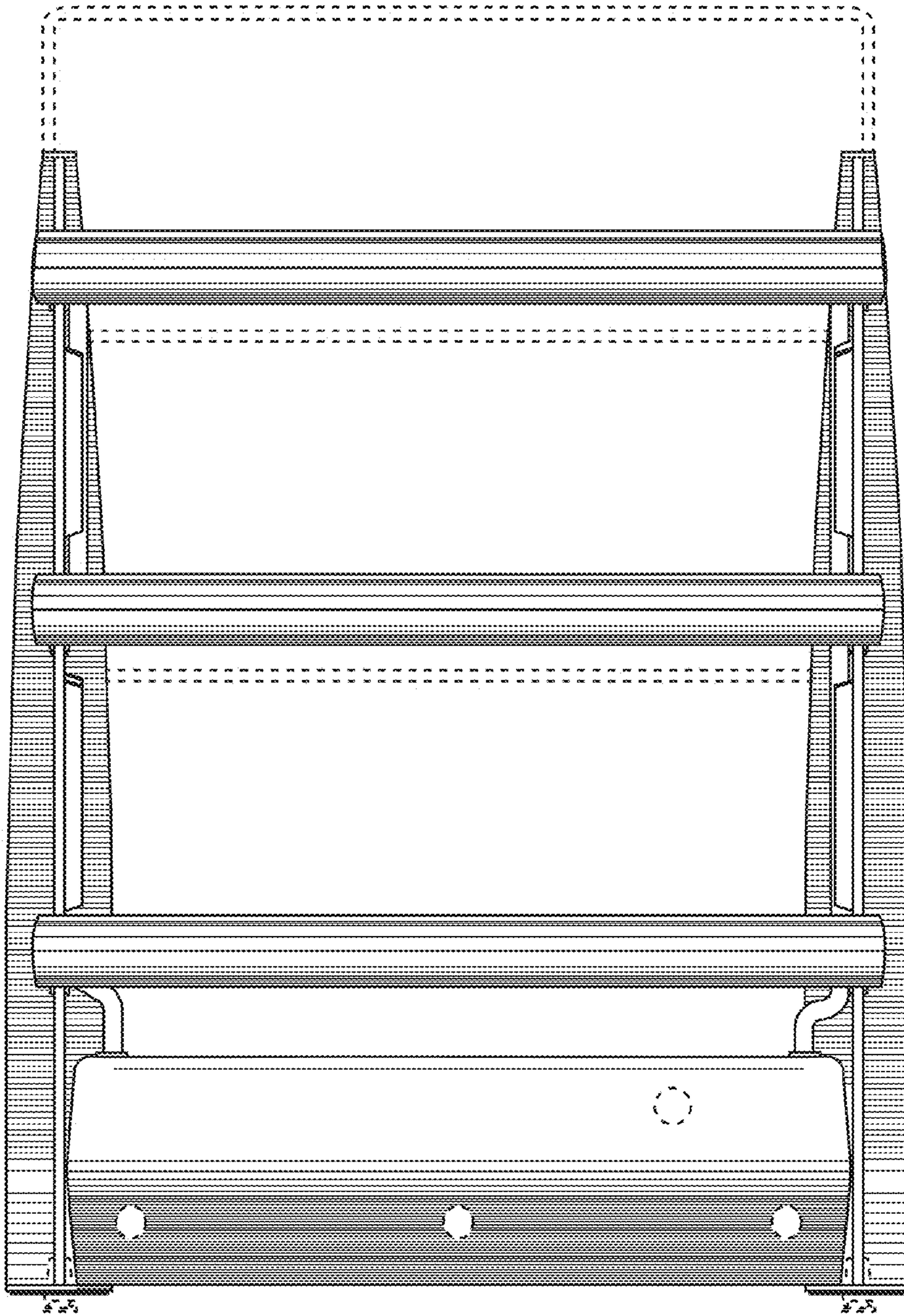


FIG. 5

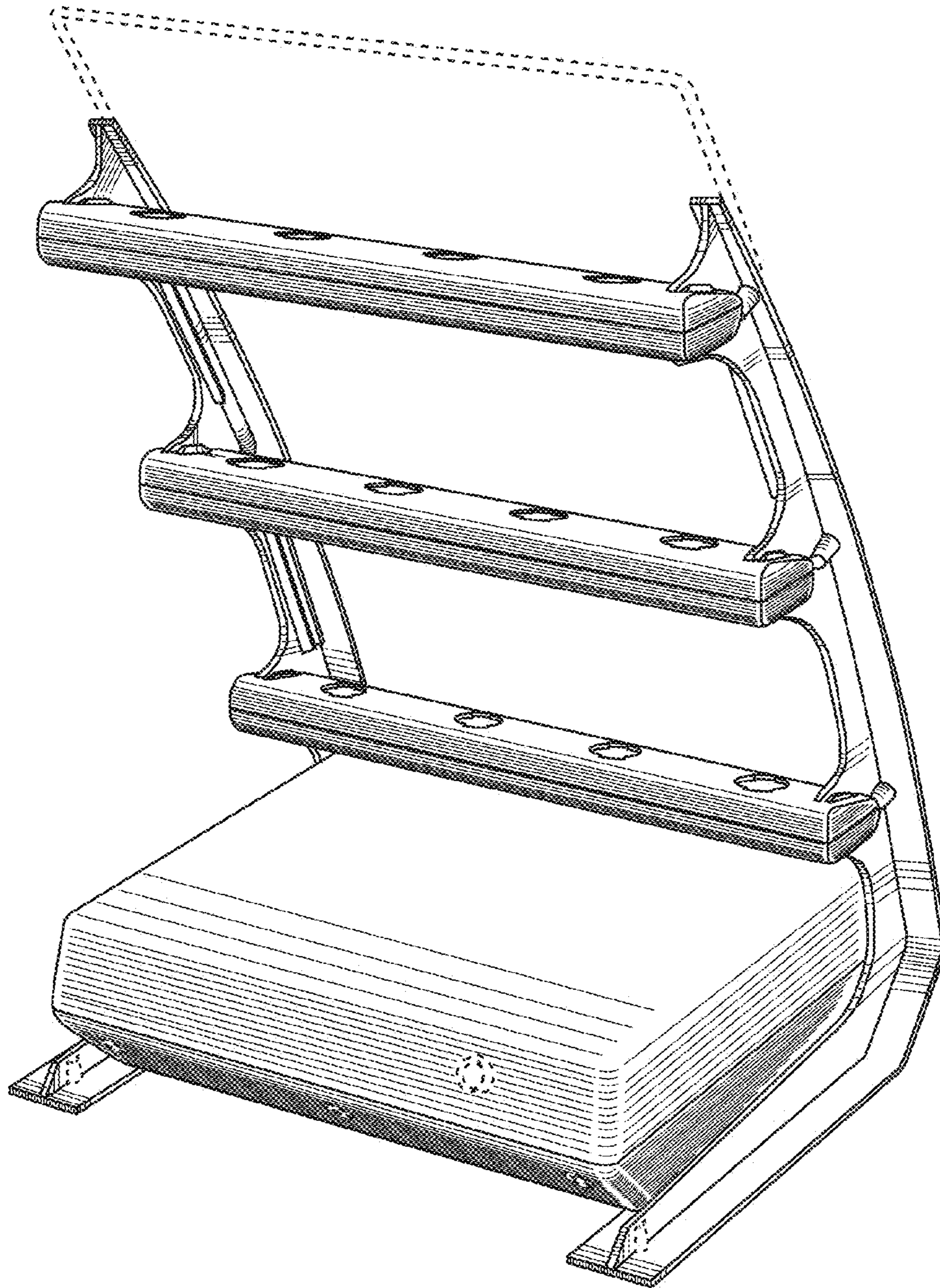


FIG. 6