



US00D705563S

(12) **United States Design Patent**
Souhlas

(10) **Patent No.:** **US D705,563 S**

(45) **Date of Patent:** **** May 27, 2014**

- (54) **SOFA**
- (71) Applicant: **Despina Souhlas**, Riverside, IL (US)
- (72) Inventor: **Despina Souhlas**, Riverside, IL (US)
- (**) Term: **14 Years**
- (21) Appl. No.: **29/452,406**
- (22) Filed: **Apr. 16, 2013**

D393,375 S *	4/1998	Lee	D6/361
D444,957 S *	7/2001	Kagan	D6/377
D485,082 S *	1/2004	Nicoletti	D6/377
D522,268 S *	6/2006	Denton	D6/381
D549,482 S *	8/2007	Natuzzi	D6/381
D582,694 S *	12/2008	Gibson	D6/381
D646,007 S *	9/2011	Tompkin	D26/46
D682,575 S *	5/2013	Versace	D6/377

* cited by examiner

Primary Examiner — Sandra Snapp

(74) *Attorney, Agent, or Firm* — McAndrews, Held & Malloy, Ltd.

Related U.S. Application Data

- (63) Continuation of application No. 29/399,796, filed on Aug. 18, 2011, now Pat. No. Des. 679,918.
- (51) **LOC (10) Cl.** **06-01**
- (52) **U.S. Cl.**
USPC **D6/381**
- (58) **Field of Classification Search**
USPC D6/334–338, 349, 355, 361, 368–370,
D6/376, 379–381, 708, 716, 716.1;
297/16.1, 42, 94, 135, 175, 232, 233,
297/350, 351, 445.1, 448.1, 448.2, 451.9;
5/12.1, 12.2
See application file for complete search history.

(57) **CLAIM**

The ornamental design for a sofa, as shown and described.

DESCRIPTION

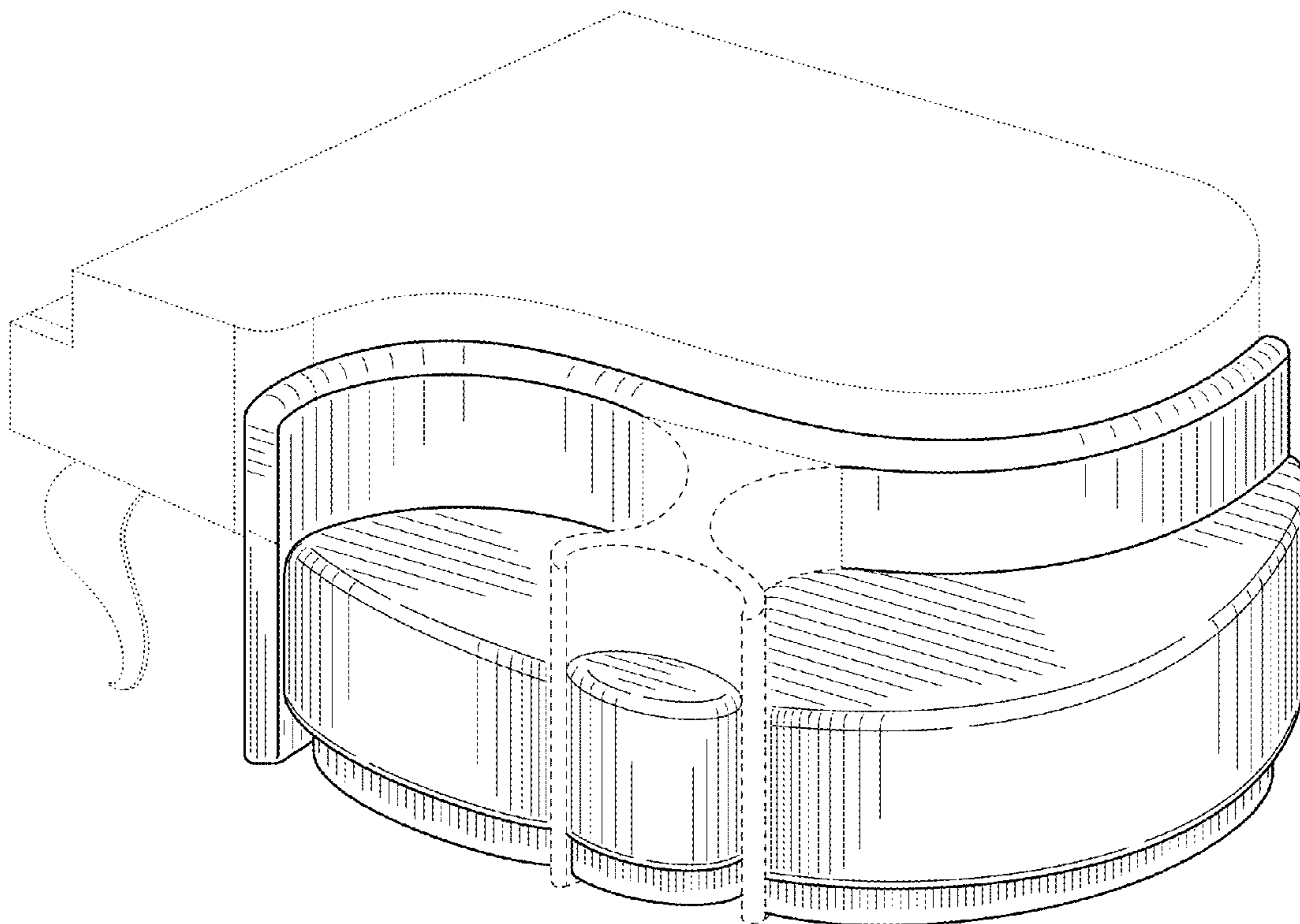
FIG. 1 is a front perspective view of a sofa showing my new design;
 FIG. 2 is a top plan view thereof;
 FIG. 3 is a front elevation view thereof;
 FIG. 4 is rear elevation view thereof;
 FIG. 5 is a back perspective view thereof; and,
 FIG. 6 is a front perspective view of thereof with environmental subject matter shown in dotted lines.
 The broken lines in the drawings represent environmental subject matter and form no part of the claimed design.

(56) **References Cited**

U.S. PATENT DOCUMENTS

D147,386 S *	8/1947	Thomas	D6/336
D390,021 S *	2/1998	Smith	D6/361

1 Claim, 3 Drawing Sheets



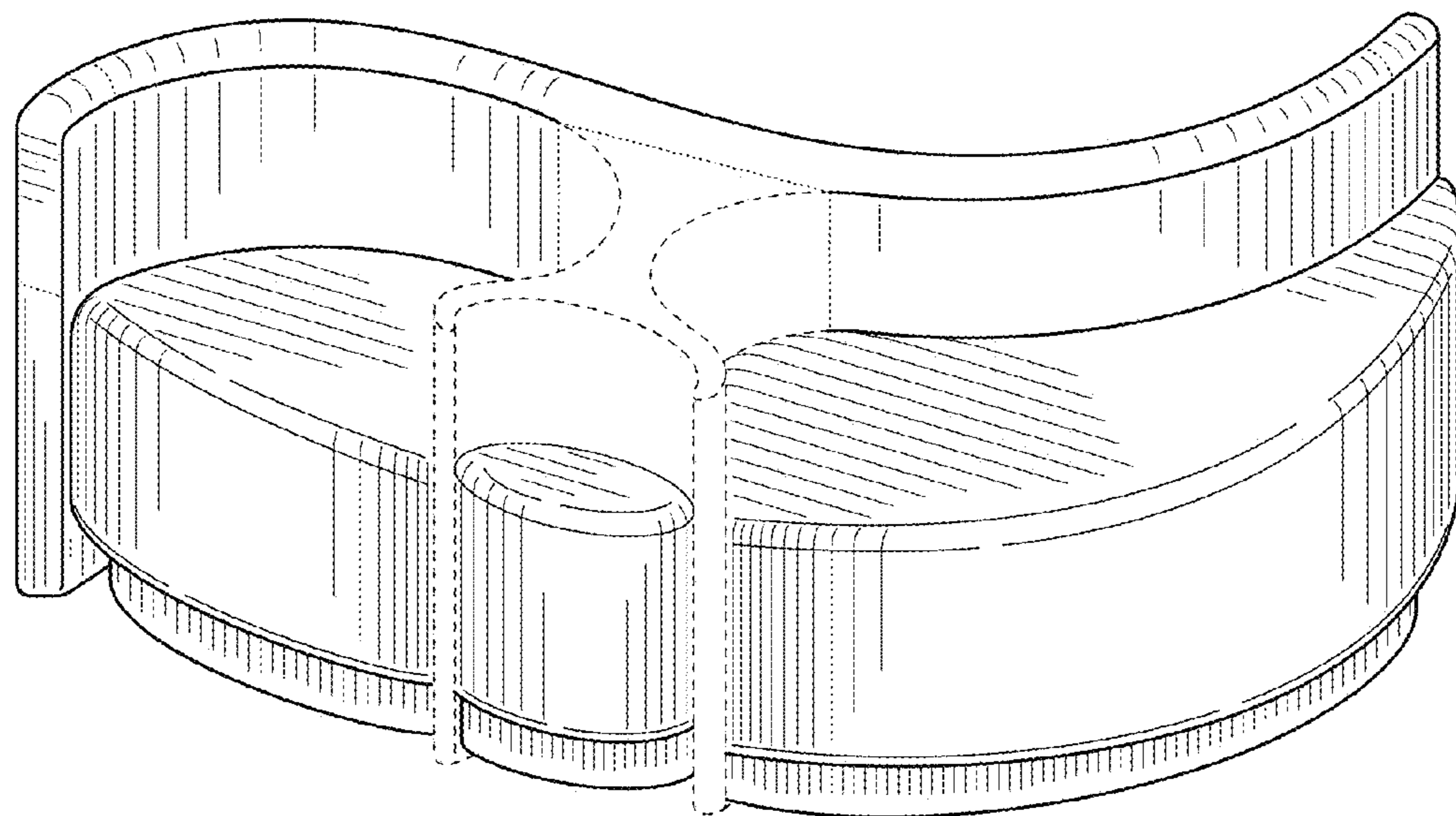


FIG. 1

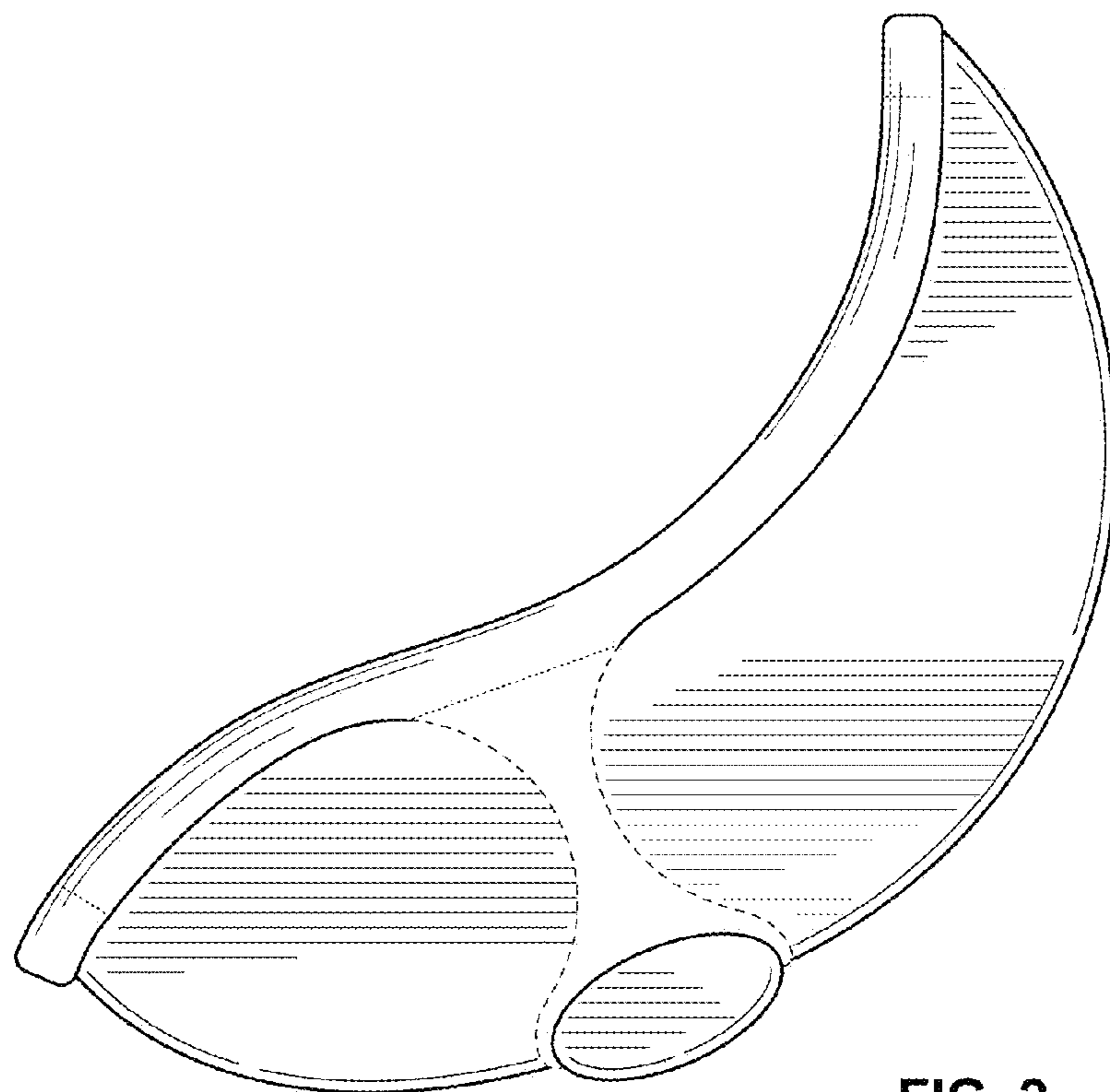


FIG. 2

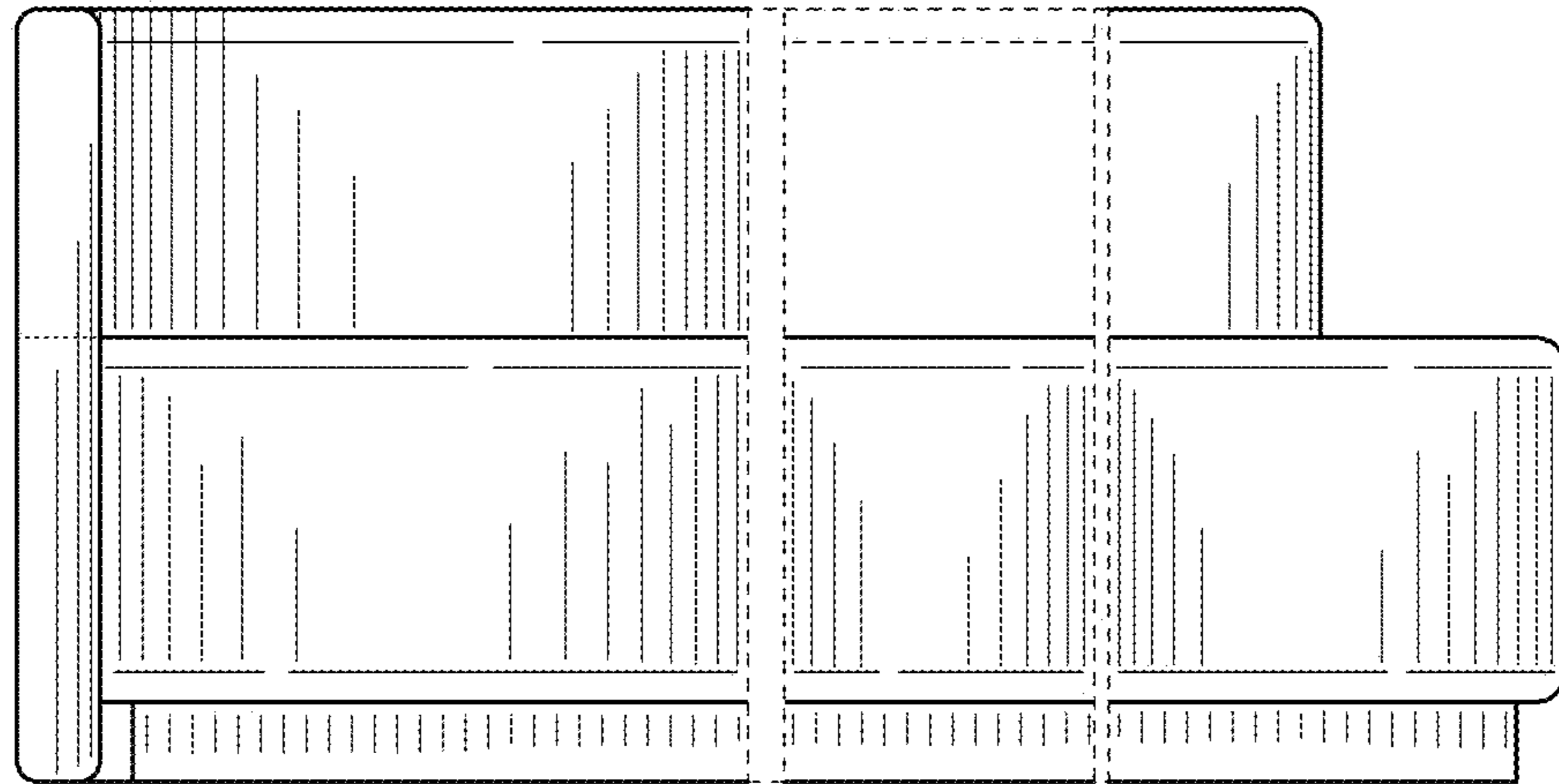


FIG. 3

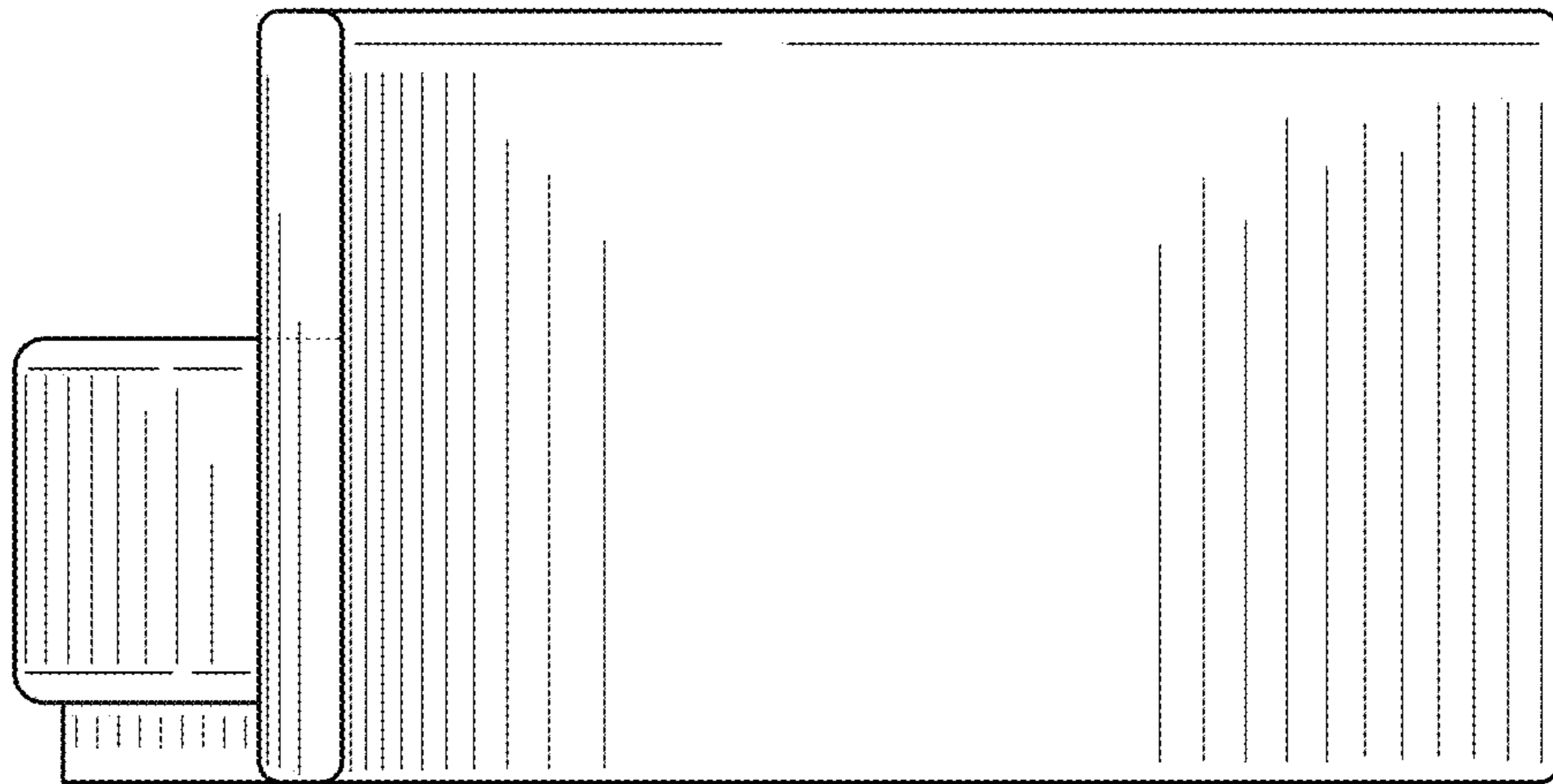


FIG. 4

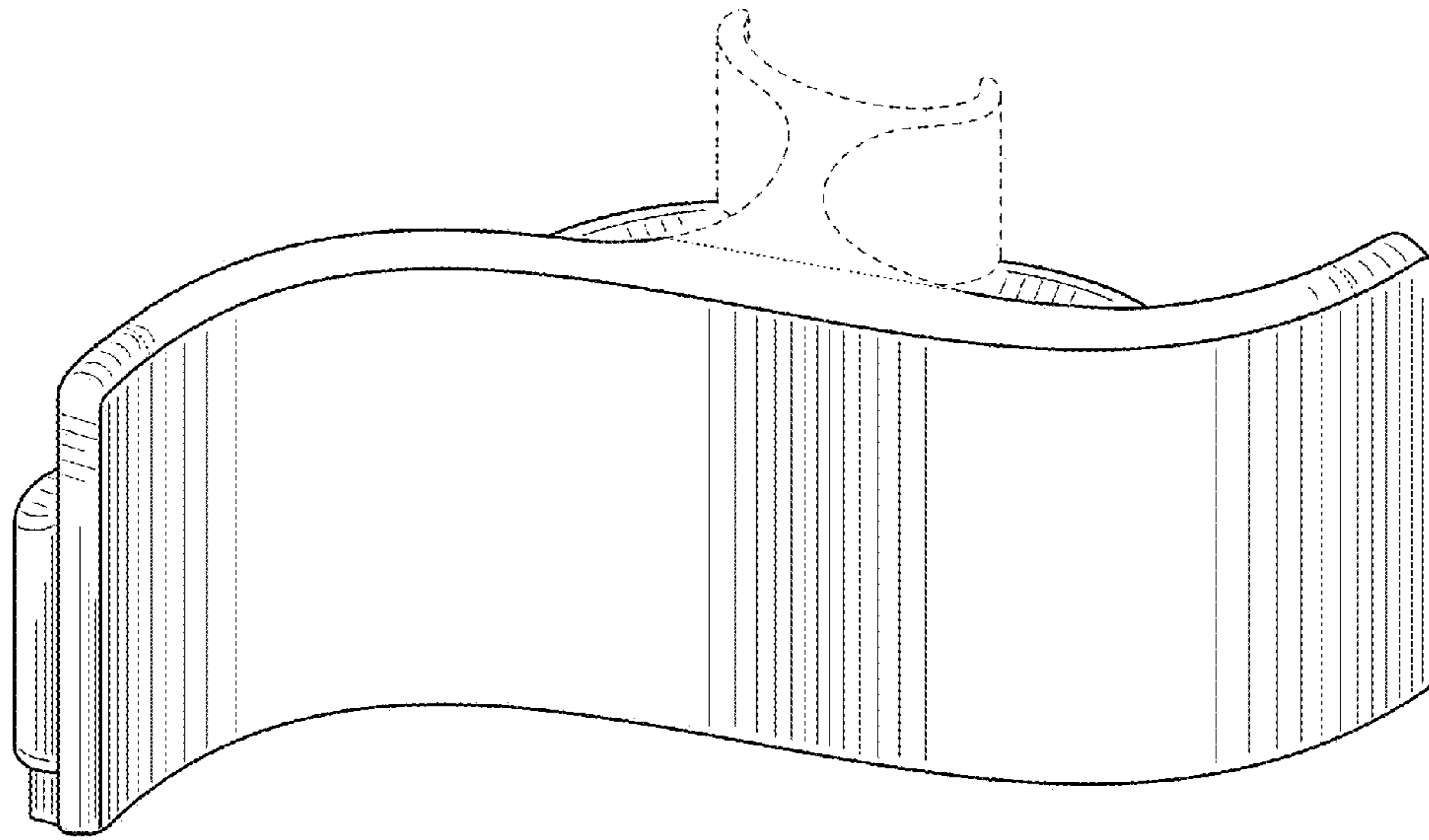


FIG. 5

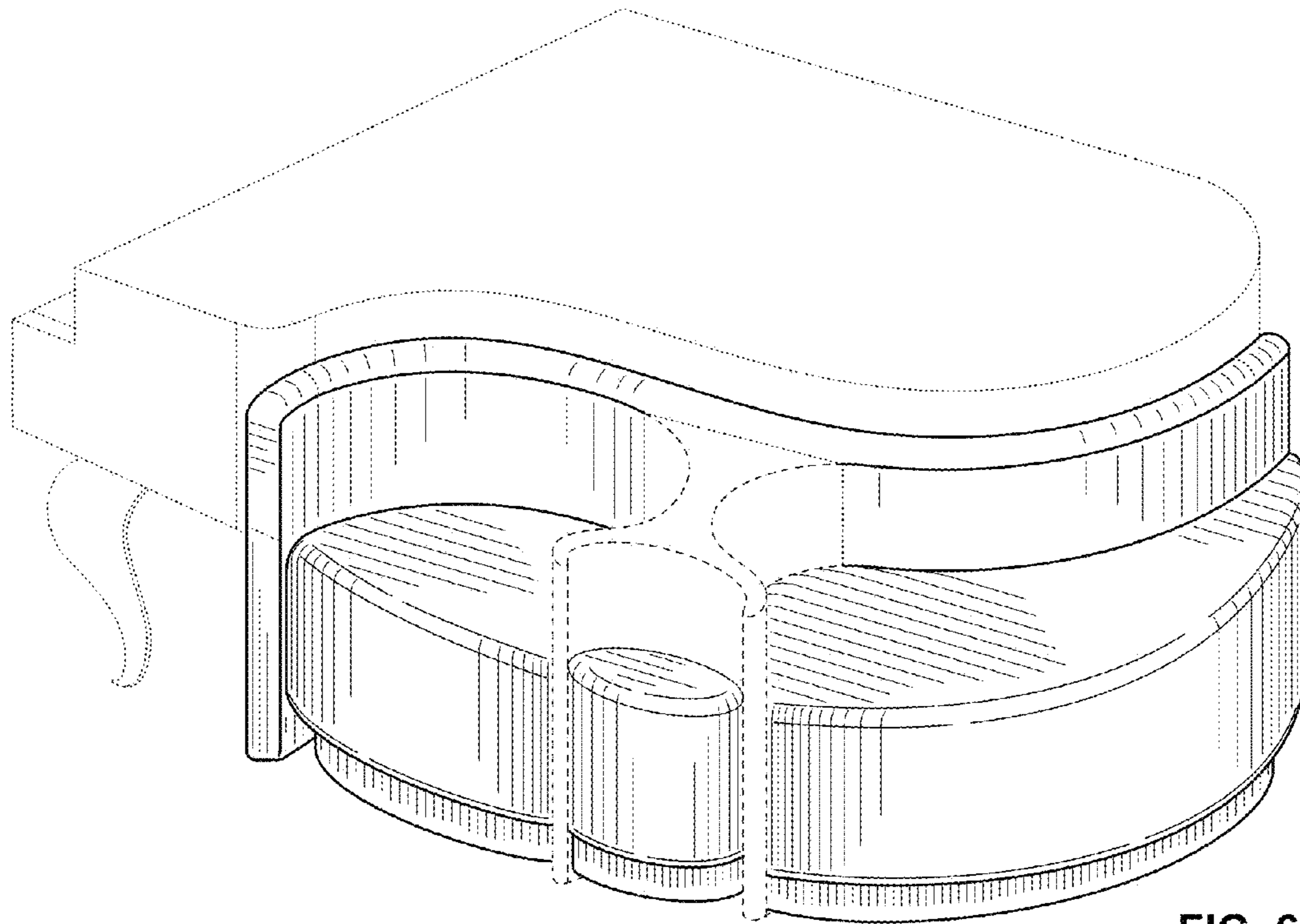


FIG. 6