



US00D705562S

(12) **United States Design Patent**  
**Ouchi**

(10) **Patent No.:** **US D705,562 S**  
(45) **Date of Patent:** **\*\* May 27, 2014**

(54) **MESSAGE MACHINE**

**FOREIGN PATENT DOCUMENTS**

(75) Inventor: **Satoshi Ouchi**, Tottori (JP)

JP D1328998 S 5/2008  
JP D1329350 S 5/2008

(73) Assignee: **Family Co., Ltd.**, Osaka (JP)

(Continued)

(\*\*) Term: **14 Years**

**OTHER PUBLICATIONS**

(21) Appl. No.: **29/371,976**

Web page, "Osim uAstro Zero Gravity Massage Chair at Brookstone," [http://www.brookstone.com/uastro-massage-chair-zero-gravity-massage-chair?bkiid=World\\_Landing\\_Page\\_Massage\\_Chairs|WorldLandingWidget|647180p&page=featuredproduct&catId=L2\\_MassageChair|L1\\_Massage](http://www.brookstone.com/uastro-massage-chair-zero-gravity-massage-chair?bkiid=World_Landing_Page_Massage_Chairs|WorldLandingWidget|647180p&page=featuredproduct&catId=L2_MassageChair|L1_Massage), 2 pages, Brookstone, Nov. 23, 1010.

(22) Filed: **Mar. 13, 2012**

(30) **Foreign Application Priority Data**

Dec. 9, 2011 (JP) ..... D2011-028579  
Dec. 9, 2011 (JP) ..... D2011-028580

*Primary Examiner* — Ricky Pham

(74) *Attorney, Agent, or Firm* — Rader, Fishman & Grauer PLLC

(51) **LOC (10) Cl.** ..... **06-01**

(57) **CLAIM**

(52) **U.S. Cl.**  
USPC ..... **D6/367**

The ornamental design for a massage machine, as shown and described.

(58) **Field of Classification Search**

**DESCRIPTION**

USPC ..... D6/334–336, 348–354, 360–381, 388,  
D6/403, 498, 500–502, 601–604, 716,  
D6/716.1; D24/183, 188, 206, 215;  
297/22, 31, 35, 199, 239, 256.16,  
297/284.3–284.5, 291, 297, 302.4, 411.2,  
297/411.27–411.29, 440.13, 440.15, 451.1,  
297/452.13, 452.19, 452.21, 452.27,  
297/452.29, 452.3, 452.41, 452.56, 452.64

FIG. 1 is a perspective view of a massage machine showing my new design;  
FIG. 2 is a front elevational view thereof;  
FIG. 3 is a rear elevational view thereof;  
FIG. 4 is a left side elevational view thereof, a right side elevational view being a mirror image;  
FIG. 5 is a top plan view thereof.  
FIG. 6 is a bottom plan view thereof.  
FIG. 7 is a perspective view of side parts of the embodiment of FIG. 1;  
FIG. 8 is a front elevational view thereof;  
FIG. 9 is a rear elevational view thereof;  
FIG. 10 is a left side elevational view thereof;  
FIG. 11 is a right side elevational view thereof;  
FIG. 12 is a top plan view thereof; and,  
FIG. 13 is a bottom plan view thereof.  
Portions in broken lines are illustrative purposes only and form no part of the claimed design.

See application file for complete search history.

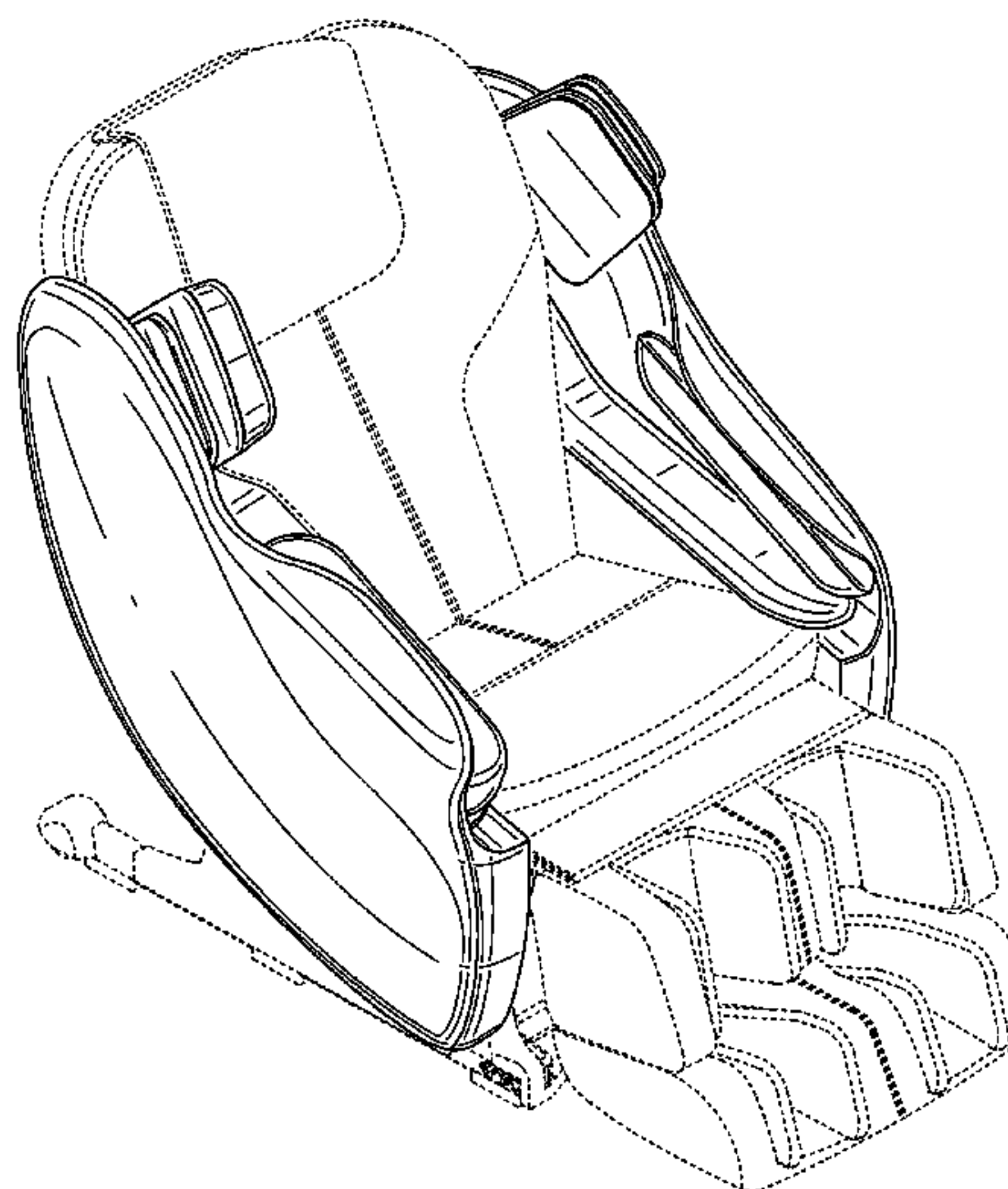
(56) **References Cited**

**U.S. PATENT DOCUMENTS**

D372,802 S \* 8/1996 Fujimoto et al. .... D6/367  
D502,607 S \* 3/2005 Miyake et al. .... D6/335  
D517,337 S \* 3/2006 Mori ..... D6/367  
D536,894 S \* 2/2007 Potter ..... D6/367  
D537,645 S \* 3/2007 Murata et al. .... D6/367  
D538,056 S \* 3/2007 Lifeng ..... D6/367  
D540,053 S \* 4/2007 Kimoto ..... D6/367

(Continued)

**1 Claim, 10 Drawing Sheets**



(56)

**References Cited**

D680,766 S \* 4/2013 Morimoto et al. .... D6/367

U.S. PATENT DOCUMENTS

FOREIGN PATENT DOCUMENTS

D544,224 S \* 6/2007 Zhuo ..... D6/367  
D550,468 S \* 9/2007 Ng ..... D6/367  
D577,923 S 10/2008 Kita  
D580,671 S \* 11/2008 Aoki et al. .... D6/367  
D653,468 S \* 2/2012 Hsieh ..... D6/367  
D657,970 S \* 4/2012 Hwang et al. .... D6/367

JP D1390182 S 6/2010  
JP D1390183 S 6/2010  
JP D1390347 S 6/2010

\* cited by examiner

FIG.1

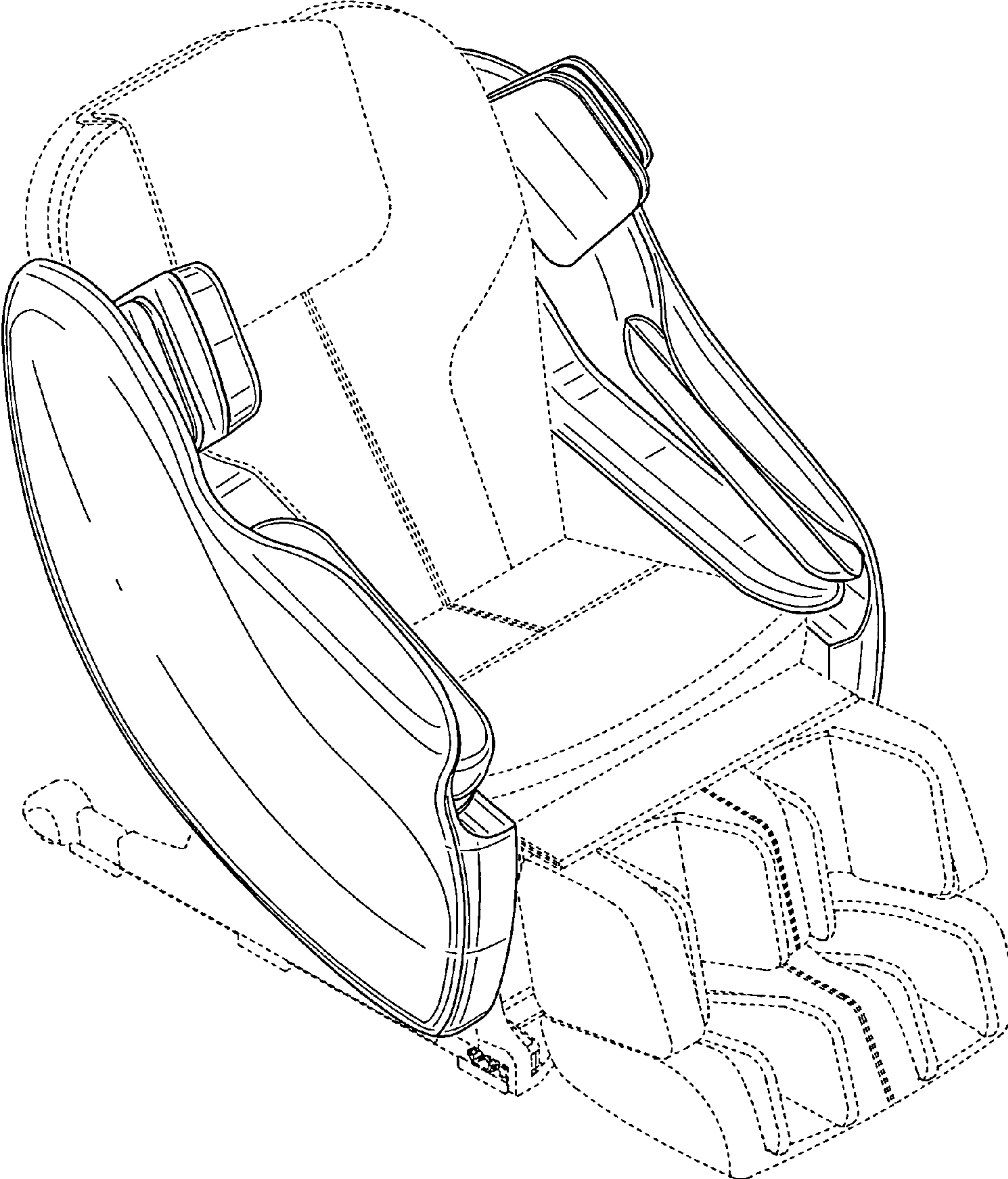


FIG.2

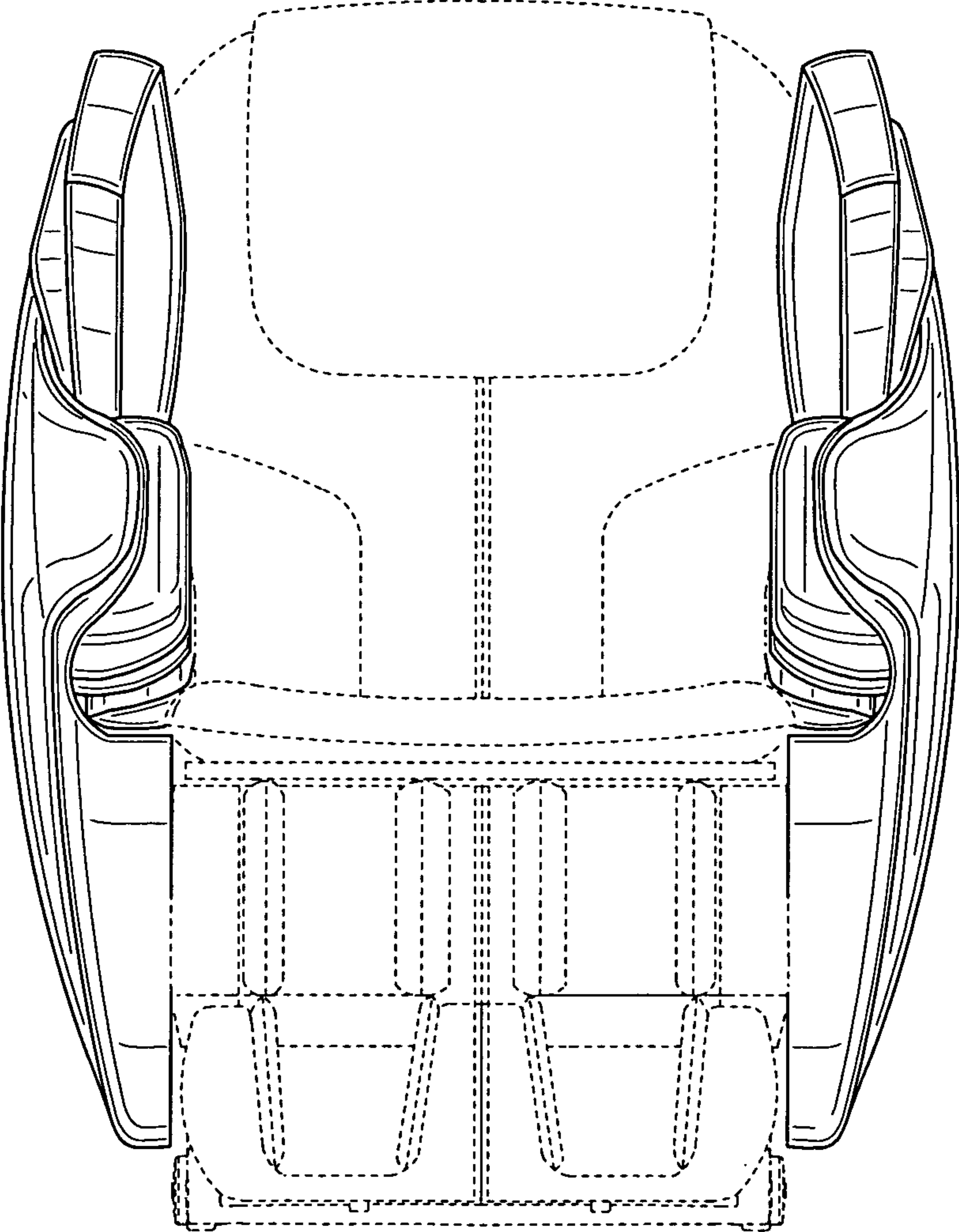




FIG.3

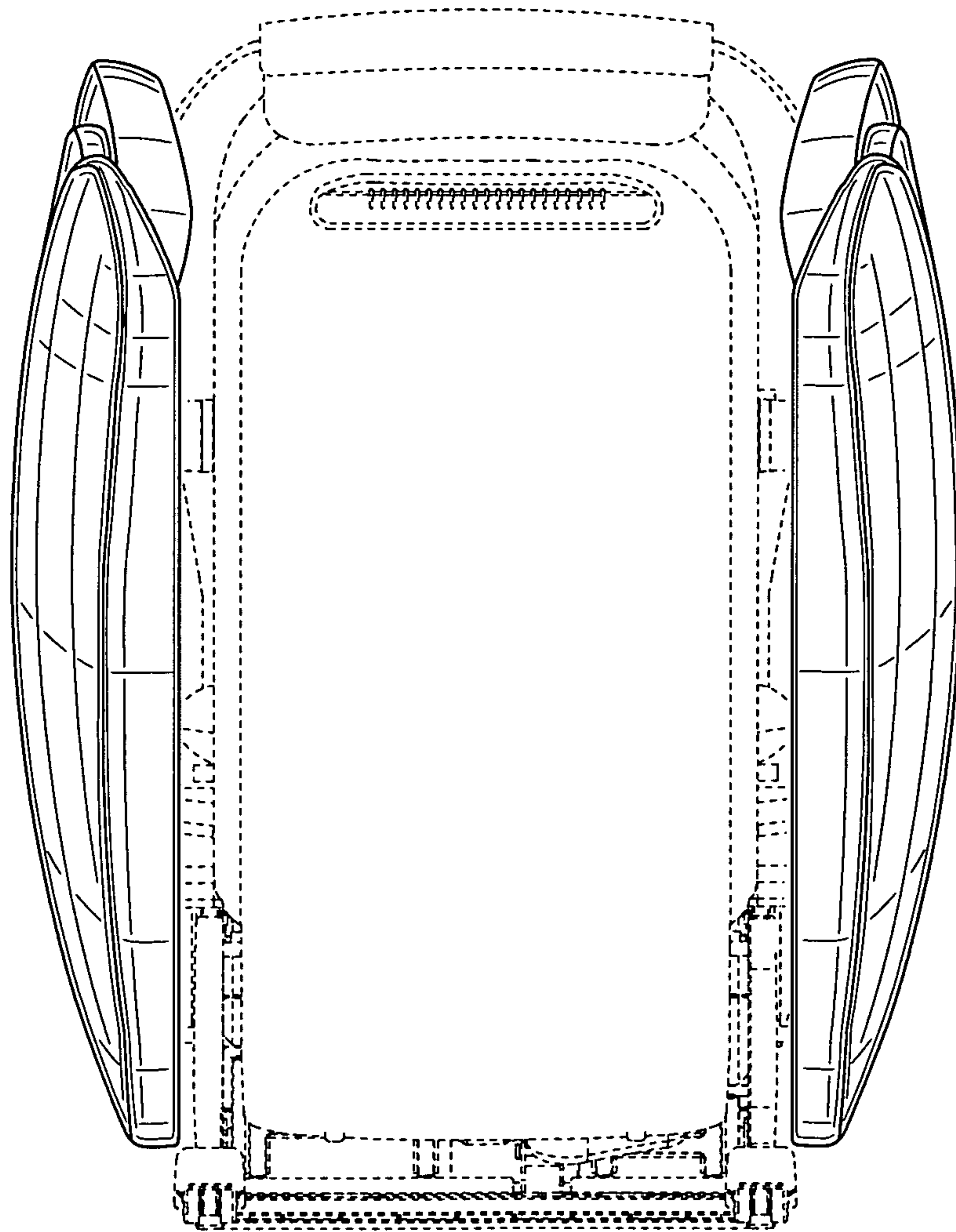


FIG.4

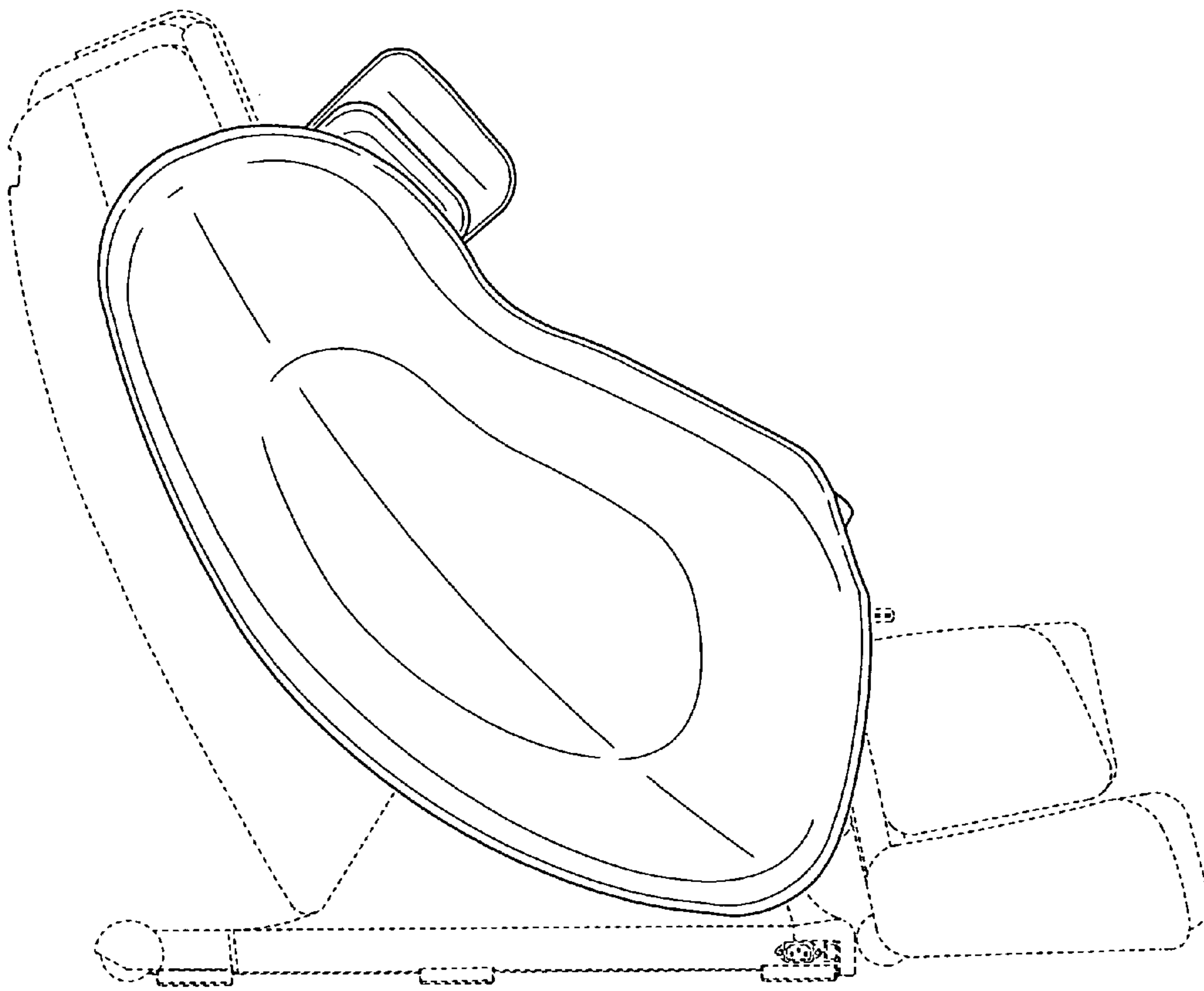


FIG.5

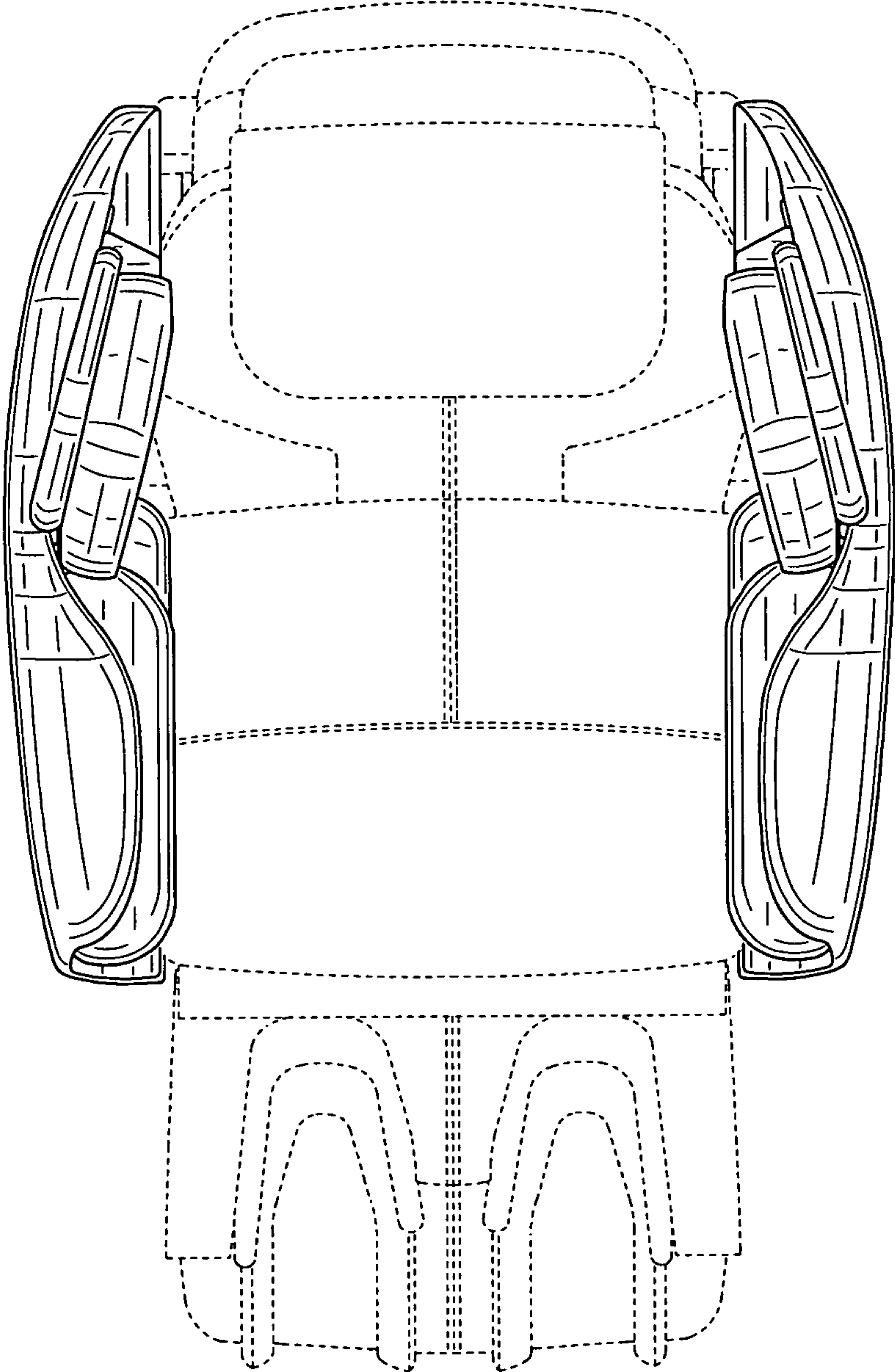


FIG.6

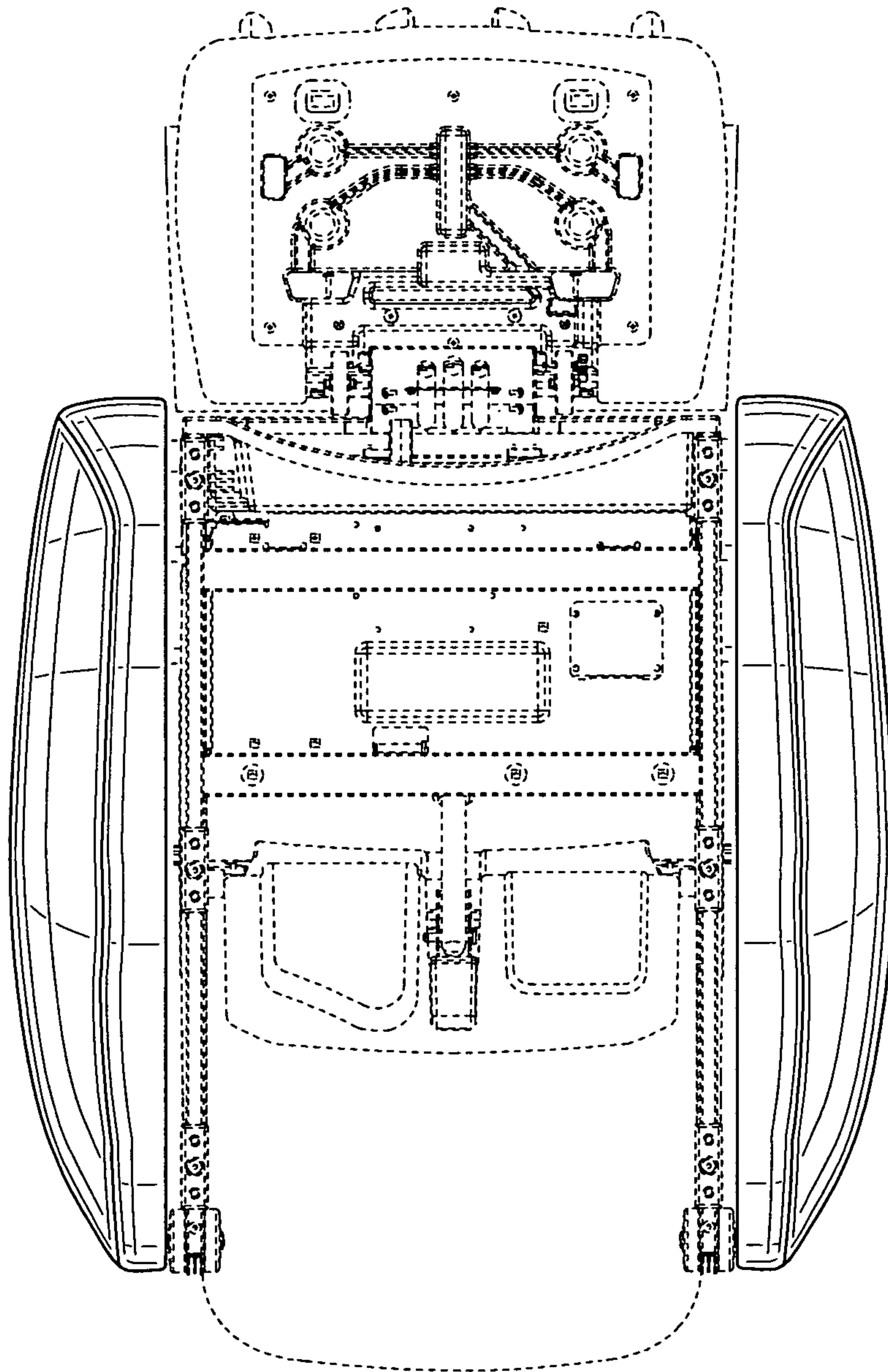




FIG. 7



FIG.8

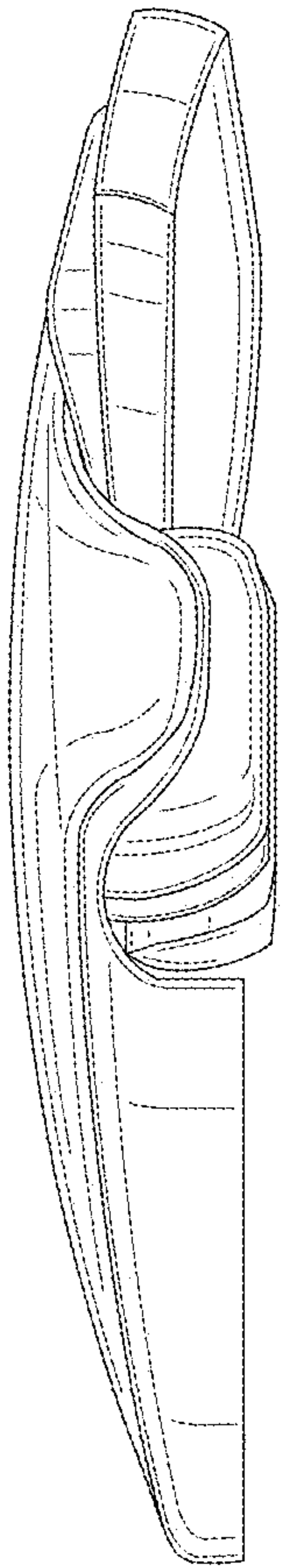


FIG.9

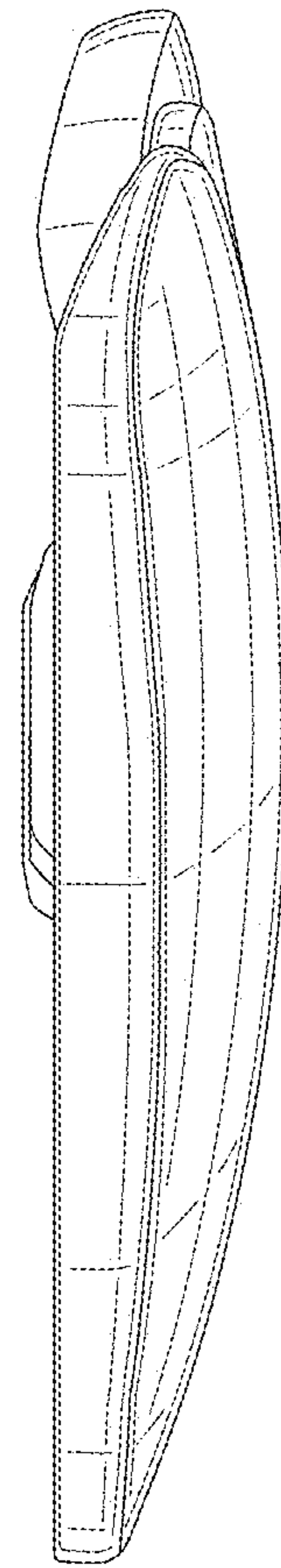


FIG.11

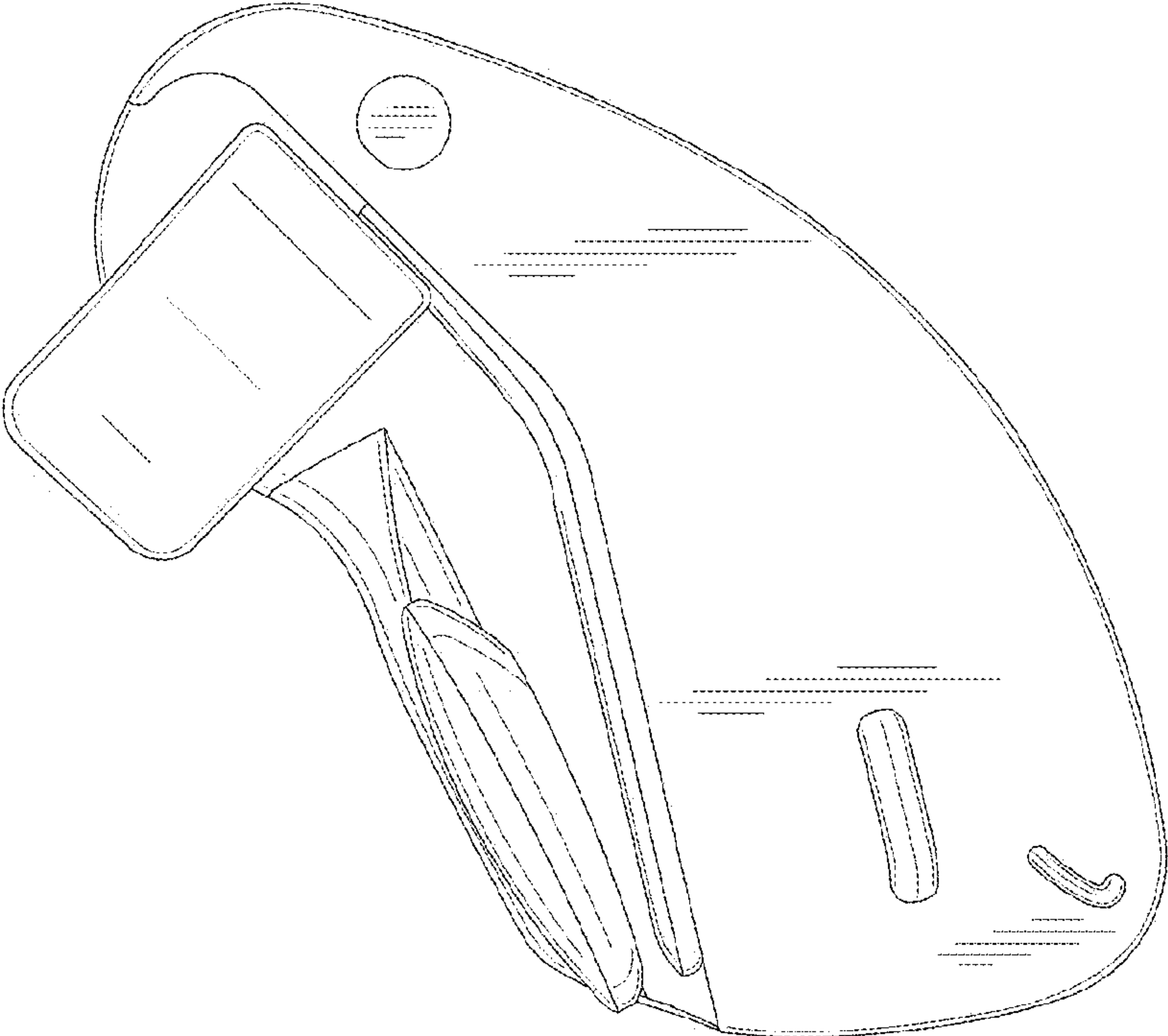


FIG.10

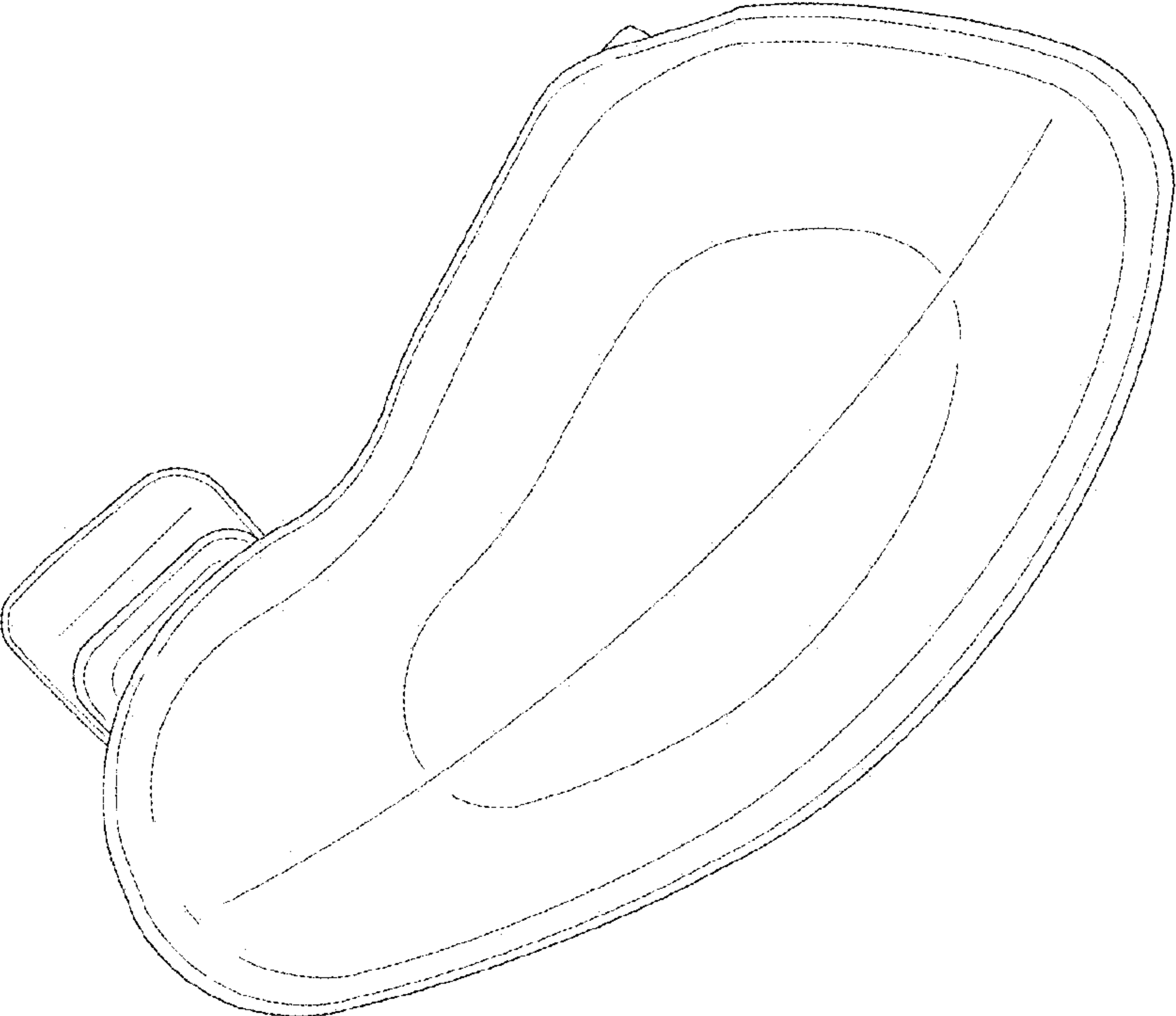


FIG.12

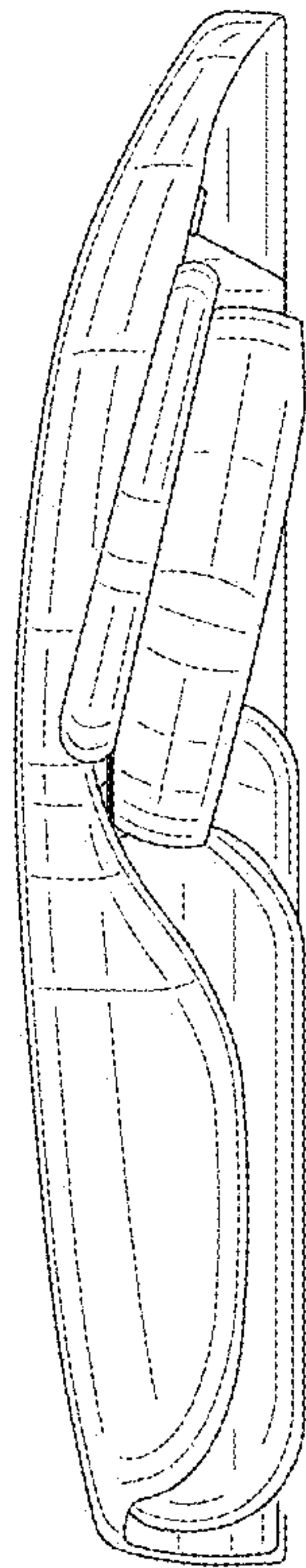


FIG.13

