



US00D705556S

(12) **United States Design Patent**
Udagawa et al.

(10) **Patent No.:** **US D705,556 S**

(45) **Date of Patent:** **** May 27, 2014**

(54) **BENCH**

(71) Applicant: **Knoll, Inc.**, East Greenville, PA (US)

(72) Inventors: **Masamichi Udagawa**, New York, NY (US); **Sigrid Moeslinger**, New York, NY (US)

(73) Assignee: **Knoll, Inc.**, East Greenville, PA (US)

(**) Term: **14 Years**

(21) Appl. No.: **29/456,942**

(22) Filed: **Jun. 5, 2013**

(51) **LOC (10) Cl.** **06-01**

(52) **U.S. Cl.**
USPC **D6/349**

(58) **Field of Classification Search**

CPC A47C 5/02; A47C 9/00; A47C 11/00;
A47C 13/00; A47C 9/06; A47C 7/16
USPC D6/330, 337, 341, 346, 349-355, 357,
D6/362, 364-373, 376, 377, 381, 645, 656,
D6/658, 665, 674, 675.5, 676, 685-692,
D6/694, 704, 705, 707, 707.19, 708,
D6/716.1-716.6, 717, 717.2; 297/423.12,
297/423.13, 423.37, 461, 462, 115, 116,
297/135, 160-162

See application file for complete search history.

(56) **References Cited**

U.S. PATENT DOCUMENTS

D146,378 S * 2/1947 Obrig D6/349
D273,351 S * 4/1984 Crockett D6/349
D303,877 S * 10/1989 Norton D6/349
D357,364 S * 4/1995 Dionne et al. D6/368
D365,937 S * 1/1996 Skalka D6/370
D481,210 S * 10/2003 Chipman D6/349
D496,801 S * 10/2004 Vanderminden, Sr. D6/349

D555,919 S * 11/2007 Baade et al. D6/349
D556,466 S * 12/2007 Foster D6/349
D661,129 S * 6/2012 Schweikarth et al. D6/484
D691,386 S * 10/2013 Bosman D6/371

OTHER PUBLICATIONS

NeoCon 2013. [online] Retrieved Jan. 9, 2014 from URL: <<http://www.knoll.com/design-plan/resources/knoll-at-neocon-2013>>.*

* cited by examiner

Primary Examiner — Susan Bennett Hattan

Assistant Examiner — Vy Koenig

(74) *Attorney, Agent, or Firm* — Buchanan Ingersoll & Rooney PC

(57) **CLAIM**

The ornamental design for a bench, as shown and described.

DESCRIPTION

FIG. 1 is a perspective view of a bench showing our new design;

FIG. 2 is a front elevational view thereof;

FIG. 3 is a rear elevational view thereof;

FIG. 4 is a top plan view thereof;

FIG. 5 is a bottom plan view thereof;

FIG. 6 is a left side elevational view thereof;

FIG. 7 is a right side elevational view thereof;

FIG. 8 is a perspective view of an alternate embodiment showing our new design;

FIG. 9 is a front elevational view thereof;

FIG. 10 is a rear elevational view thereof;

FIG. 11 is a top plan view thereof;

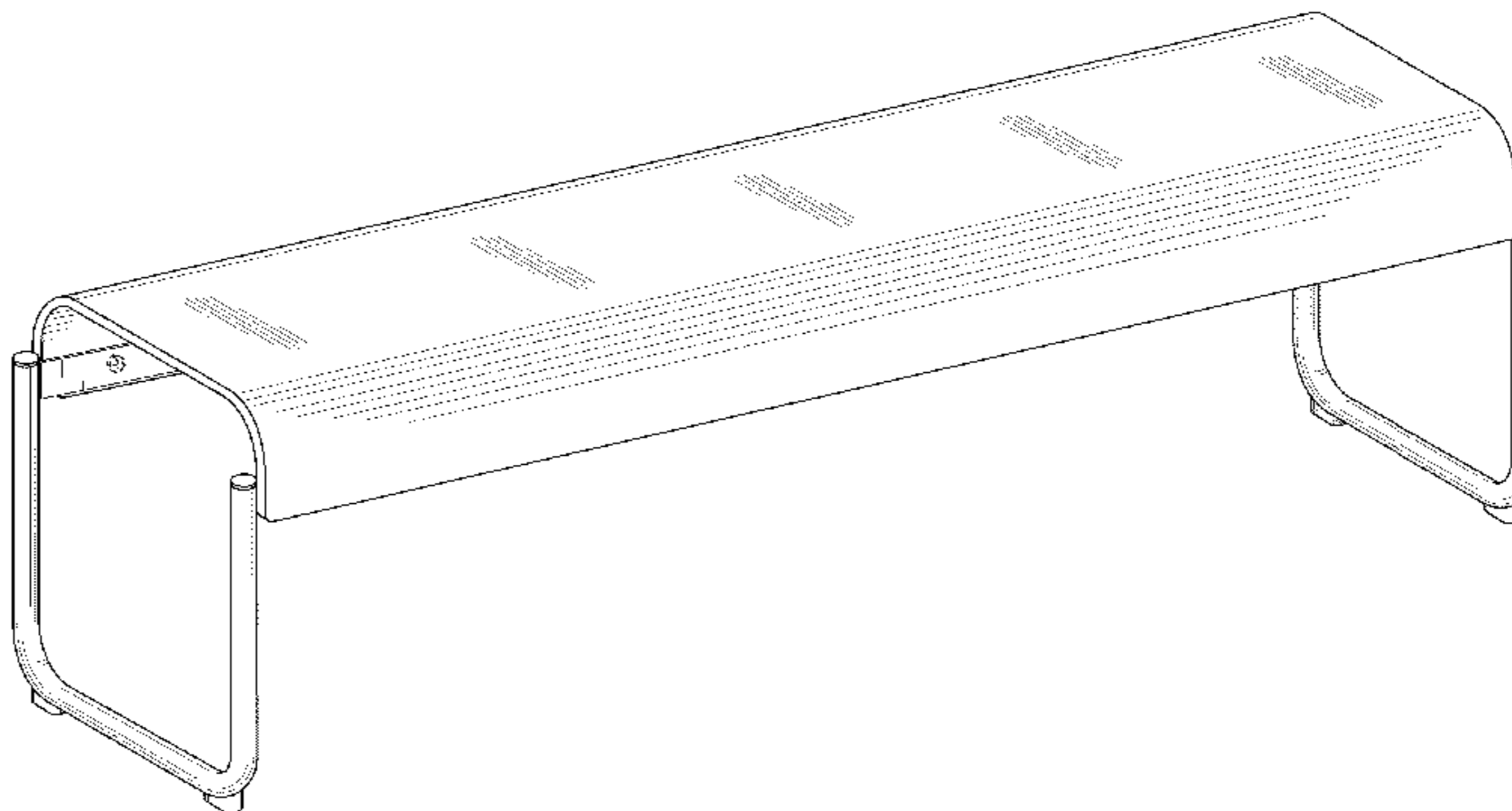
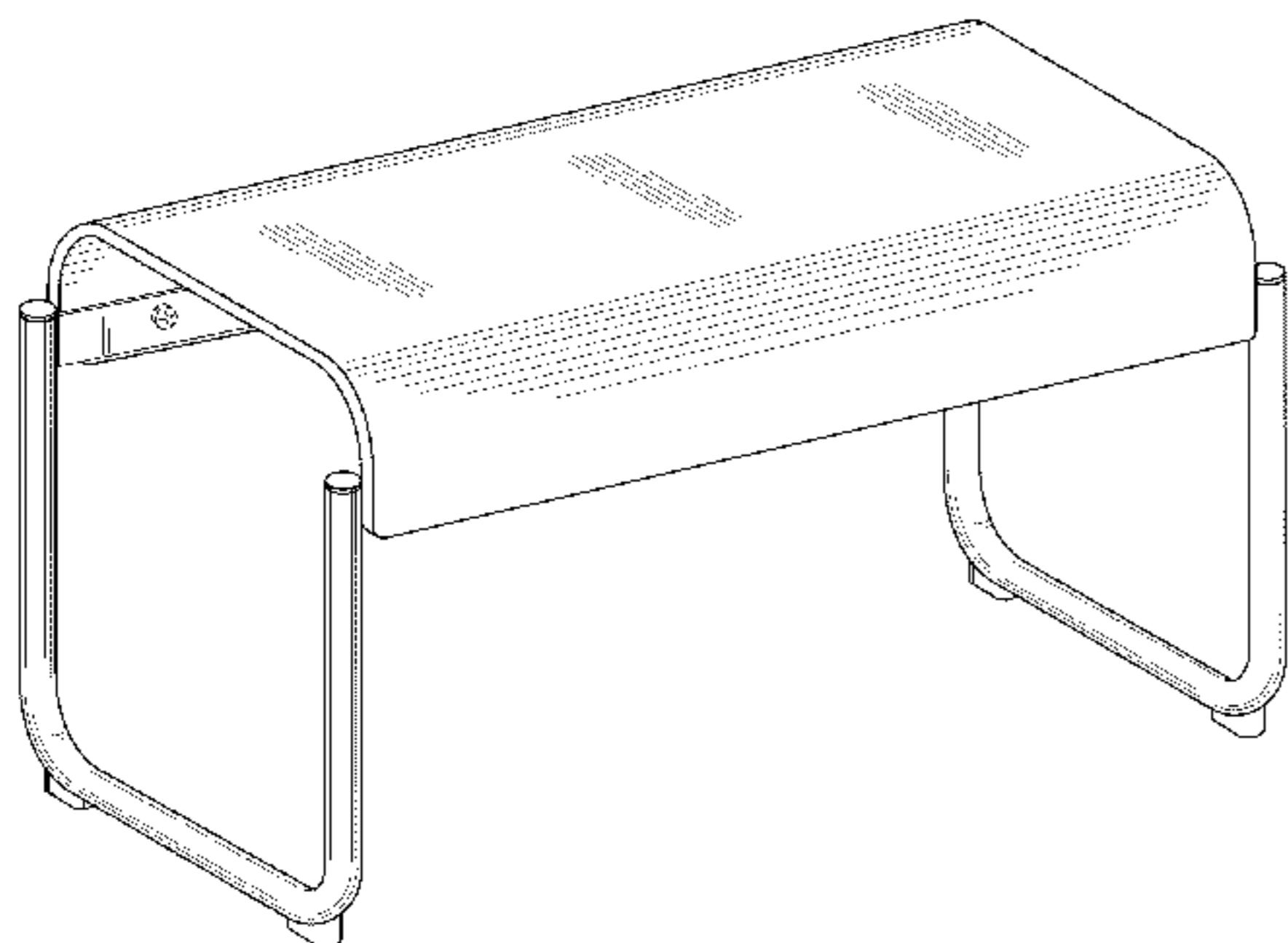
FIG. 12 is a bottom plan view thereof;

FIG. 13 is a left side elevational view thereof; and,

FIG. 14 is a right side elevational view thereof.

The broken lines shown in the drawings depict environmental features that form no part of the claimed design.

1 Claim, 8 Drawing Sheets



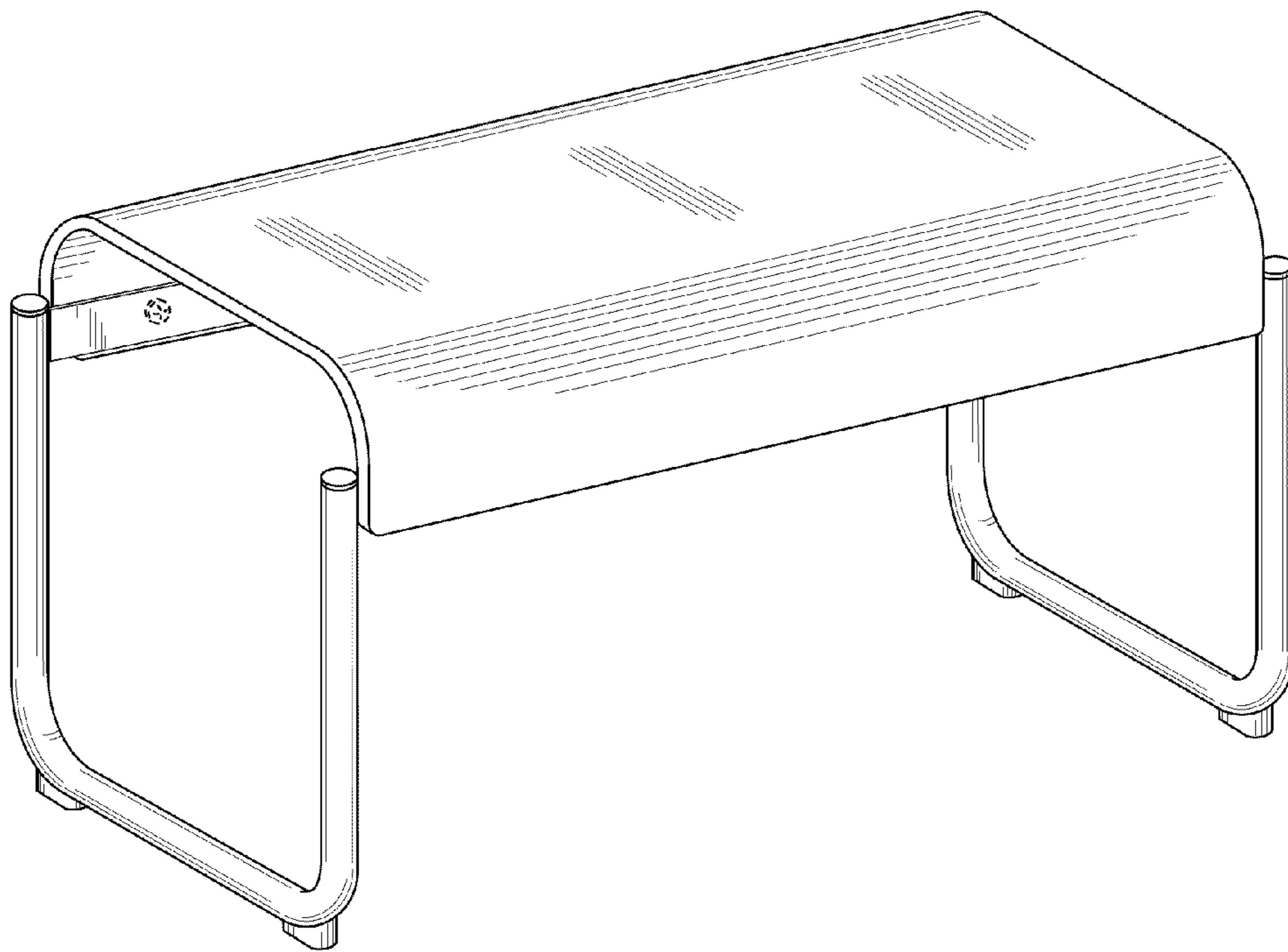


FIG. 1

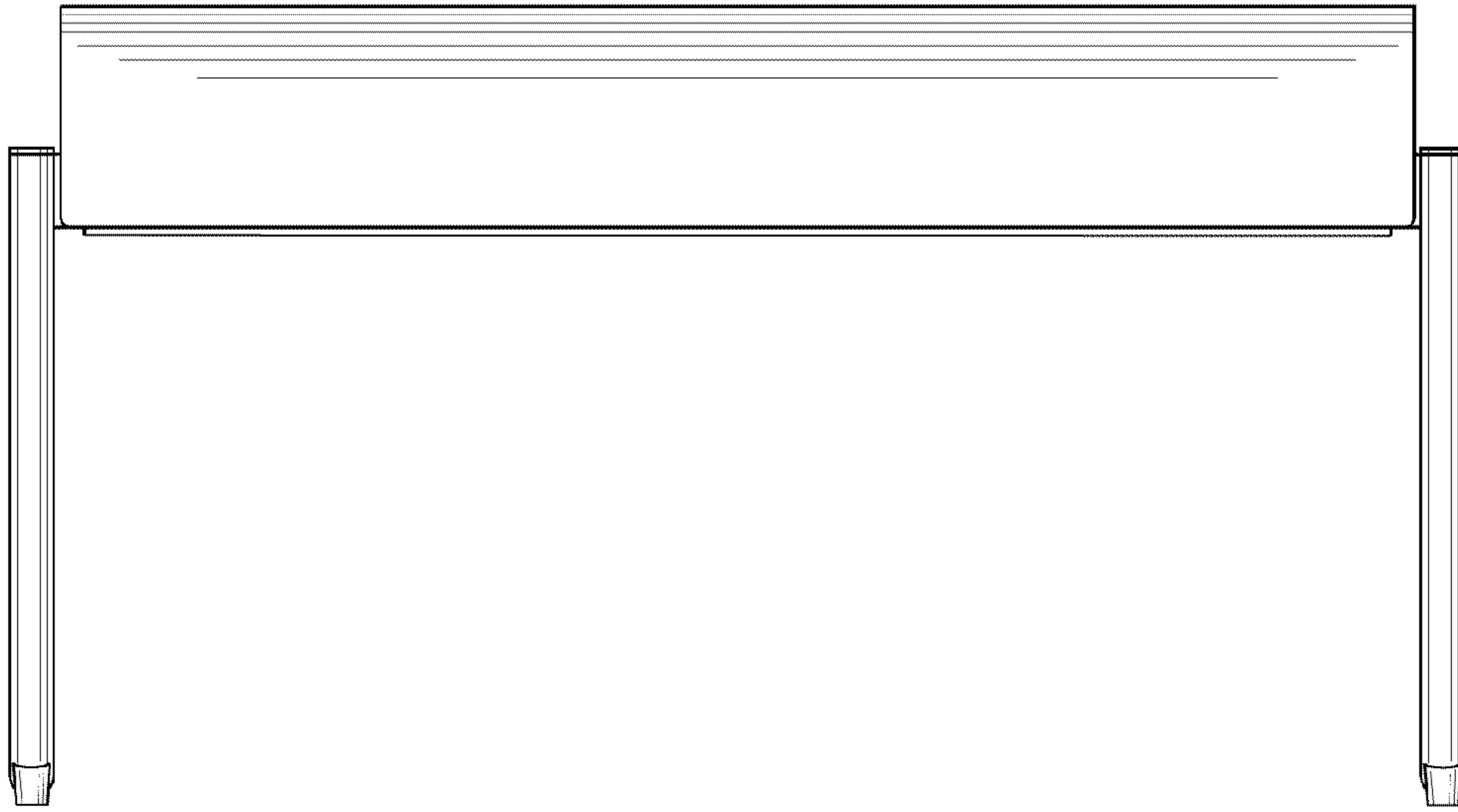


FIG. 2



FIG. 3

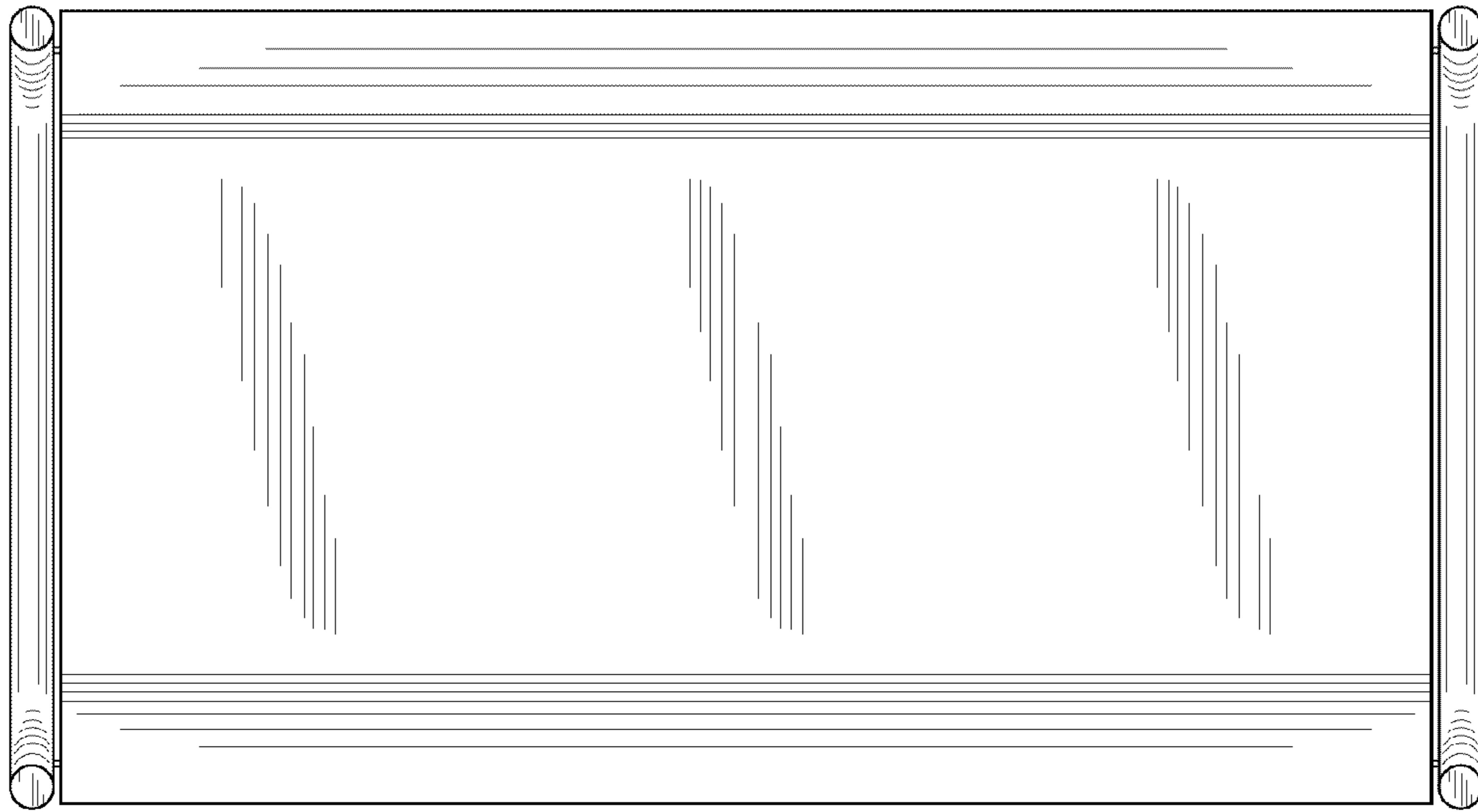


FIG. 4

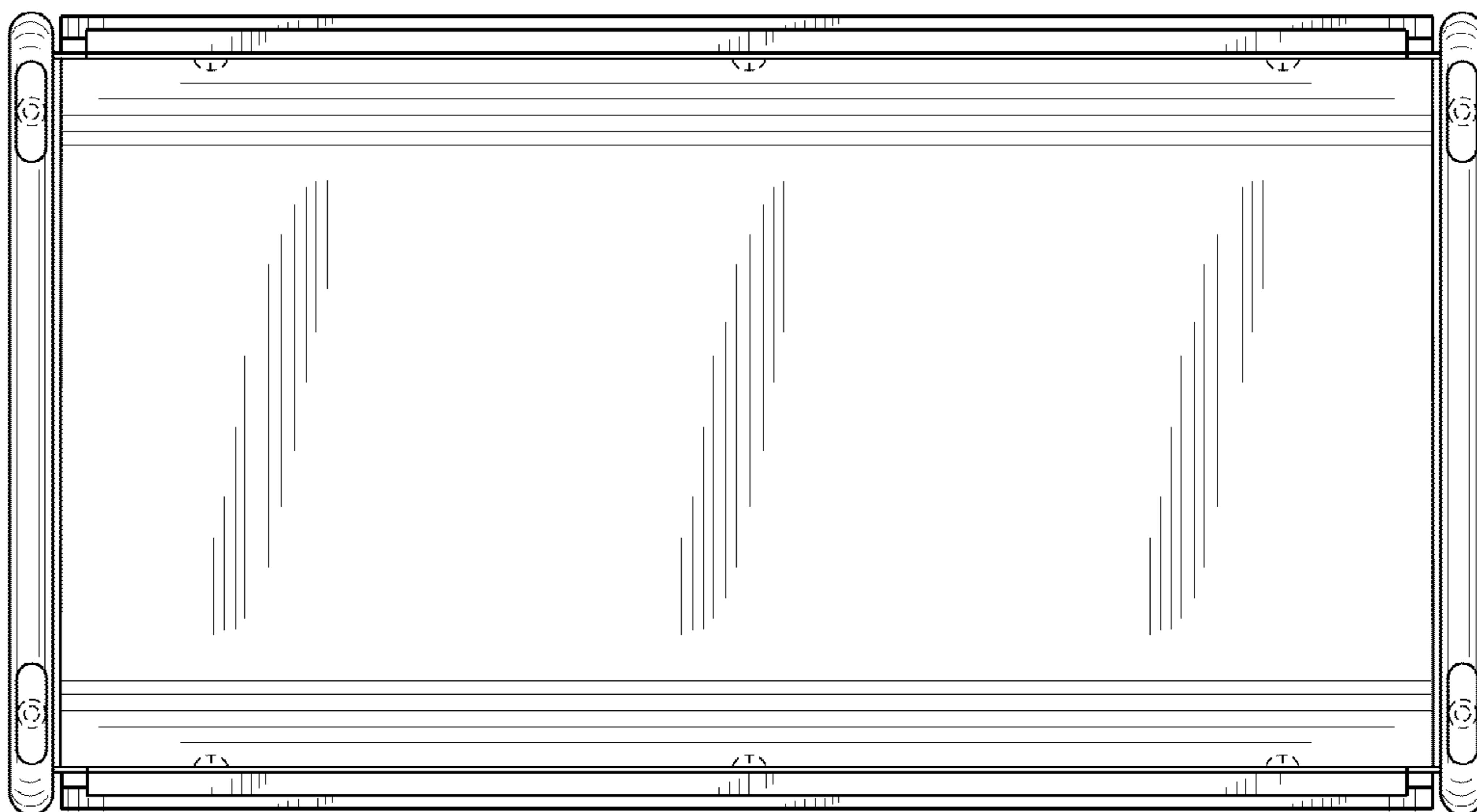


FIG. 5

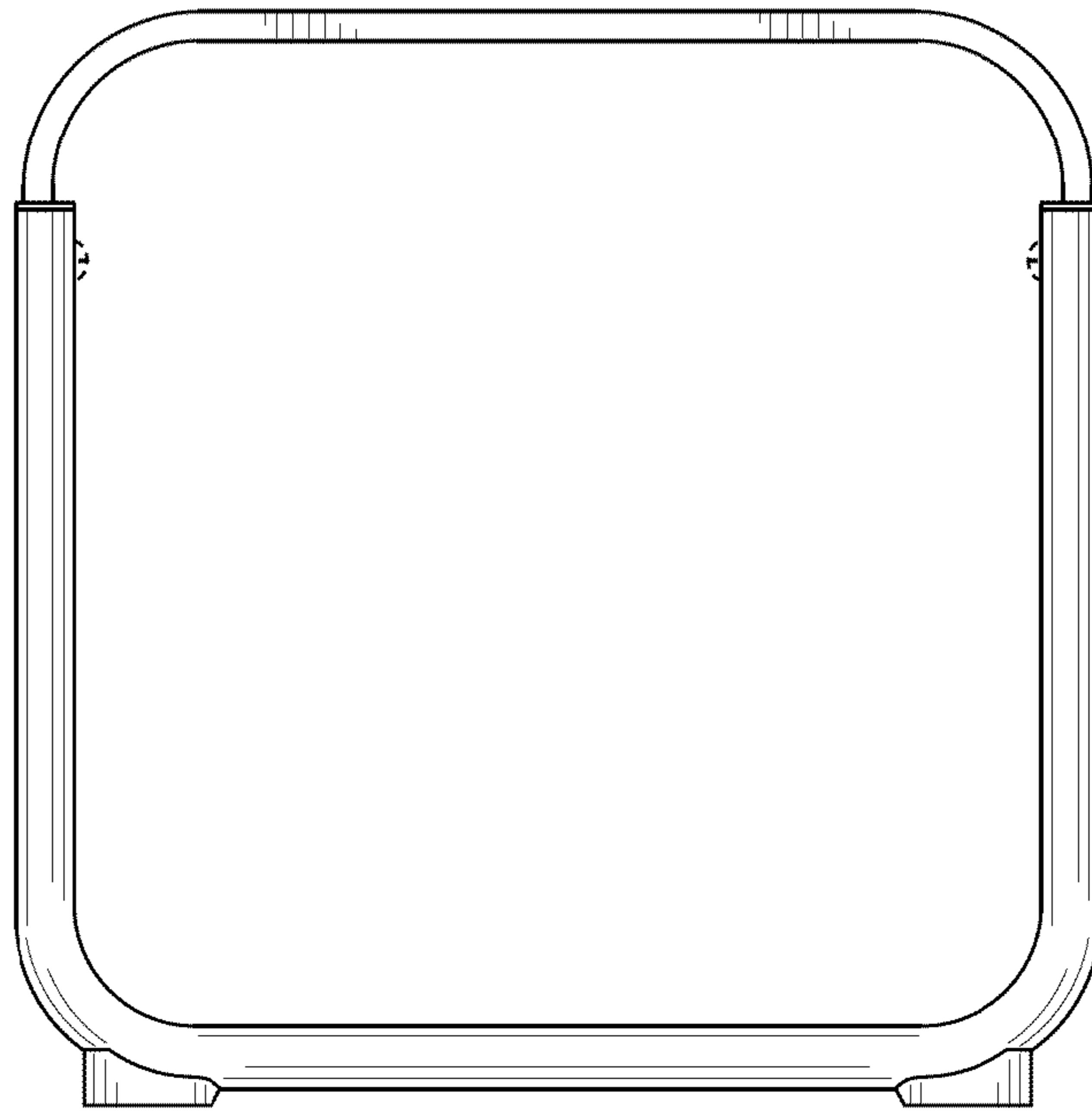


FIG. 6

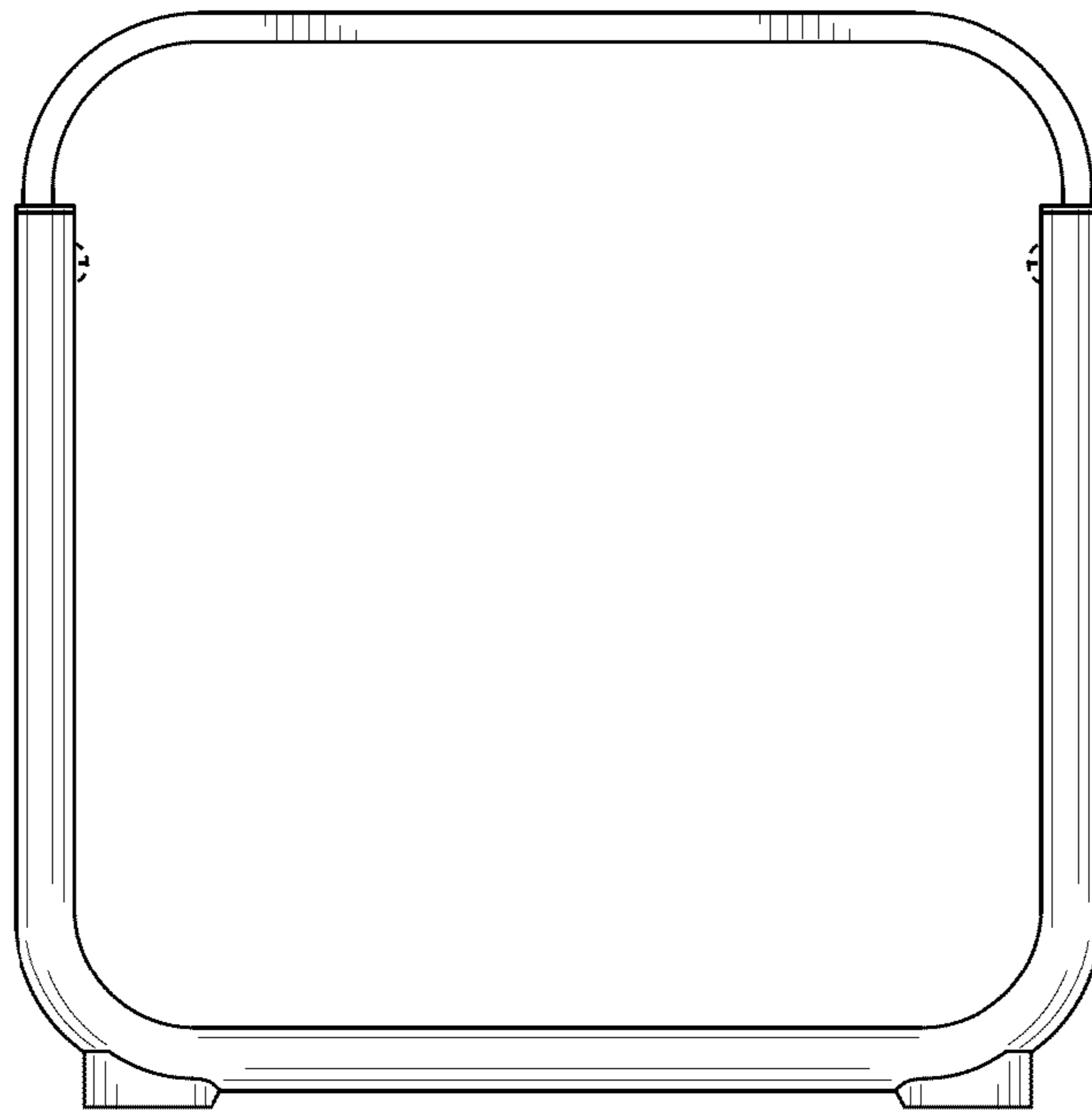


FIG. 7

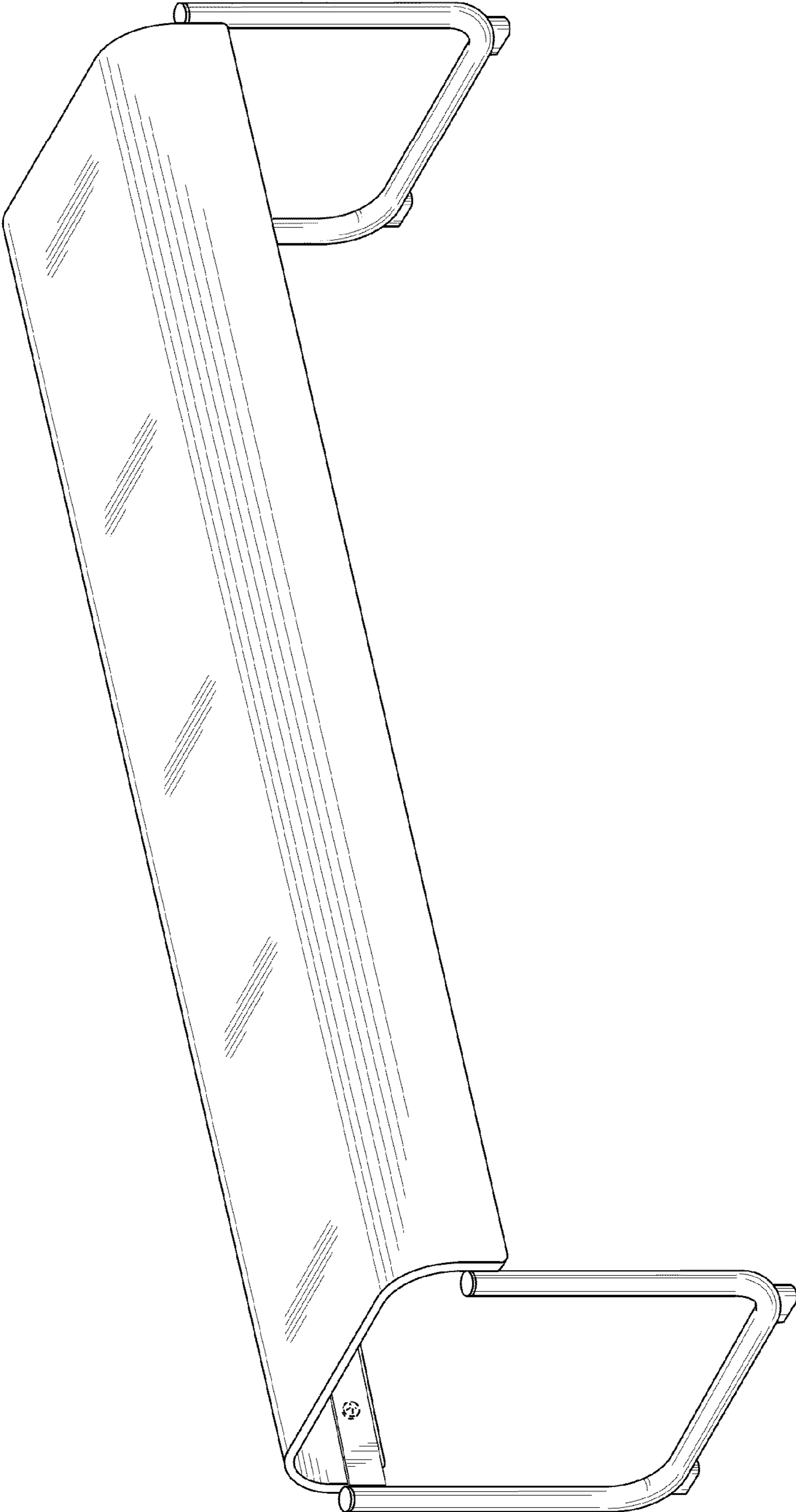


FIG. 8

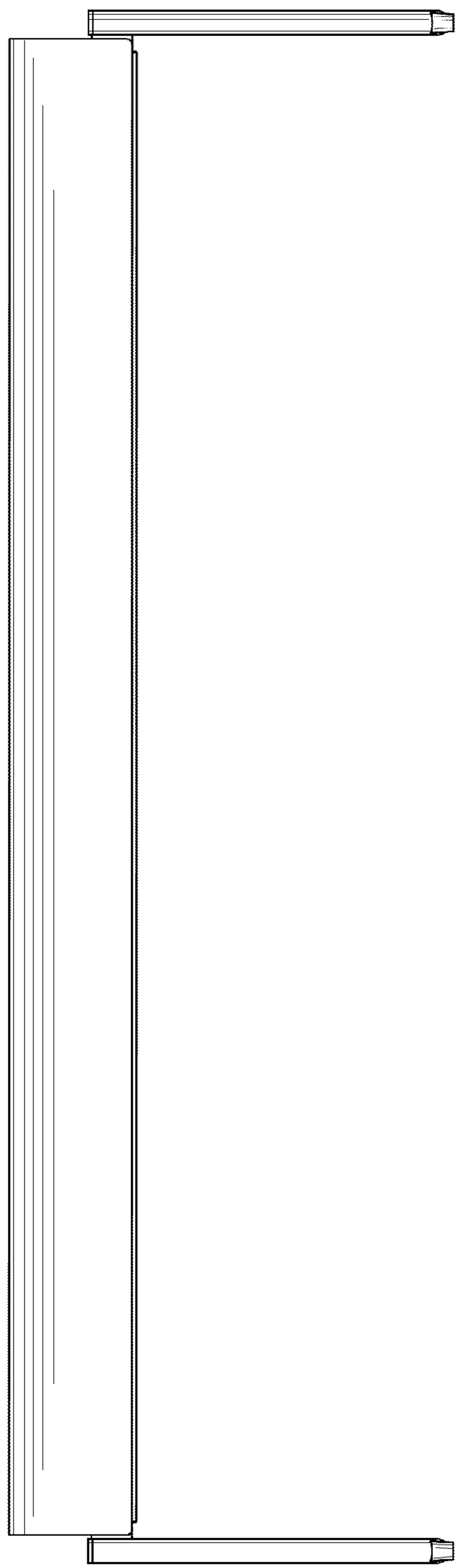


FIG. 9

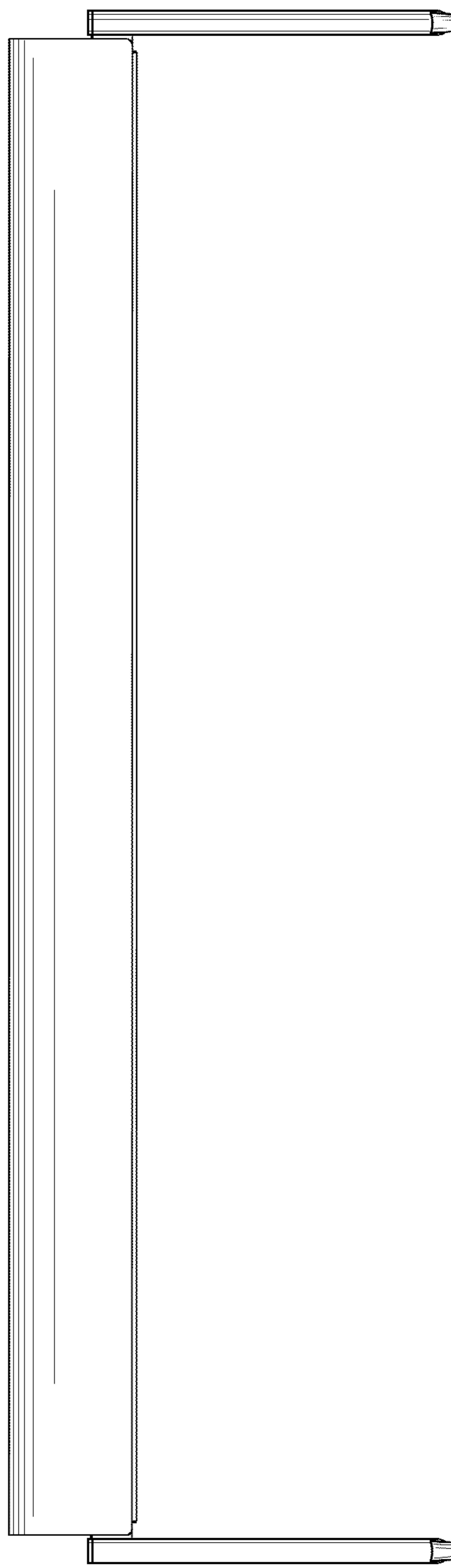


FIG. 10

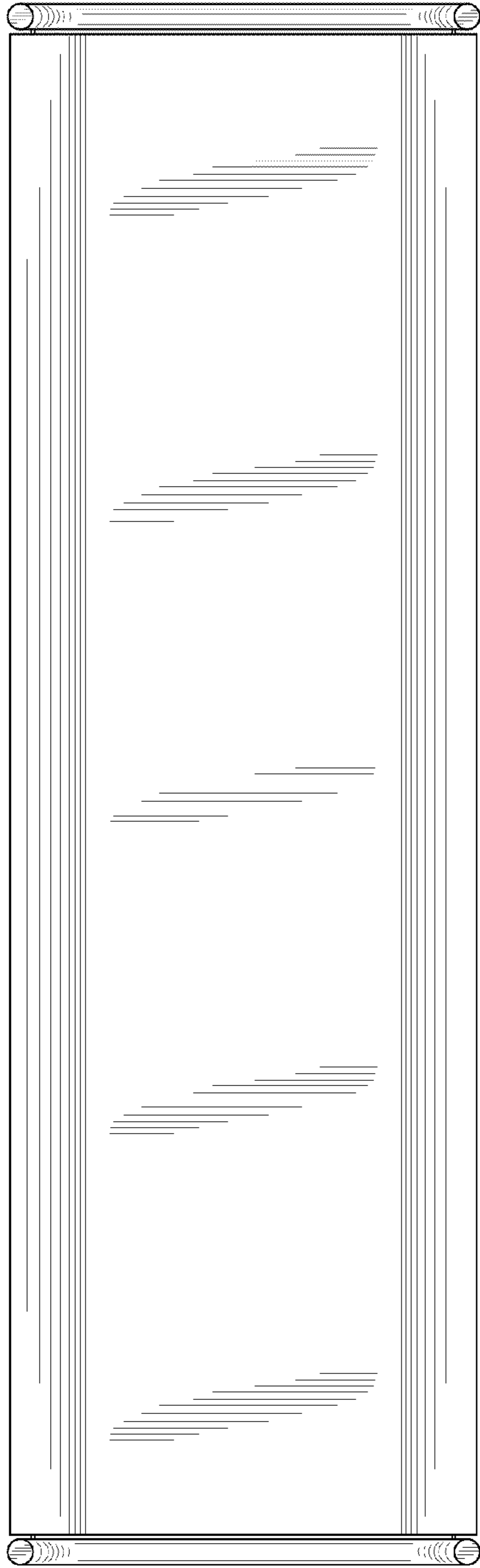


FIG. 11

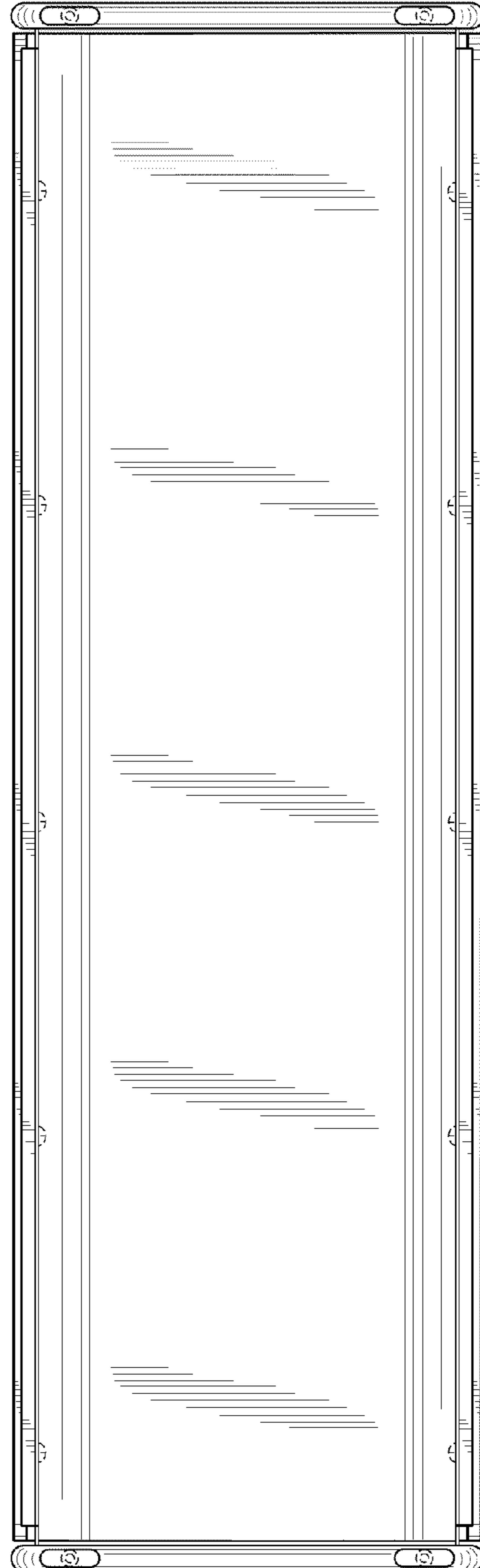


FIG. 12

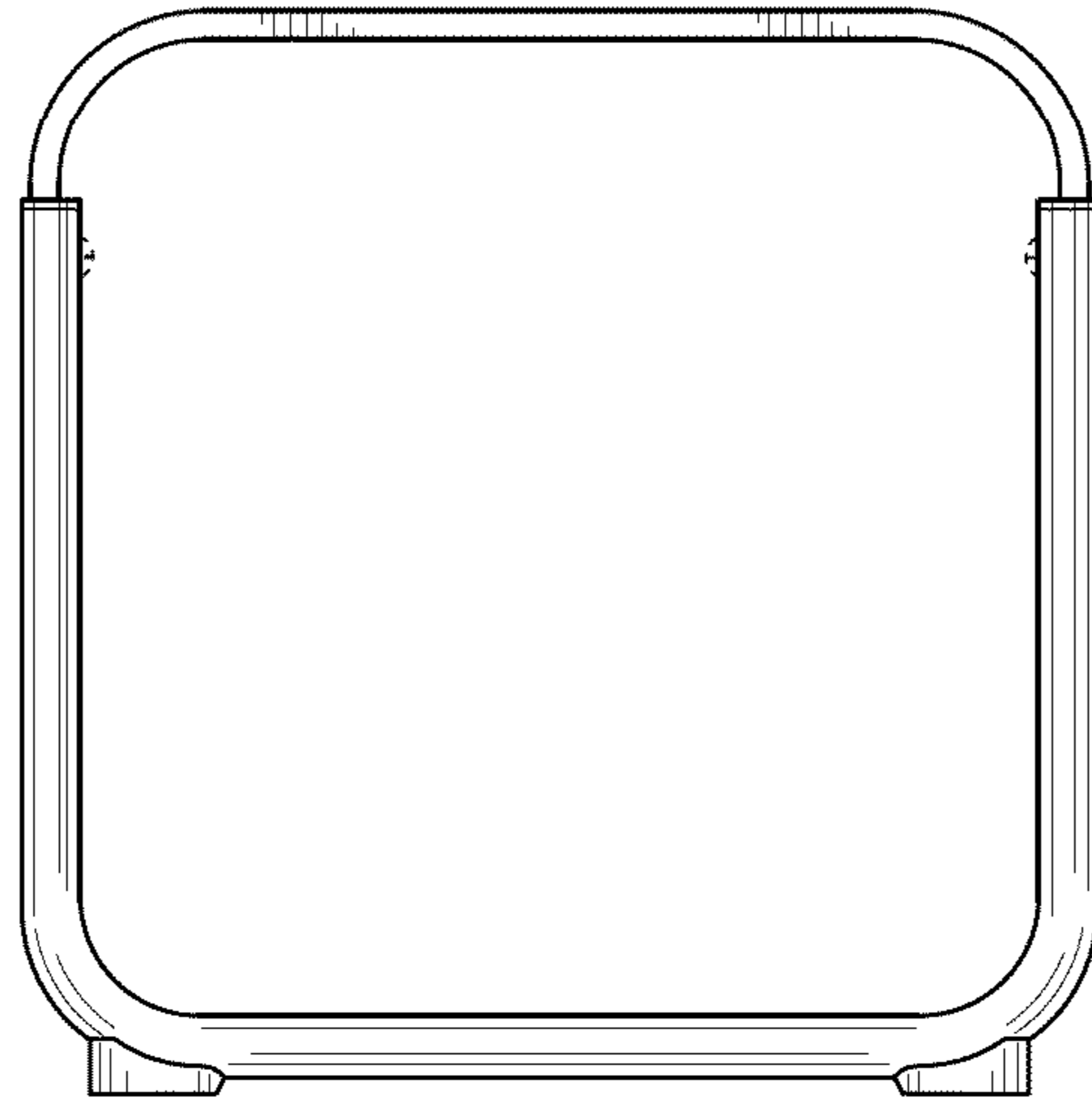


FIG. 13

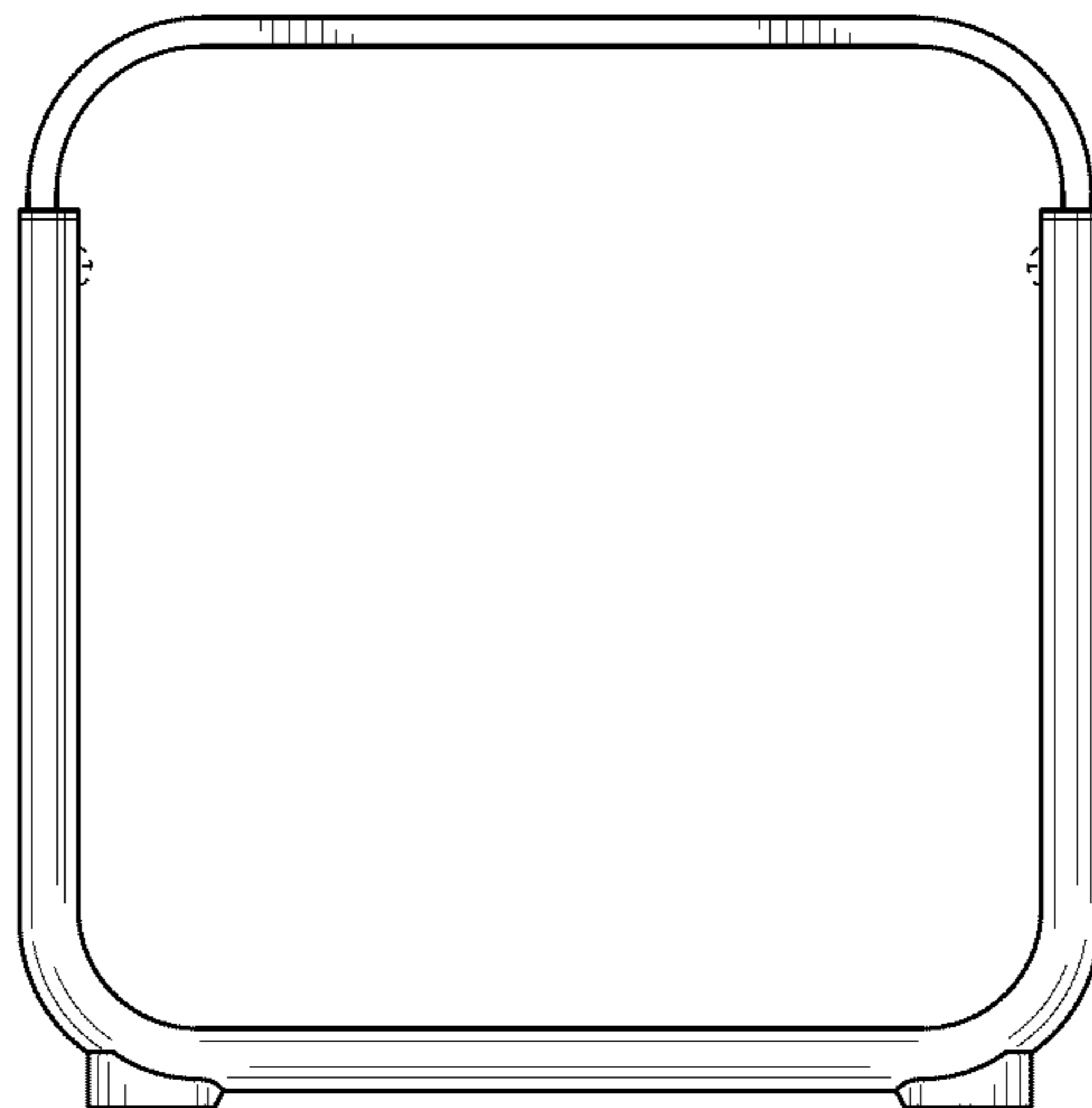


FIG. 14