

US00D705555S

(12) **United States Design Patent**
Adjaye

(10) **Patent No.:** **US D705,555 S**
(45) **Date of Patent:** **** May 27, 2014**

(54) **OTTOMAN**
(71) Applicant: **Knoll, Inc.**, East Greenville, PA (US)
(72) Inventor: **David Adjaye**, London (FX)
(73) Assignee: **Knoll, Inc.**, East Greenville, PA (US)
(**) Term: **14 Years**
(21) Appl. No.: **29/456,623**
(22) Filed: **May 31, 2013**
(51) **LOC (10) Cl.** **06-01**
(52) **U.S. Cl.**
USPC **D6/349**
(58) **Field of Classification Search**
CPC A47C 3/18; A47C 3/19; A47C 3/20;
A47C 5/02; A47C 9/00; A47C 11/00; A47C
13/00; A47C 9/06; A47C 7/16
USPC D6/330, 337, 341, 346, 349-355, 357,
D6/362, 364-373, 376, 377, 381, 645, 656,
D6/658, 665, 674, 675.5, 676, 685-692,
D6/694, 704, 705, 707, 707.19, 708,
D6/716.1-716.6, 717, 717.2; 297/423.12,
297/423.13, 423.37, 461, 462, 115, 116,
297/135, 160-162
See application file for complete search history.

5,382,081 A * 1/1995 Henry 297/440.12
D493,966 S * 8/2004 Rach D6/349
D609,505 S * 2/2010 Phookan et al. D6/485
D644,447 S * 9/2011 Miller et al. D6/349
D651,818 S * 1/2012 Omori D6/349
D668,463 S * 10/2012 Eicke D6/349
D669,696 S * 10/2012 Lade D6/349
D669,697 S * 10/2012 Lade D6/349
D695,031 S * 12/2013 Jehs et al. D6/349

OTHER PUBLICATIONS

The Financial Times Celebrates the Washington Collection for Knoll™ by David Adjaye. [online] Sep. 9, 2013. Retrieved from URL: <<http://www.knoll.com/knollnewsdetail/financial-times-celebrates-the-washington-collection-for-knoll-by-david-adjaye>>.*

* cited by examiner

Primary Examiner — Susan Bennett Hattan
Assistant Examiner — Vy Koenig
(74) *Attorney, Agent, or Firm* — Buchanan Ingersoll & Rooney PC

(57) **CLAIM**

The ornamental design for an ottoman, as shown and described.

DESCRIPTION

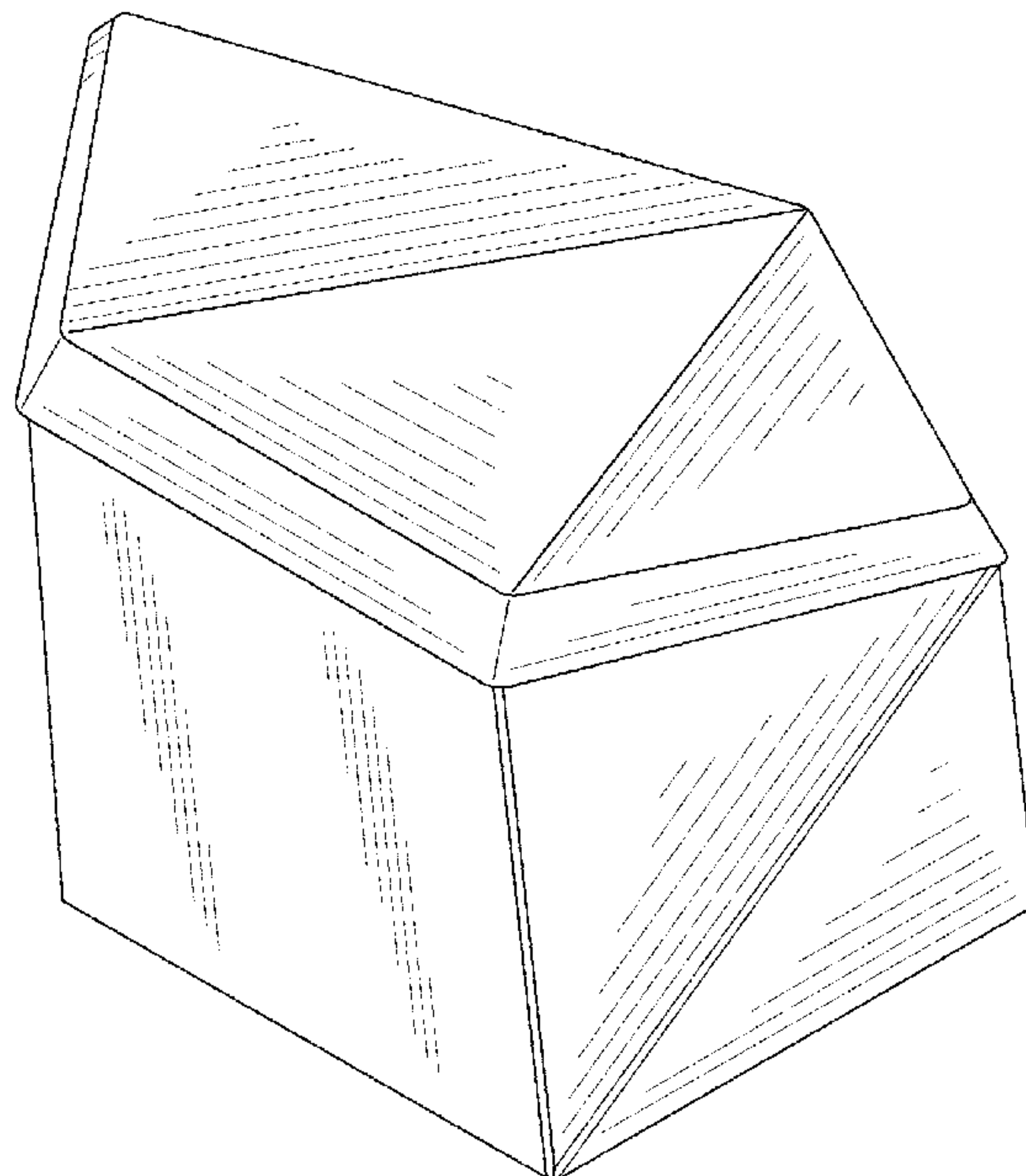
FIG. 1 is a perspective view of an ottoman showing my new design;
FIG. 2 is a front elevational view thereof;
FIG. 3 is a rear elevational view thereof;
FIG. 4 is a top plan view thereof;
FIG. 5 is a bottom plan view thereof;
FIG. 6 is a right side elevational view thereof; and,
FIG. 7 is a left side elevational view thereof.

1 Claim, 4 Drawing Sheets

(56) **References Cited**

U.S. PATENT DOCUMENTS

D215,428 S * 9/1969 Tapert D6/352
D248,697 S * 8/1978 Miller D6/349
D273,922 S * 5/1984 Geneve et al. D6/375
4,841,882 A * 6/1989 Ehrman 108/115
D328,990 S * 9/1992 Kwiescinski D6/480



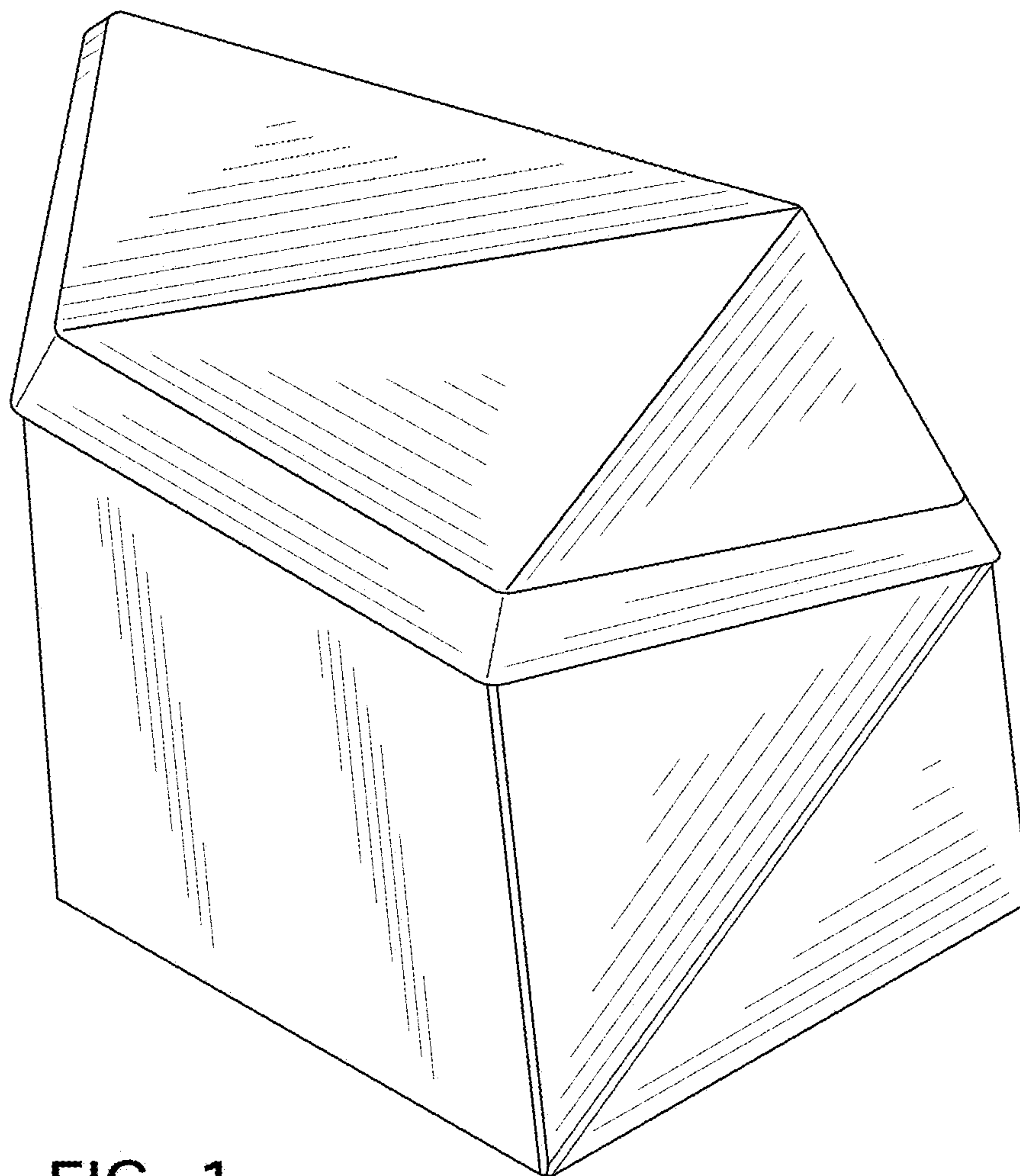


FIG. 1

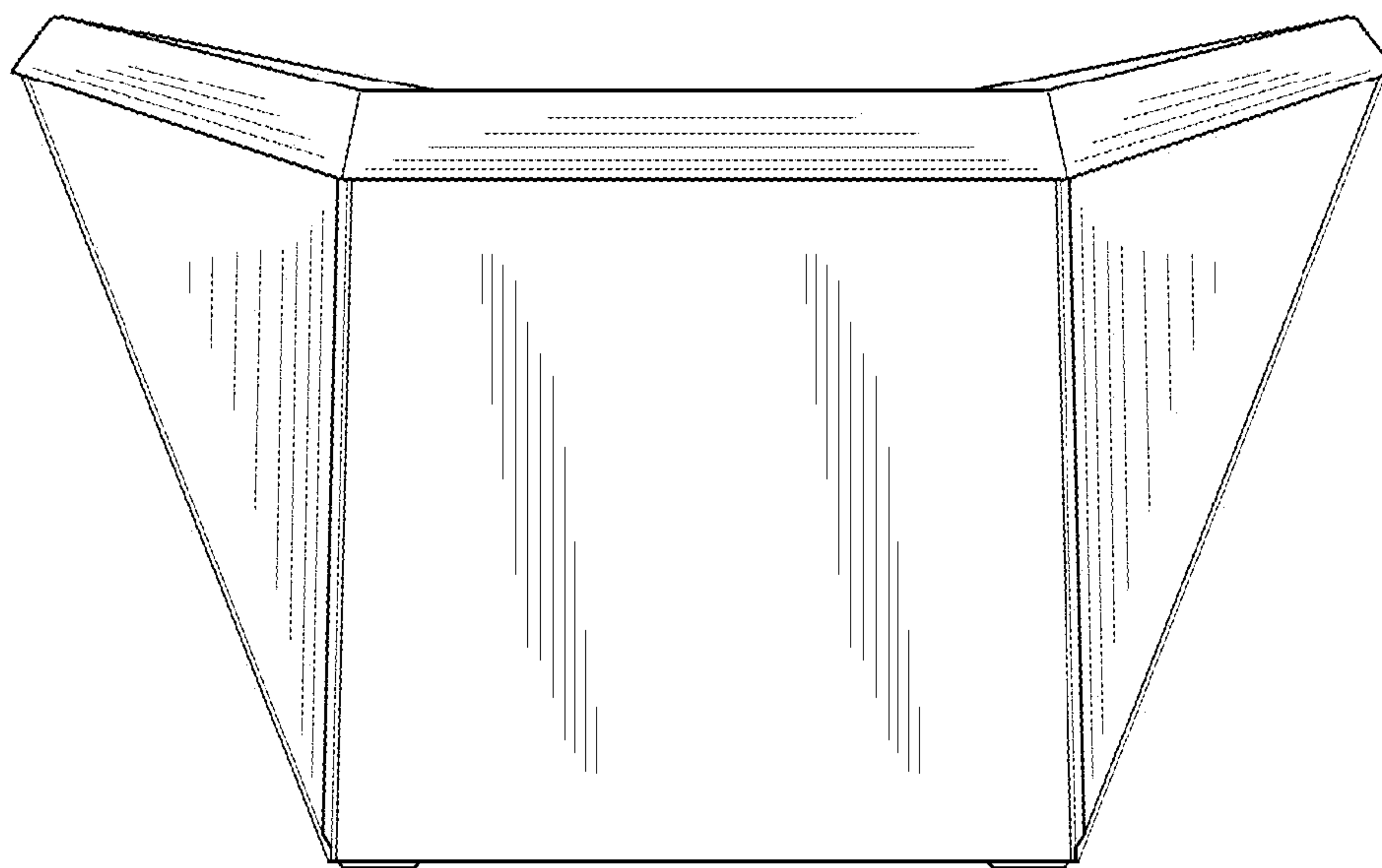


FIG. 2

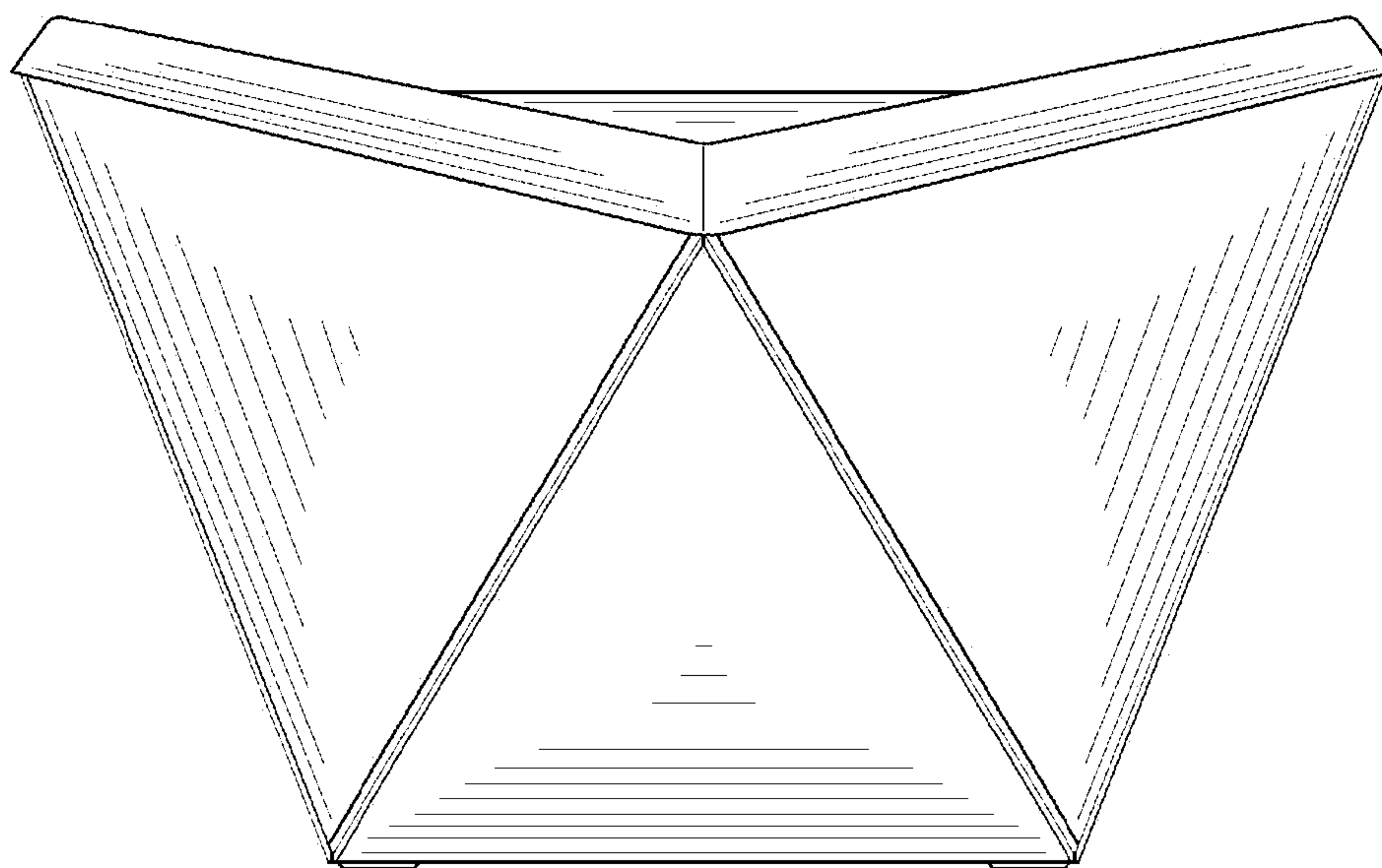


FIG. 3

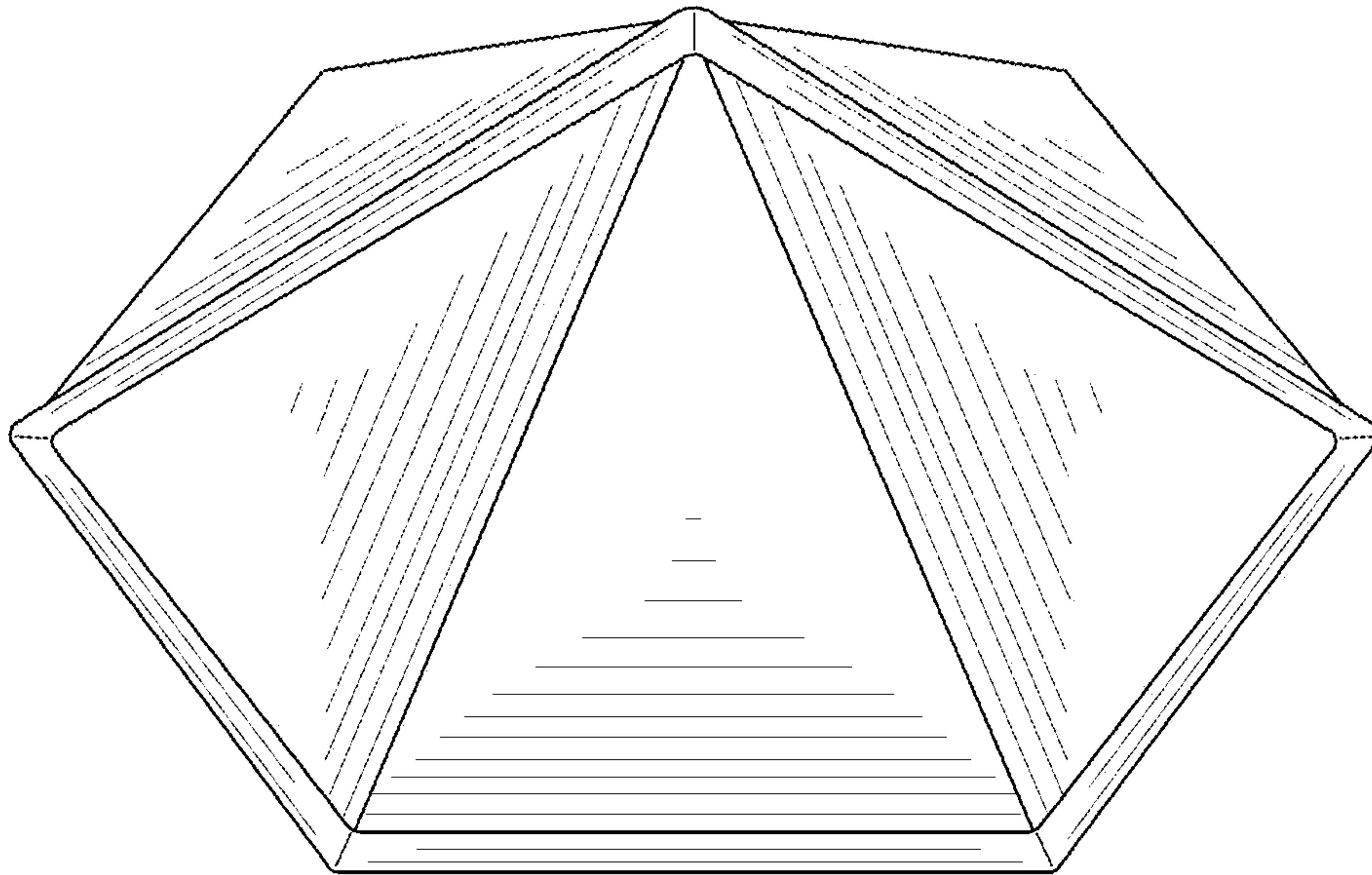


FIG. 4

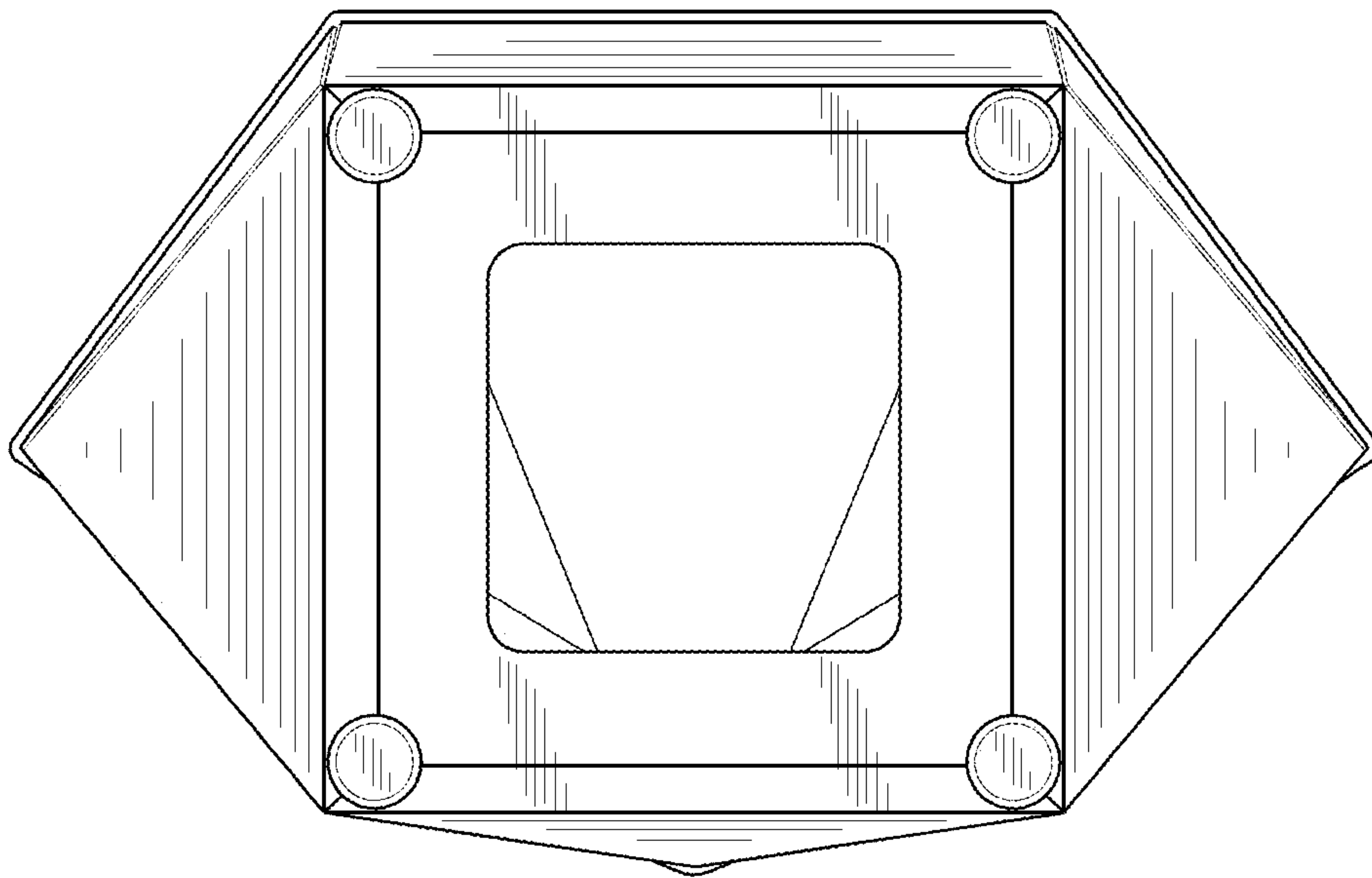


FIG. 5

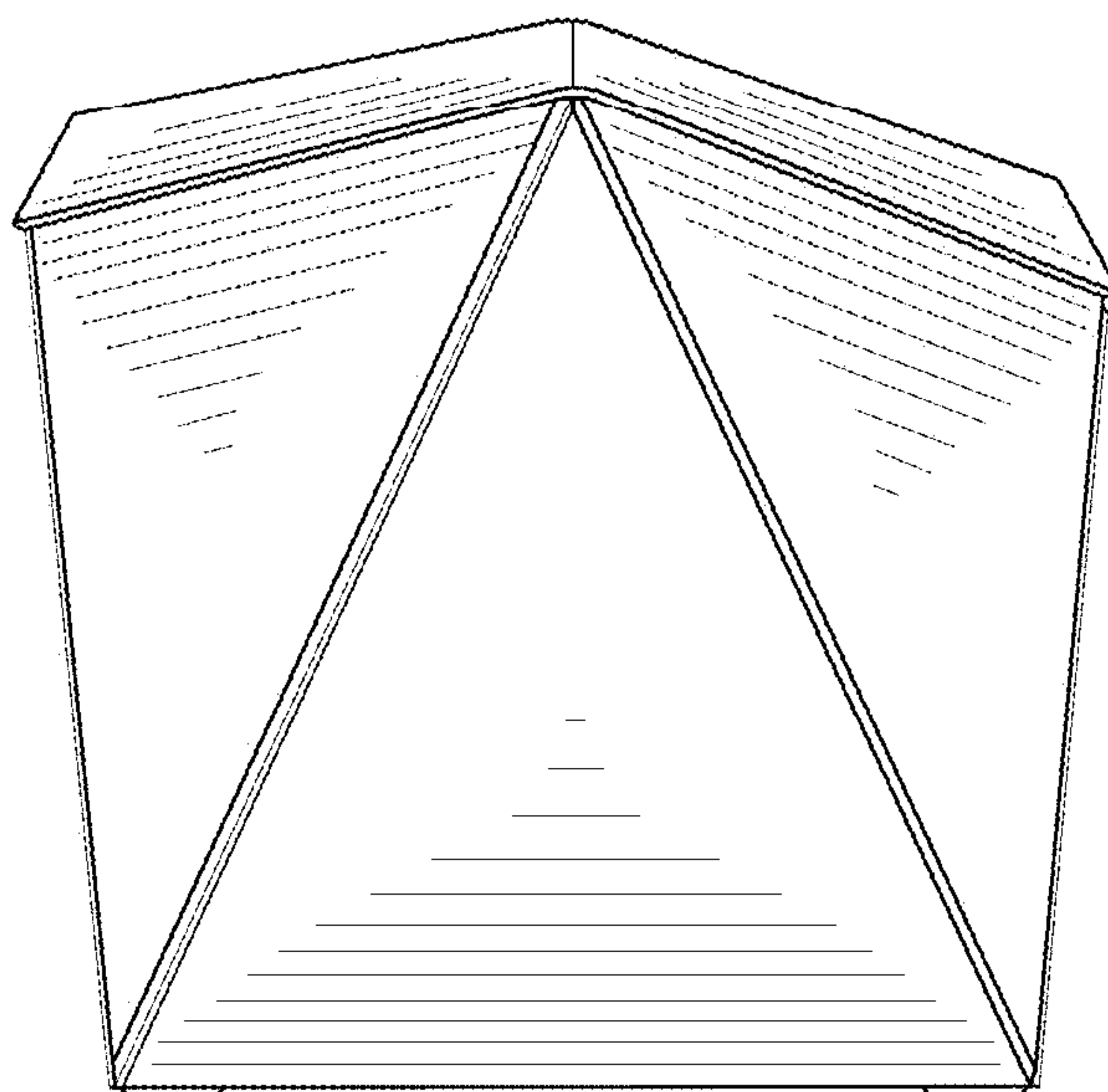


FIG. 6

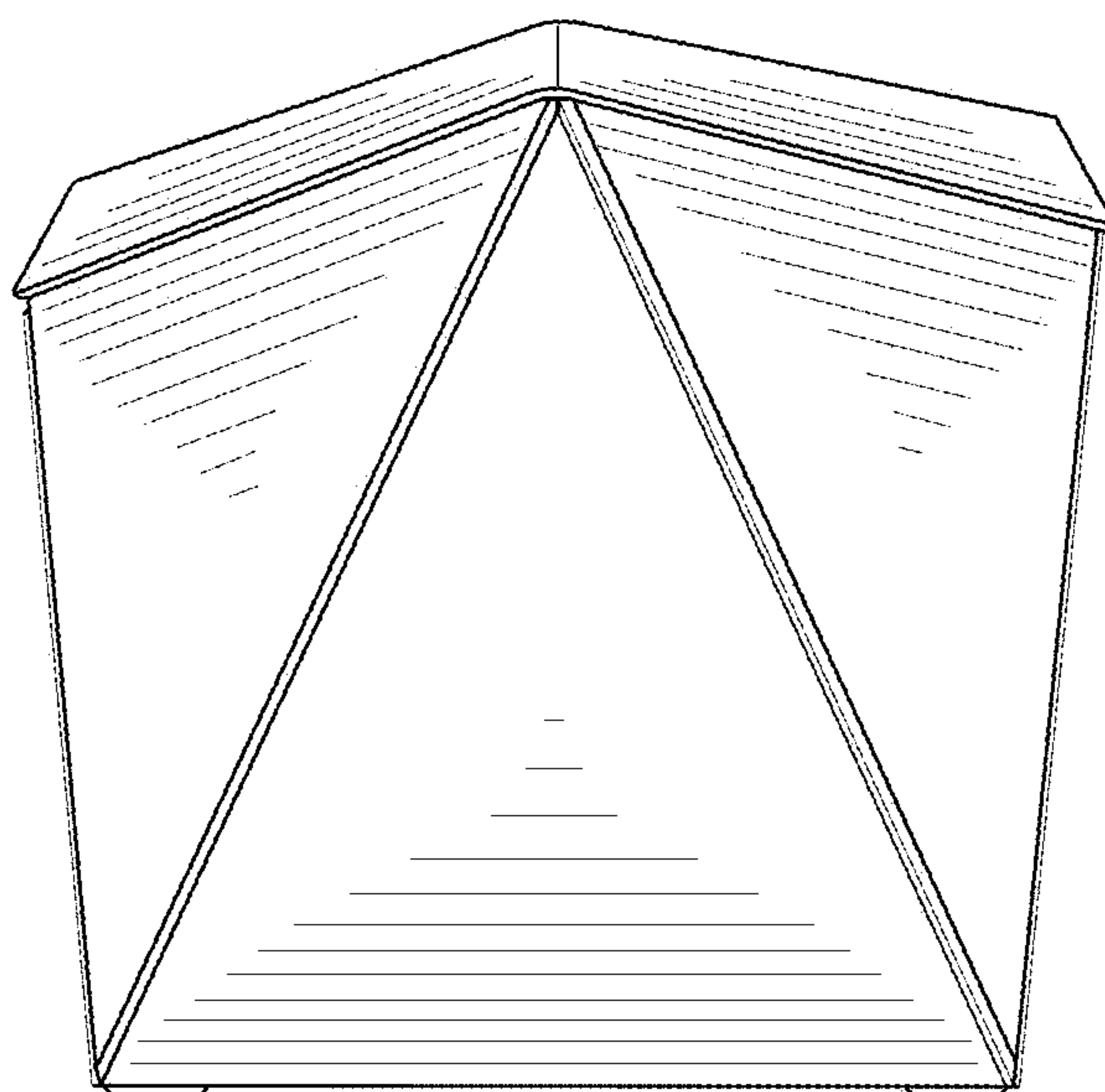


FIG. 7