



US00D705552S

(12) **United States Design Patent**
Zheng

(10) **Patent No.:** **US D705,552 S**

(45) **Date of Patent:** **** May 27, 2014**

(54) **HAMMOCK**

(71) Applicant: **Jarder Outdoor Ningbo Co., Ltd.**,
Ningbo (CN)

(72) Inventor: **Qiao Zheng**, Ningbo (CN)

(73) Assignee: **Jarder Outdoor Ningbo Co., Ltd.**,
Zhejiang (CN)

(**) Term: **14 Years**

(21) Appl. No.: **29/455,519**

(22) Filed: **May 21, 2013**

(51) **LOC (10) Cl.** **06-01**

(52) **U.S. Cl.**
USPC **D6/347**

(58) **Field of Classification Search**
USPC D6/334–336, 344, 347, 374, 375, 381,
D6/386, 387, 716, 716.1, 716.2, 716.3,
D6/716.4; 297/273, 277, 452.12, 452.13,
297/452.19, 452.2; D7/601; D21/823;
D30/133; 472/118, 125
See application file for complete search history.

(56) **References Cited**

U.S. PATENT DOCUMENTS

3,528,657 A * 9/1970 Krupsky 472/118
D230,921 S * 3/1974 Bonnell D6/347
D258,252 S * 2/1981 Gass D6/347
D281,206 S * 11/1985 Halsall D6/347

5,588,702 A * 12/1996 Litwin 297/277
D531,826 S * 11/2006 Nutsos D6/347
D548,472 S * 8/2007 Habing et al. D6/347
D660,608 S * 5/2012 Hasman D6/347

* cited by examiner

Primary Examiner — Mimoso De

(74) *Attorney, Agent, or Firm* — Osha Liang LLP

(57) **CLAIM**

The ornamental design for a hammock, as shown and described.

DESCRIPTION

FIG. 1 is a perspective view of a hammock according to a design of the invention.

FIG. 2 is another perspective view of the design of the invention.

FIG. 3 is a top side view of the design according to the invention.

FIG. 4 is a rear side view of the design according to the invention.

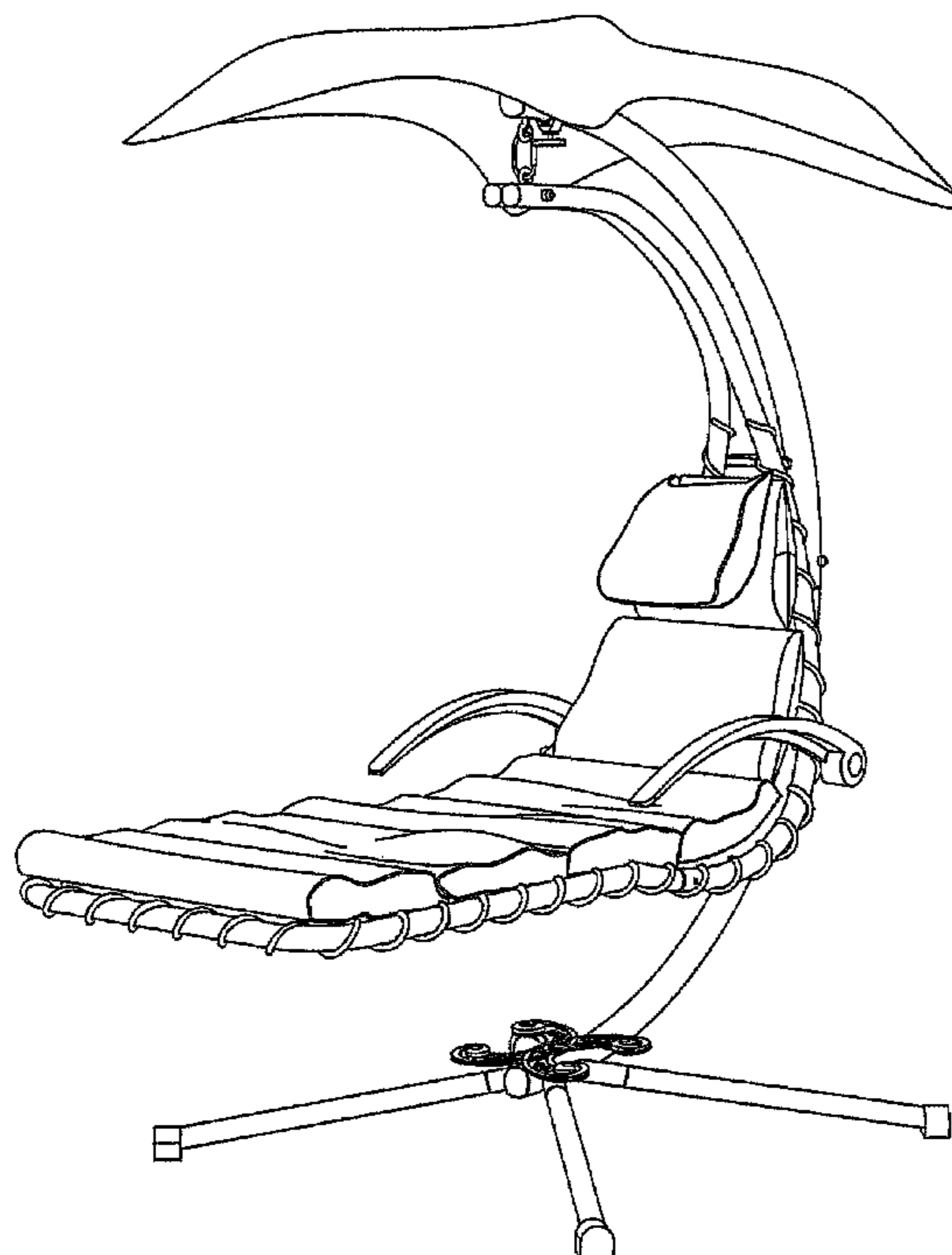
FIG. 5 is a front side view of the design according to the invention.

FIG. 6 is a bottom side view of the design according to the invention.

FIG. 7 is a right side view of the design according to the invention; and,

FIG. 8 is a left side view of the design according to the invention.

1 Claim, 8 Drawing Sheets



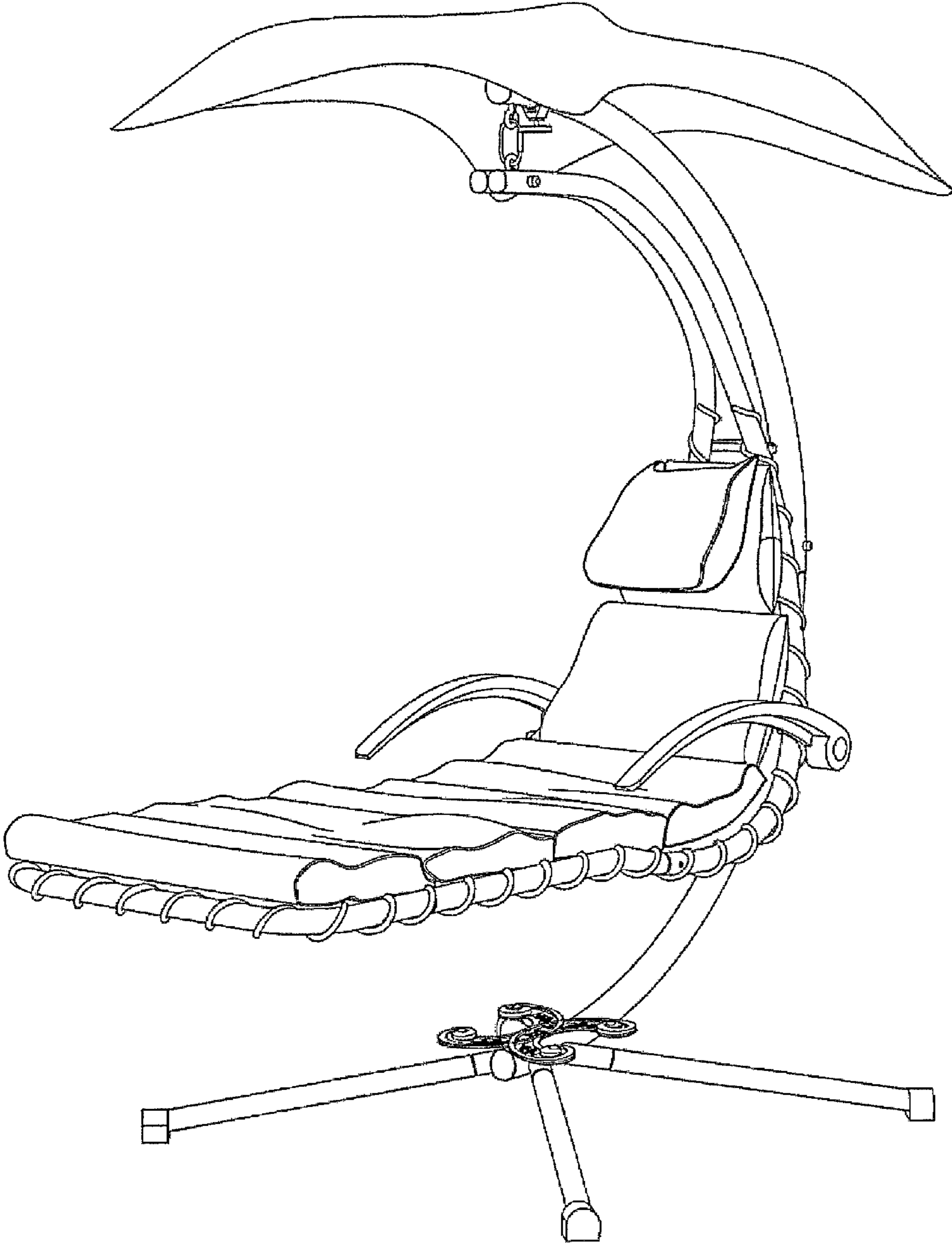


FIG. 1

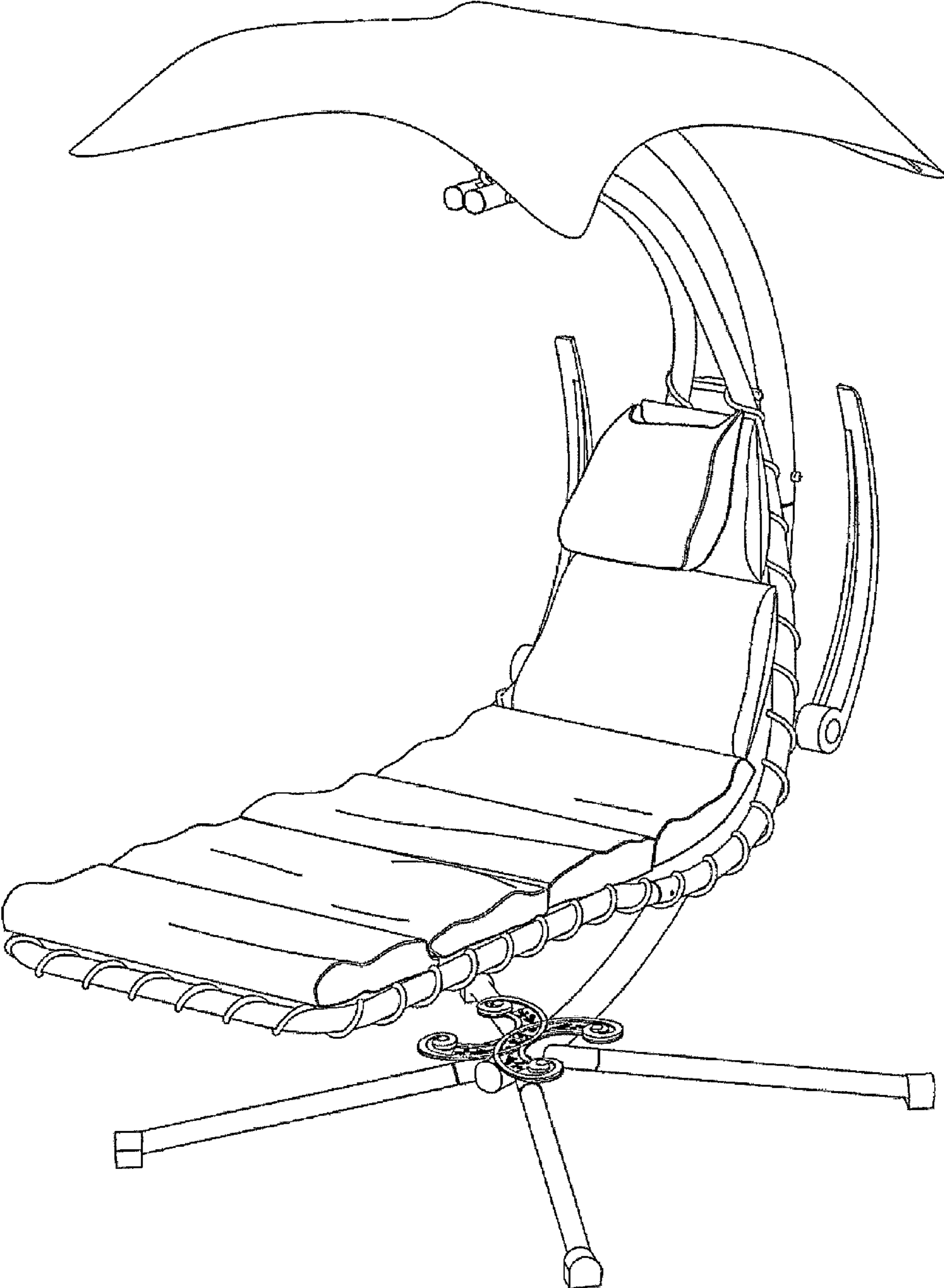


FIG. 2

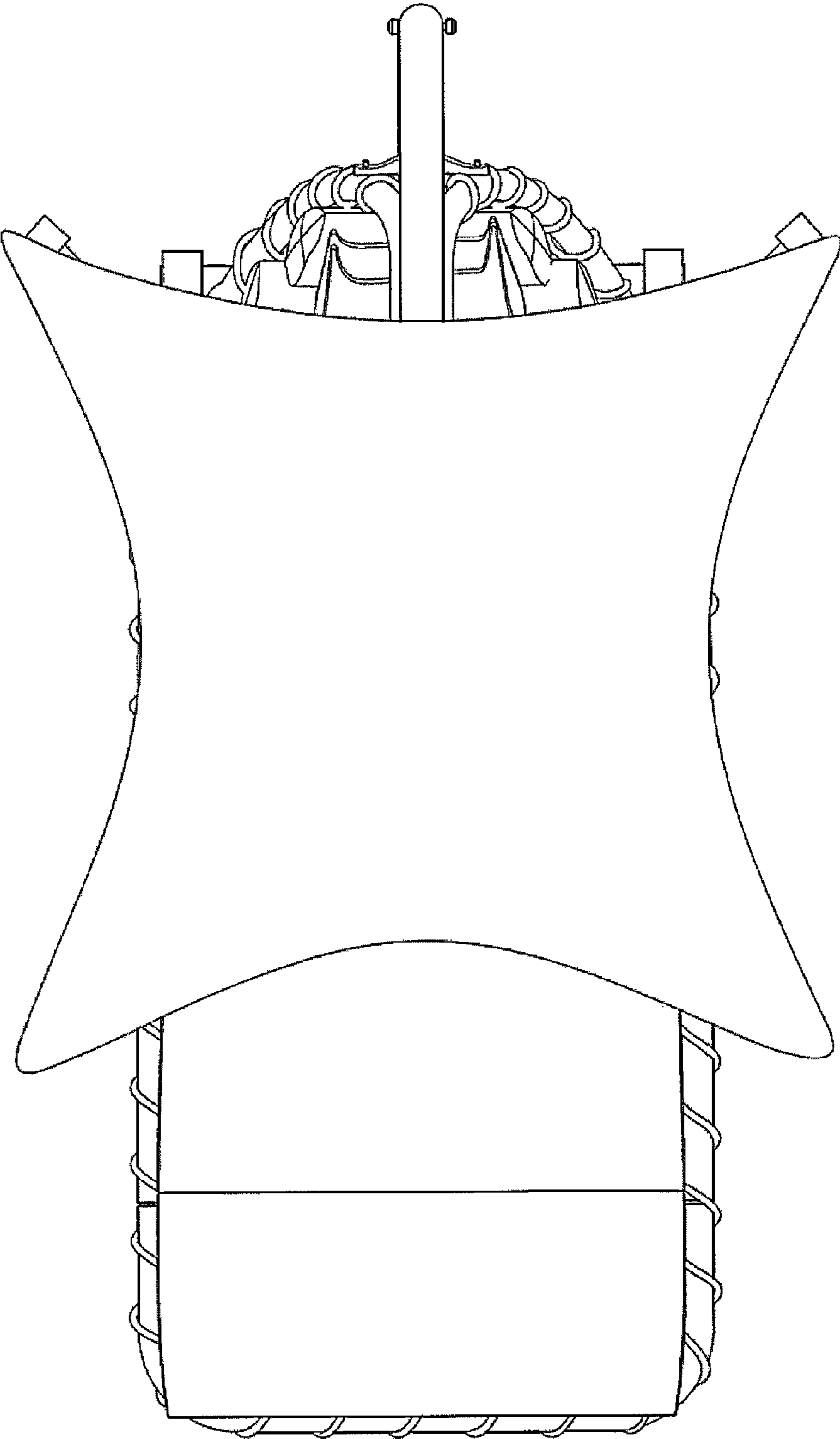


FIG. 3

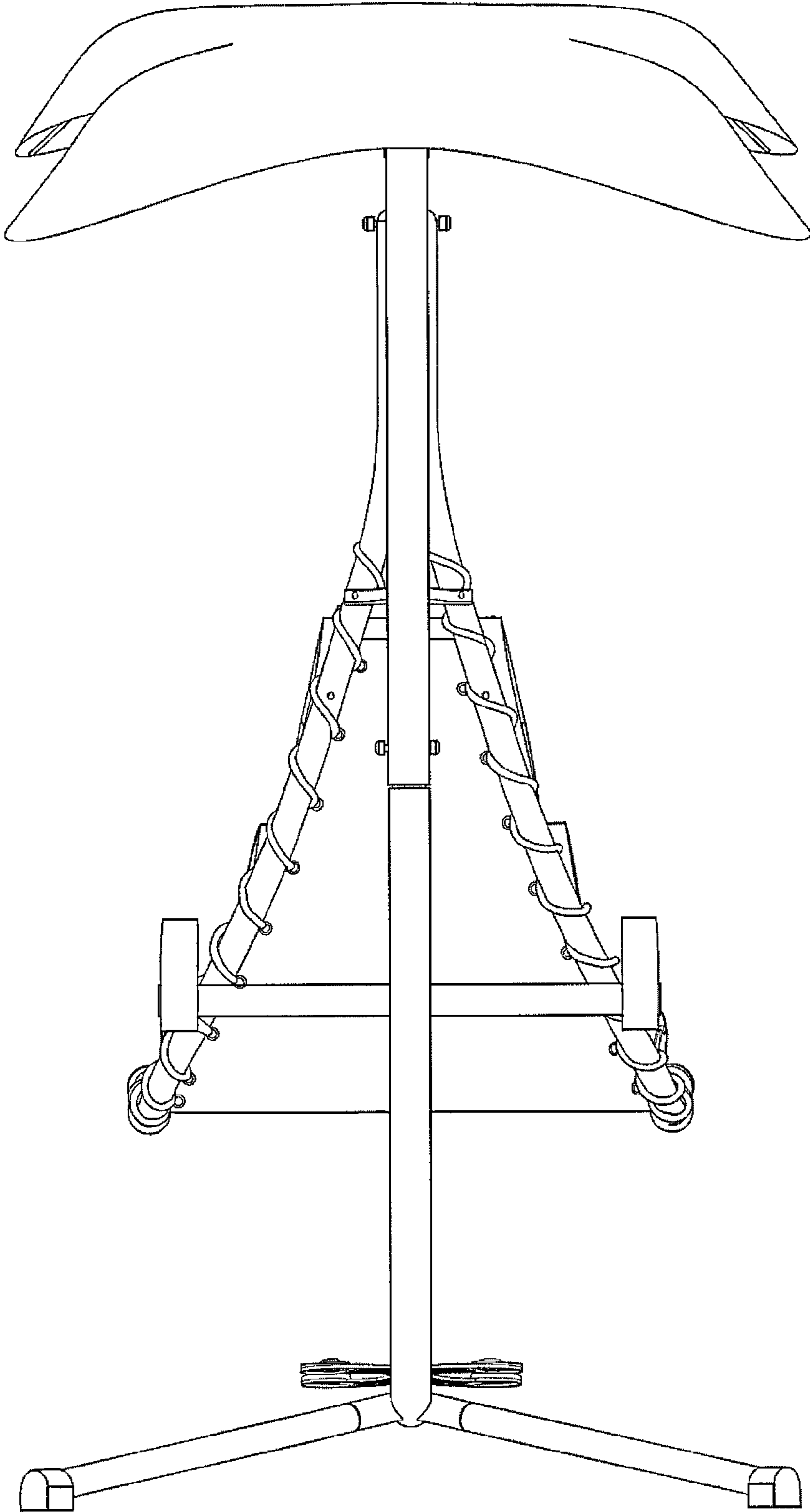


FIG. 4

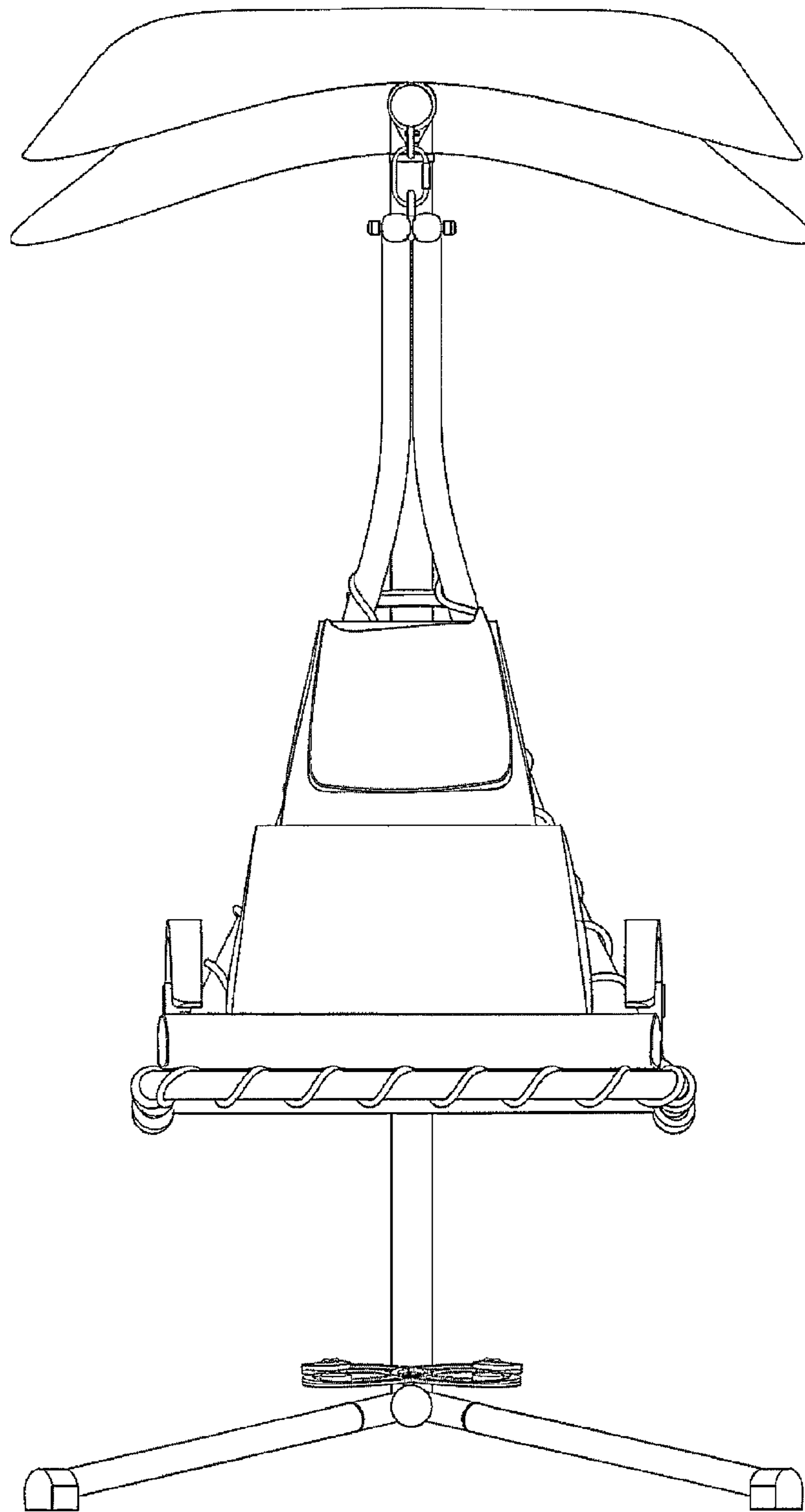


FIG. 5

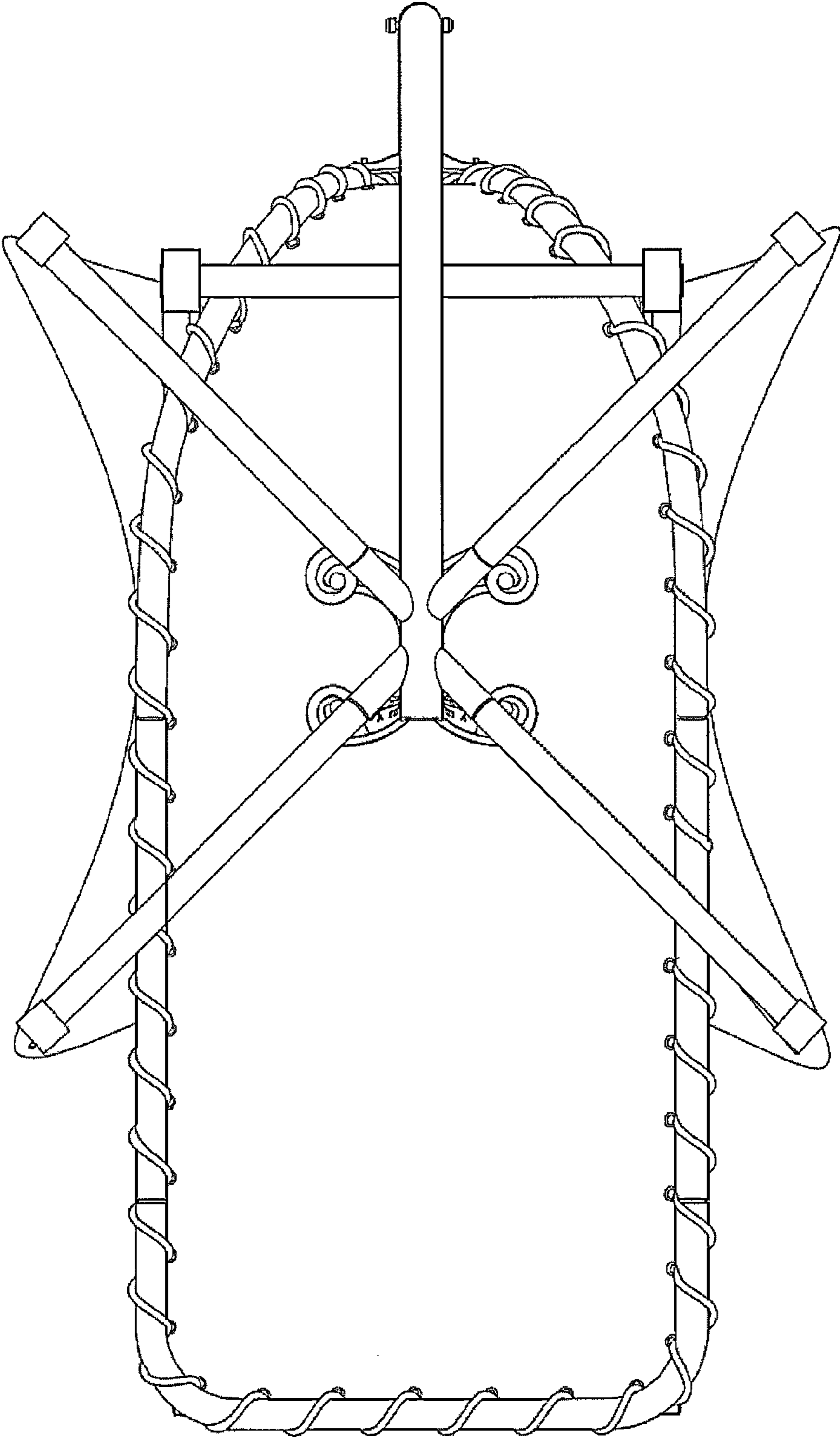


FIG. 6

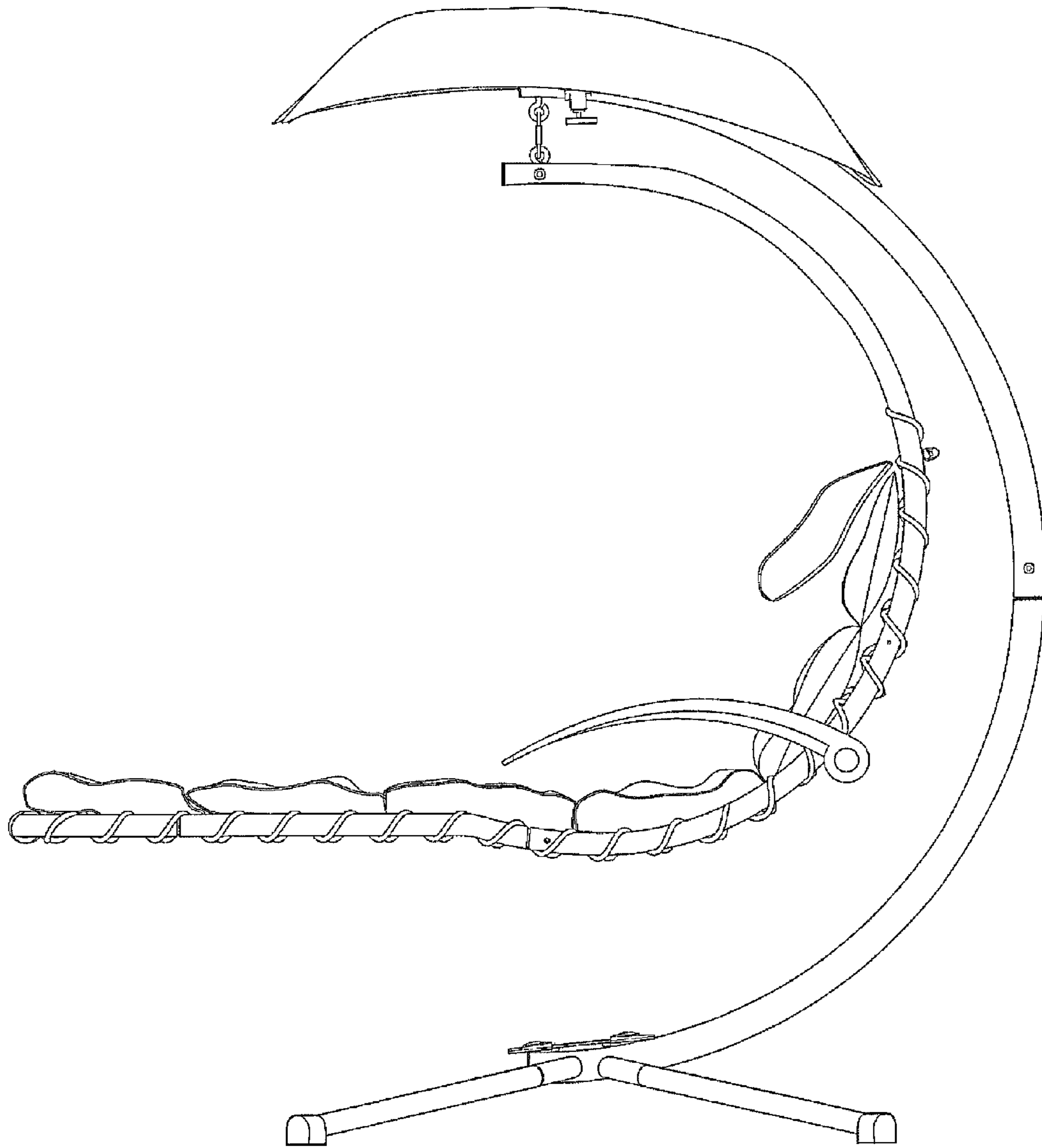


FIG. 7

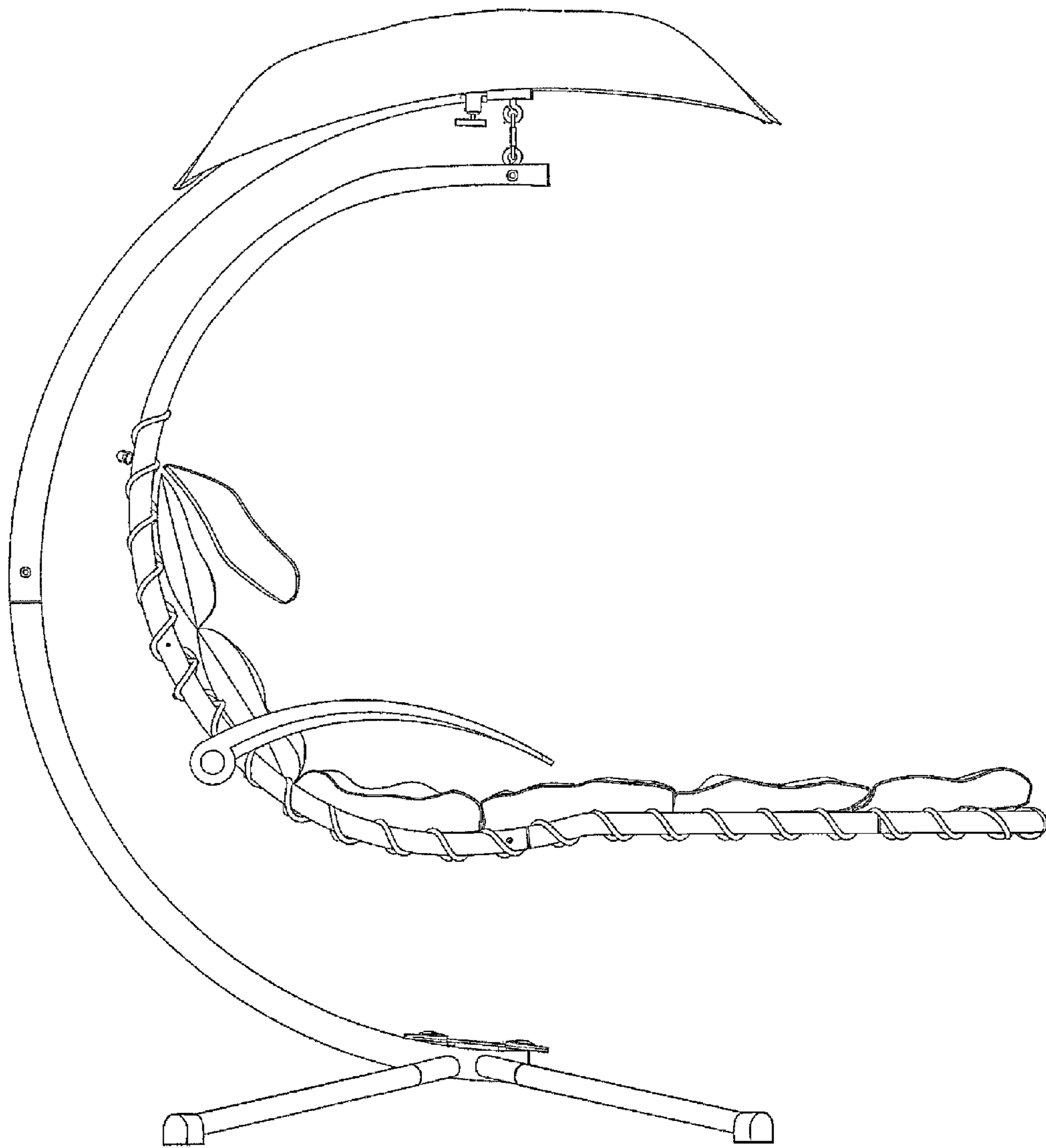


FIG. 8