



US00D705541S

(12) **United States Design Patent**  
**Harris**

(10) **Patent No.:** **US D705,541 S**

(45) **Date of Patent:** **\*\* \*May 27, 2014**

(54) **LUGGAGE COVER**

(76) Inventor: **Clifford Harris**, Amherst, MA (US)

(\*) Notice: This patent is subject to a terminal disclaimer.

(\*\*) Term: **14 Years**

(21) Appl. No.: **29/430,384**

(22) Filed: **Aug. 24, 2012**

(51) **LOC (10) Cl.** ..... **03-01**

(52) **U.S. Cl.**  
USPC ..... **D3/318**

(58) **Field of Classification Search**  
USPC ..... D3/234, 255, 271.9, 320, 256, 262, 279,  
D3/299, 301, 303, 318, 319, 273, 289, 292,  
D3/294-296, 232, 244; D9/424, 420;  
D27/189; 206/349; 220/833; 312/902;  
190/100; 150/100, 107, 118  
See application file for complete search history.

(56) **References Cited**

**U.S. PATENT DOCUMENTS**

3,901,360	A *	8/1975	Cook	.....	190/26
D272,868	S *	3/1984	Jaffee	.....	D3/321
D284,715	S *	7/1986	Jacober et al.	.....	D7/605
D316,483	S *	4/1991	Haack	.....	D3/321
5,172,795	A *	12/1992	Riceman	.....	190/26
D340,530	S *	10/1993	Conrad	.....	D24/217
5,293,975	A *	3/1994	Howorka	.....	190/26
5,772,330	A *	6/1998	Bang et al.	.....	383/87

5,947,604	A *	9/1999	Bang et al.	.....	383/87
D471,013	S *	3/2003	Peterson	.....	D3/301
D479,898	S *	9/2003	Scola	.....	D32/36
D502,811	S *	3/2005	Premper	.....	D3/294
D513,879	S *	1/2006	Waples	.....	D3/321
7,441,641	B2 *	10/2008	Beakey	.....	190/26
7,458,452	B2 *	12/2008	Beakey	.....	190/26

\* cited by examiner

*Primary Examiner* — Elizabeth Albert

(74) *Attorney, Agent, or Firm* — Gary E. Lambert; David J. Connaughton, Jr.; Lambert & Asscoaites

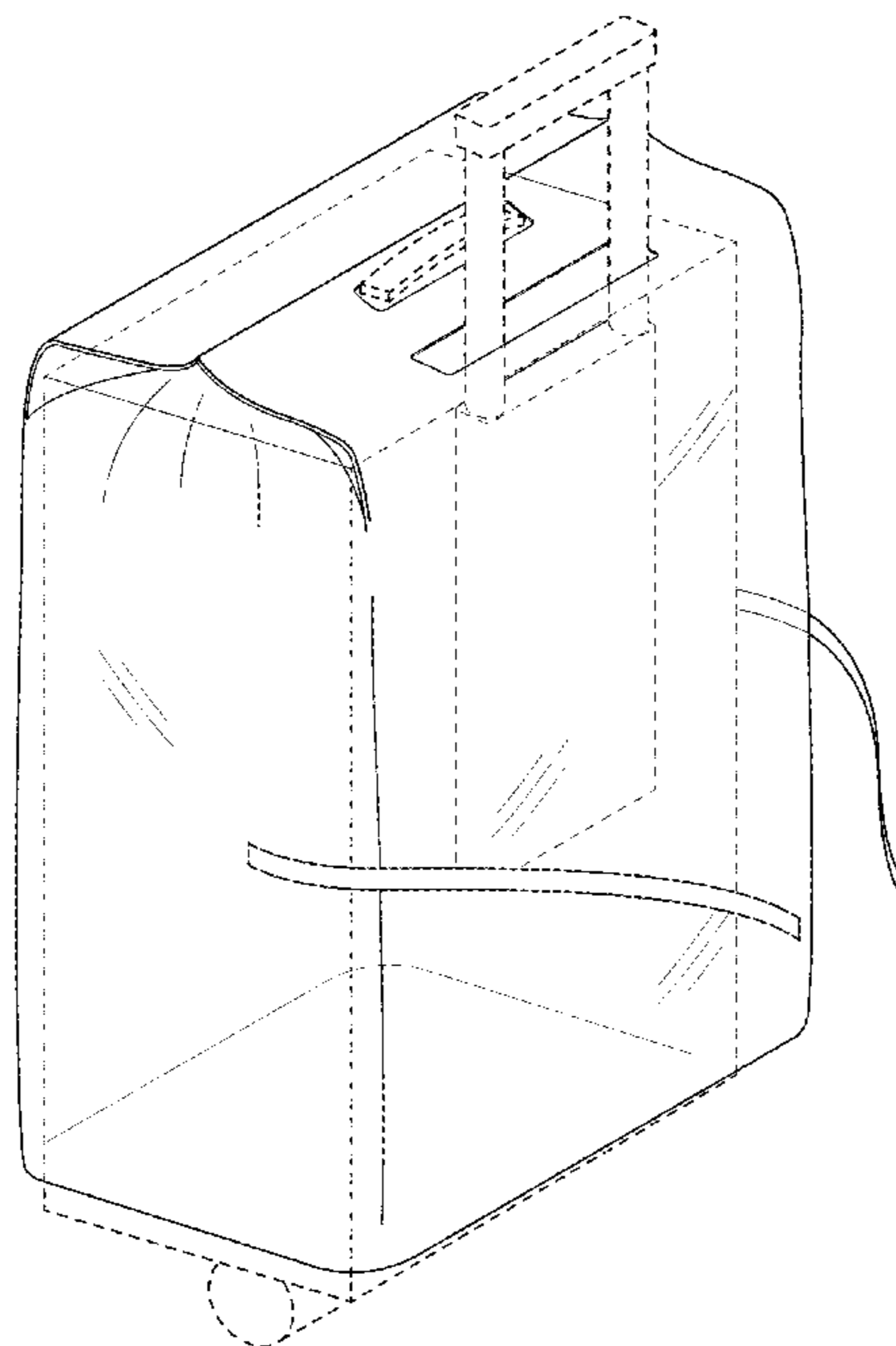
(57) **CLAIM**

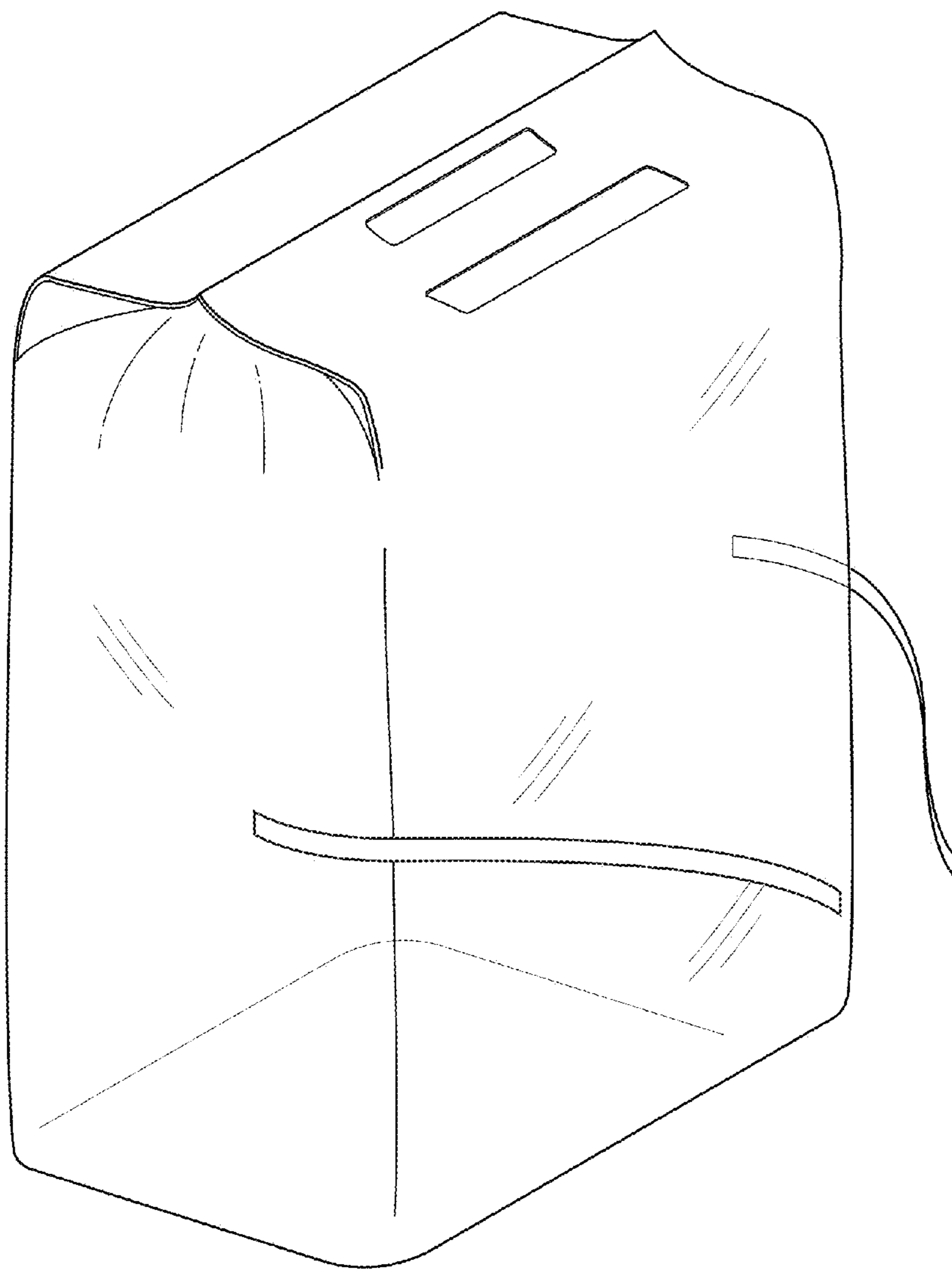
The ornamental design for a luggage cover, as shown and described.

**DESCRIPTION**

FIG. 1 is an isometric view of the right, front, side of the luggage cover, which embodies my design; FIG. 2 is a back elevation view of the luggage cover; FIG. 3 is a front elevation view of the luggage cover; FIG. 4 is a top plan view of the luggage cover; FIG. 5 is a bottom plan view of the luggage cover; FIG. 6 is a side elevation view of the luggage cover; and, FIG. 7 is an isometric view of the right, front, side of the luggage cover showing my new design in a position of use. The broken line showing of the luggage in FIG. 7 is for illustrative purposes only and forms no part of the claimed design.

**1 Claim, 4 Drawing Sheets**





*Fig. 1*

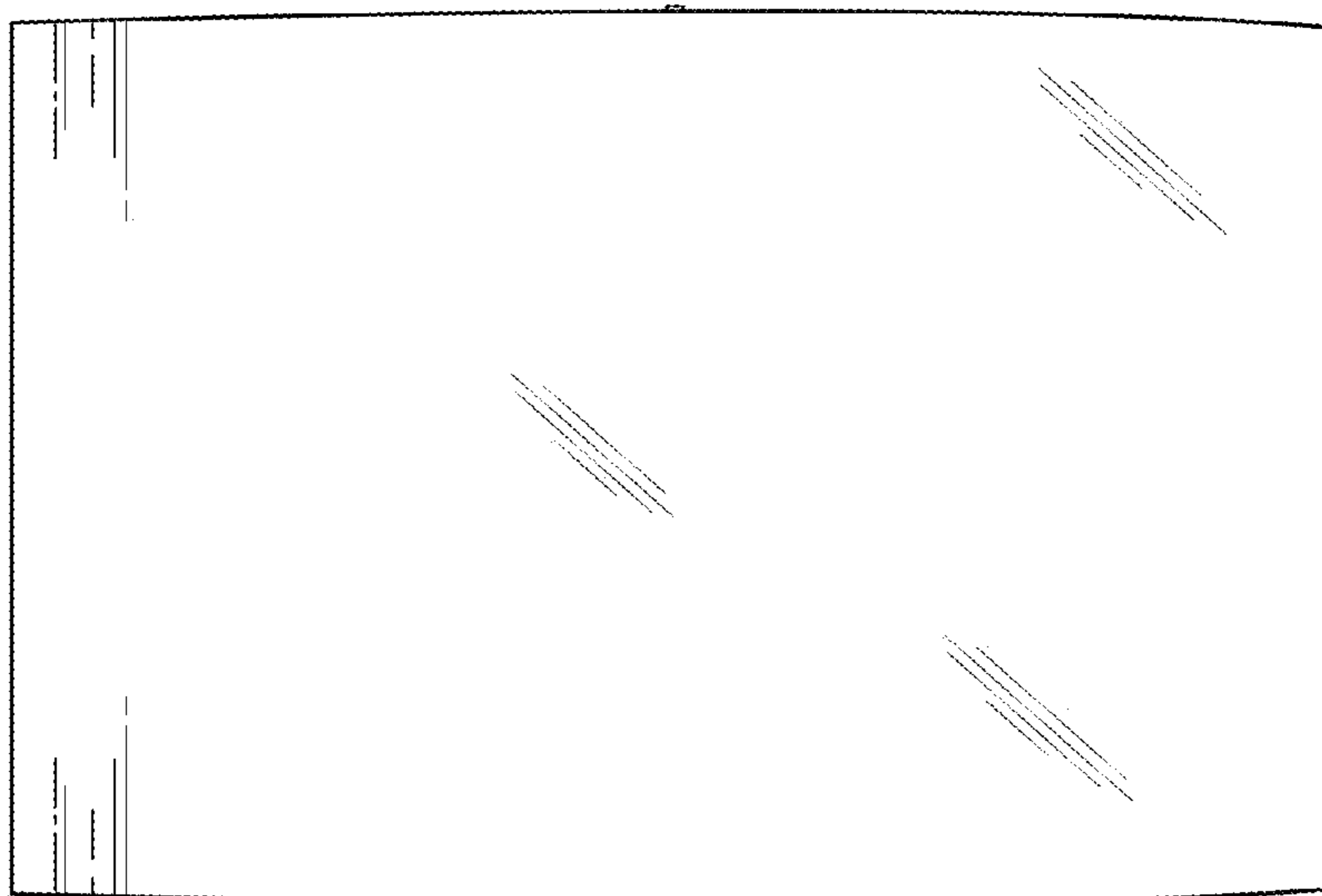


Fig. 3

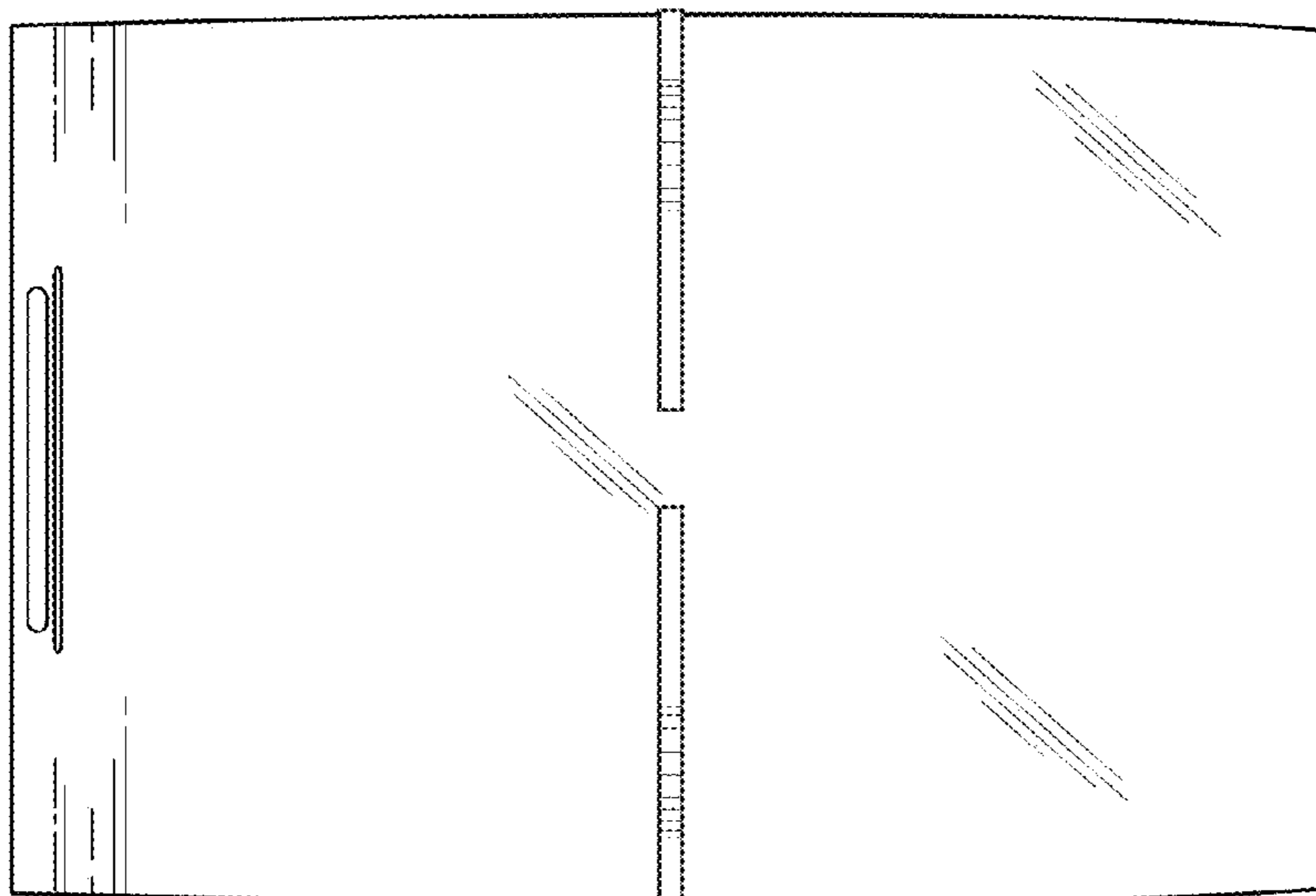


Fig. 2

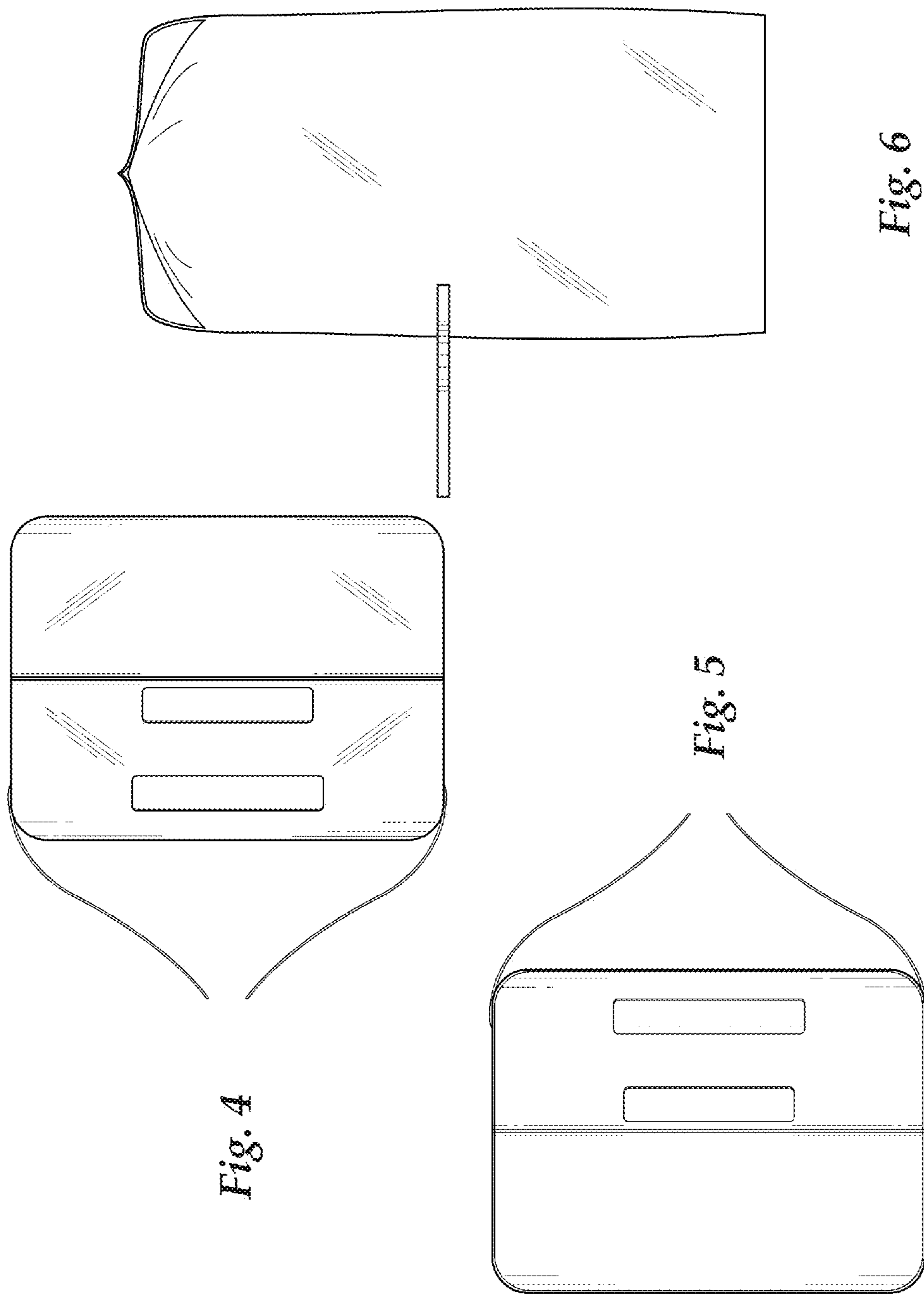


Fig. 4

Fig. 5

Fig. 6

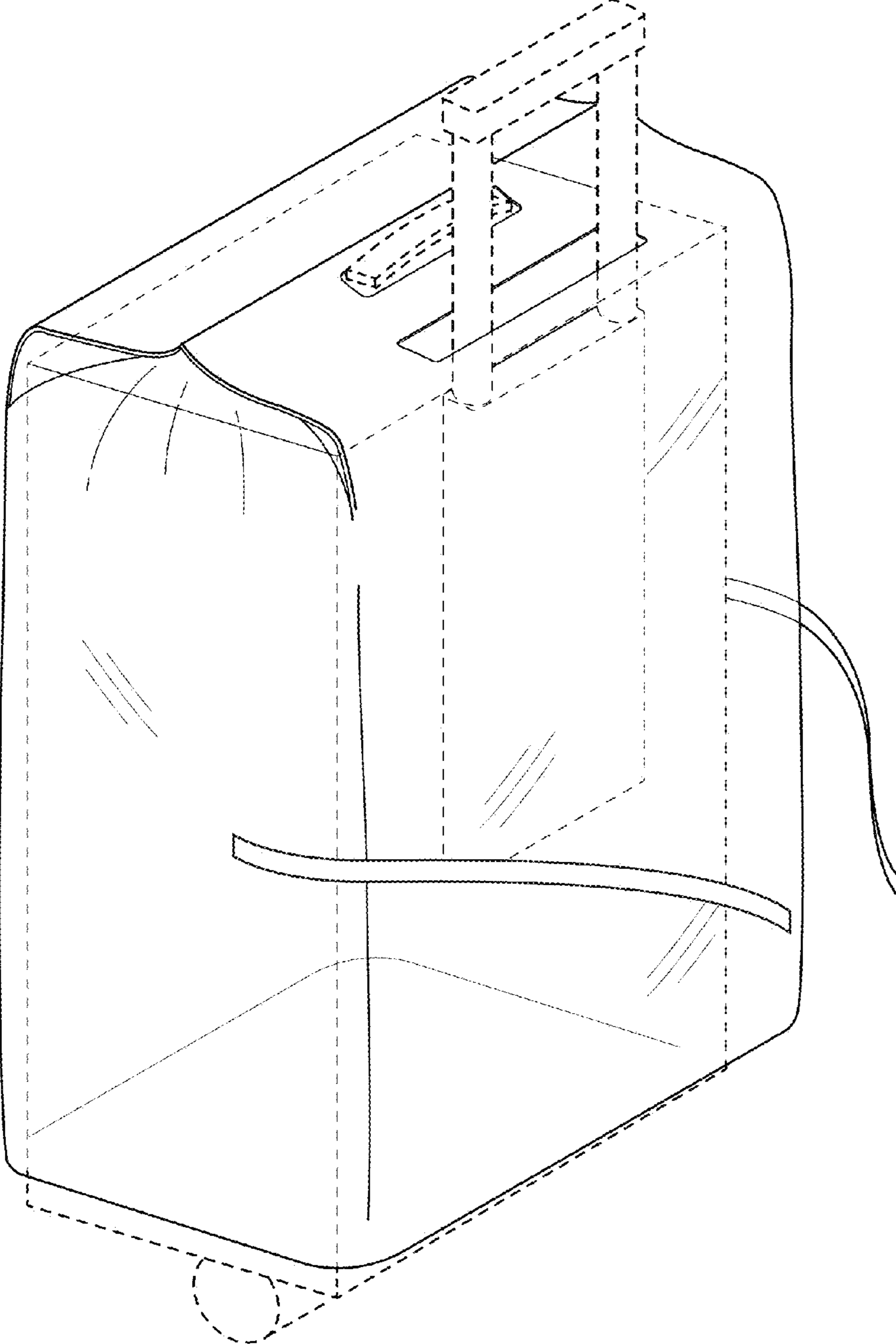


Fig. 7