



US00D705540S

(12) **United States Design Patent**
Phillips

(10) **Patent No.:** **US D705,540 S**

(45) **Date of Patent:** **** May 27, 2014**

(54) **TOOTH CONTAINER**

(76) Inventor: **Cassie Phillips**, Kearns, UT (US)

(**) Term: **14 Years**

(21) Appl. No.: **29/415,976**

(22) Filed: **Mar. 16, 2012**

(51) **LOC (10) Cl.** **03-01**

(52) **U.S. Cl.**
USPC **D3/273**

(58) **Field of Classification Search**
USPC D3/270, 273; 206/63.5, 83
See application file for complete search history.

(56) **References Cited**

U.S. PATENT DOCUMENTS

| | | | | | |
|-----------|------|---------|-------------|-------|----------|
| 4,694,956 | A * | 9/1987 | Sims | | 206/83 |
| 4,775,318 | A * | 10/1988 | Breslin | | 206/63.5 |
| 5,303,819 | A * | 4/1994 | Goldberg | | 206/83 |
| D357,409 | S * | 4/1995 | Past et al. | | D3/273 |
| 6,182,820 | B1 * | 2/2001 | Rathbauer | | 206/83 |
| 6,932,213 | B1 * | 8/2005 | Distad | | 206/83 |

* cited by examiner

Primary Examiner — Jennifer Rivard

(74) *Attorney, Agent, or Firm* — Guld Coast Intellectual Property Group

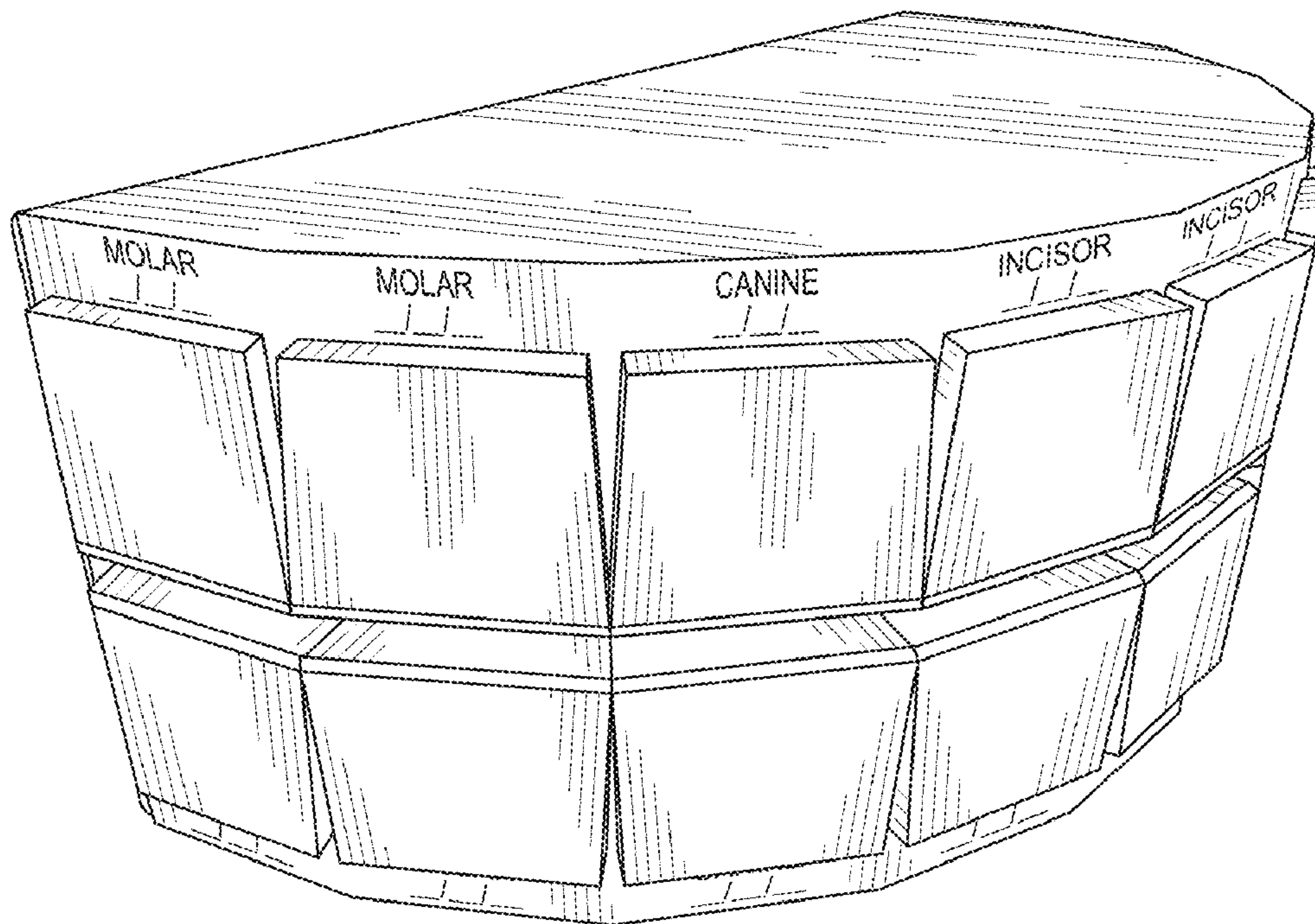
(57) **CLAIM**

The ornamental design for a tooth container, as shown and described.

DESCRIPTION

FIG. 1 is a left perspective view of the present invention in a closed position; and
FIG. 2 is a front view of the present invention in a closed position; and
FIG. 3 is a top view of the present invention in a closed position; and
FIG. 4 is a bottom view of the present invention in a closed position; and
FIG. 5 is a left side view of the present invention in a closed position; and
FIG. 6 is a right side view of the present invention in a closed position; and
FIG. 7 is a perspective view of the present invention in an open position.

1 Claim, 3 Drawing Sheets



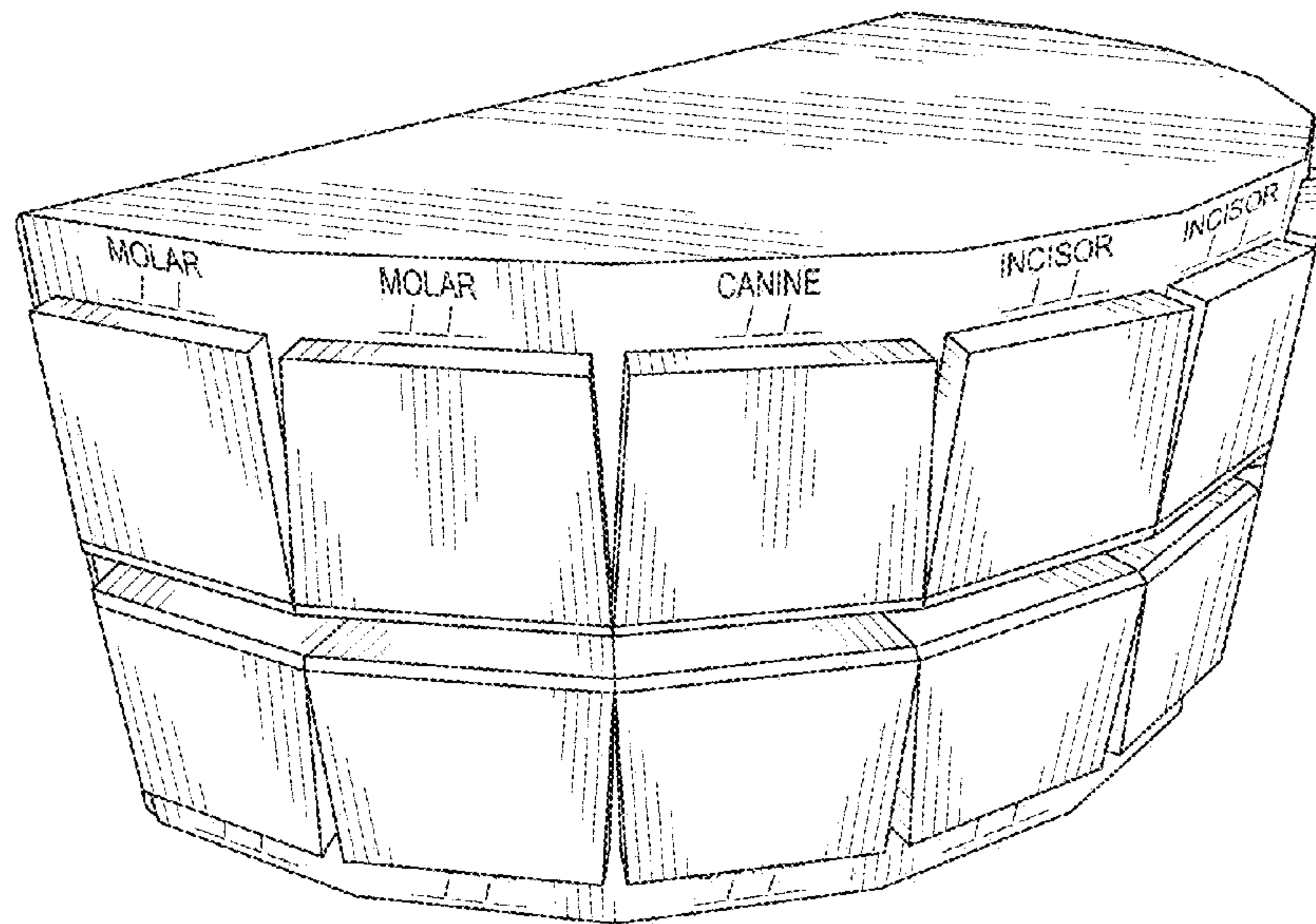


FIG. 1

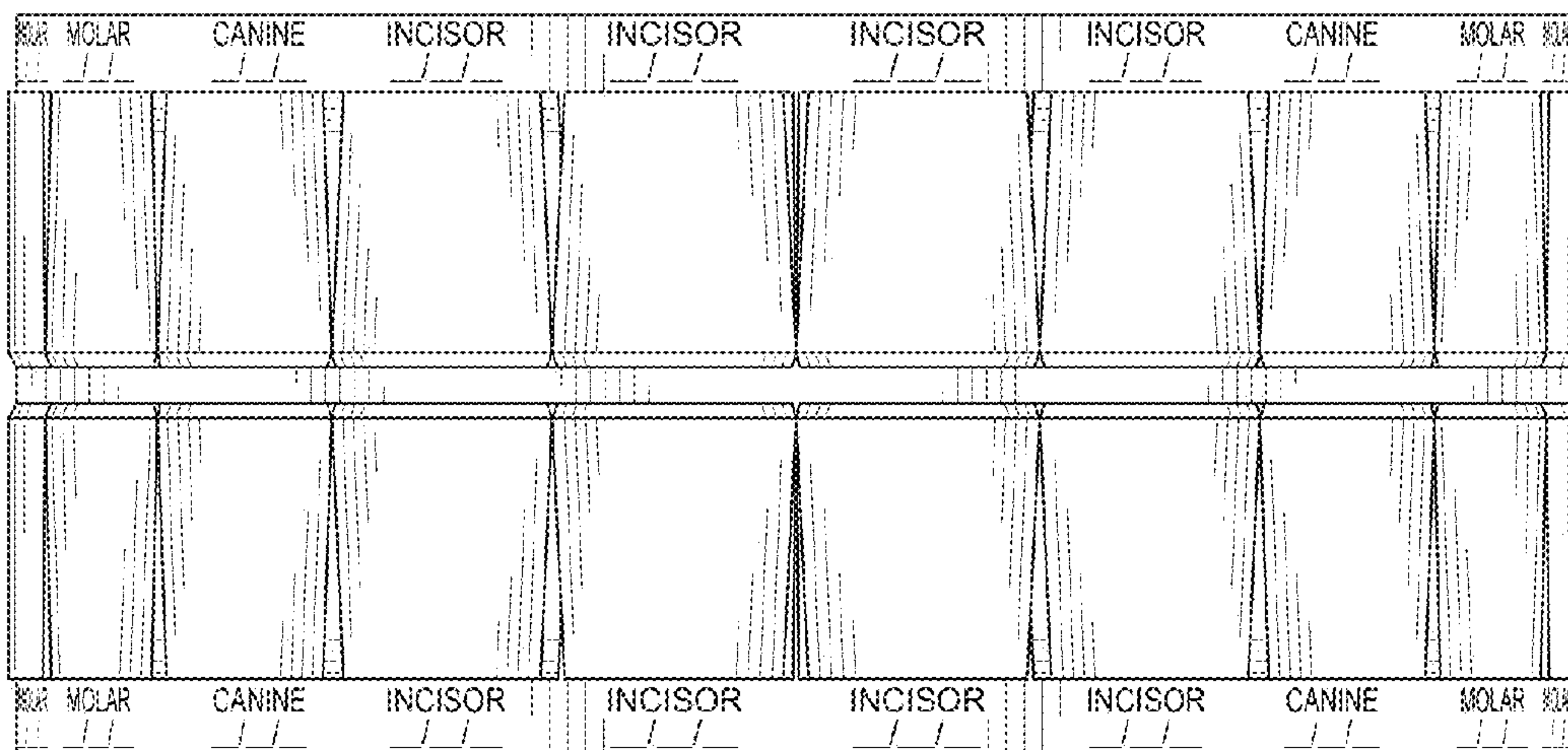


FIG. 2

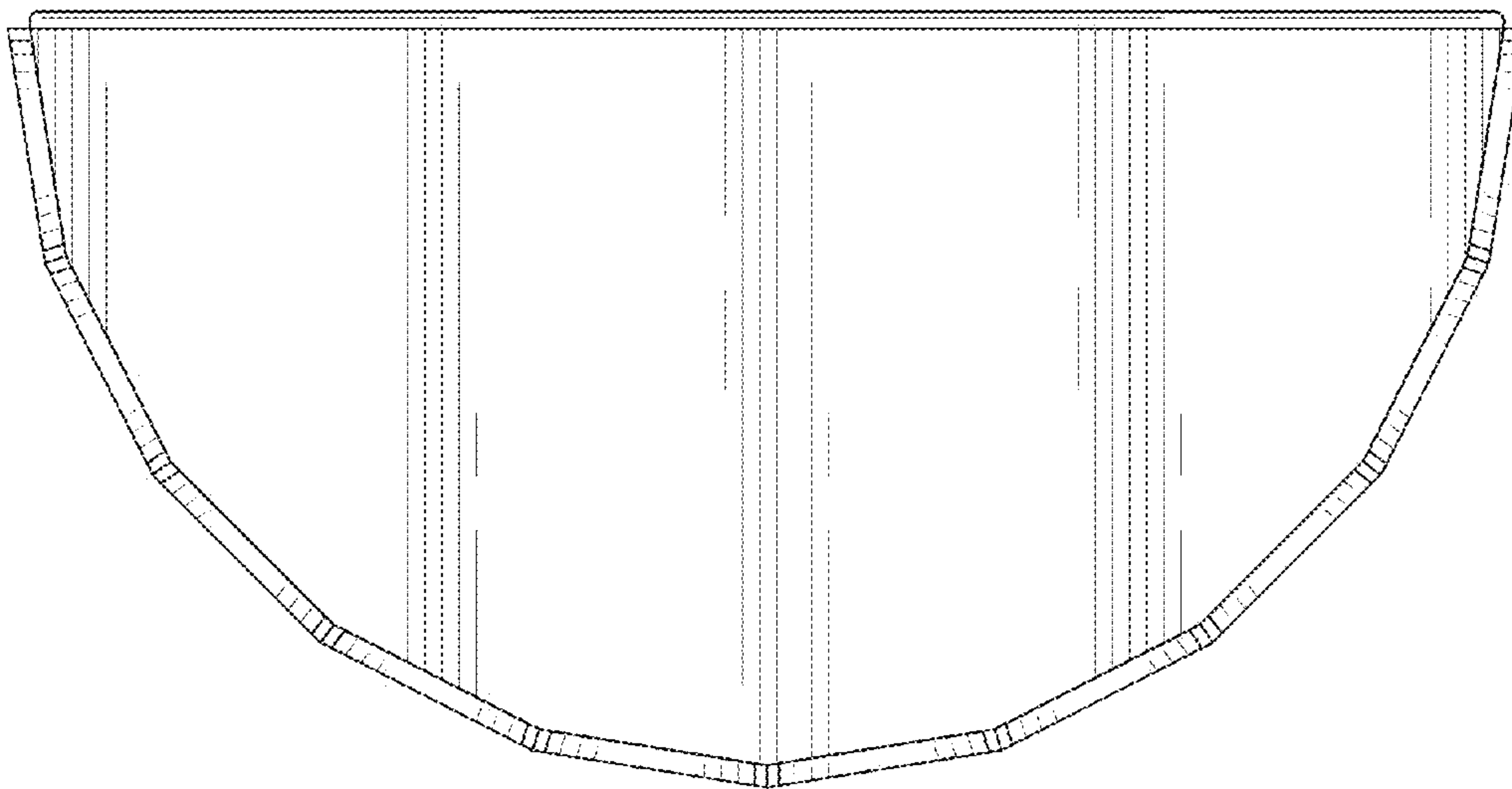


FIG. 3

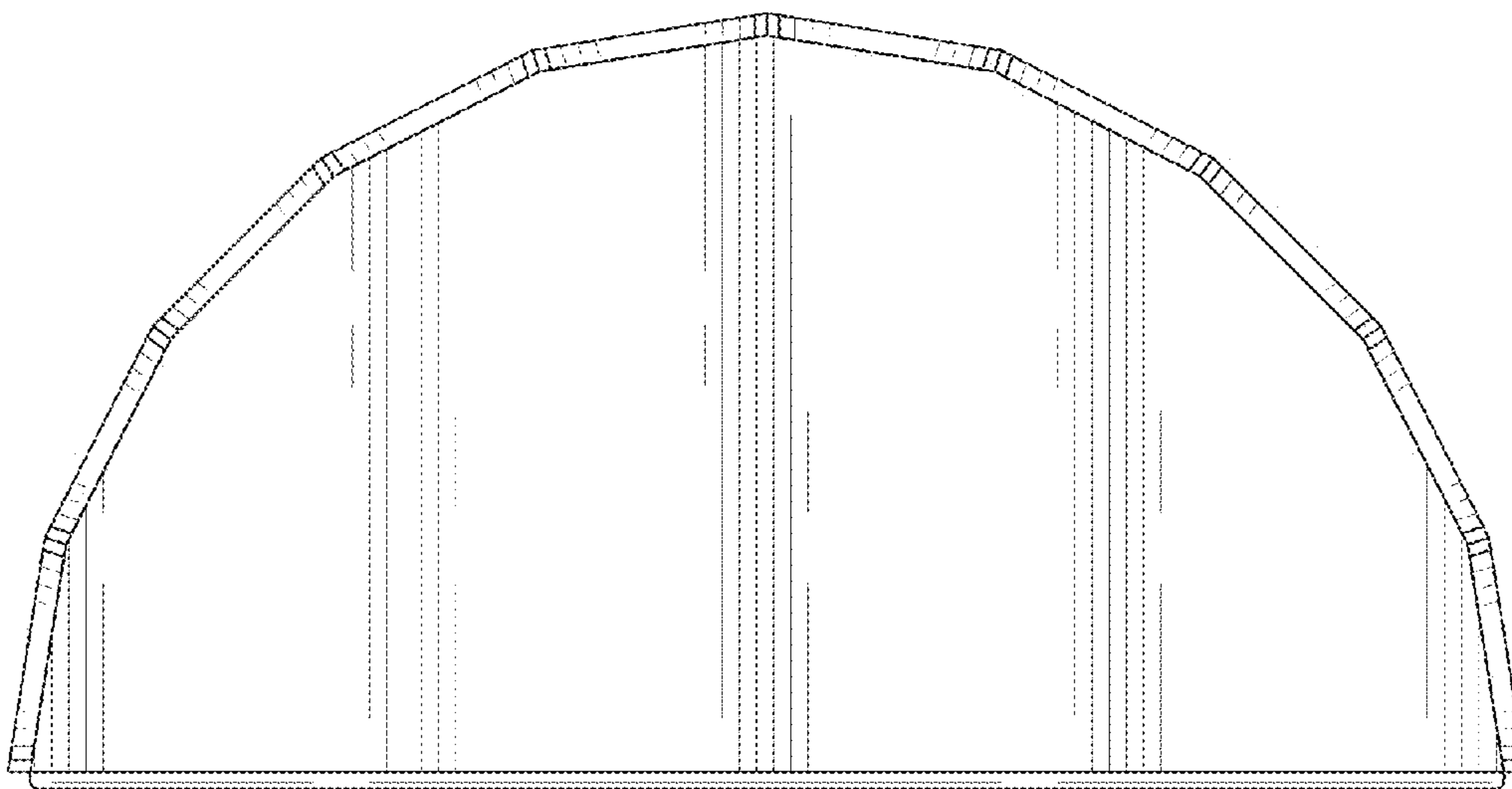


FIG. 4

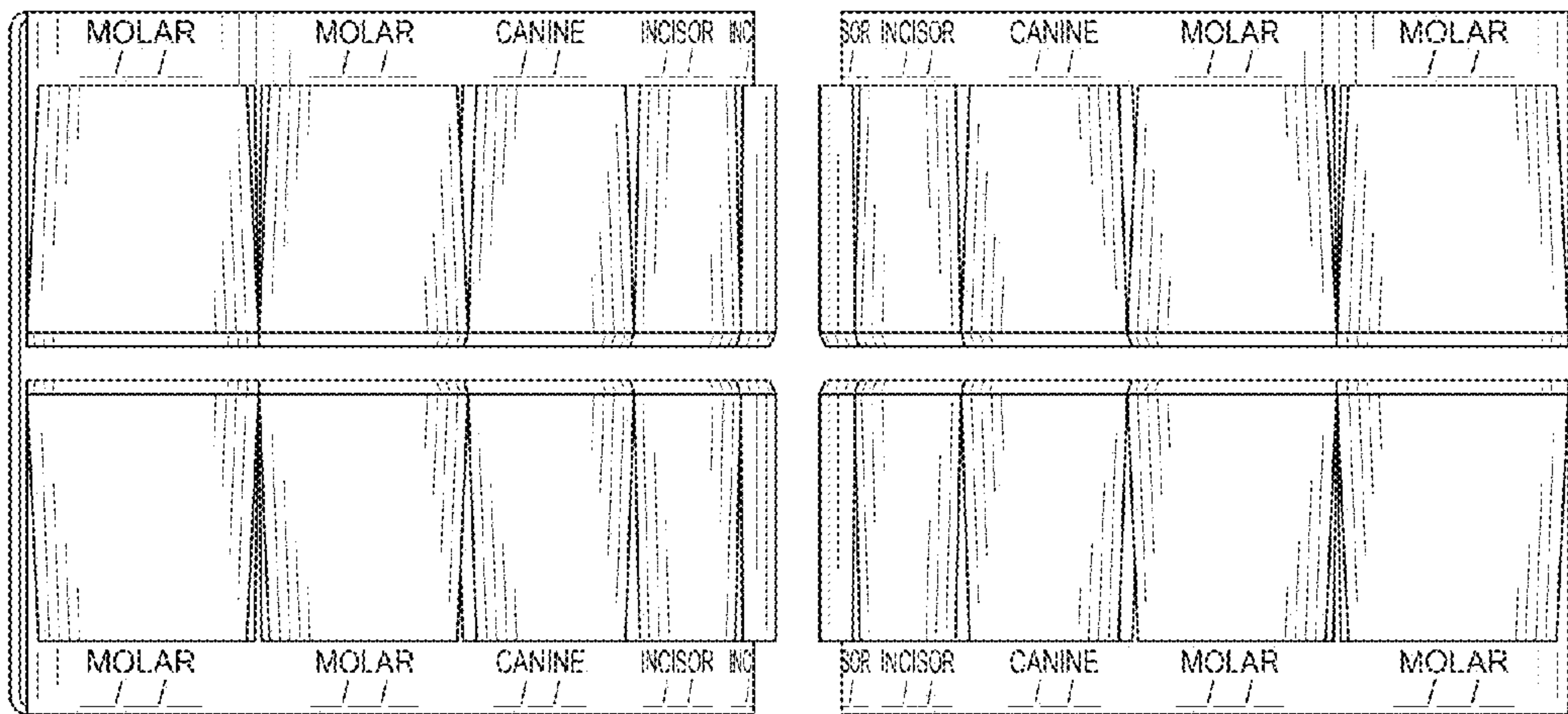


FIG. 5

FIG. 6

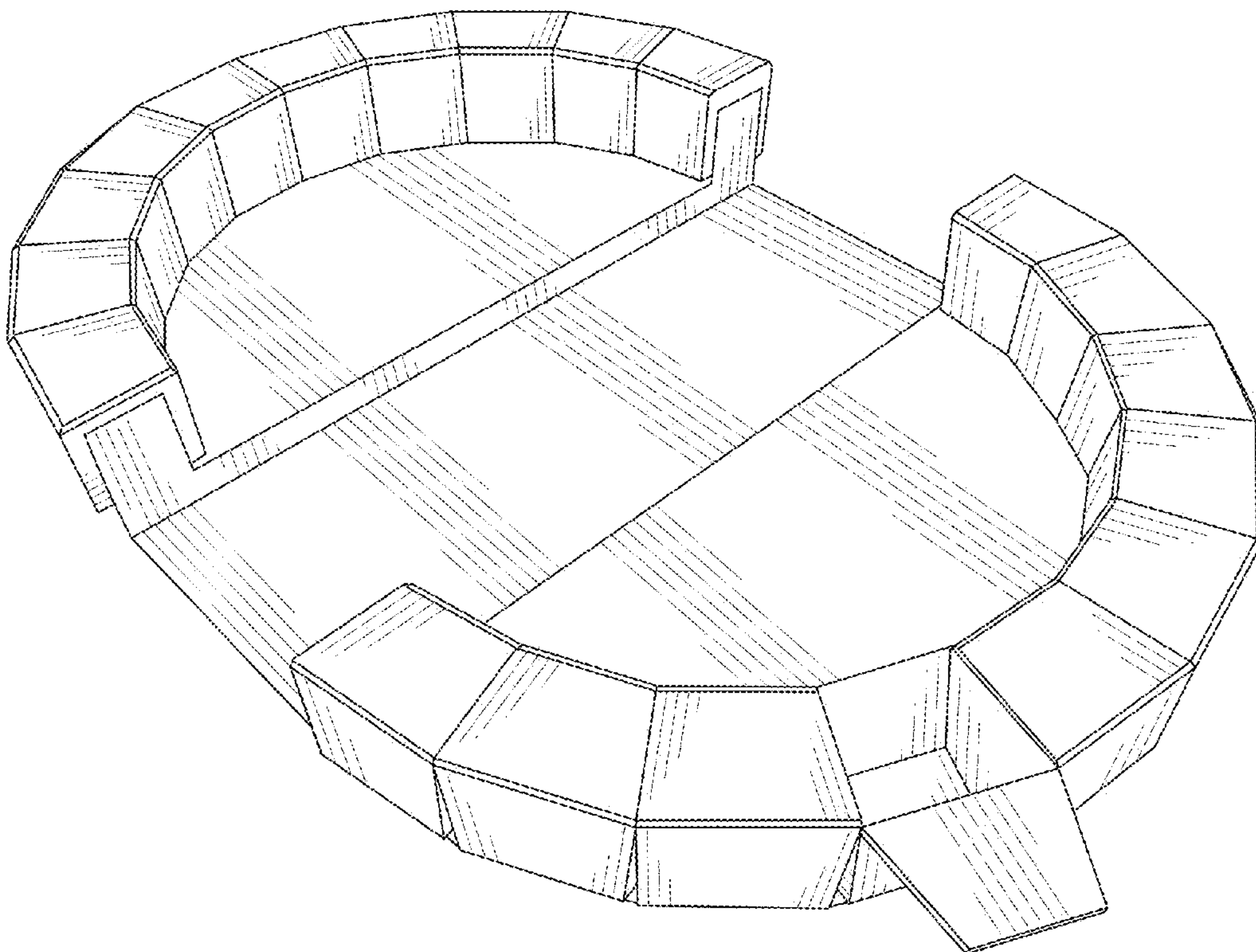


FIG. 7