



US00D705539S

(12) **United States Design Patent**  
**Del Solar et al.**

(10) **Patent No.:** **US D705,539 S**  
(45) **Date of Patent:** **\*\* May 27, 2014**

(54) **TRAVEL KIT**

(71) Applicant: **Playtex Products, Inc.**, Shelton, CT  
(US)  
(72) Inventors: **Maria Alexandra Del Solar**, Stamford,  
CT (US); **Marisol Rodriguez**, Brooklyn,  
NY (US)  
(73) Assignee: **Eveready Battery Company, Inc.**, St.  
Louis, MO (US)  
(\*\*) Term: **14 Years**

(21) Appl. No.: **29/439,724**  
(22) Filed: **Dec. 14, 2012**  
(51) **LOC (10) Cl.** ..... **03-01**  
(52) **U.S. Cl.**  
USPC ..... **D3/249**  
(58) **Field of Classification Search**  
CPC ..... A45C 1/06; A45C 1/08; A45C 2001/06;  
A45C 2001/062; A45C 2001/065; A45C  
2001/08; A45C 2001/082  
USPC ..... D3/247, 249-253; 150/130-132,  
150/136-137, 147

See application file for complete search history.

(56) **References Cited**

U.S. PATENT DOCUMENTS

2,857,948 A \* 10/1958 Schlessinger et al. .... 150/136  
D543,356 S \* 5/2007 Gonzalez ..... D3/247  
D558,392 S \* 12/2007 Van Keppel et al. .... D27/185  
D659,394 S \* 5/2012 Hebert et al. .... D3/247

\* cited by examiner

*Primary Examiner* — Holly Baynham

(74) *Attorney, Agent, or Firm* — Energizer Personal Care  
LLC

(57) **CLAIM**

We claim the ornamental design for the travel kit, as shown  
and described.

**DESCRIPTION**

FIG. 1 is an upper perspective view of a travel kit in a storage  
configuration.  
FIG. 2 is an upper perspective view thereof in an in-use  
configuration.  
FIG. 3 is a lower perspective view thereof in an in-use con-  
figuration.  
FIG. 4 is a top view thereof.  
FIG. 5 is a bottom view thereof.  
FIG. 6 is a left side view of FIG. 4.  
FIG. 7 is a right side view of FIG. 4.  
FIG. 8 is a back side view of FIG. 4; and,  
FIG. 9 is a front side view of FIG. 4.  
The broken lines showing a handle and stitching are for the  
purposes of illustrating environment and form no part of the  
claimed design.

**1 Claim, 7 Drawing Sheets**

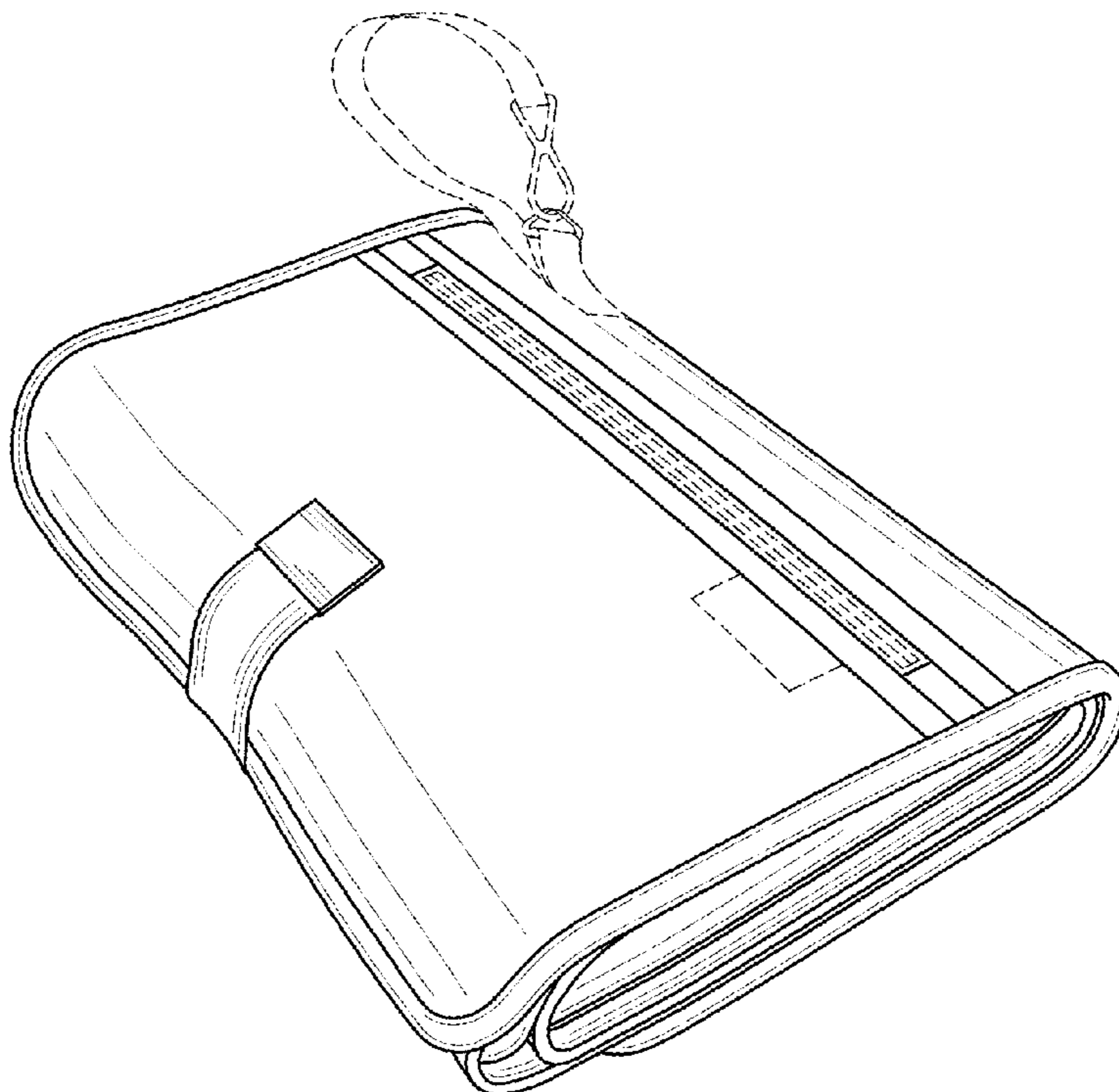




FIG. 1

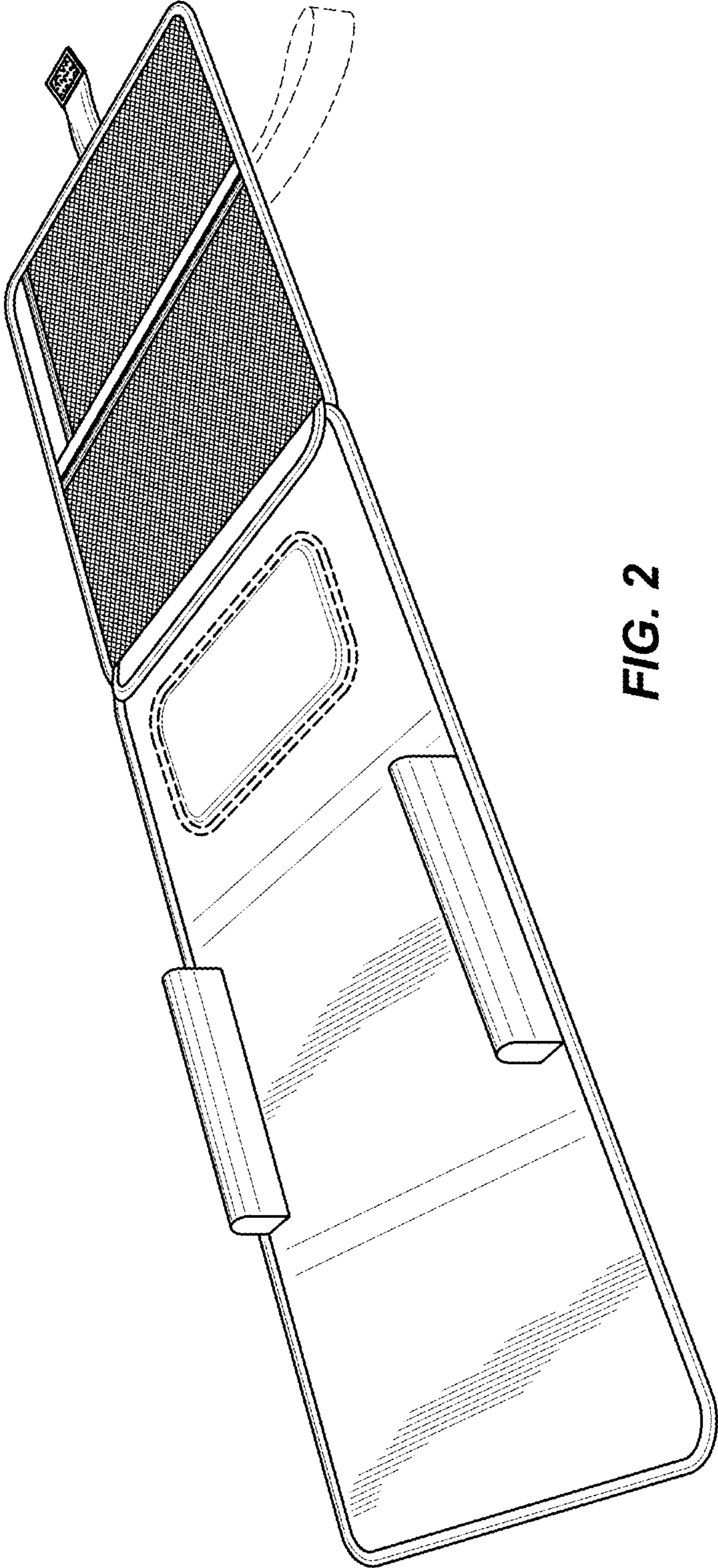


FIG. 2

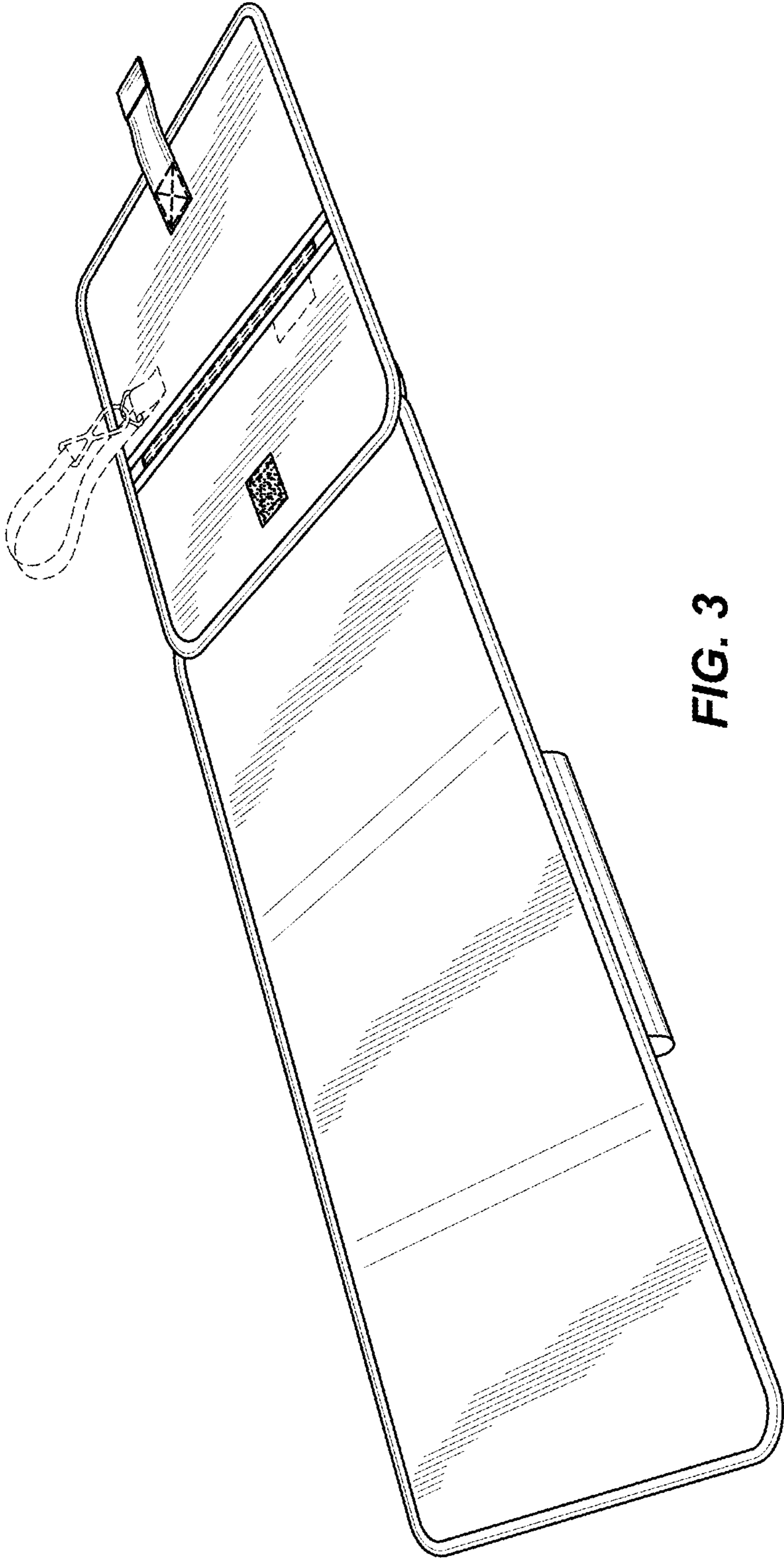


FIG. 3

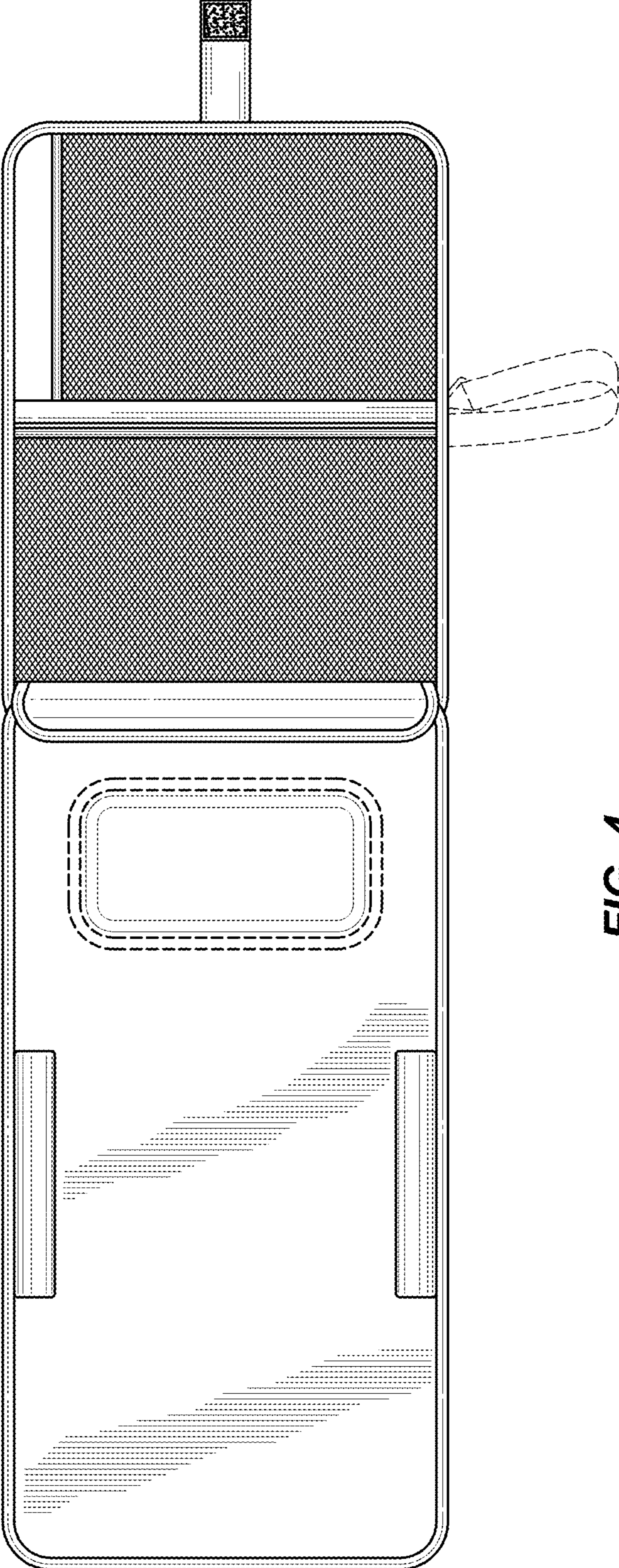


FIG. 4

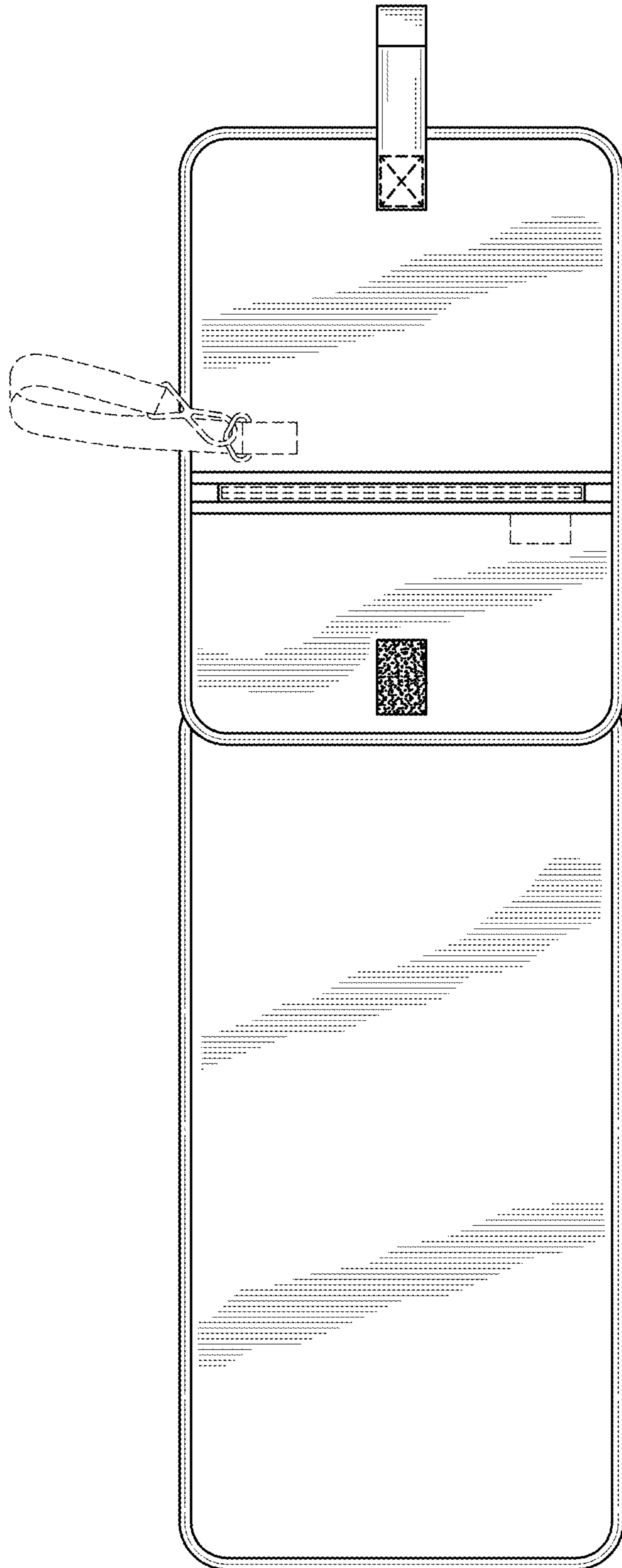


FIG. 5

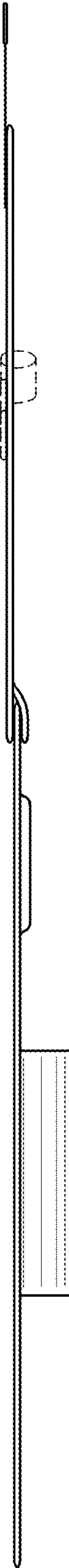


FIG. 6

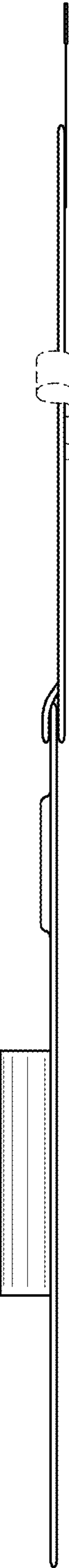
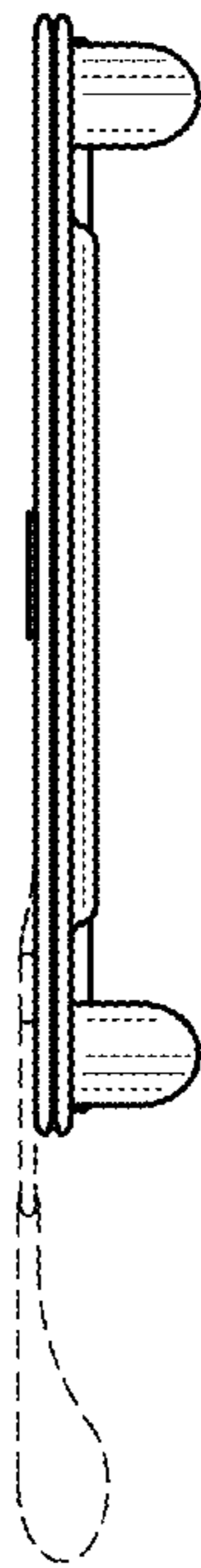
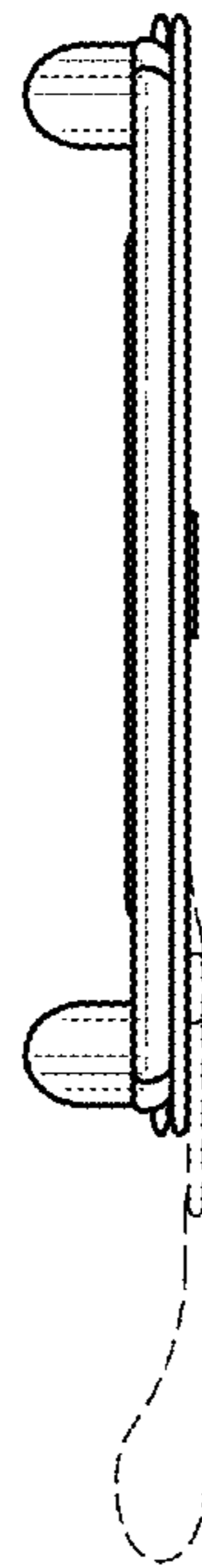


FIG. 7



**FIG. 8**



**FIG. 9**