



US00D705538S

(12) **United States Design Patent**
Dietrich

(10) **Patent No.:** **US D705,538 S**

(45) **Date of Patent:** **** May 27, 2014**

(54) **CASE FOR CREDIT CARDS**

(71) Applicant: **Emmanuel Dietrich**, Zug (CH)

(72) Inventor: **Emmanuel Dietrich**, Zug (CH)

(73) Assignees: **Katrin Mengel**, Hamburg (DE);
Thomas Wingerter, Hamburg (DE)

(**) Term: **14 Years**

(21) Appl. No.: **29/438,363**

(22) Filed: **Nov. 29, 2012**

(51) **LOC (10) Cl.** **03-01**

(52) **U.S. Cl.**
USPC **D3/247**

(58) **Field of Classification Search**
USPC D3/247, 249–253; 150/130, 132,
150/136–137, 147

See application file for complete search history.

(56) **References Cited**

U.S. PATENT DOCUMENTS

D384,499 S	*	10/1997	Gaestel	D3/247
D510,186 S	*	10/2005	Bell	D3/247
D628,797 S	*	12/2010	Kalbach	D3/247
D628,798 S	*	12/2010	Kalbach	D3/247
D635,360 S	*	4/2011	Dietrich	D3/247
D672,952 S	*	12/2012	Yang	D3/247

* cited by examiner

Primary Examiner — Holly Baynham

(74) *Attorney, Agent, or Firm* — Vidas, Arrett & Steinkraus

(57) **CLAIM**

The ornamental design for a case for credit cards, as shown and described.

DESCRIPTION

FIG. 1 is a front view of the invention, the case for credit cards being shown closed;

FIG. 2 is a right view of the invention, the case for credit cards being shown closed;

FIG. 3 is a back view of the invention, the case for credit cards being shown closed;

FIG. 4 is a left view of the invention, the case for credit cards being shown closed;

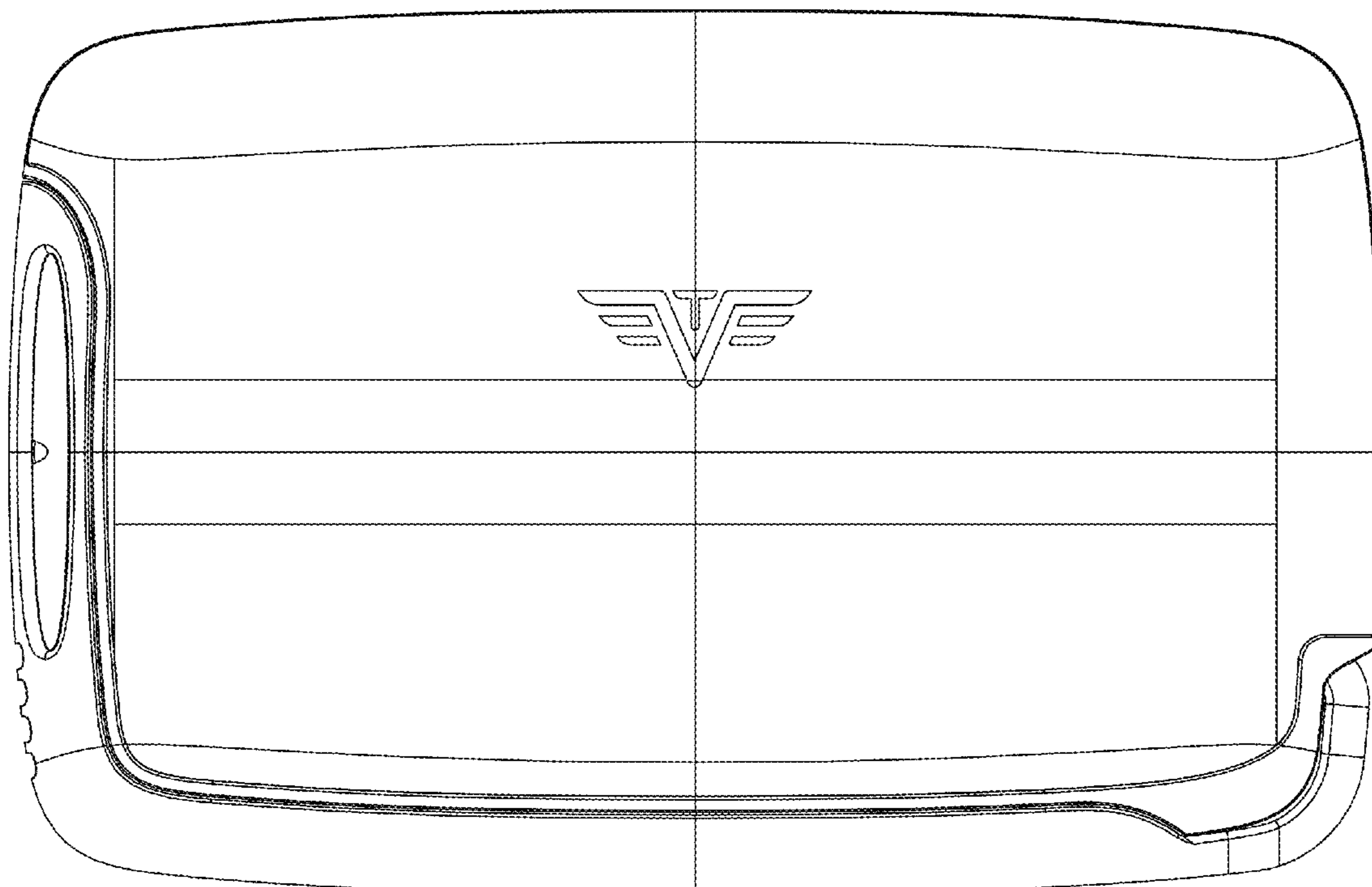
FIG. 5 is a top view of the invention, the case for credit cards being shown closed;

FIG. 6 is a bottom view of the invention, the case for credit cards being shown closed;

FIG. 7 is a top view of the invention, the case for credit cards being shown open; and,

FIG. 8 is a front perspective view from the top and left side of the invention, the case for credit cards being shown closed.

1 Claim, 8 Drawing Sheets



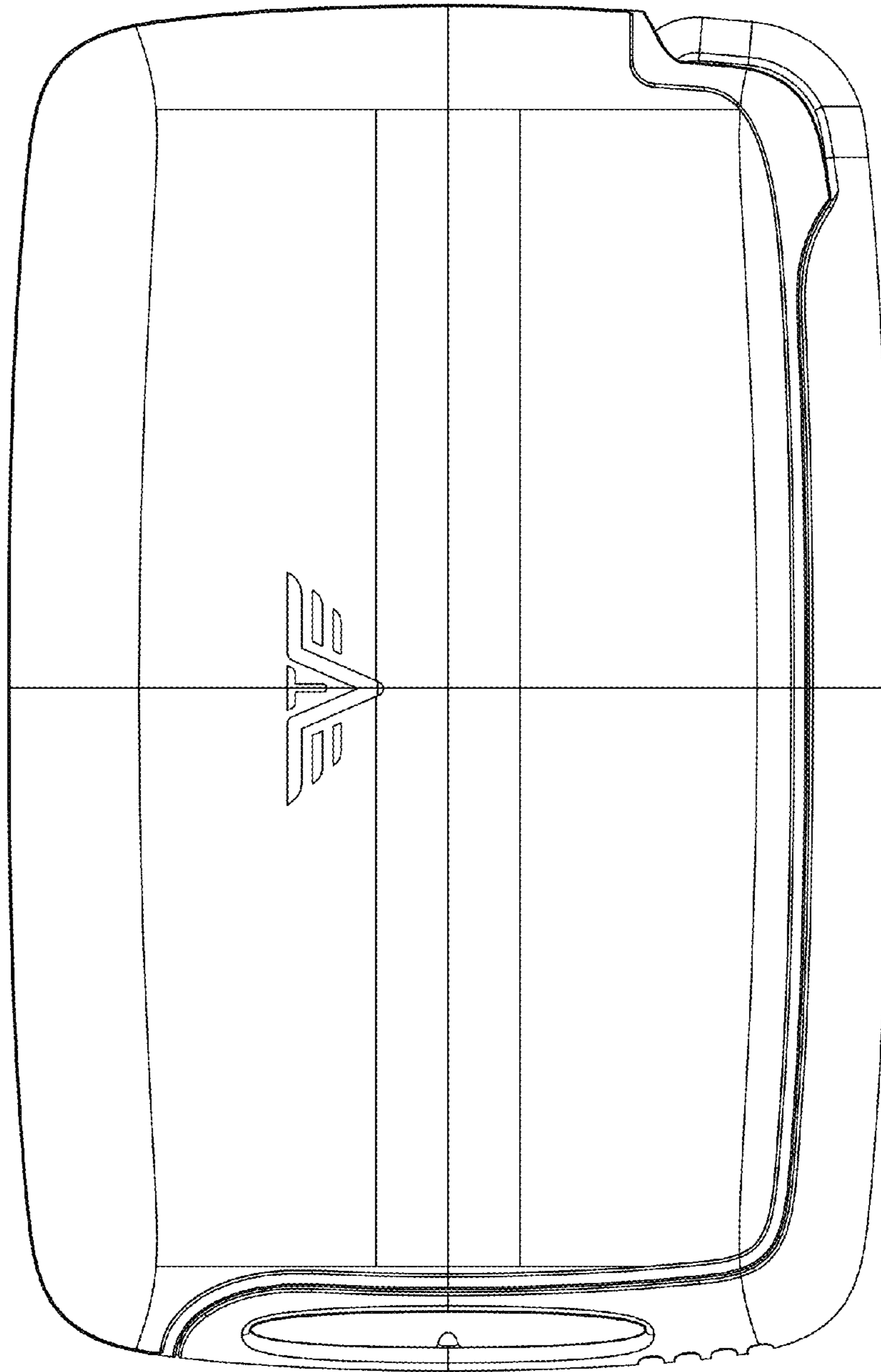


Figure 1

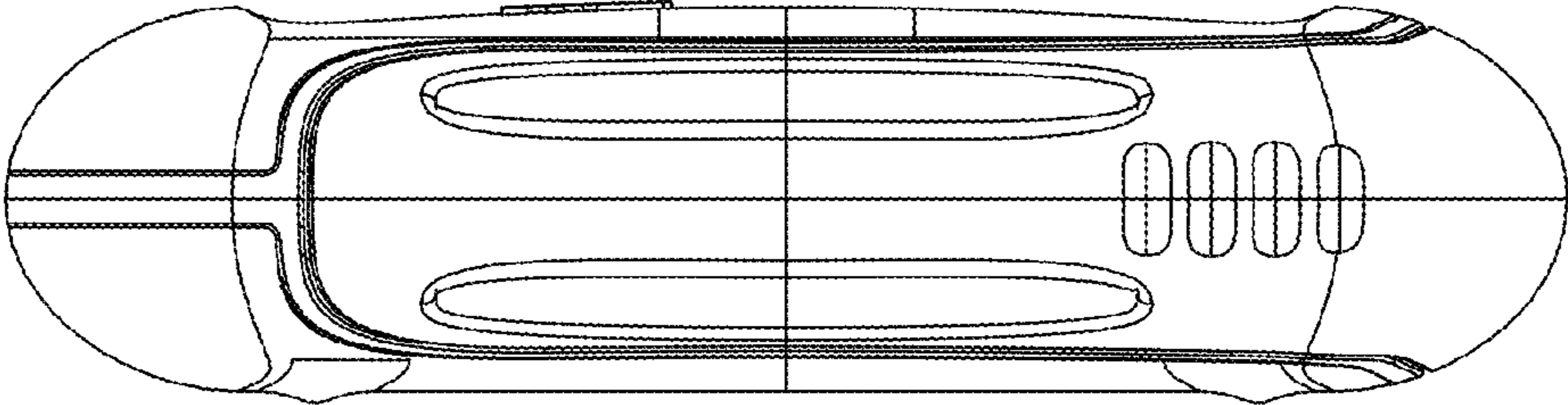


Figure 2

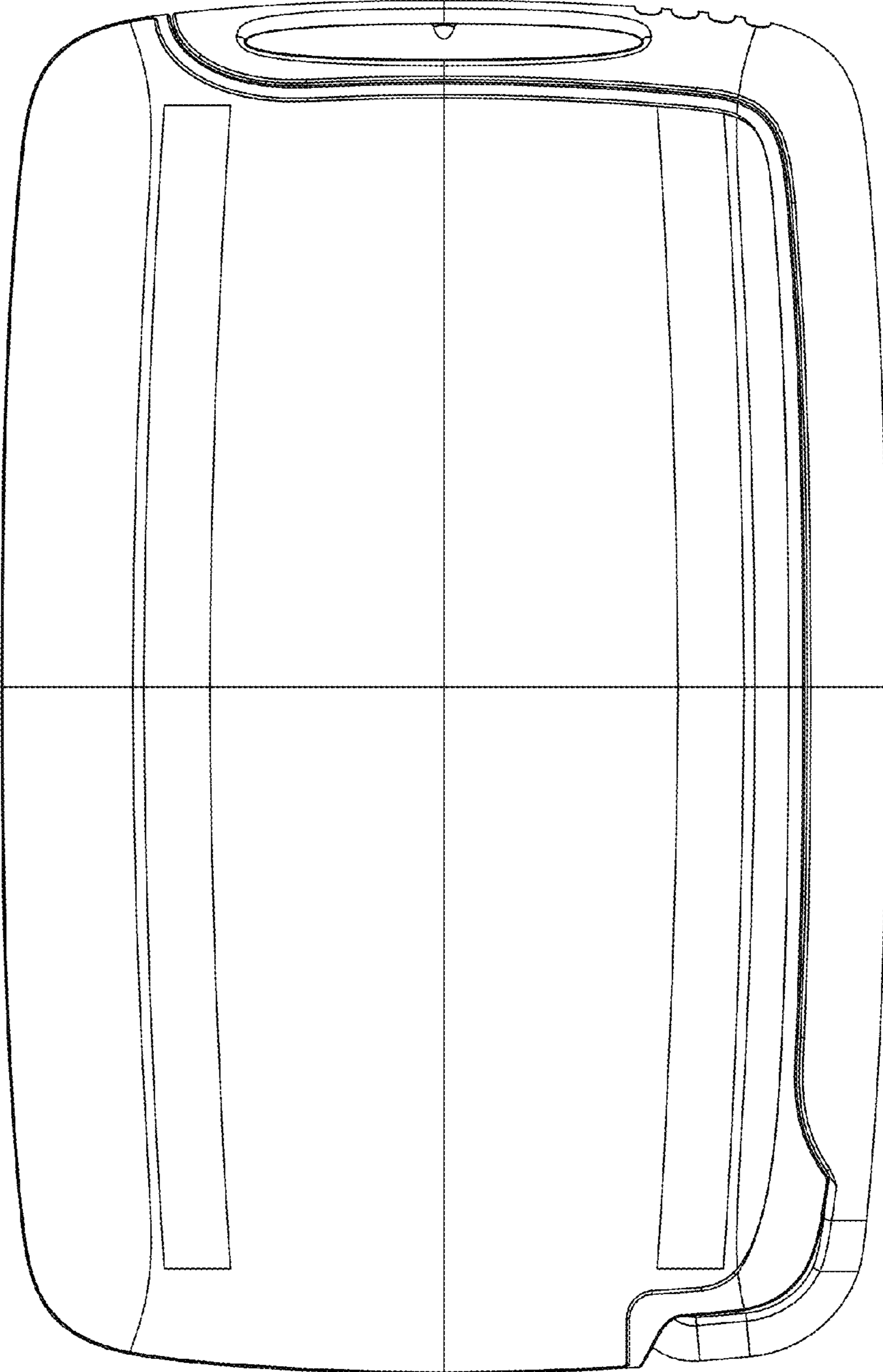


Figure 3

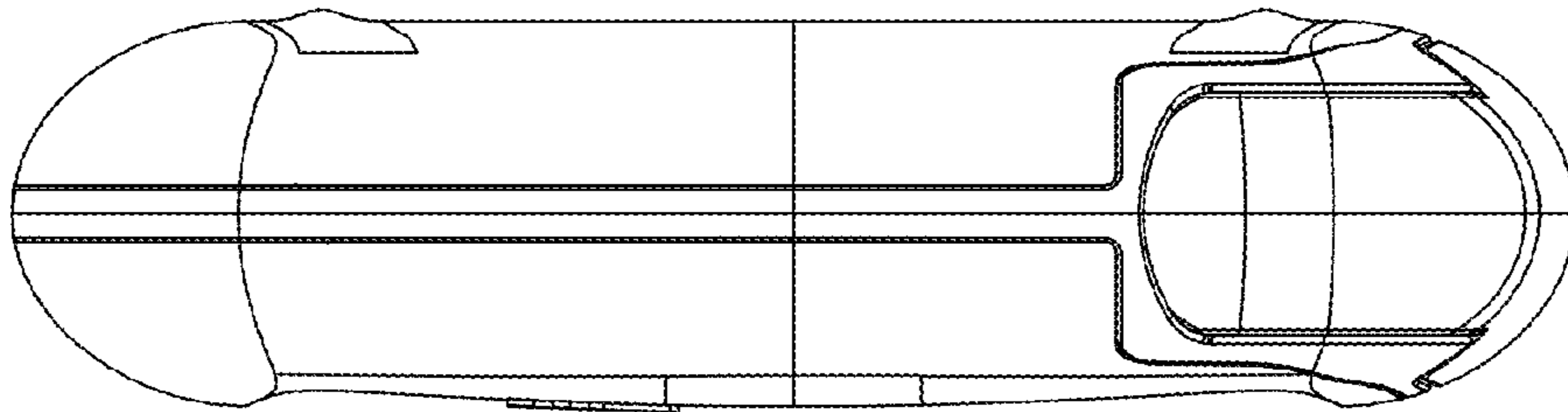


Figure 4

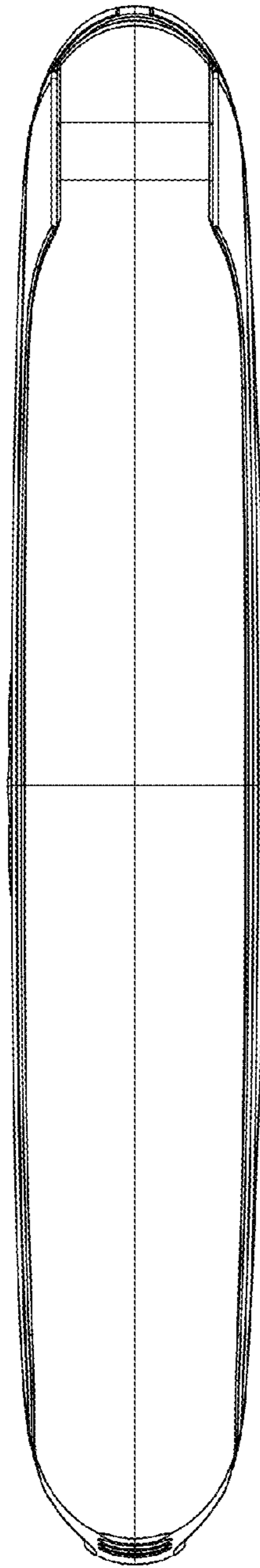


Figure 5

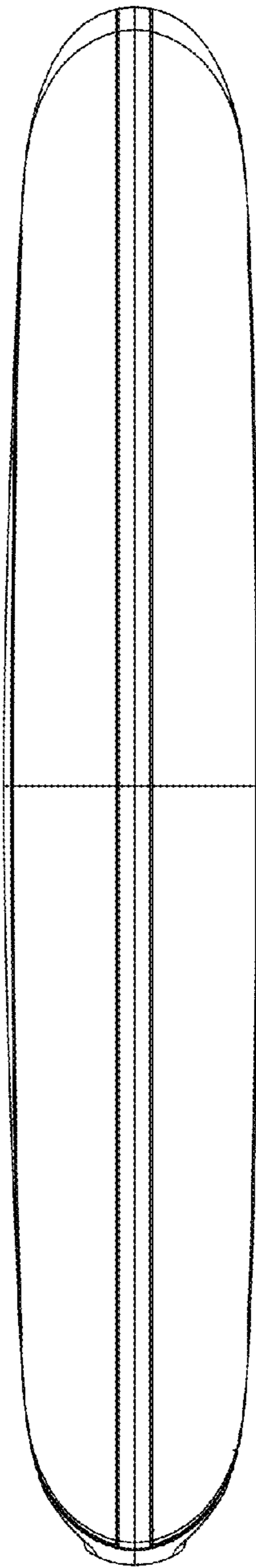


Figure 6

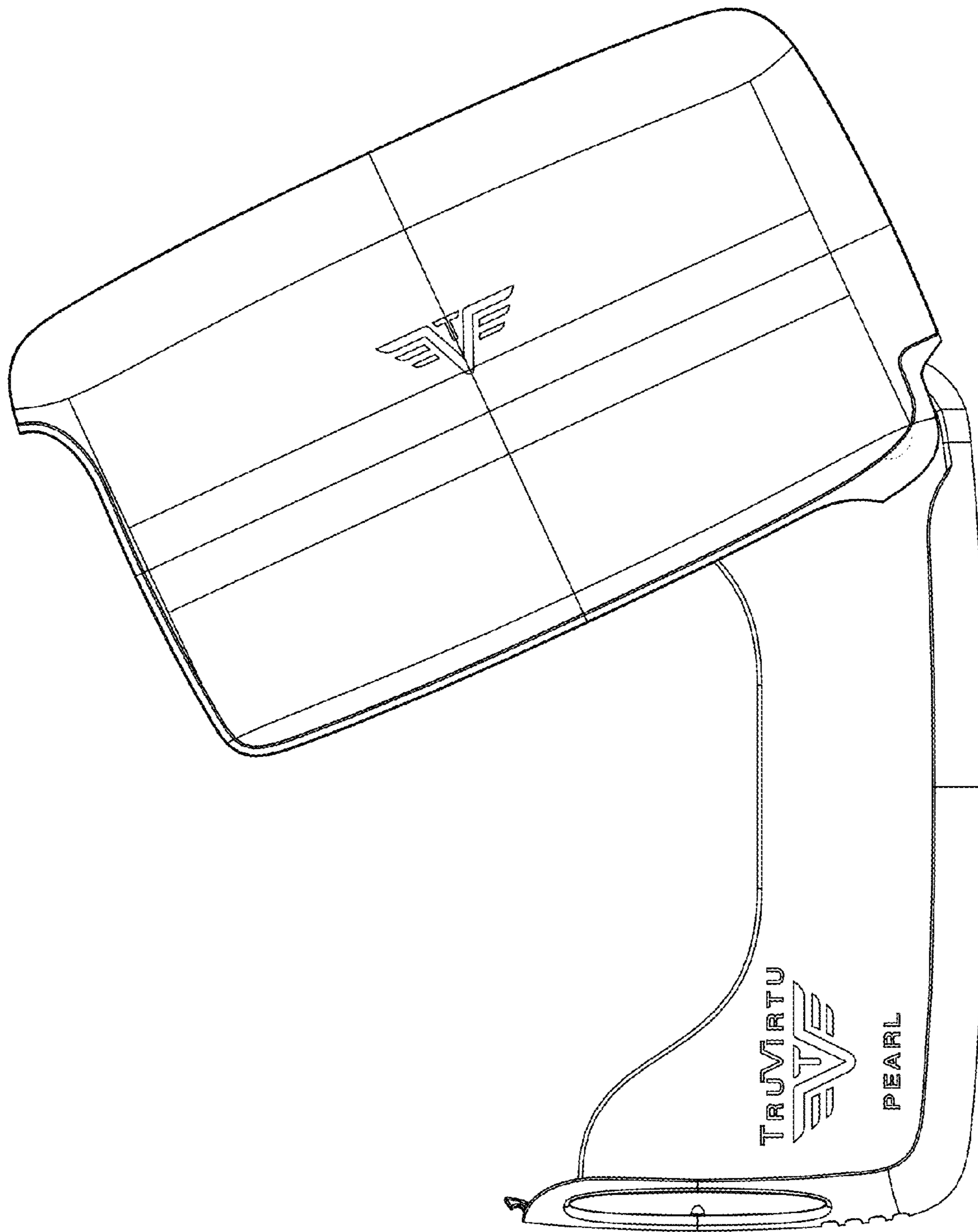


Figure 7

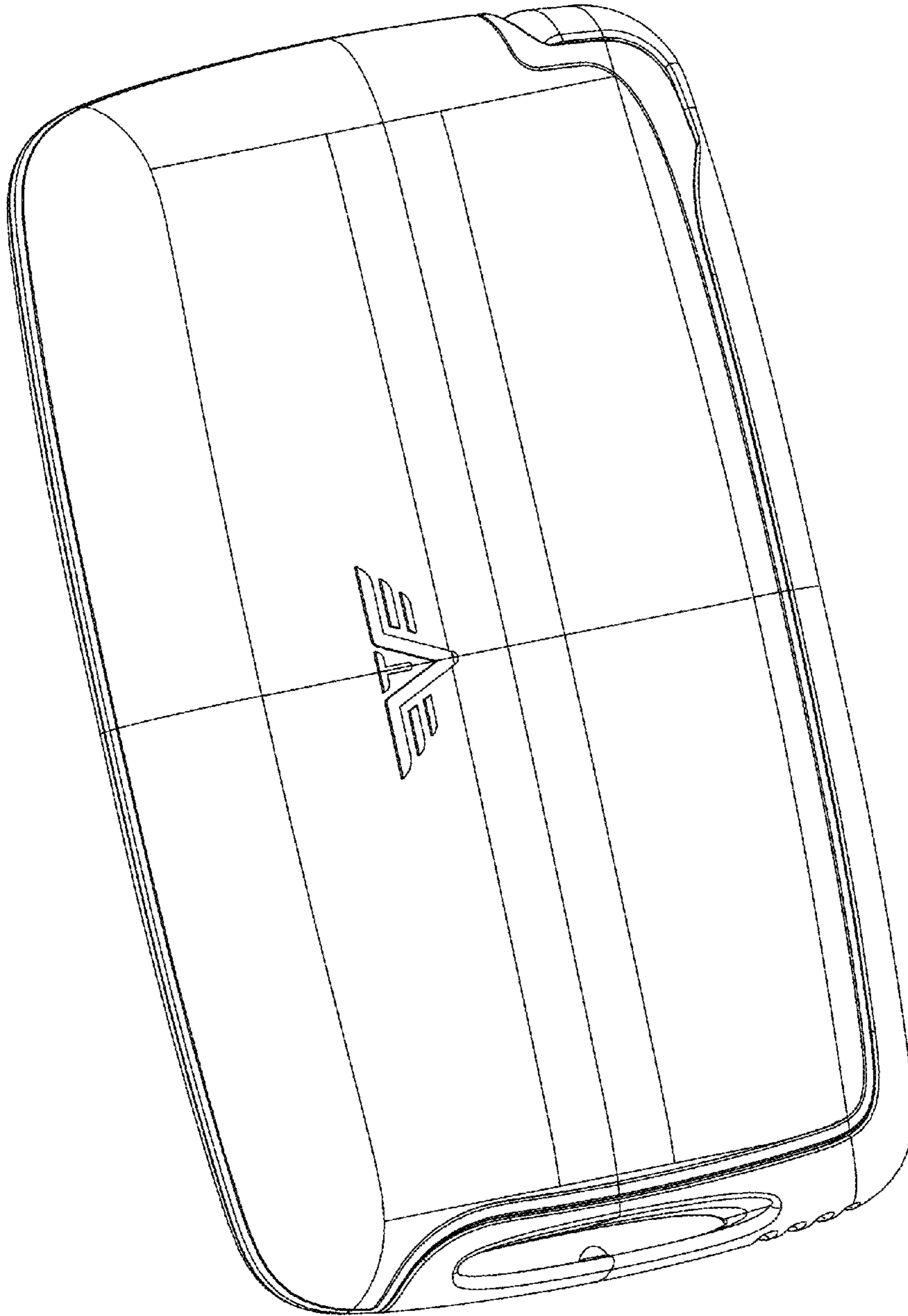


Figure 8