



US00D705537S

(12) **United States Design Patent**
Smith

(10) **Patent No.:** **US D705,537 S**

(45) **Date of Patent:** **** May 27, 2014**

(54) **BAG**

(76) Inventor: **Gail Lesley Smith**, Vancouver (CA)

(**) Term: **14 Years**

(21) Appl. No.: **29/417,156**

(22) Filed: **Mar. 30, 2012**

(51) **LOC (10) Cl.** **03-01**

(52) **U.S. Cl.**
USPC **D3/243**

(58) **Field of Classification Search**
USPC D3/232–233, 240–246, 318
See application file for complete search history.

(56) **References Cited**

U.S. PATENT DOCUMENTS

| | | | | |
|--------------|--------|--------------|-------|--------|
| D343,951 S * | 2/1994 | Petty et al. | | D3/249 |
| D396,554 S * | 8/1998 | Roeder | | D3/243 |
| D630,432 S * | 1/2011 | Tennyson | | D3/232 |

* cited by examiner

Primary Examiner — Holly Baynham

(74) *Attorney, Agent, or Firm* — Smart & Biggar

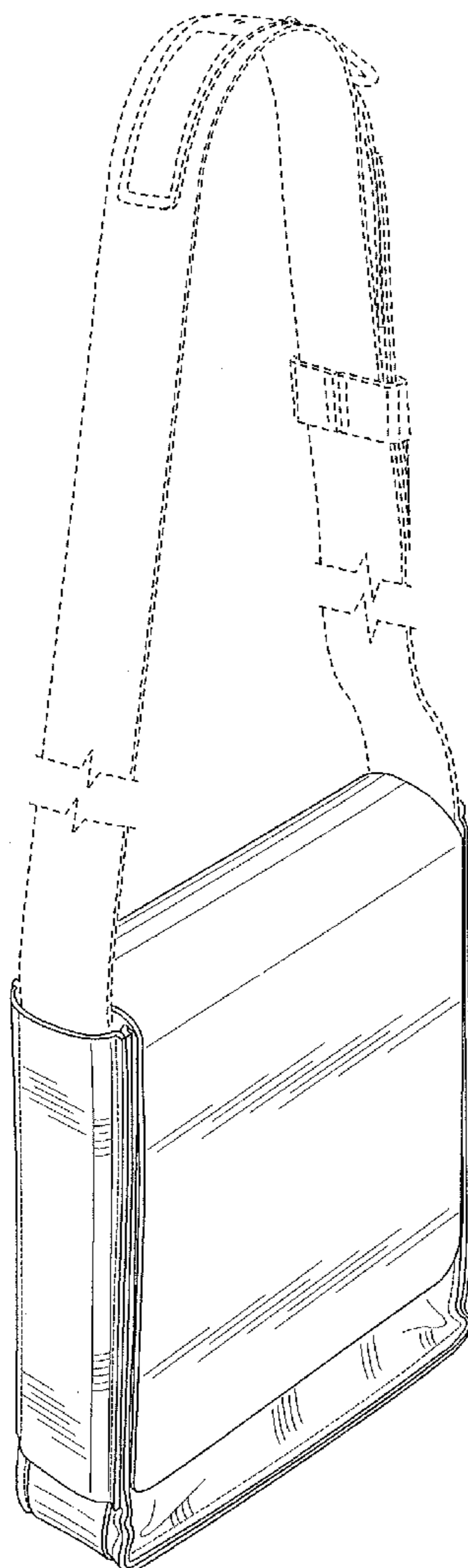
(57) **CLAIM**

The ornamental design for a bag, as shown and described.

DESCRIPTION

FIG. 1 is an upper left, front side perspective view of the bag;
FIG. 2 is an upper right, rear side perspective view of the bag;
FIG. 3 is a left side elevation view of the bag;
FIG. 4 is a front view of the bag of FIG. 1;
FIG. 5 is a right side elevation view of the bag of FIG. 1;
FIG. 6 is a rear view of the bag;
FIG. 7 is a top plan view of the bag of FIG. 1; and,
FIG. 8 is a bottom plan view of the bag of FIG. 1.
The broken lines shown are for illustrative purposes only and form no part of the claimed design.

1 Claim, 5 Drawing Sheets



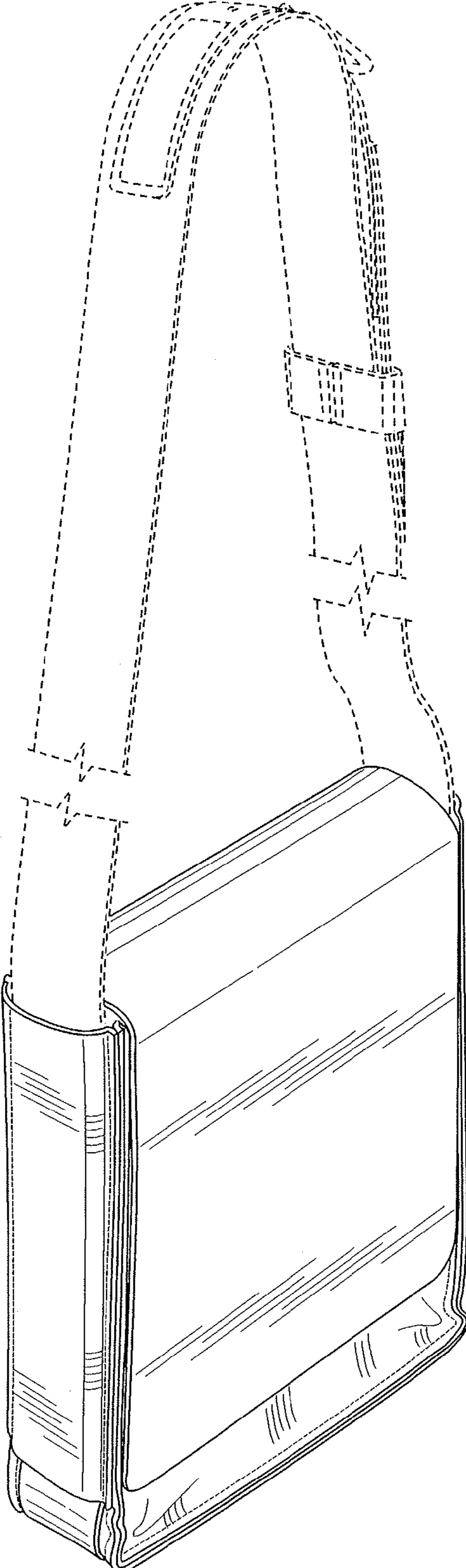


FIG. 1

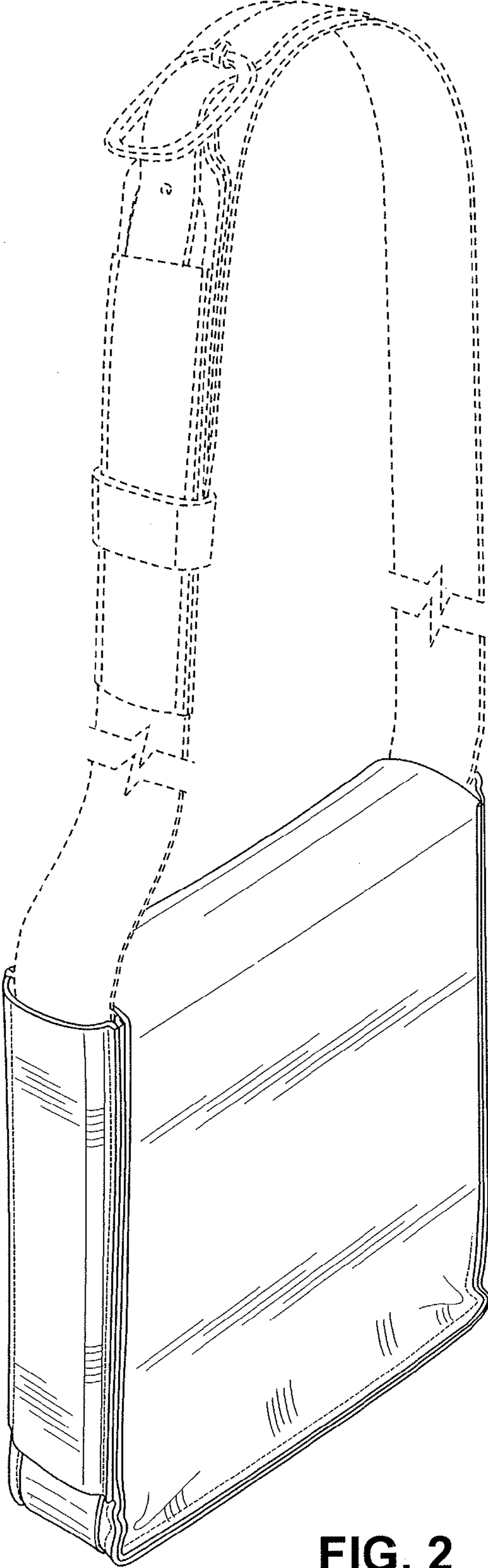


FIG. 2

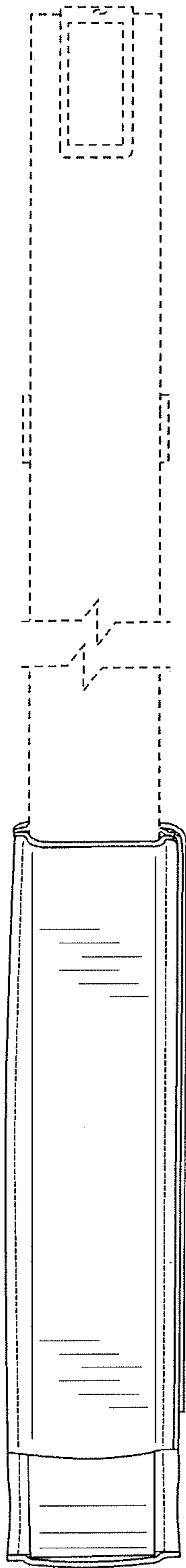


FIG. 3

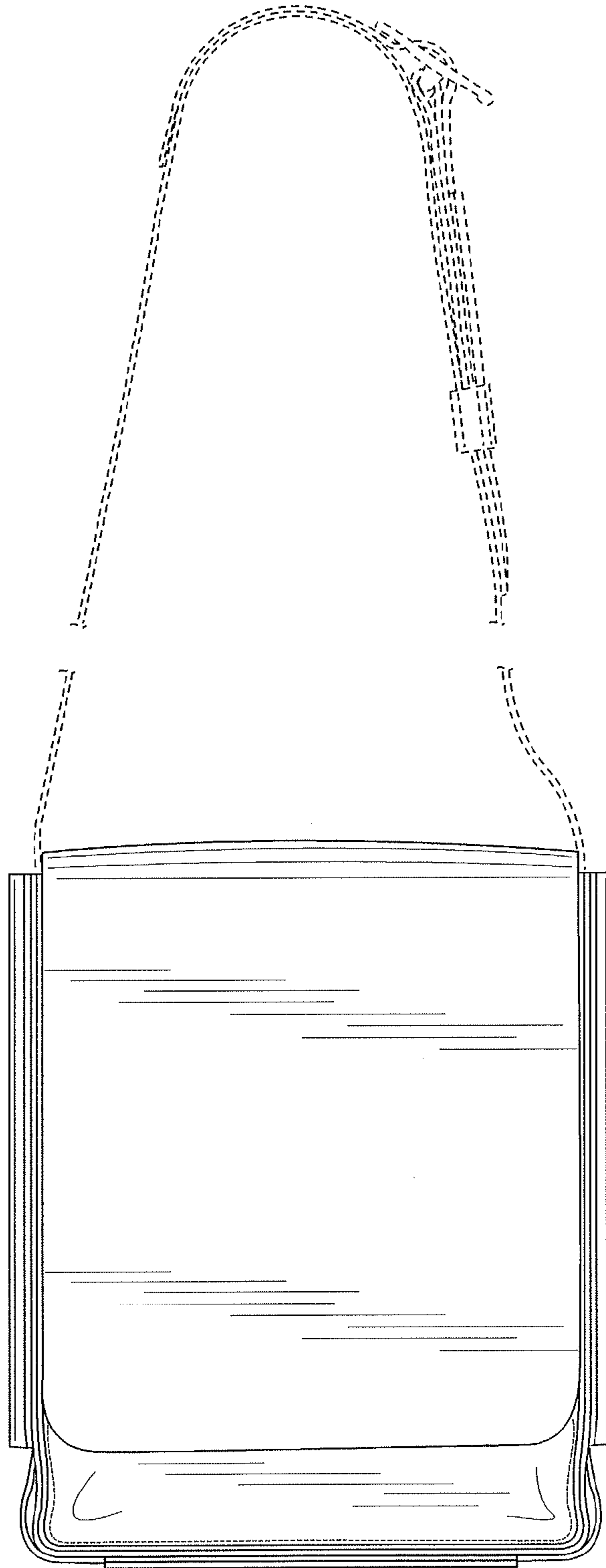


FIG. 4

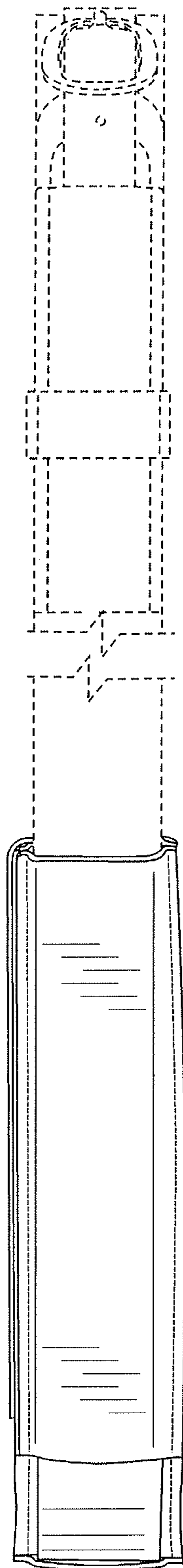


FIG. 5

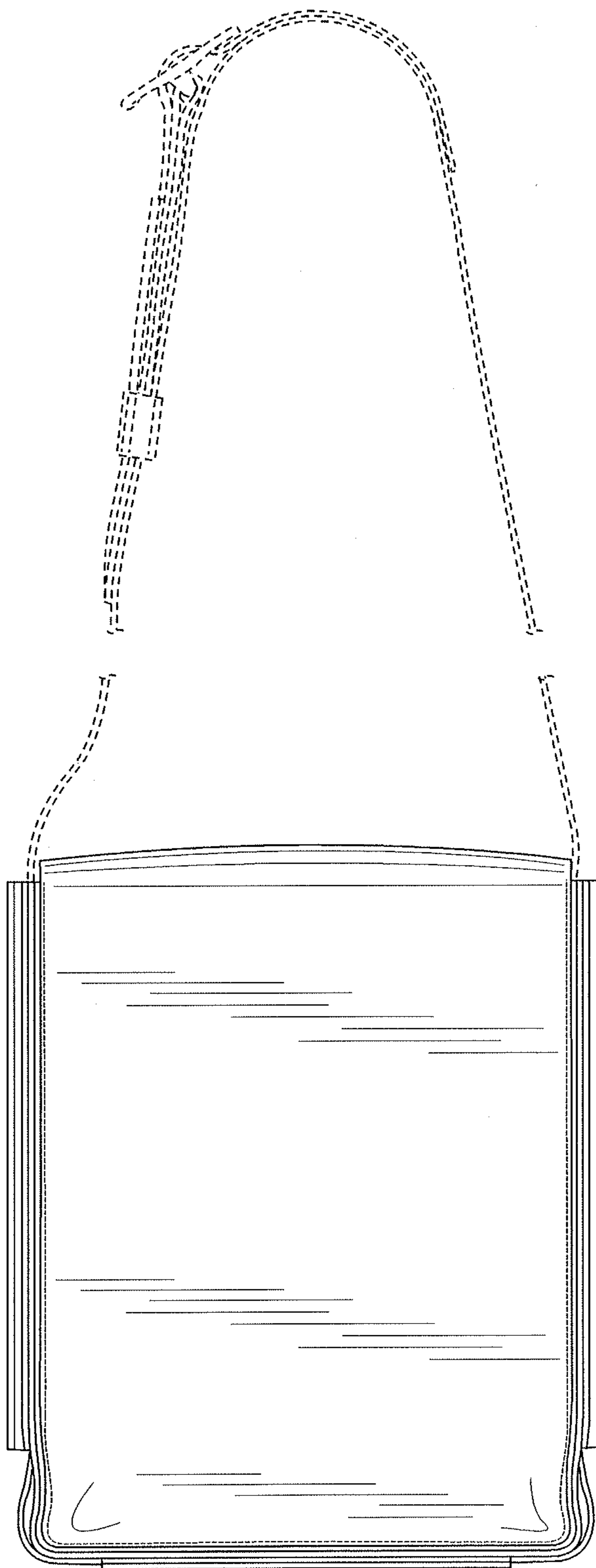


FIG. 6

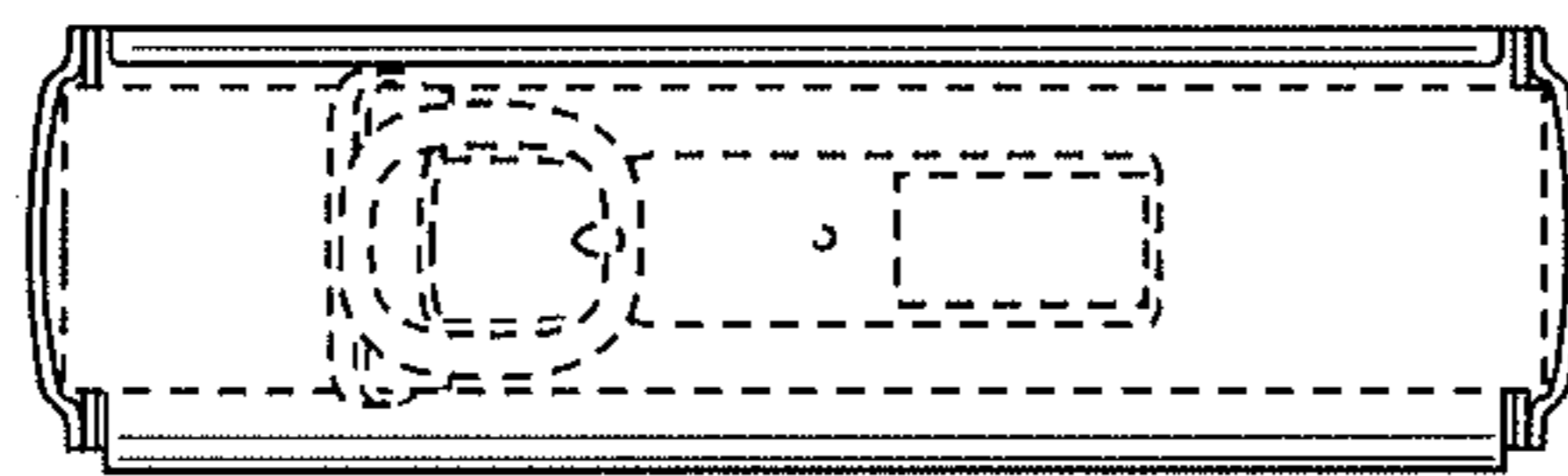


FIG. 7

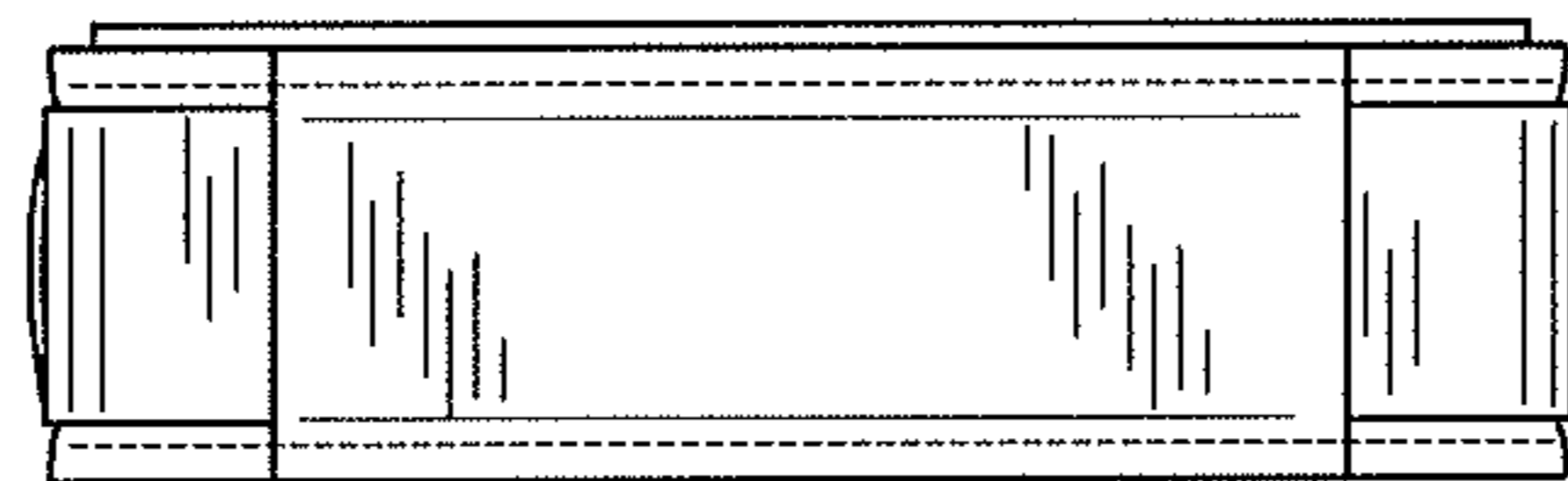


FIG. 8