



US00D705536S

(12) **United States Design Patent**  
**Moreau et al.**

(10) **Patent No.:** **US D705,536 S**  
(45) **Date of Patent:** **\*\* May 27, 2014**

(54) **TWO POCKET RETRACTABLE TOOL  
POUCH FOR ATTACHING TO A TOOL BELT  
OR A BODY HARNESS VERTICAL STRAP**

*Primary Examiner* — Catheri Oliver-Garcia  
(74) *Attorney, Agent, or Firm* — Robert R. Deleault, Esq.;  
Mesmer & Deleault, PLLC

(71) Applicant: **Ty-Flot, Inc.**, Manchester, NH (US)  
(72) Inventors: **Darrell A. Moreau**, Manchester, NH  
(US); **Andre W. Moreau**, Spring Hill,  
FL (US)

(57) **CLAIM**  
We claim the ornamental design for a two pocket retractable  
tool pouch for attaching to a tool belt or a body harness  
vertical strap, as shown and described.

(73) Assignee: **Ty-Flot, Inc.**, Manchester, NH (US)  
(\*\*) Term: **14 Years**  
(21) Appl. No.: **29/452,488**  
(22) Filed: **Apr. 17, 2013**  
(51) **LOC (10) Cl.** ..... **03-01**  
(52) **U.S. Cl.**  
USPC ..... **D3/228**  
(58) **Field of Classification Search**  
USPC ..... D3/228, 224, 226, 215, 221, 263, 267;  
224/575-577, 625, 660, 665, 674,  
224/676-677, 680, 682-683; 206/372-376  
See application file for complete search history.

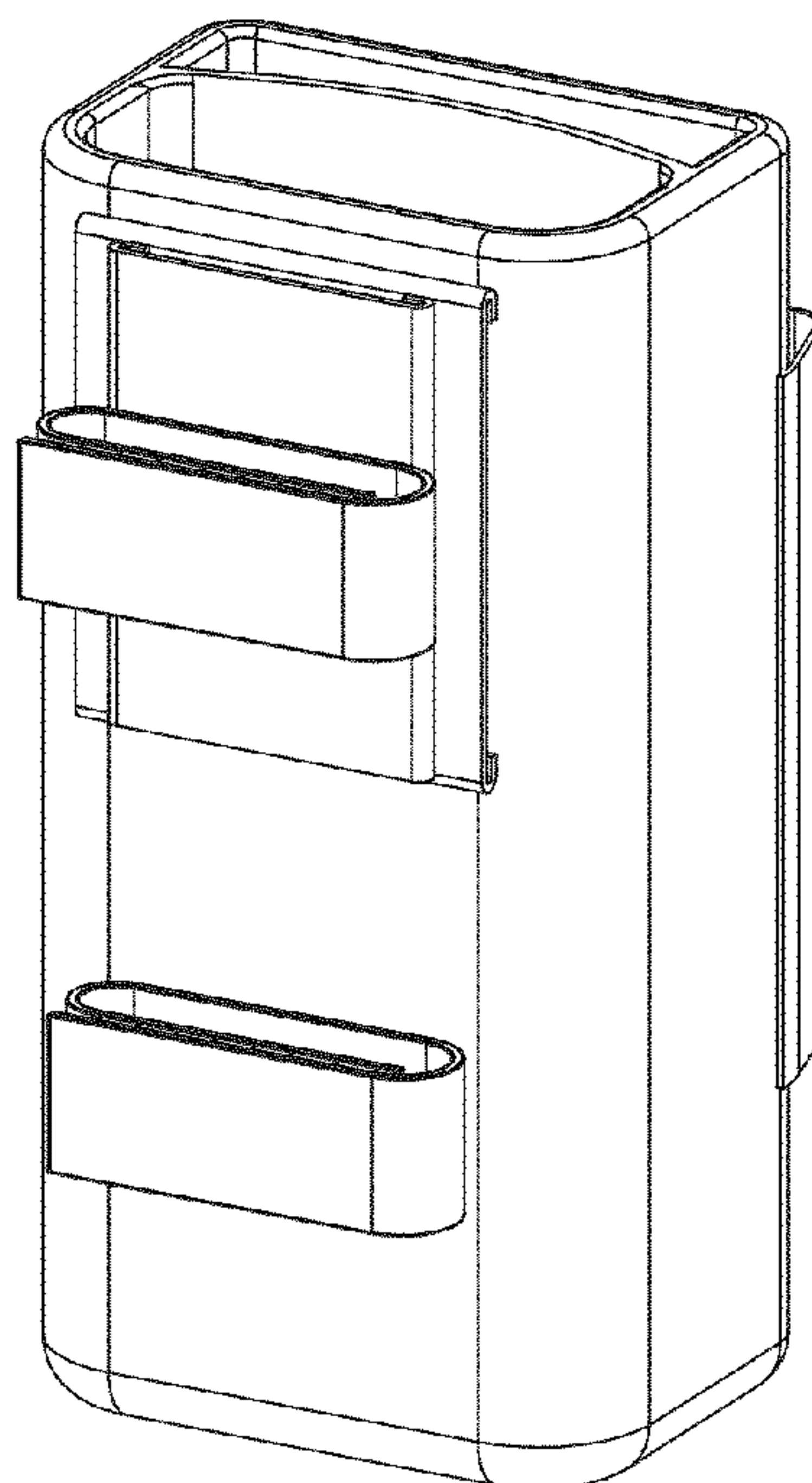
**DESCRIPTION**

FIG. 1 is a rear perspective view of a two pocket retractable  
tool pouch for attaching to a tool belt or body harness vertical  
strap showing our new design;  
FIG. 2 is a front perspective view thereof.  
FIG. 3 is a front elevation view thereof.  
FIG. 4 is a rear elevation view thereof.  
FIG. 5 is a right side view thereof.  
FIG. 6 is a left side view thereof.  
FIG. 7 is a top plan view thereof.  
FIG. 8 is a bottom plan view thereof.  
FIG. 9 is a rear perspective view thereof at a reduced scale  
with a tool belt wrap-around strap (not claimed).  
FIG. 10 is a rear perspective view thereof at a reduced scale  
attached to a tool belt (not claimed); and,  
FIG. 11 is a rear perspective view thereof at a reduced scale  
attached to a body harness vertical strap (not claimed).  
The broken line showing of a tool belt wrap-around strap in  
FIG. 9, a tool belt passing through a belt loop in FIG. 10 and  
a body harness vertical strap in FIG. 11 are included for the  
purpose of illustrating example uses of the claimed two  
pocket retractable tool pouch and form no part of the claimed  
design.

(56) **References Cited**  
U.S. PATENT DOCUMENTS  
D272,201 S \* 1/1984 Garcia ..... D3/228  
D387,898 S \* 12/1997 Ronzani ..... D3/215  
D389,303 S \* 1/1998 Shafer ..... D3/228  
D413,430 S \* 9/1999 Granata ..... D3/228

\* cited by examiner

**1 Claim, 4 Drawing Sheets**



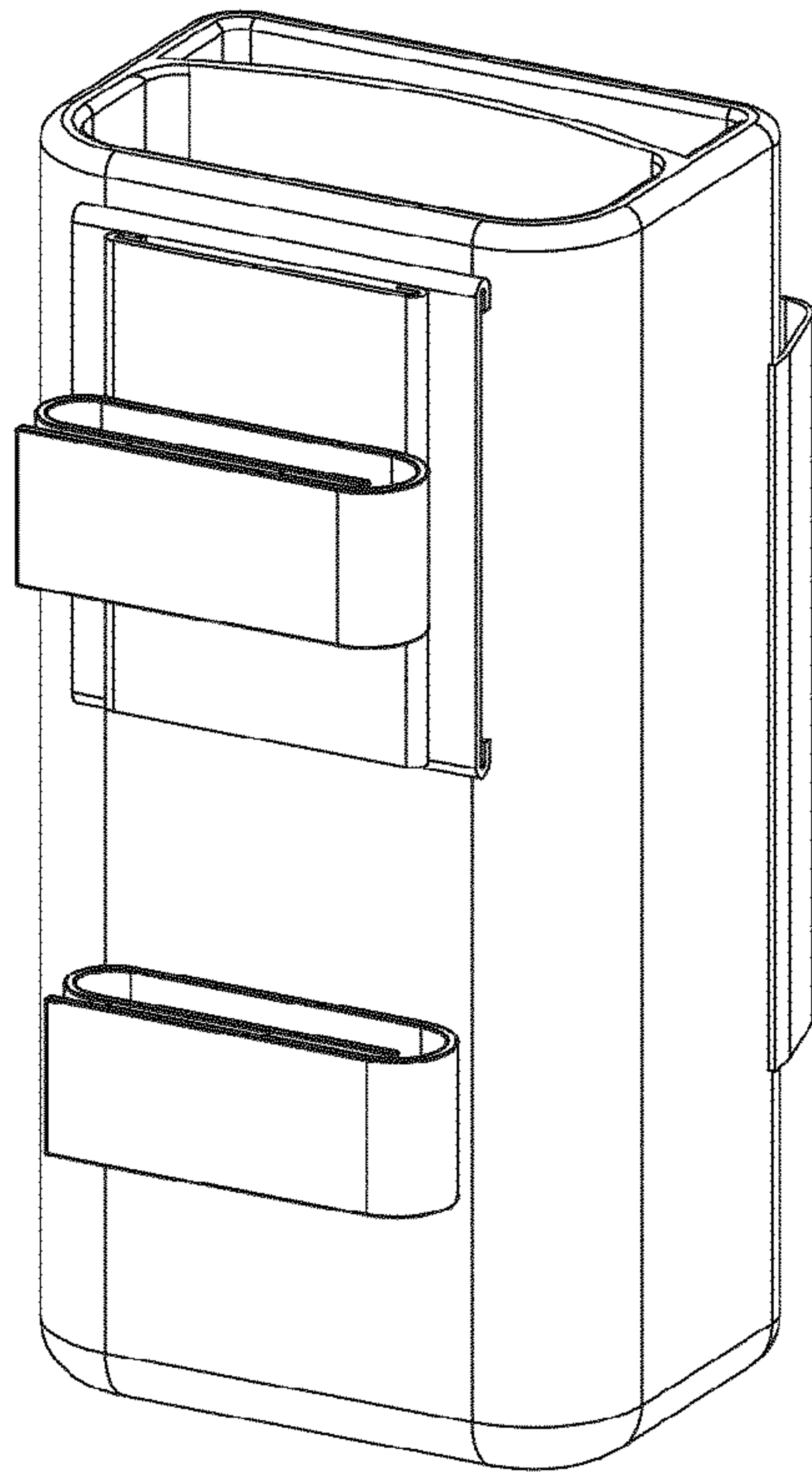


Fig. 1

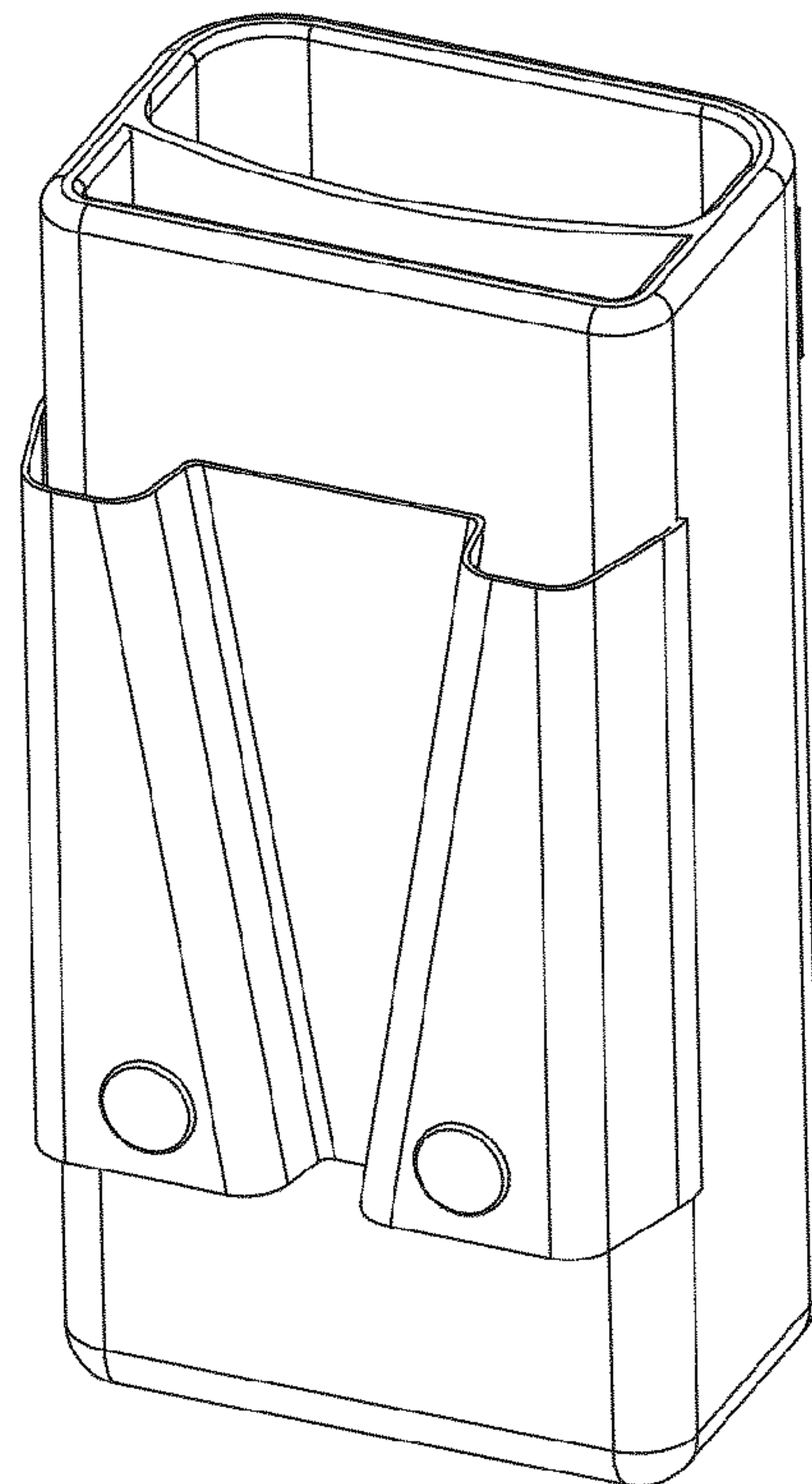


Fig. 2

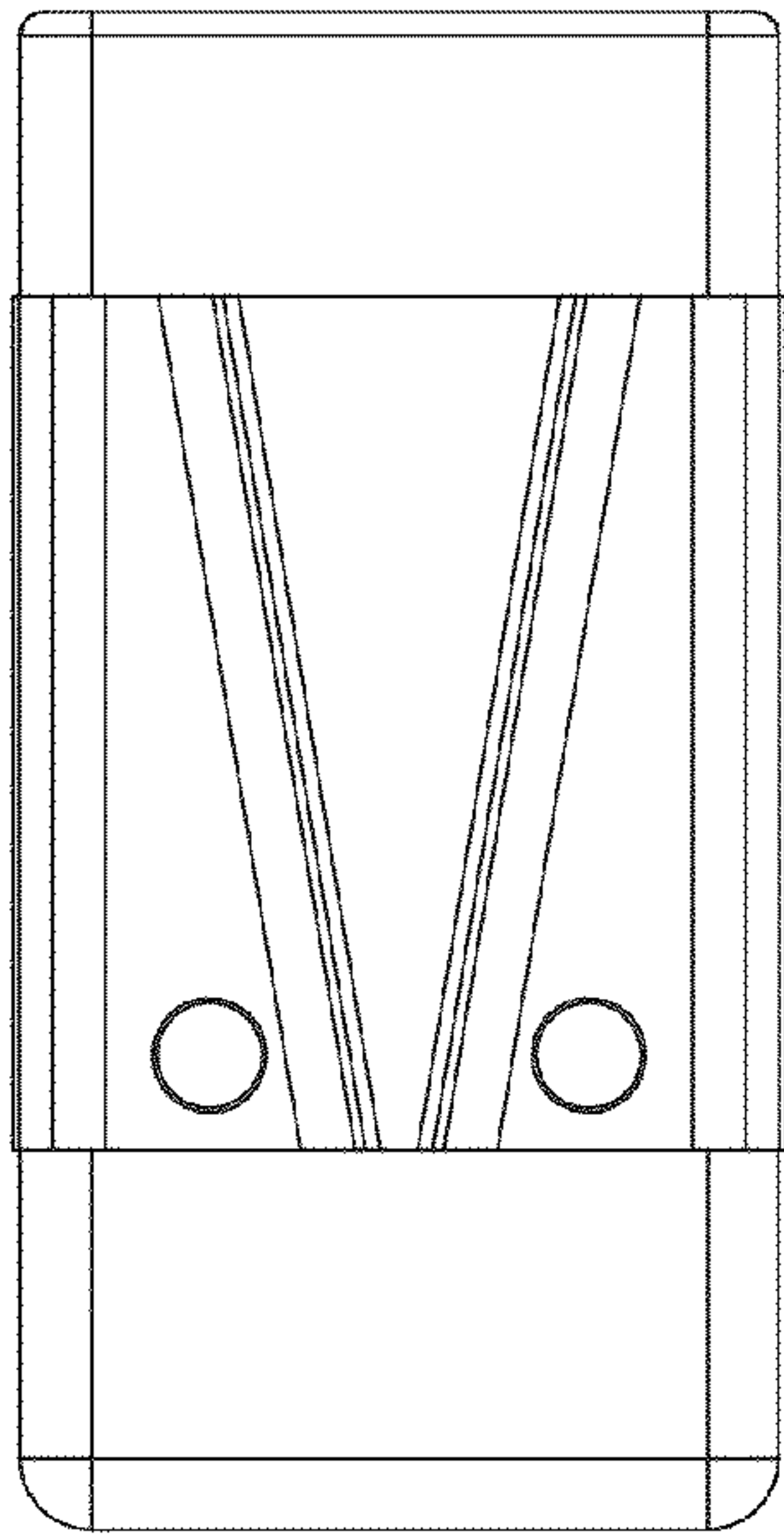


Fig. 3

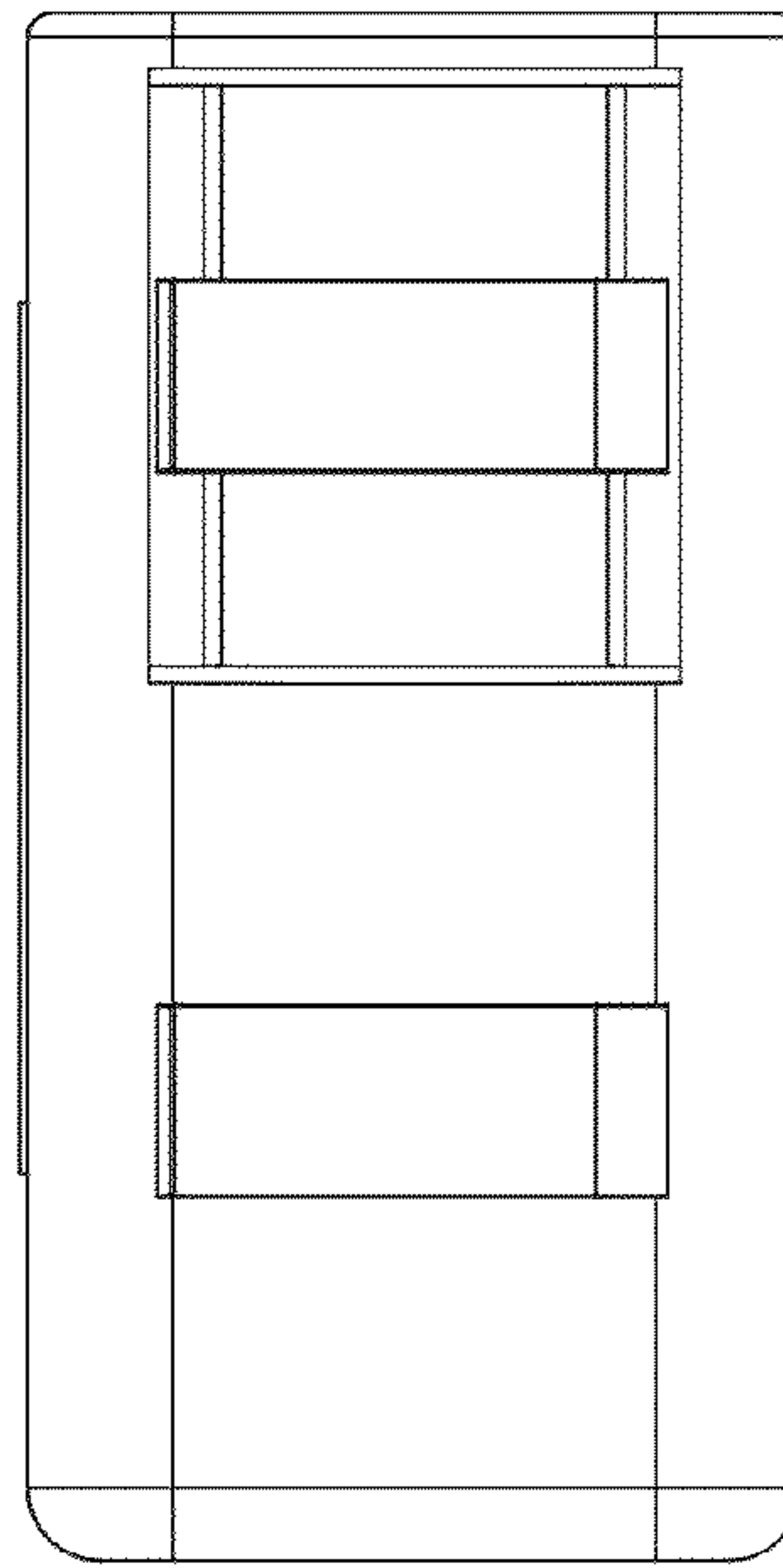


Fig. 4

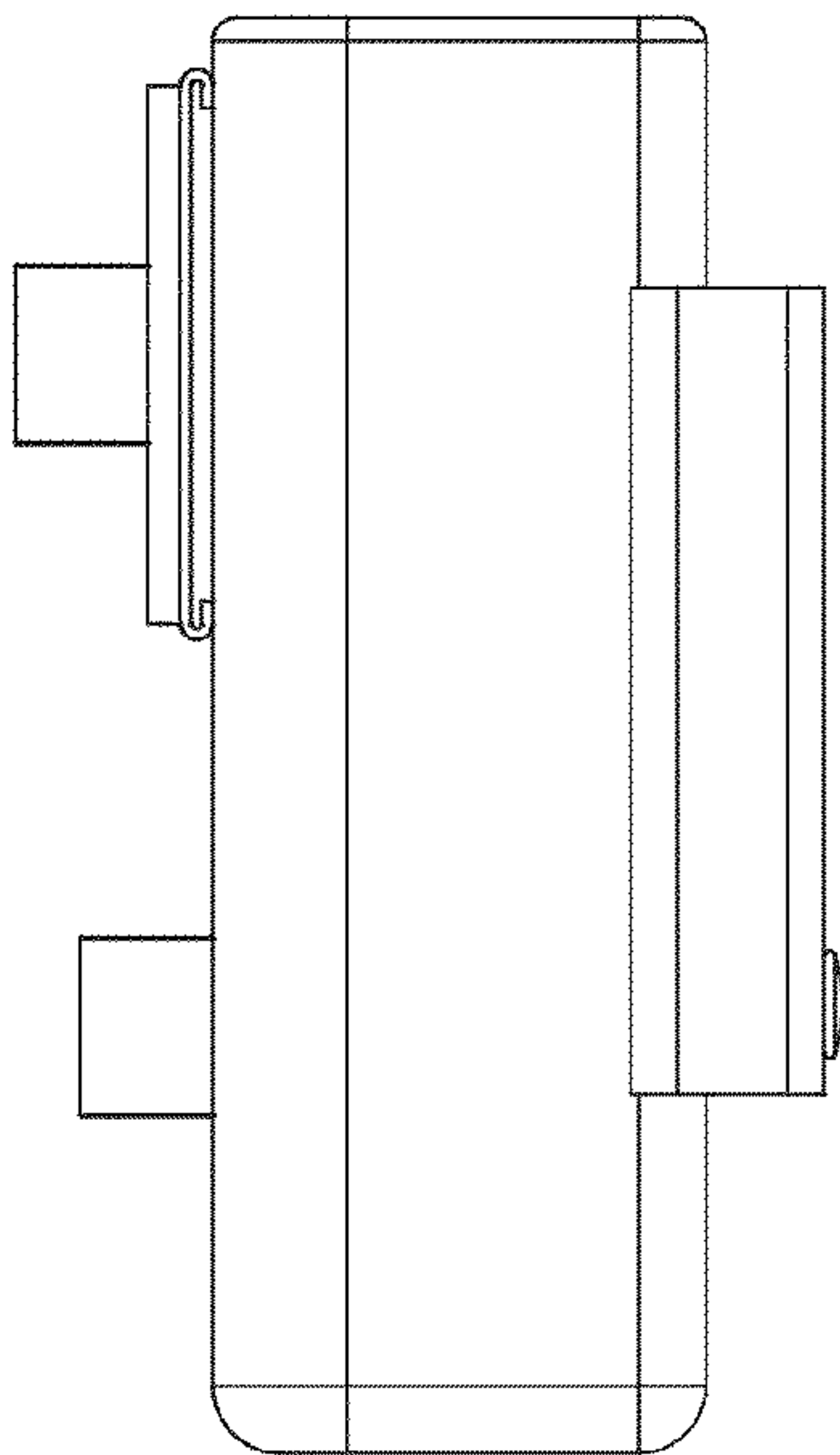


Fig. 5

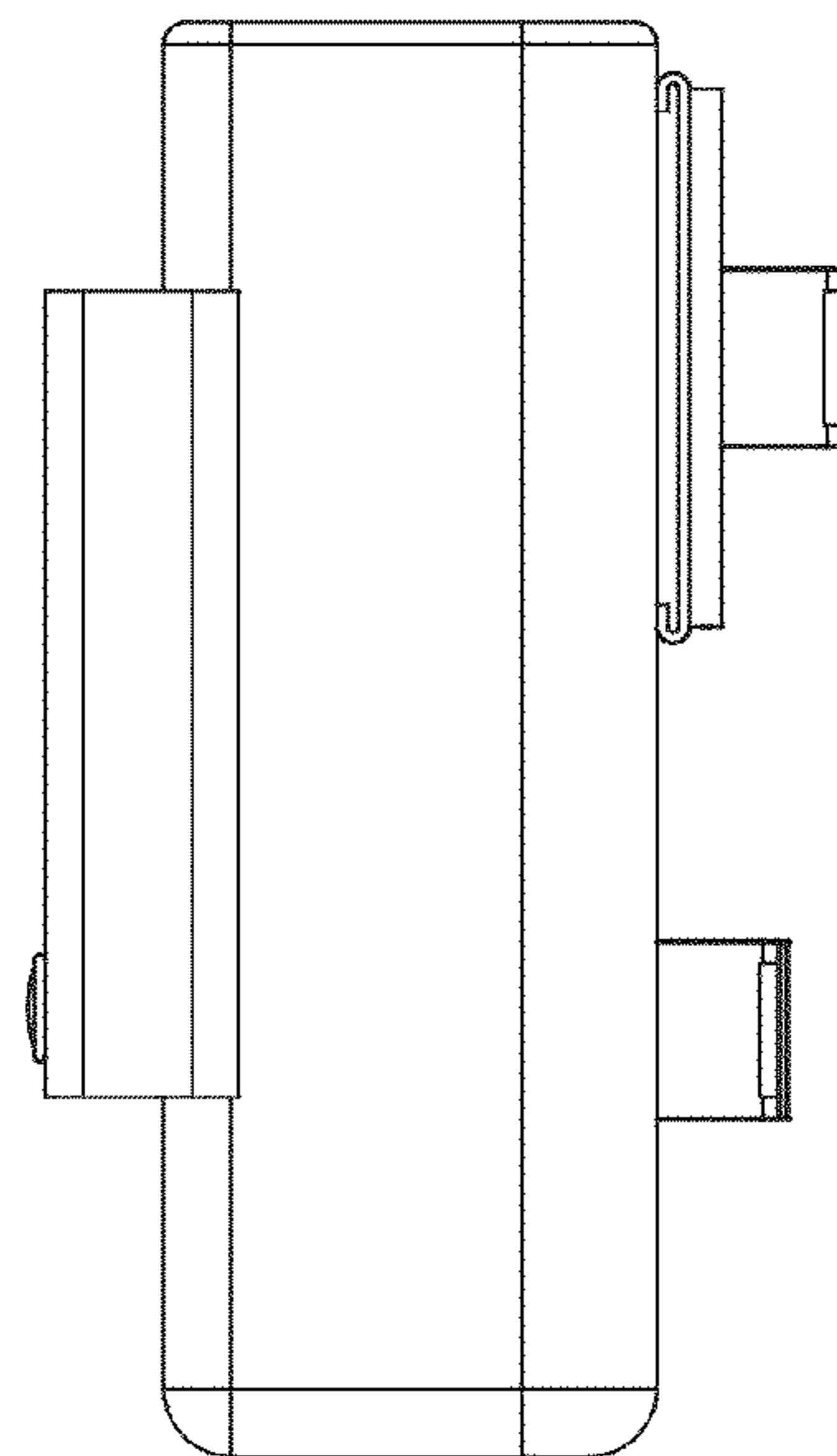


Fig. 6

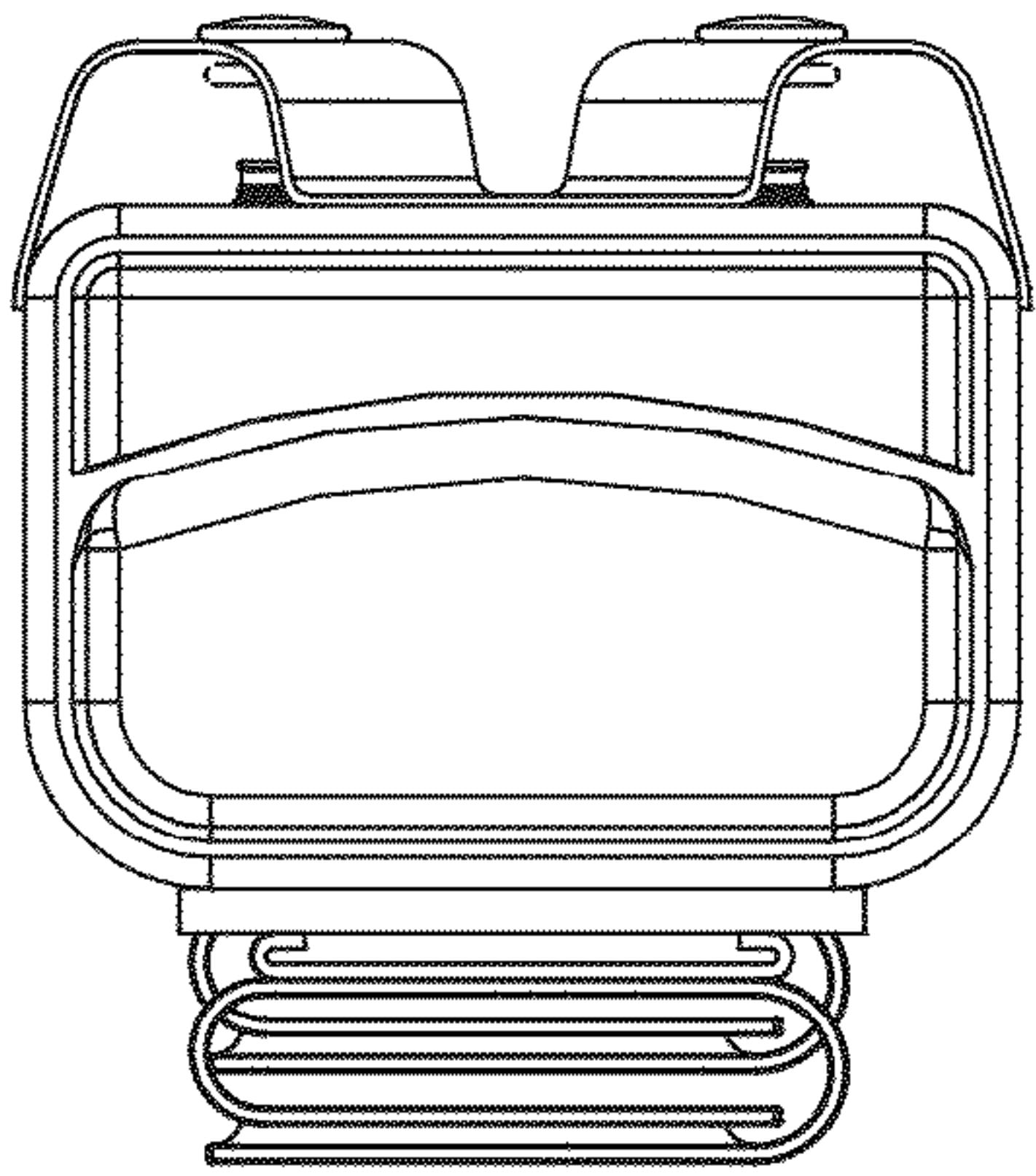


Fig. 7

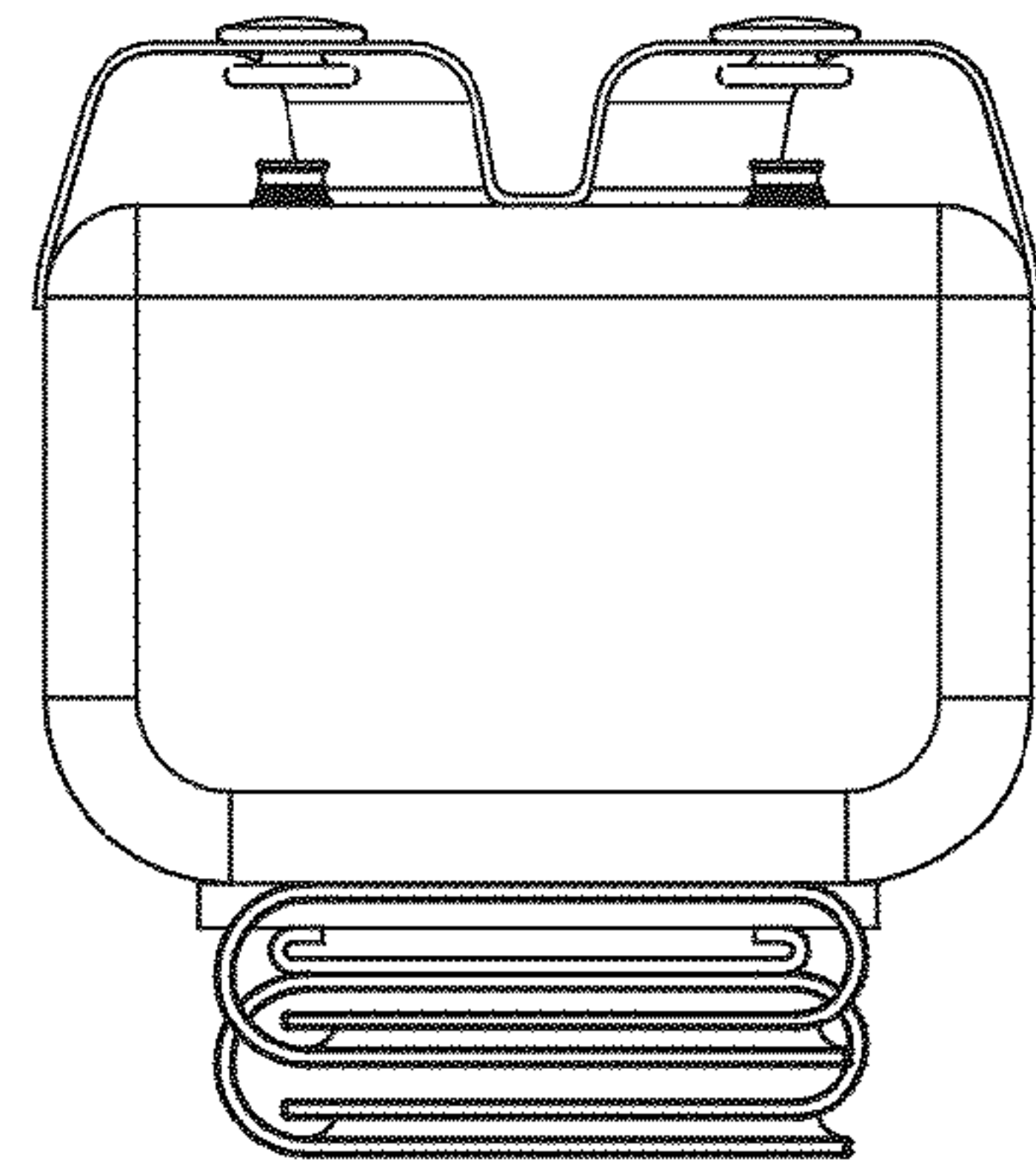


Fig. 8

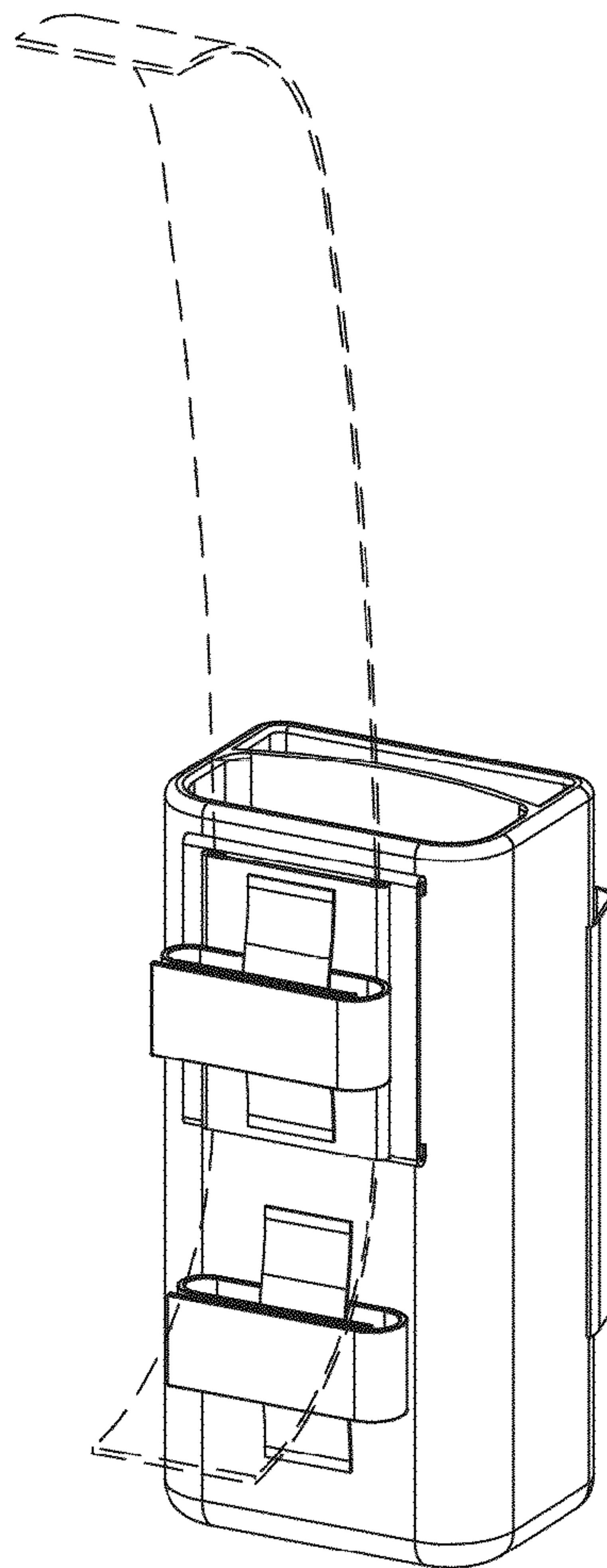


Fig. 9



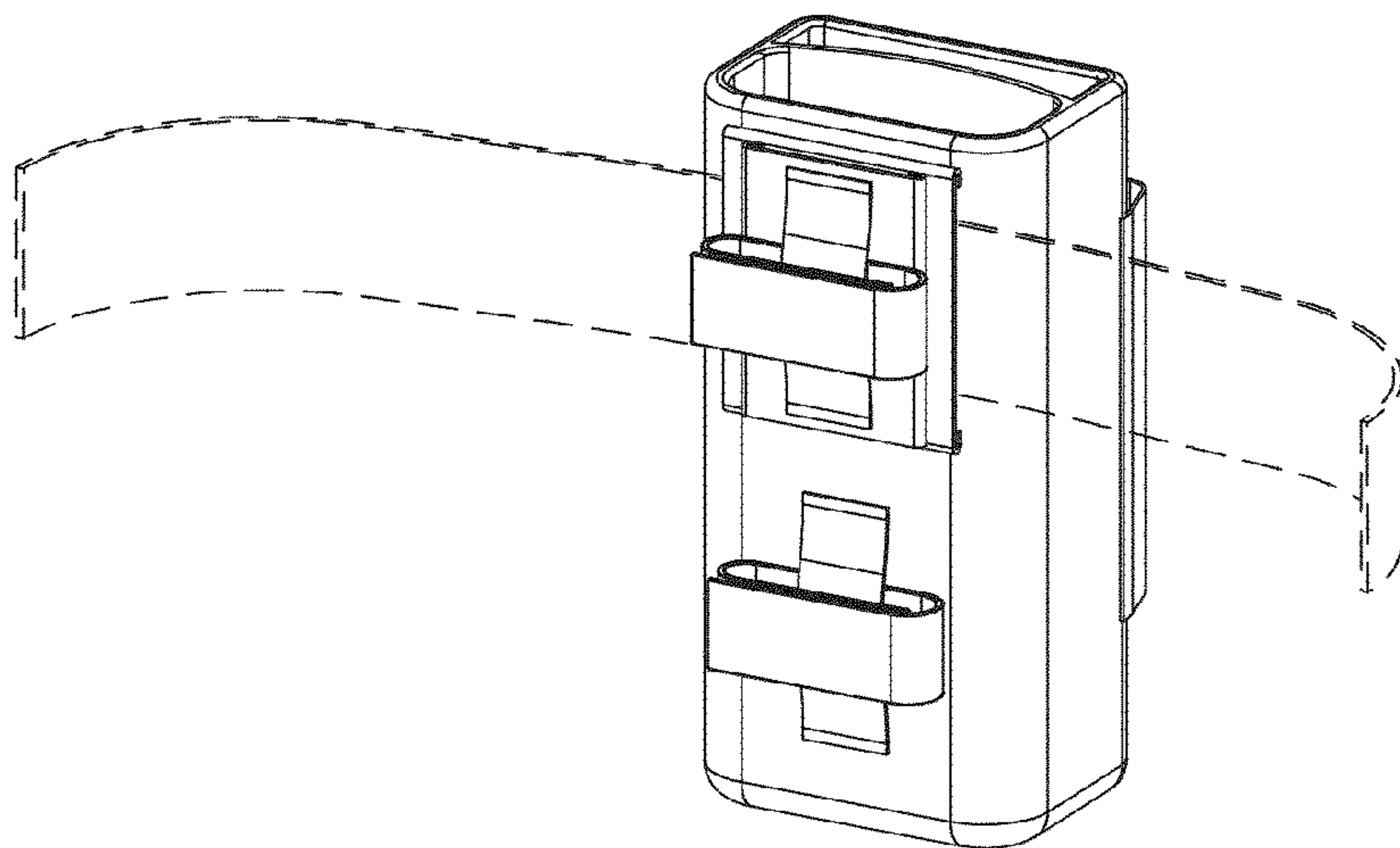


Fig. 10

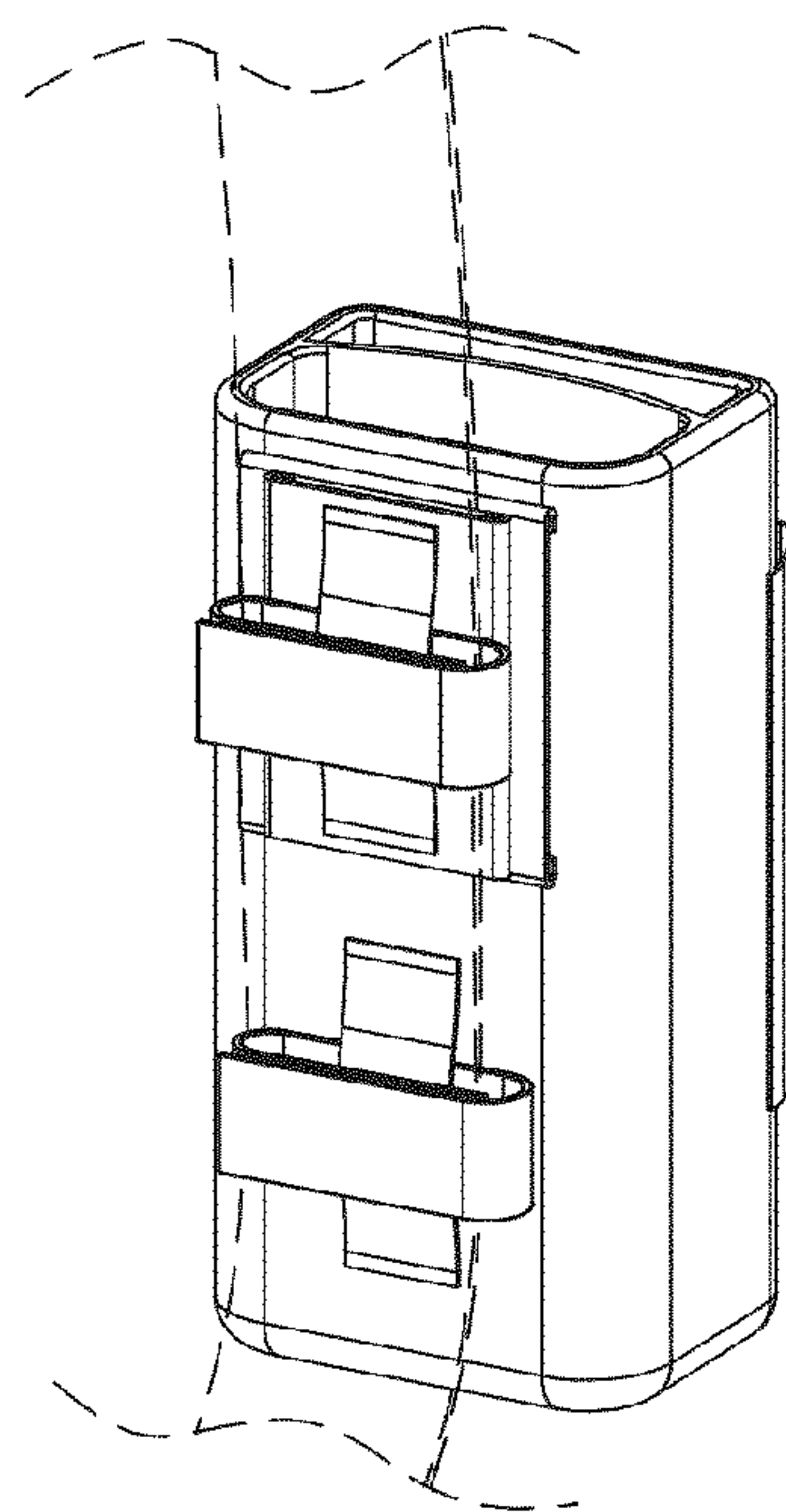


Fig. 11