



US00D705534S

(12) **United States Design Patent**  
**Manjerico**

(10) **Patent No.:** **US D705,534 S**  
(45) **Date of Patent:** **\*\* May 27, 2014**

(54) **PORTABLE CASE FOR A MOBILE TELEPHONE**

(71) Applicant: **Antonio J. M. Manjerico**, Wilmington, DE (US)

(72) Inventor: **Antonio J. M. Manjerico**, Wilmington, DE (US)

(\*\*) Term: **14 Years**

(21) Appl. No.: **29/441,038**

(22) Filed: **Dec. 31, 2012**

(51) **LOC (10) Cl.** ..... **03-01**

(52) **U.S. Cl.**  
USPC ..... **D3/218; D3/294**

(58) **Field of Classification Search**  
CPC ..... A45C 2011/001; A45C 2011/002;  
A45C 2011/003  
USPC ..... D3/218, 215, 201, 219, 303, 294, 269;  
206/305, 320; 455/575.1-575.8;  
379/455; 224/674-677, 680-683,  
224/240-241, 901, 904; D14/250-251,  
D14/253, 496  
See application file for complete search history.

(56) **References Cited**

**U.S. PATENT DOCUMENTS**

6,313,982 B1 11/2001 Hino  
D467,429 S \* 12/2002 Bone et al. .... D3/294

7,643,646 B2 1/2010 Fielding, Jr.  
D624,304 S \* 9/2010 Danze et al. .... D3/201  
7,922,049 B2 4/2011 Wu et al.  
8,194,405 B2 6/2012 Dong  
D676,239 S \* 2/2013 Benoit et al. .... D3/294  
8,504,126 B1 \* 8/2013 Maravilla et al. .... 455/575.1  
2007/0235492 A1 10/2007 Sirichai et al.  
2008/0203123 A1 8/2008 de Leon  
2012/0111881 A1 5/2012 Gaddis, II et al.

\* cited by examiner

*Primary Examiner* — Catheri Oliver-Garcia

(74) *Attorney, Agent, or Firm* — Montgomery Patent & Design; Robert C. Montgomery

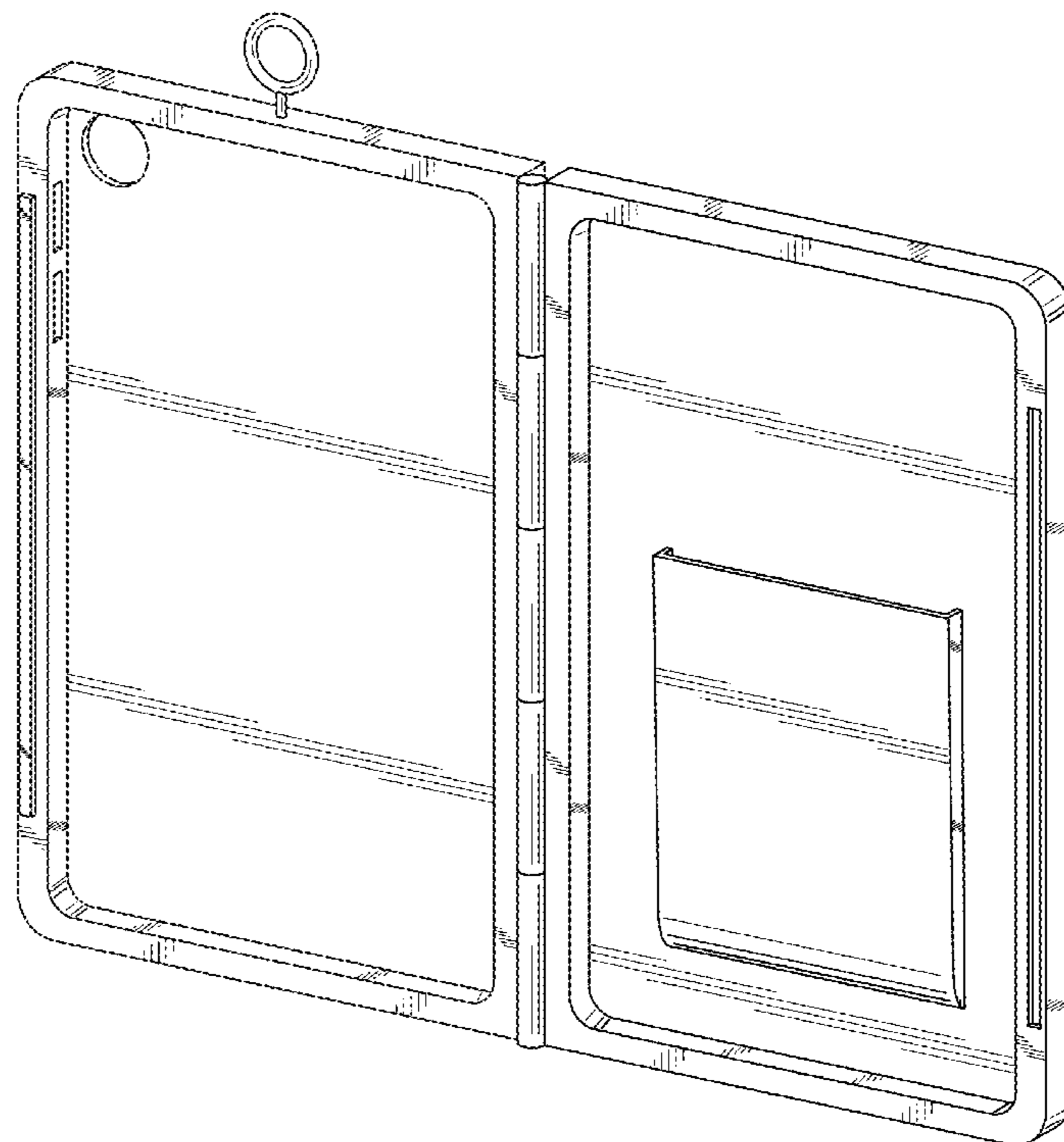
(57) **CLAIM**

The ornamental design for a portable case for a mobile telephone, as shown and described.

**DESCRIPTION**

FIG. 1 is a front perspective view of a portable case for a mobile telephone in an open configuration, showing my new design;  
FIG. 2 is a rear perspective view of a portable case for a mobile telephone in an open configuration;  
FIG. 3 is a front view thereof;  
FIG. 4 is a rear view thereof;  
FIG. 5 is a right side view thereof;  
FIG. 6 is a left side view thereof;  
FIG. 7 is a top view thereof; and,  
FIG. 8 is a bottom view thereof.

**1 Claim, 7 Drawing Sheets**



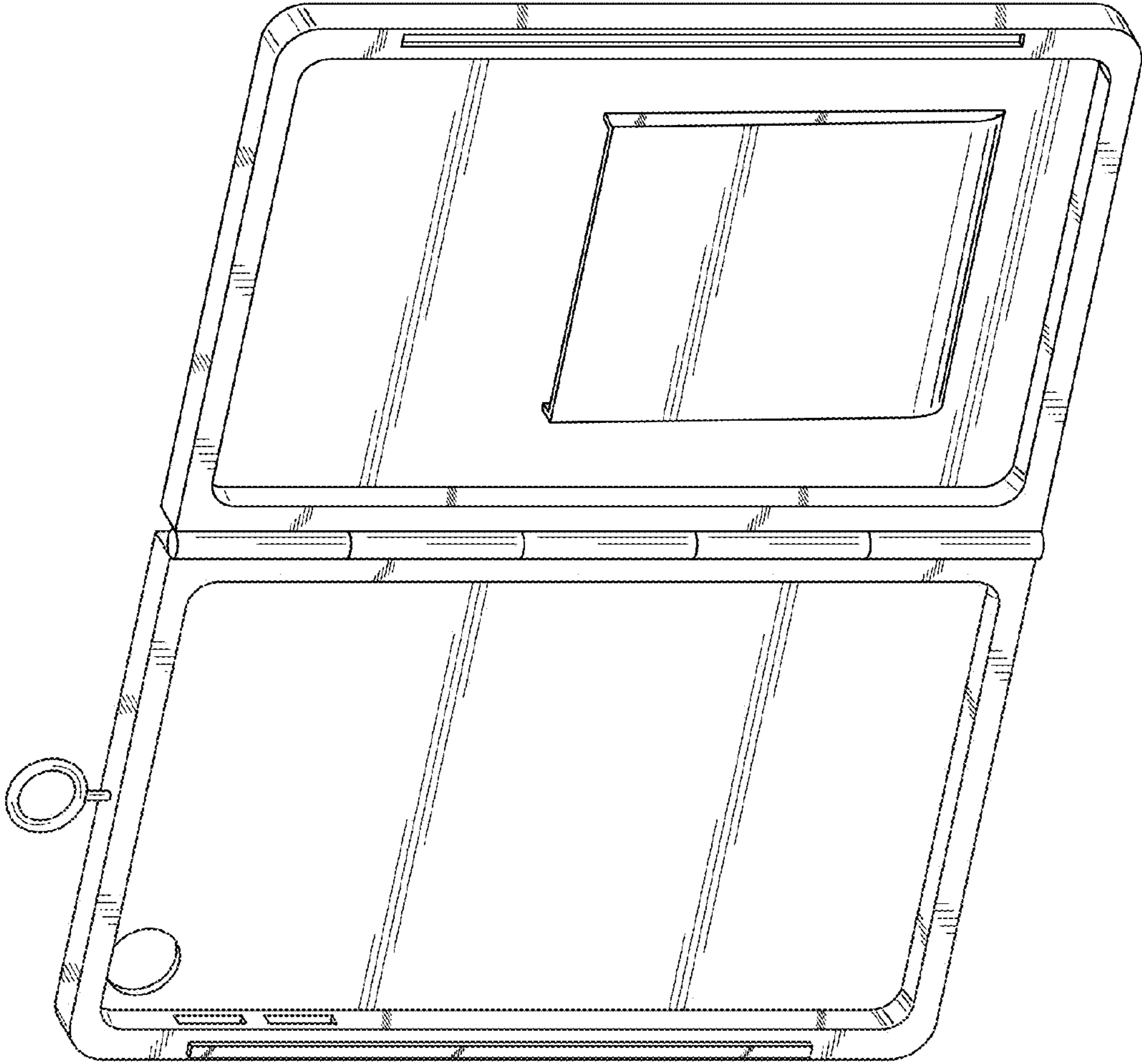


Fig. 1

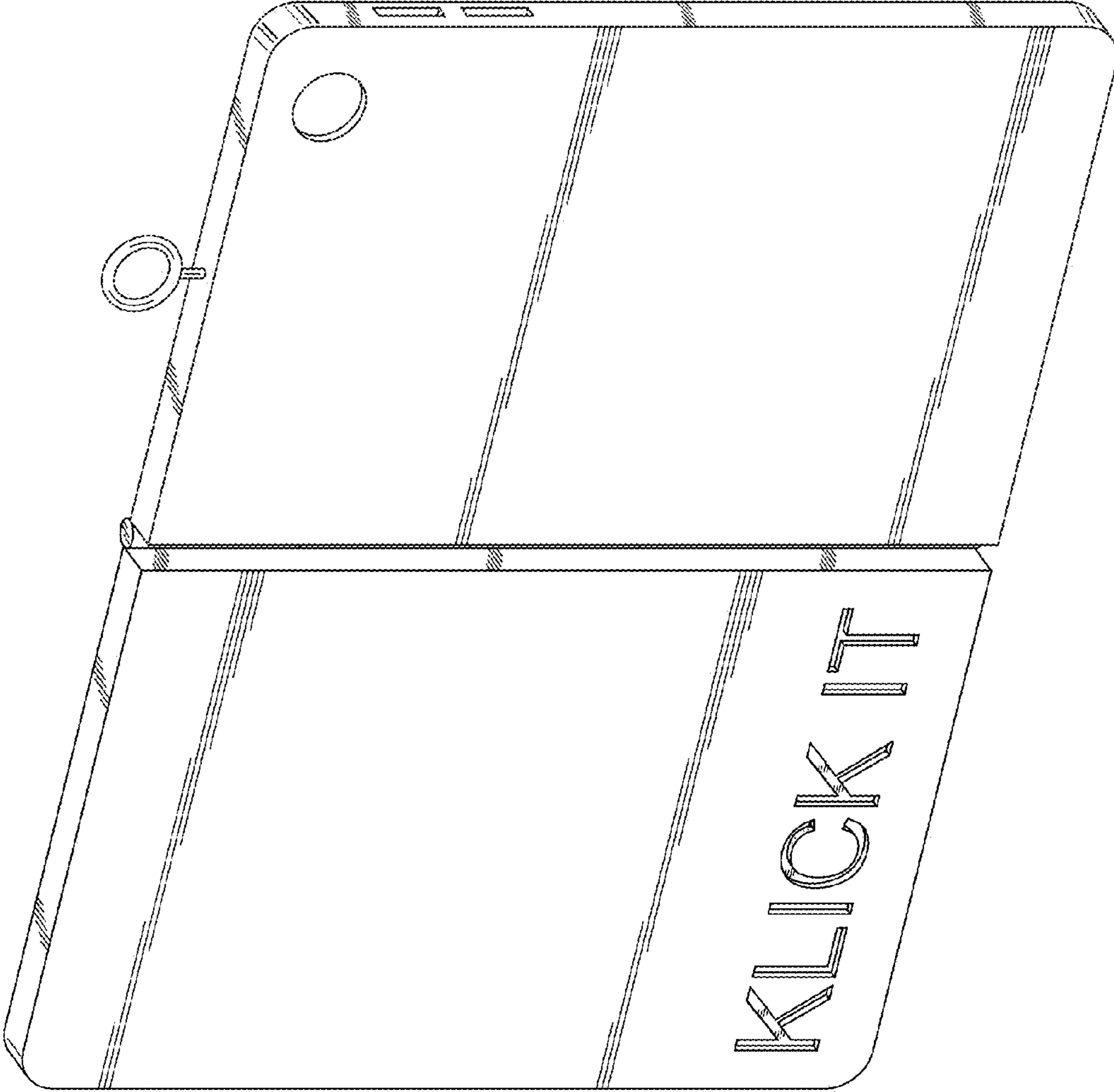


Fig. 2

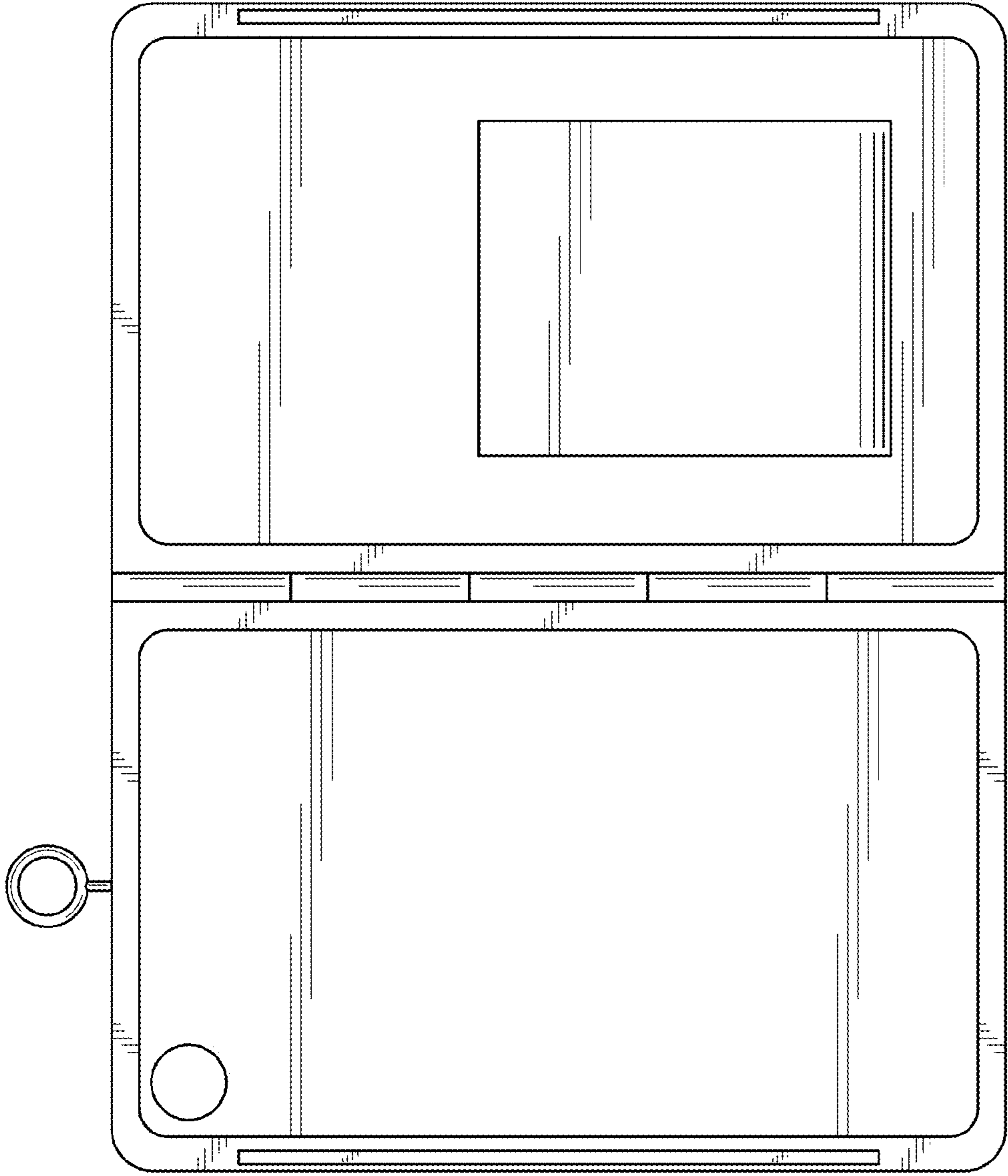


Fig. 3

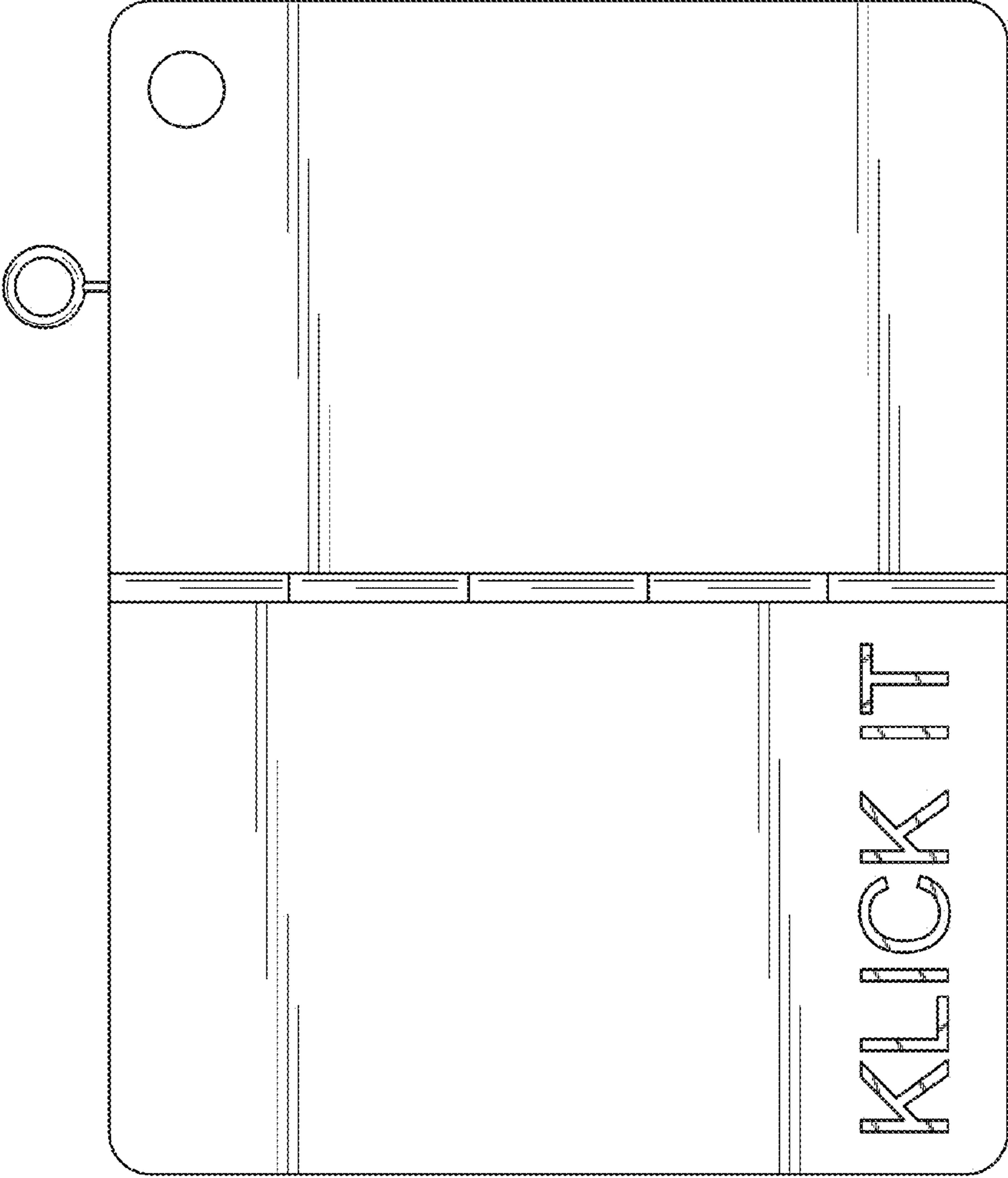


Fig. 4

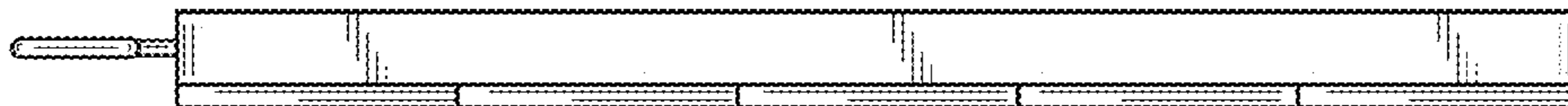


Fig. 6

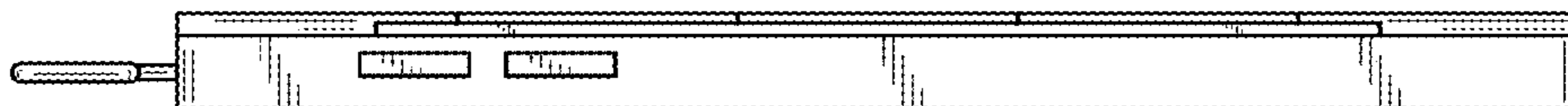


Fig. 5

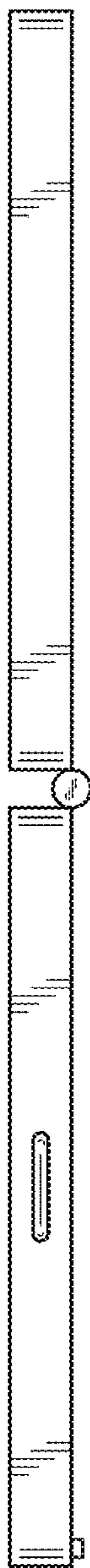


Fig. 7



Fig. 8