



US00D705533S

(12) **United States Design Patent**
Tunney

(10) **Patent No.:** **US D705,533 S**
(45) **Date of Patent:** **** May 27, 2014**

(54) **POCKET KEY ORGANIZER**

(71) Applicant: **KeySmart, LLC**, Chicago, IL (US)

(72) Inventor: **Michael Tunney**, Chicago, IL (US)

(73) Assignee: **Keysmart, LLC**, Chicago, IL (US)

(**) Term: **14 Years**

(21) Appl. No.: **29/458,514**

(22) Filed: **Jun. 20, 2013**

(51) **LOC (10) Cl.** **03-01**

(52) **U.S. Cl.**

USPC **D3/207**

(58) **Field of Classification Search**

CPC A44B 9/12

USPC D11/1-2, 14, 26-29, 89-92, 44, 48, 81,

D11/99; 63/26-28, 32; D3/207-212; D8/16,

D8/38, 347, 348; 70/456 B, 457, 458, 408;

206/37.1; D21/576, 593, 594, 606,

D21/609, 610, 611, 659, 660

See application file for complete search history.

(56) **References Cited**

U.S. PATENT DOCUMENTS

D3,942 S 3/1870 Elwell
1,885,957 A 8/1929 Singleton
1,974,160 A * 9/1934 Peirson 70/458

(Continued)

FOREIGN PATENT DOCUMENTS

GB 856223 12/1960

OTHER PUBLICATIONS

Gordon, Whitson, Folding Key Chain, instructables.com (Aug. 8, 2011).

(Continued)

Primary Examiner — Ralf Seifert

(74) *Attorney, Agent, or Firm* — Walter, Palmer & Dawson, LLC; Philip A. Prorok

(57) **CLAIM**

I claim the ornamental design for a pocket key organizer, substantially as shown and described.

DESCRIPTION

FIG. 1 is a front perspective view showing the pocket key organizer;

FIG. 2 is a front view of the pocket key organizer;

FIG. 3 is a rear view of the pocket key organizer;

FIG. 4 is a top view of the pocket key organizer;

FIG. 5 is a bottom view of the pocket key organizer;

FIG. 6 is a right side view of the pocket key organizer;

FIG. 7 is a left side view of the pocket key organizer;

FIG. 8 is a front perspective view of the pocket key organizer;

FIG. 9 is a right side view of the pocket key organizer;

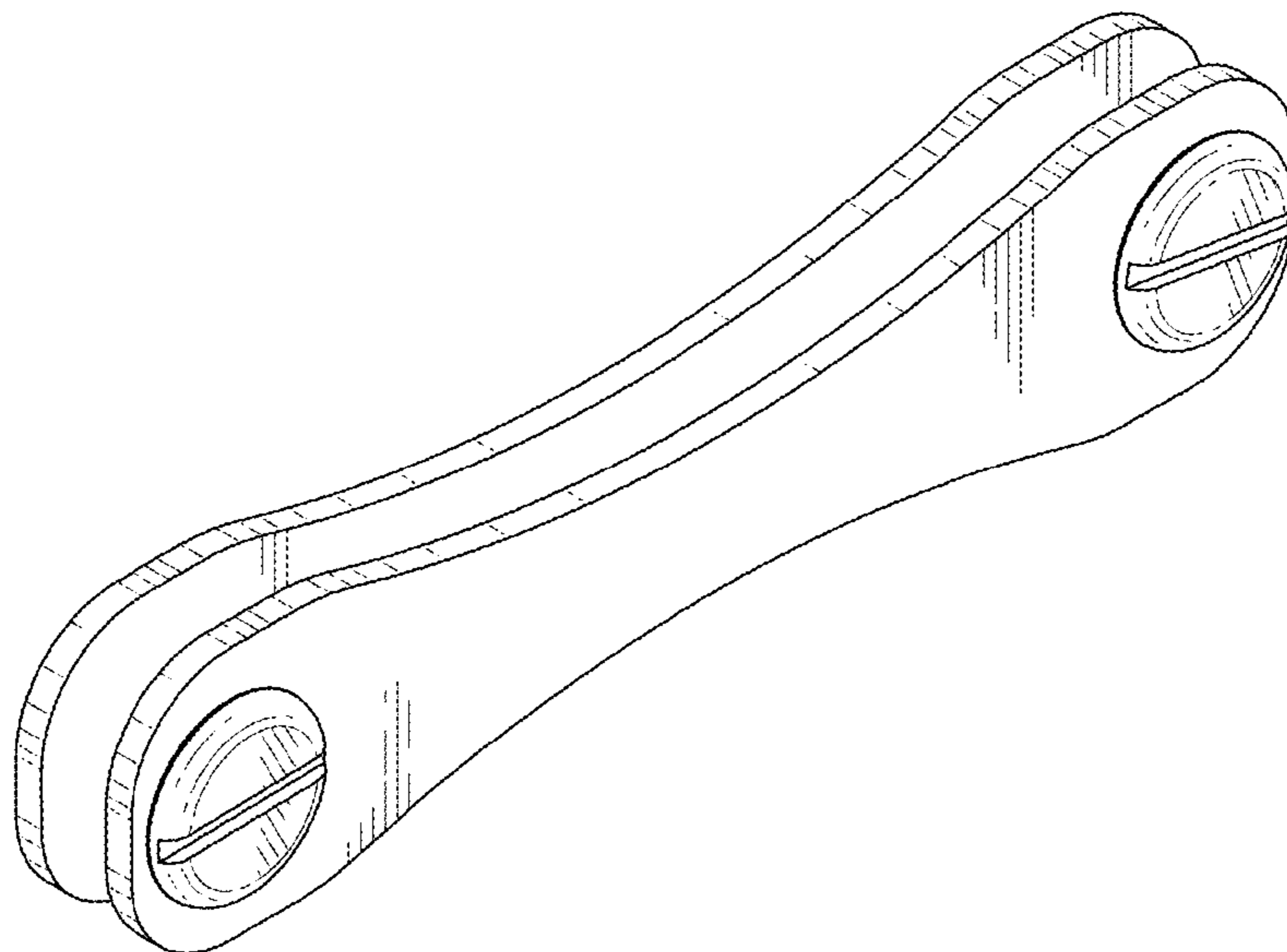
FIG. 10 is a front perspective view of the pocket key organizer; and,

FIG. 11 is a right side view of the pocket key organizer.

The features shown in broken lines in FIGS. 8, 9, 10, and 11 of the drawings are for illustrating the environmental structure and form no part of the claimed design.

The posts shown in FIGS. 2, 3, 4, and 5 of the drawings are shown broken away to indicate indeterminate length, it being understood that the posts have a uniform shape and appearance throughout their length.

1 Claim, 6 Drawing Sheets



(56)

References Cited

U.S. PATENT DOCUMENTS

2,344,581 A 3/1944 Ziegeweid
 2,387,319 A 10/1945 Evans
 D156,677 S 12/1949 Smith
 2,493,330 A * 1/1950 Zimmerman 70/456 R
 2,549,228 A * 4/1951 Ostrander 70/458
 2,659,231 A 11/1953 Glubiak
 2,790,319 A 4/1957 Brunner
 3,321,943 A 5/1967 Reyes
 3,355,917 A 12/1967 Albert
 3,436,942 A * 4/1969 Procter 70/456 R
 3,455,131 A 7/1969 Shofner
 3,606,777 A 9/1971 Watson
 4,045,984 A * 9/1977 McDonald 70/456 R
 4,646,913 A * 3/1987 Wing et al. 206/37.2
 D332,384 S 1/1993 Dague
 D334,528 S 4/1993 Franklin
 5,199,560 A 4/1993 Lee
 D356,019 S 3/1995 Sakai
 D357,166 S 4/1995 Concari
 D382,190 S 8/1997 Blakston et al.
 5,791,211 A 8/1998 Bondhus et al.
 D404,284 S 1/1999 Sacco et al.
 D405,675 S 2/1999 Rivera
 D434,302 S 11/2000 Van Den Acker
 D442,060 S 5/2001 Neset
 D442,061 S 5/2001 Harris et al.
 6,892,558 B2 5/2005 Chodosh
 7,127,922 B2 10/2006 Khounsombath et al.
 7,481,137 B1 1/2009 Johnson

D624,305 S 9/2010 Downes
 D674,590 S 1/2013 Busch
 D693,202 S * 11/2013 Berman D8/105
 2001/0012754 A1 8/2001 Anderson et al.
 2005/0103070 A1 5/2005 Meyerson et al.
 2006/0000250 A1 1/2006 Folger

OTHER PUBLICATIONS

Ethanf, "Do you hate your keys jingling? (Bicycle Content)," EDCForums (Sep. 12, 2012).
 Bladekey, LLC, "Bolt-Open Source Pocket Key Organizer," Kickstarter.com (Mar. 11, 2013).
 Ableware, "Four Key Holder," SeniorEmporium.com (2000).
 Doherty, William, "Swiss army style pocket key organizer," Etsy.com (May 6, 2013).
 Key Inventions, LLC, "Key Organizer," www.key-inventions.com/index.htmls (May 20, 2012).
 Anonymous, "Novel Key Holder," Popular Mechanics at p. 161 (Jan. 1923).
 Crew, "My new custom 'multi-key', made from a Gerber Curve!," EDCForums (Dec. 1, 2010).
 Legoman0721, "Keychain Pics, Part 1," EDCForums (Nov. 24, 2010).
 Anonymous, "Switchkey," switchkey.ca (2007, accessed Jun. 20, 2013).
 Cineik, "K-Addict," Kickstarter.com (Jun. 11, 2013).
 Reconscious, "Friendly Folding Keychain," instructables.com (Jun. 28, 2009).

* cited by examiner

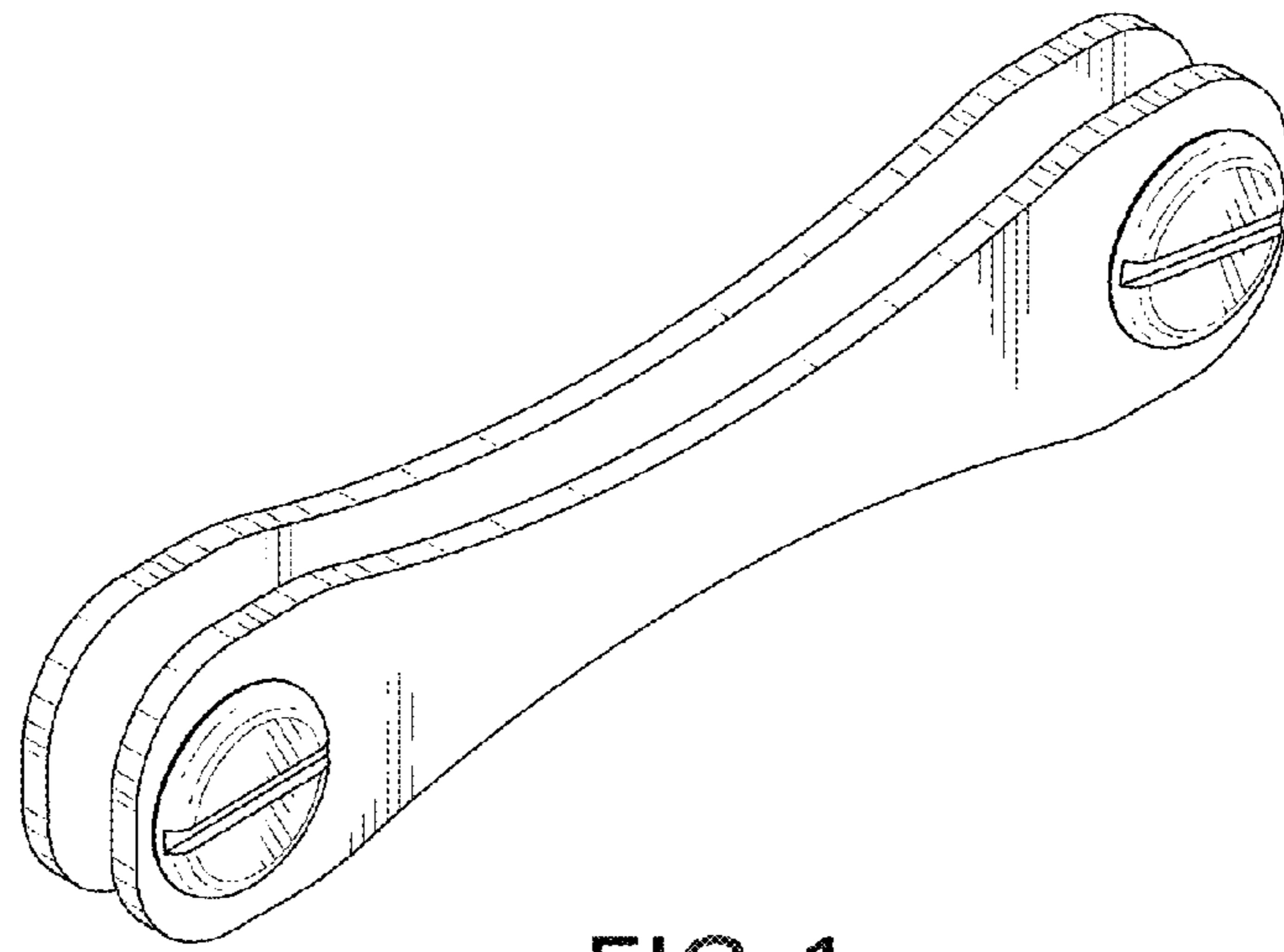


FIG. 1

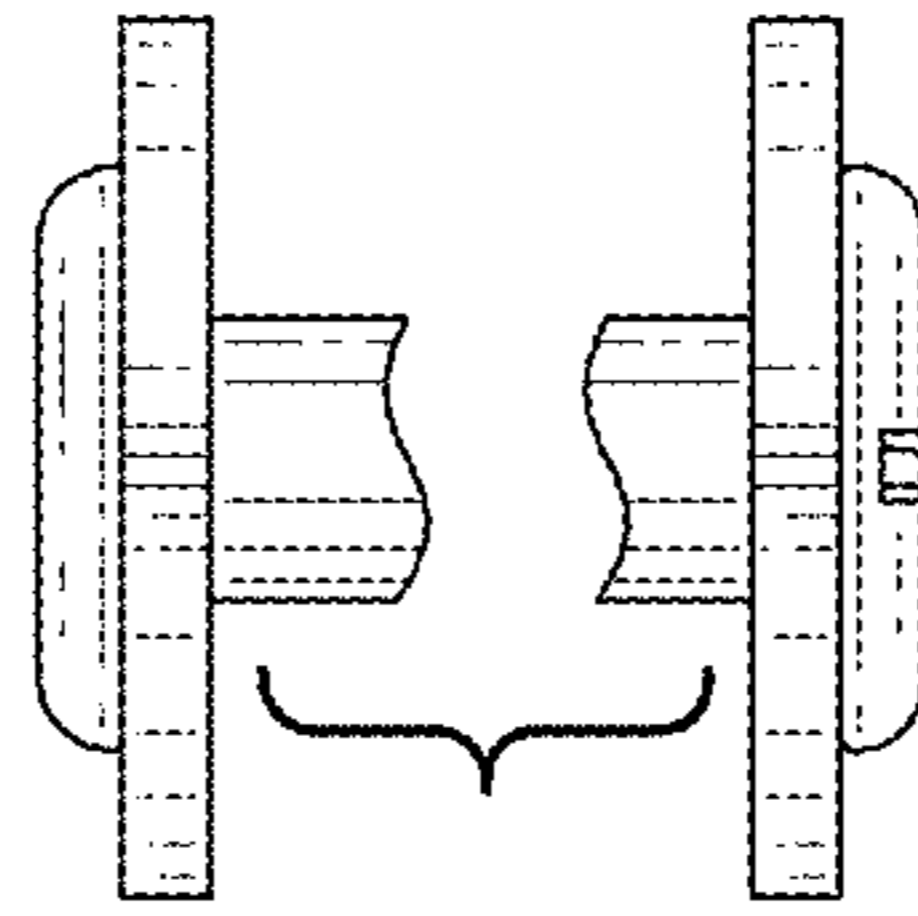


FIG. 2

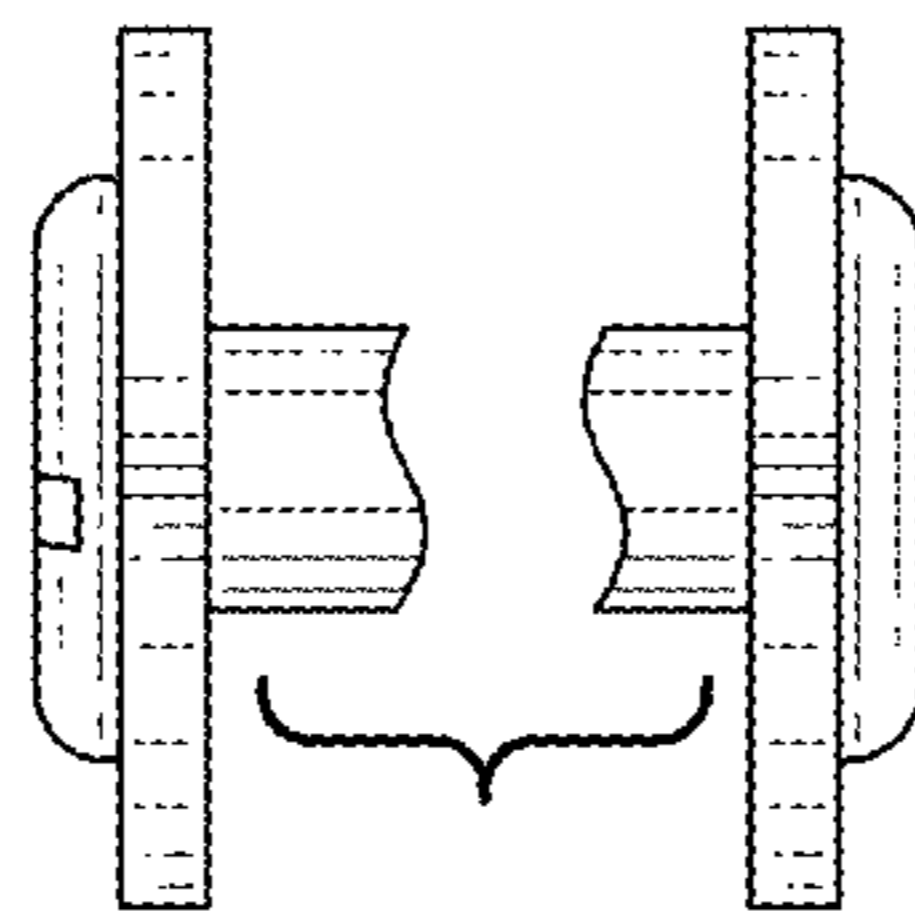


FIG. 3

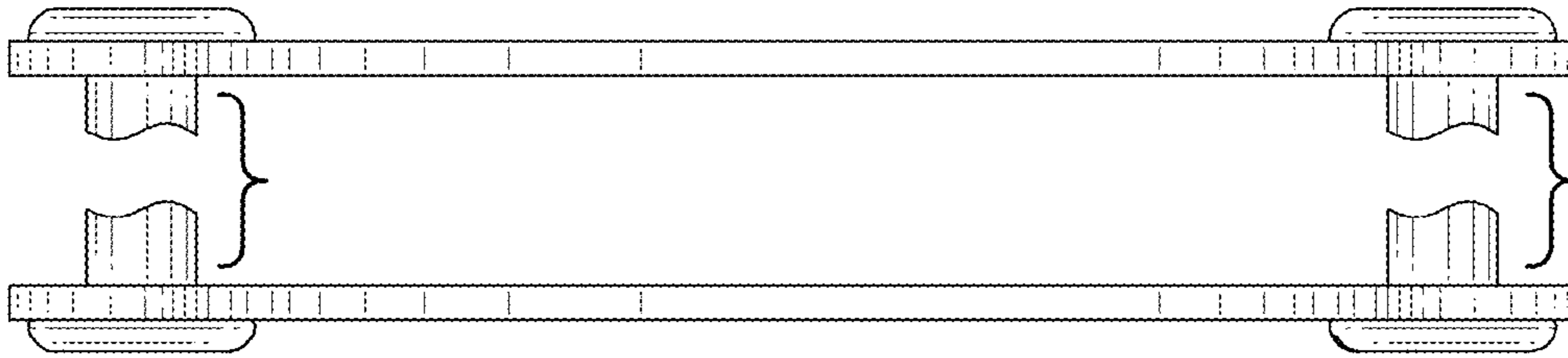


FIG. 4

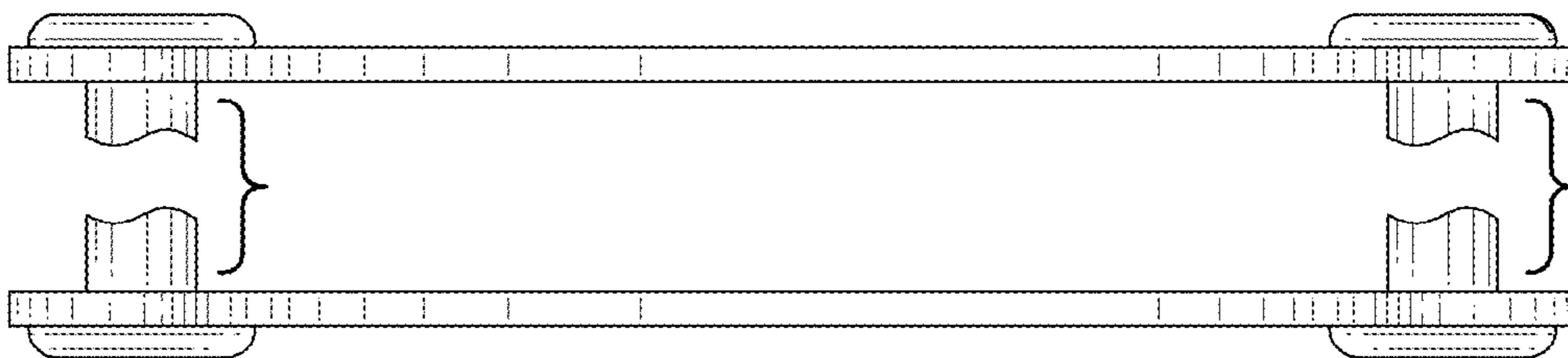


FIG. 5

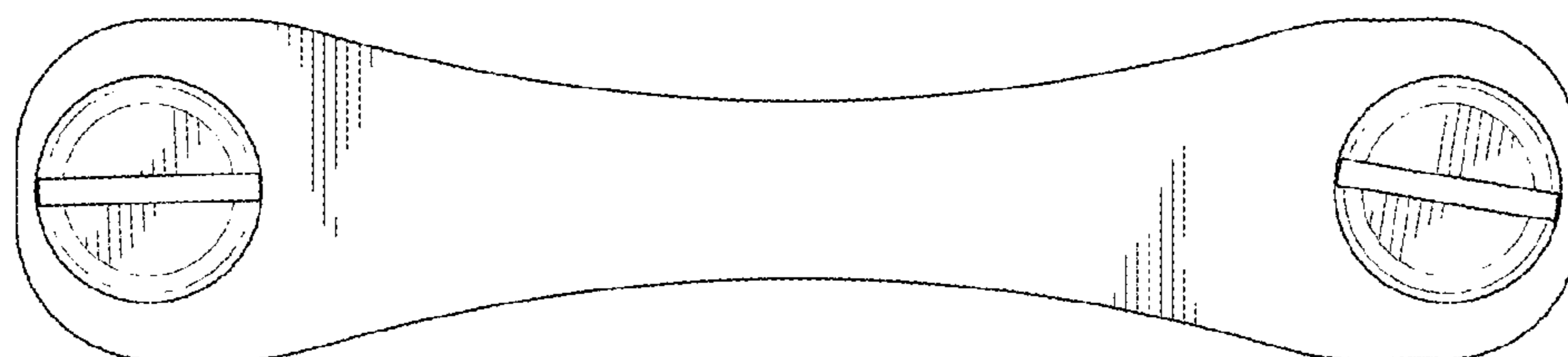


FIG. 6

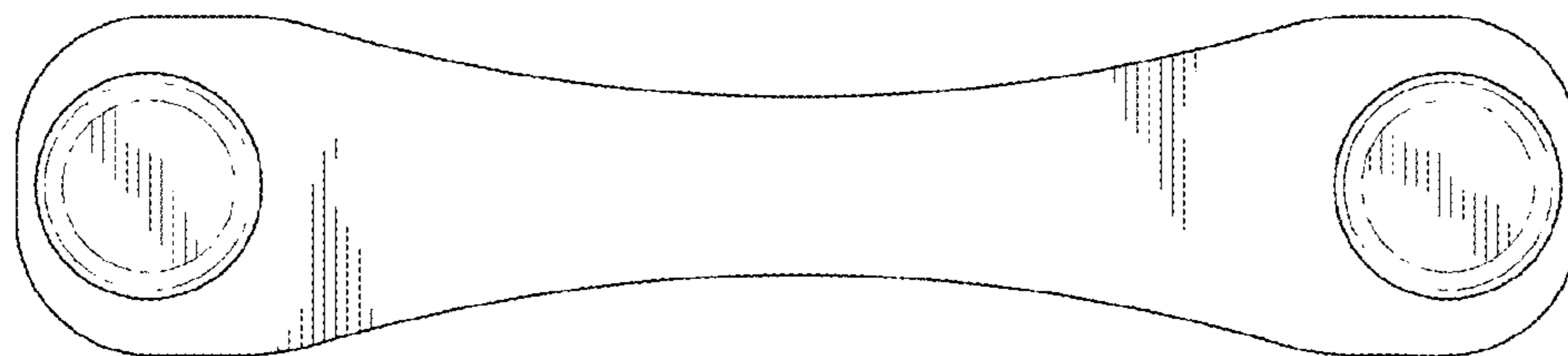


FIG. 7

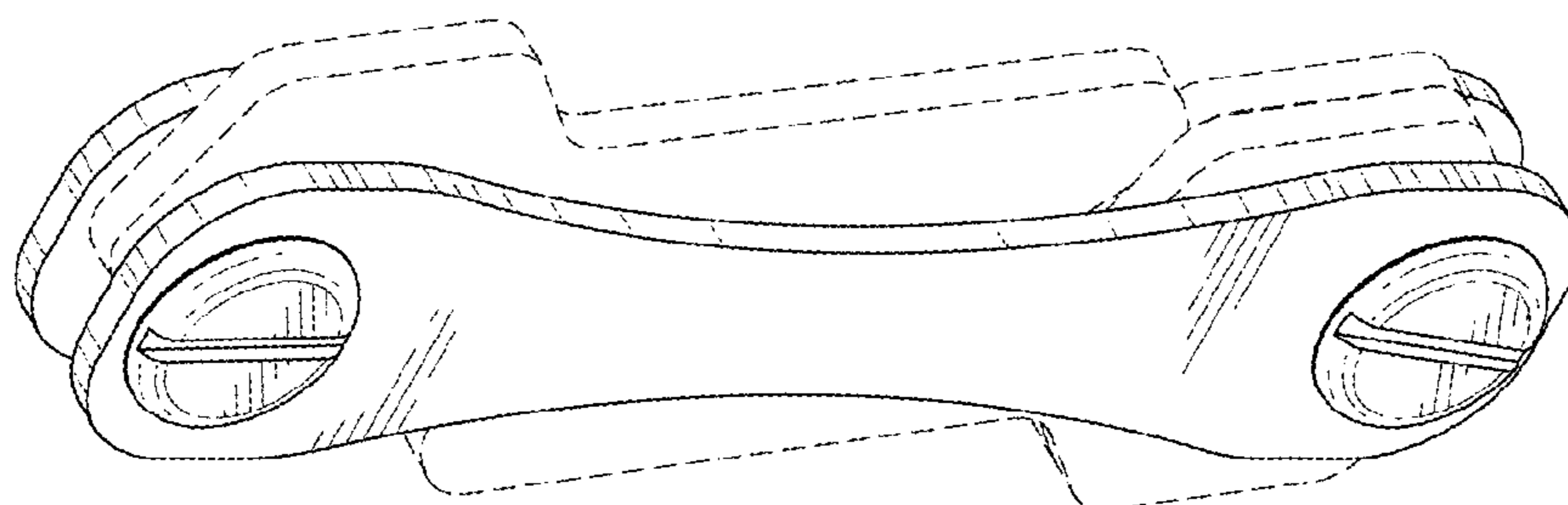


FIG. 8

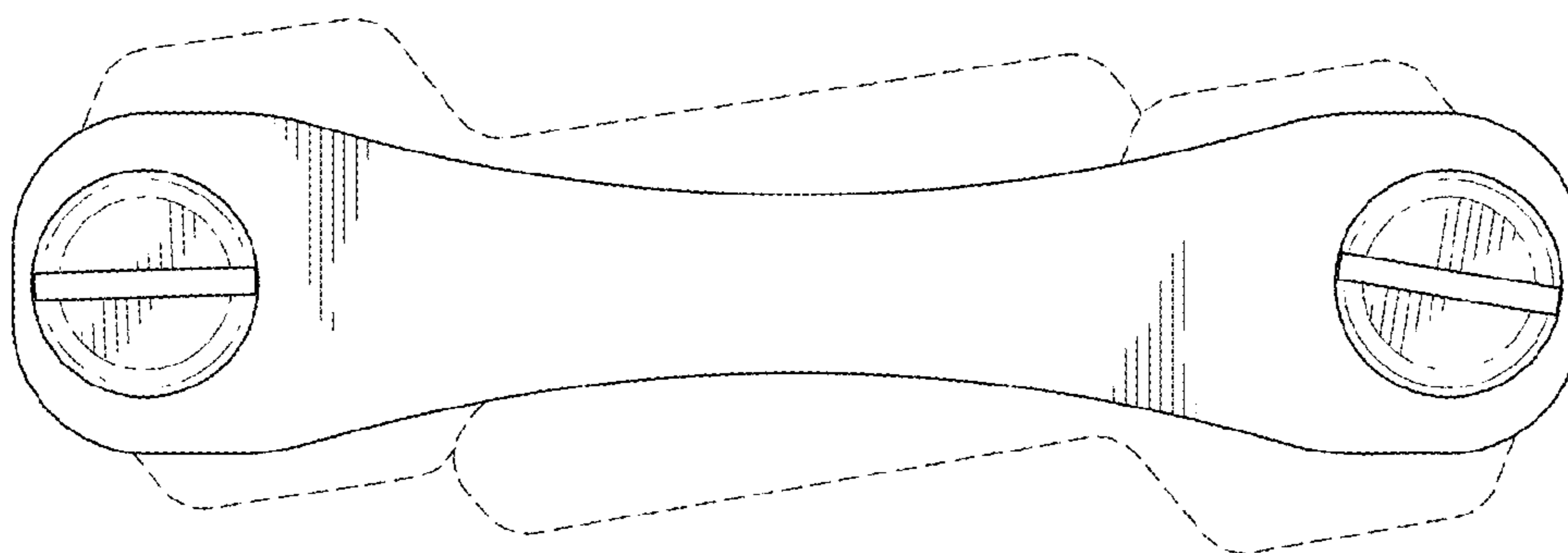


FIG. 9

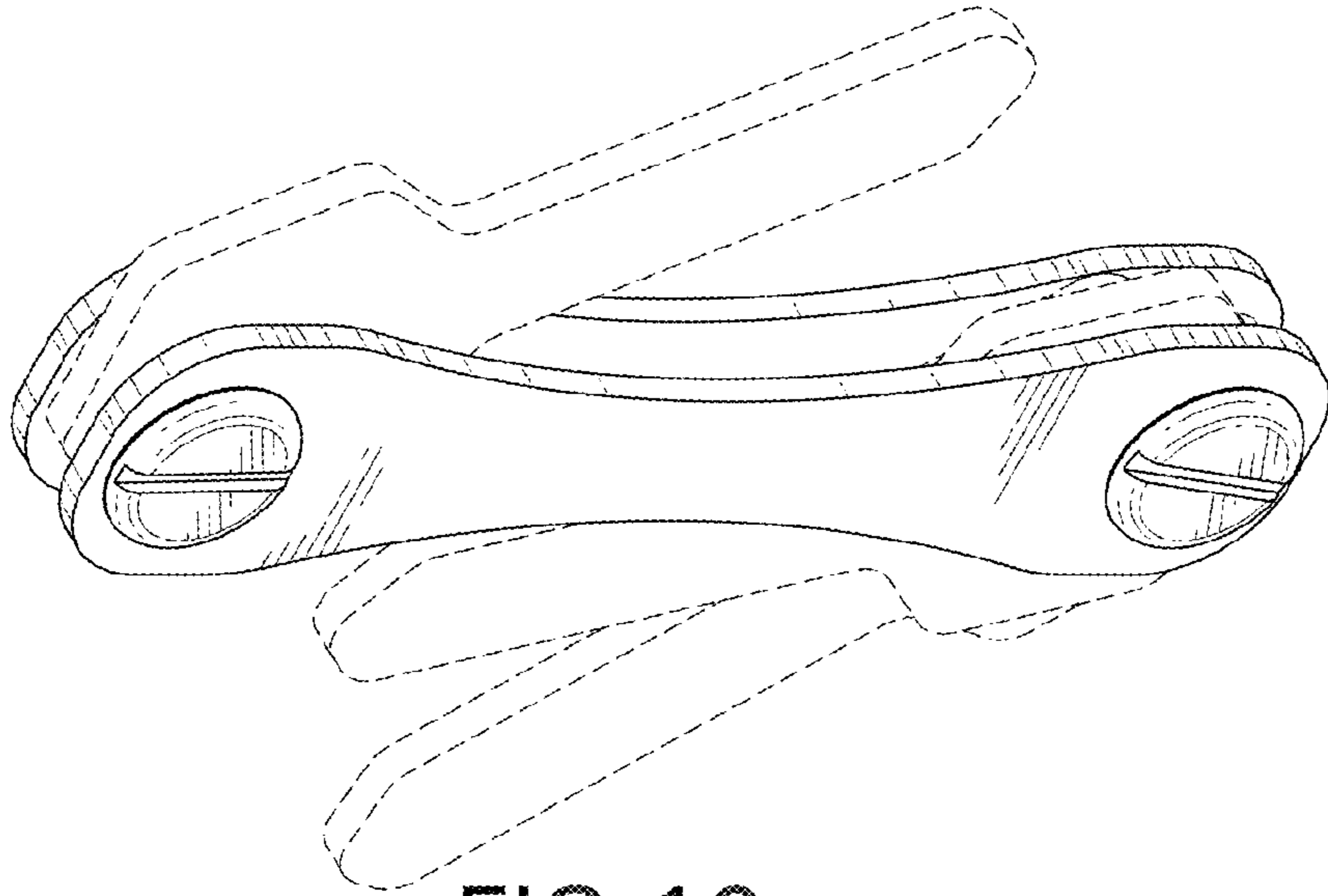


FIG. 10

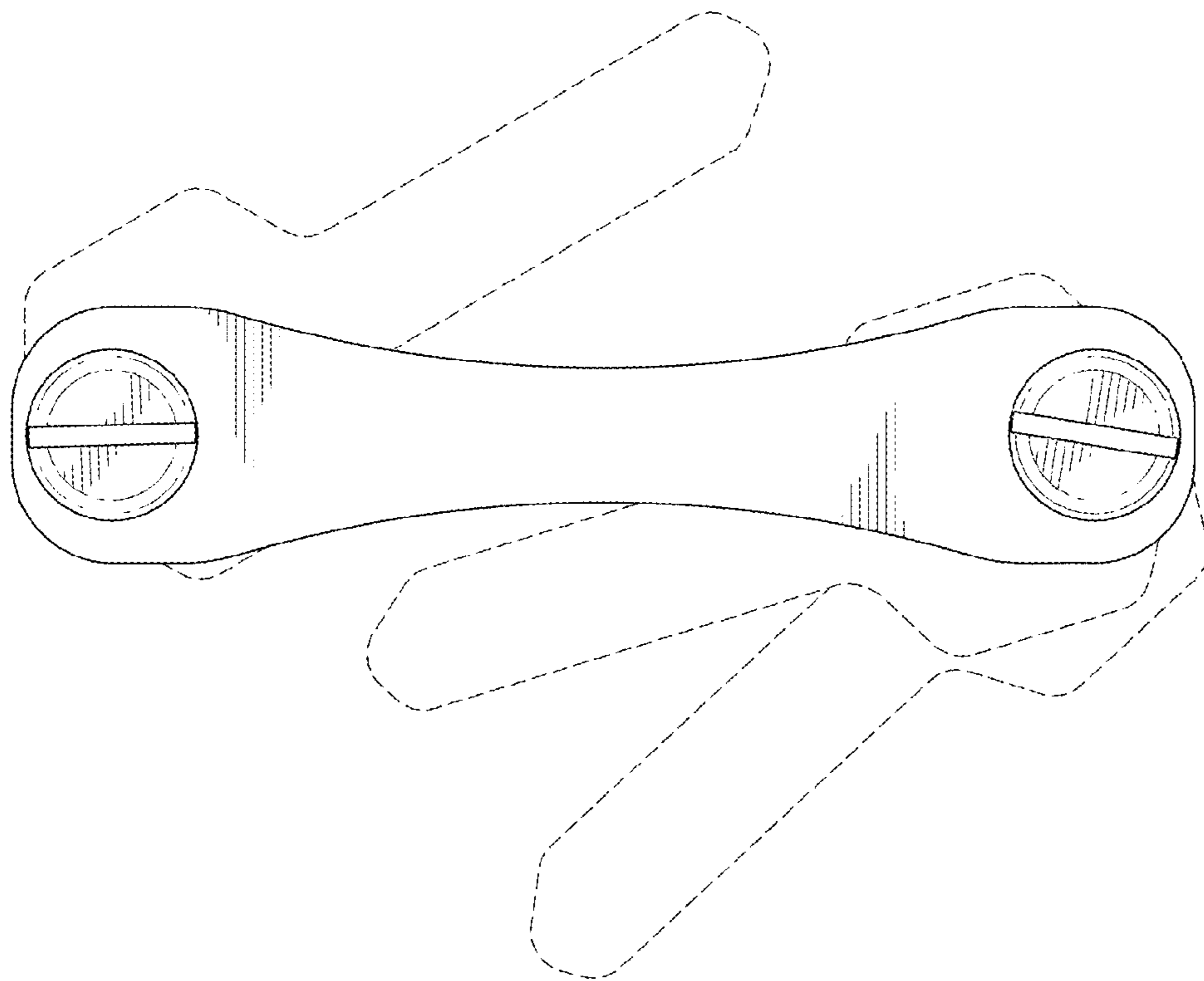


FIG. 11