



US00D705531S

(12) **United States Design Patent**
Johnson

(10) **Patent No.:** **US D705,531 S**

(45) **Date of Patent:** **** May 27, 2014**

(54) **COMBINED TRAY FOR FOOD AND A PERSONAL ELECTRONIC DEVICE**

(76) Inventor: **James M. Johnson**, Little Rock, AR (US)

(**) Term: **14 Years**

(21) Appl. No.: **29/426,468**

(22) Filed: **Jul. 6, 2012**

(51) **LOC (10) Cl.** **03-01**

(52) **U.S. Cl.**
USPC **D3/201**

(58) **Field of Classification Search**
CPC B65D 71/72; B65D 5/5021; B65D 2571/00925; A45C 11/00; A61L 9/12
USPC D3/7, 10, 201, 215, 218, 273, 276, 280, D3/283–293, 299, 300, 301, 302, 303; D7/99, 213, 513, 550.1, 553.1; 206/320; D14/250, 251, 253, 240, 217, D14/440, 496, 203.3, 203.4, 203.5, 203.8, D14/432, 439, 300; 150/106–108, 110–112; 361/679.56; 379/426, 446; 455/575.8; 248/181.1; 292/342, 343
See application file for complete search history.

(56) **References Cited**

U.S. PATENT DOCUMENTS

1,677,276 A * 7/1928 Deicken 312/236
D159,454 S * 7/1950 Waltman D7/553.1
D276,116 S * 10/1984 Basil D7/541
D280,059 S * 8/1985 Otto D7/538
D372,829 S * 8/1996 Sircy D6/601
D424,812 S * 5/2000 Kacius D6/300
8,165,624 B2 * 4/2012 Tseng 455/550.1

D694,246 S * 11/2013 Park et al. D14/440
2002/0012760 A1 * 1/2002 Barry et al. 428/35.7
2006/0042989 A1 * 3/2006 Suter 206/562
2012/0087100 A1 * 4/2012 Ku 361/807
2012/0175396 A1 * 7/2012 Patino 224/627

* cited by examiner

Primary Examiner — Thomas Johannes

Assistant Examiner — Holly E Thurman

(74) *Attorney, Agent, or Firm* — QuickPatents; Kevin Prince

(57) **CLAIM**

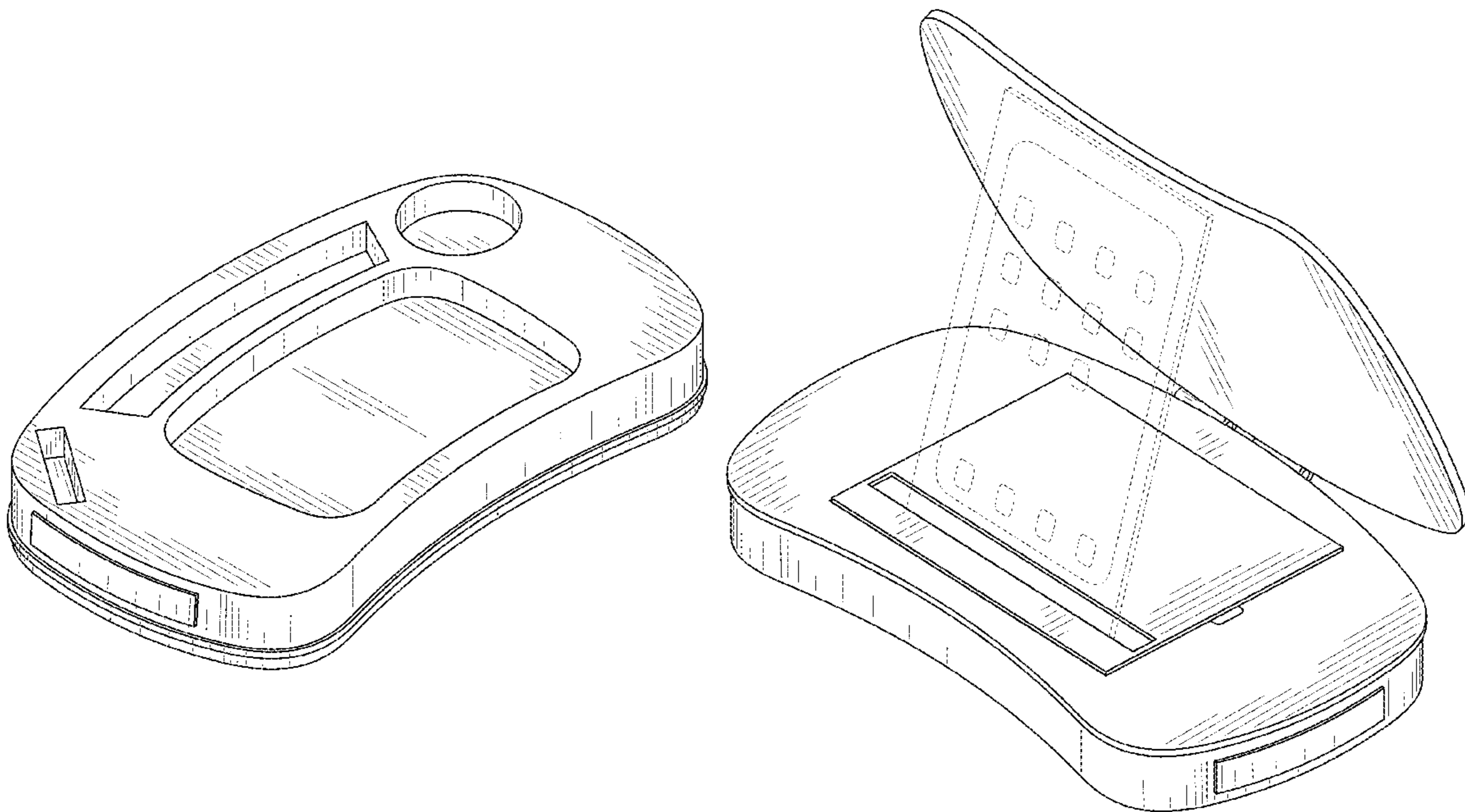
I claim the ornamental design for a combined tray for food and a personal electronic device, as shown and described.

DESCRIPTION

FIG. 1 is a top perspective view of a combined tray for food and a personal electronic device, showing my new design with an outer cover in a closed configuration;
FIG. 2 is a bottom perspective view thereof;
FIG. 3 is a top perspective view thereof, illustrated with the outer cover in an open position and an inner cover in a closed position;
FIG. 4 is a top perspective view thereof, illustrate with the outer cover in the open position and the internal cover in an open position;
FIG. 5 is a top plan view thereof;
FIG. 6 is a bottom plan view thereof;
FIG. 7 is a left-side elevation view thereof;
FIG. 8 is a right-side elevation view thereof;
FIG. 9 is a rear elevation view thereof; and,
FIG. 10 is a front elevation view thereof.

The broken lines showing a personal electronic device in FIGS. 3 and 4 depict unclaimed environmental matter and form no part of the claimed design.

1 Claim, 6 Drawing Sheets



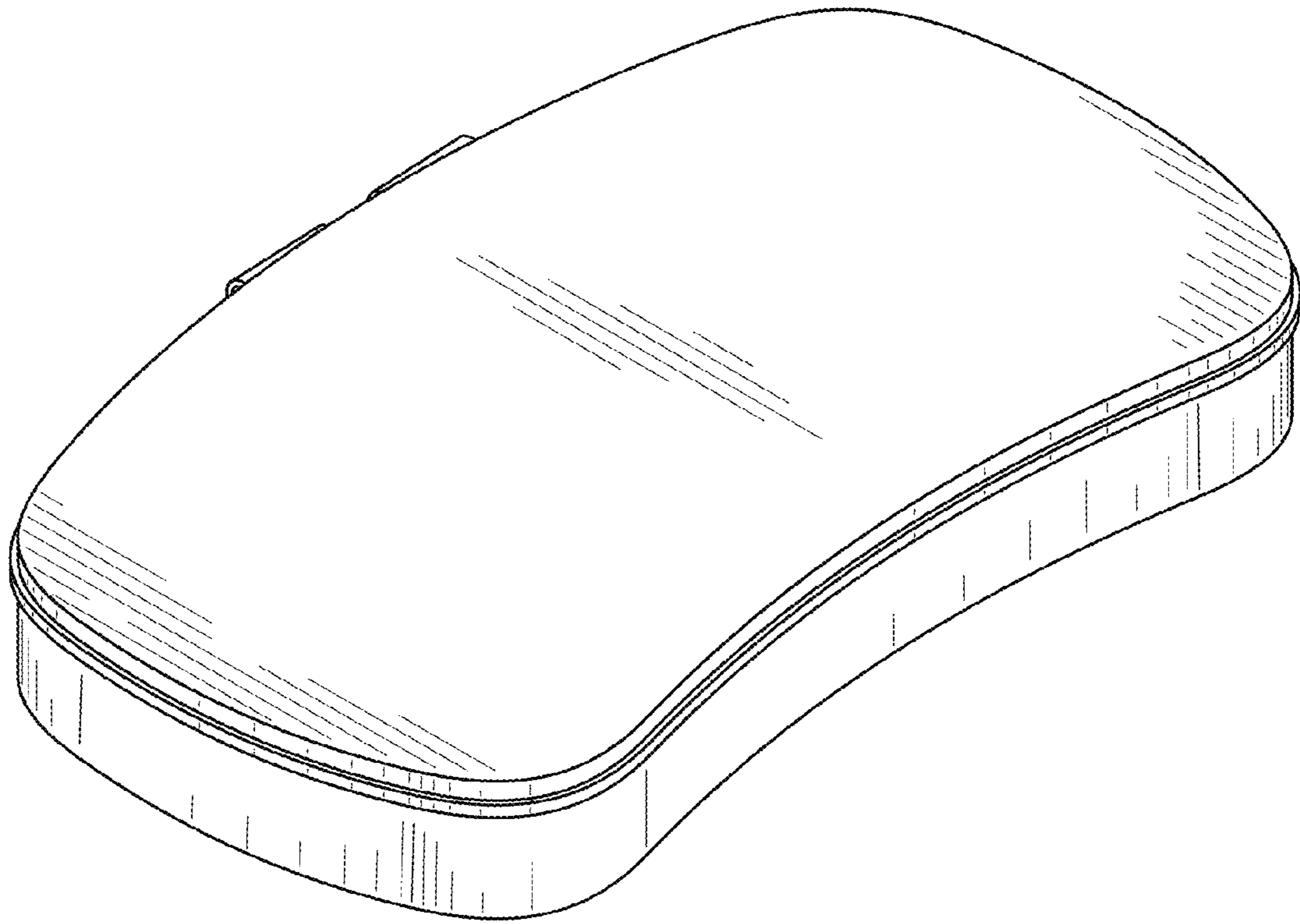


FIG. 1

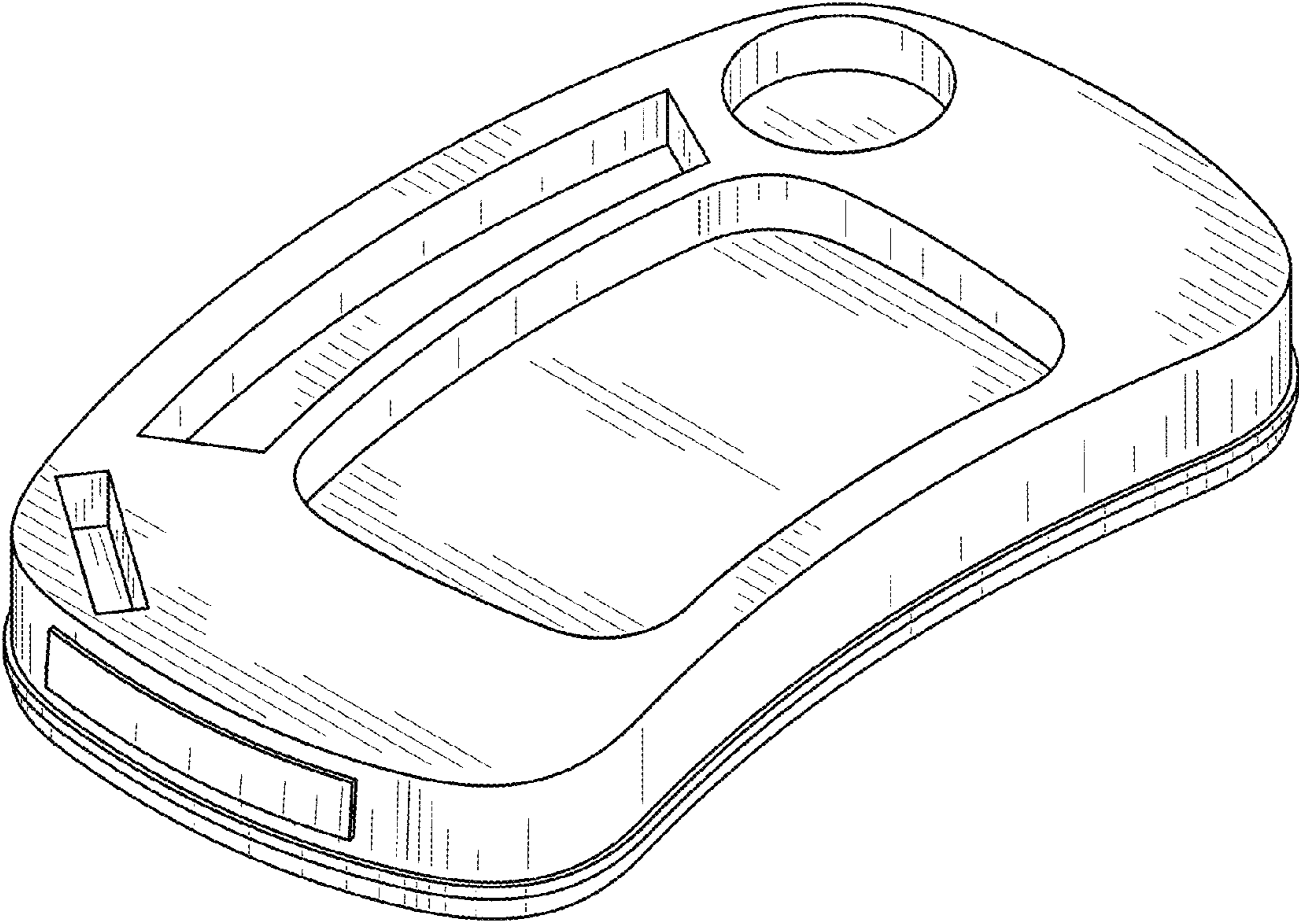


FIG. 2

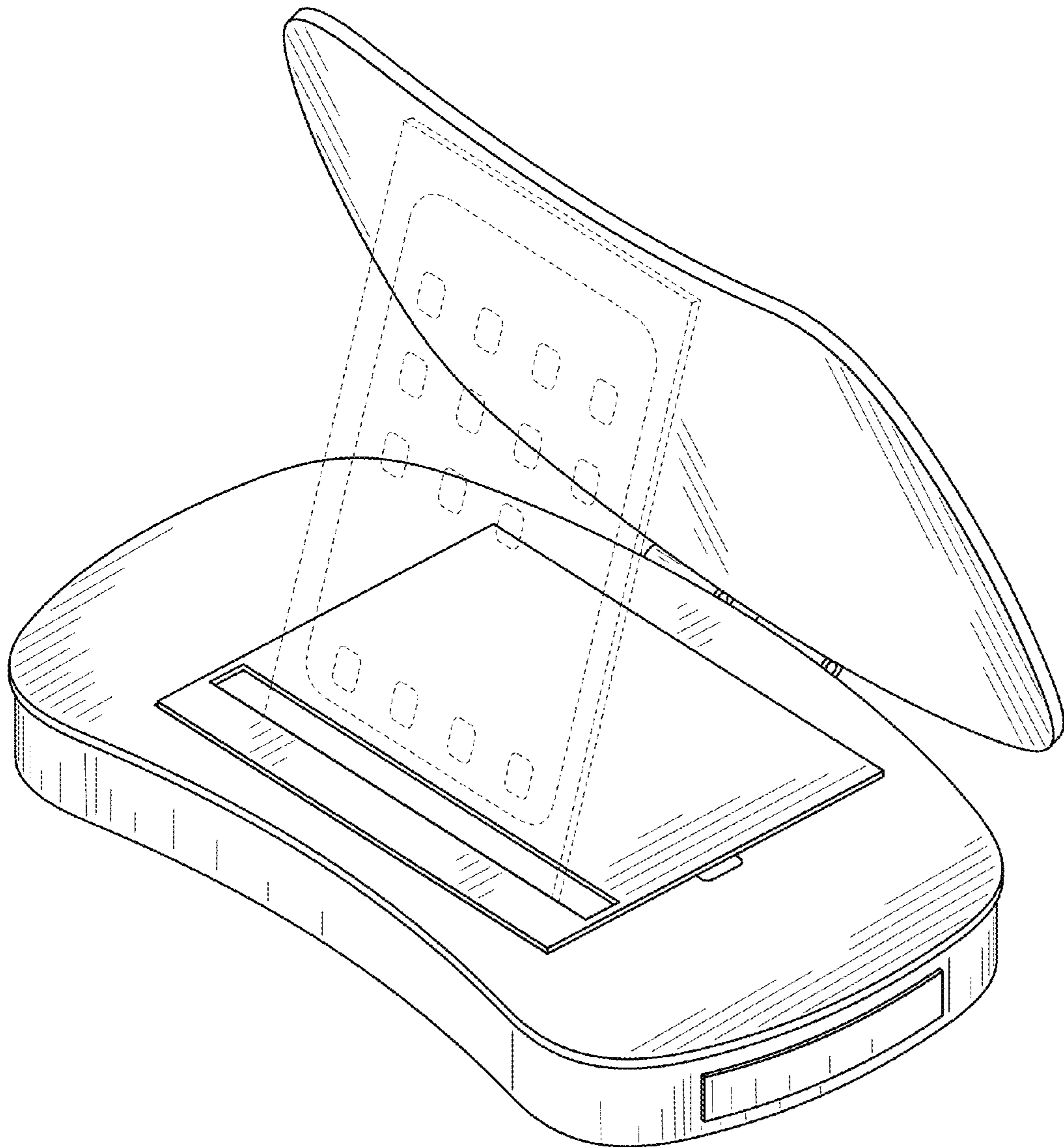


FIG. 3

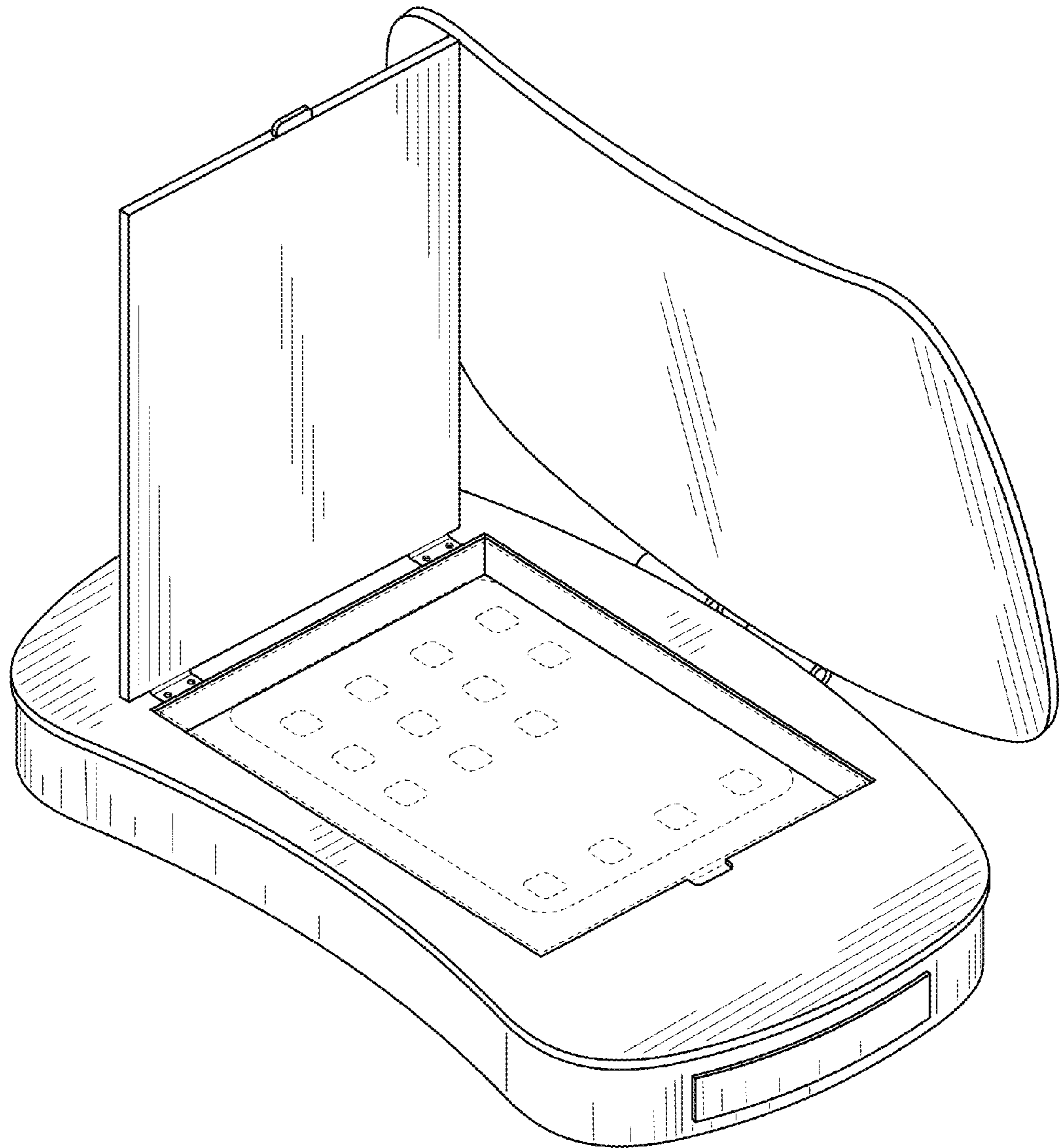


FIG. 4

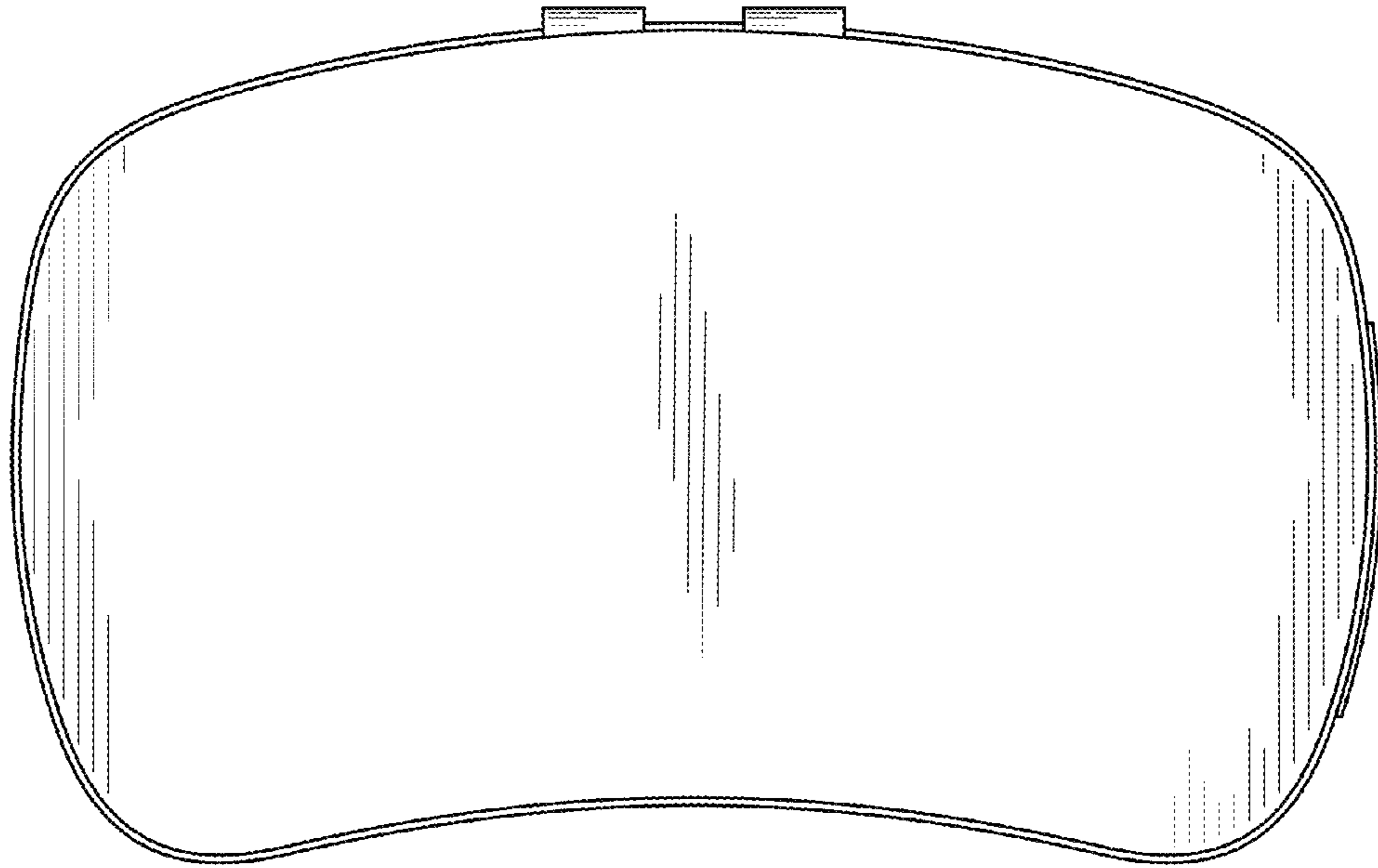


FIG. 5

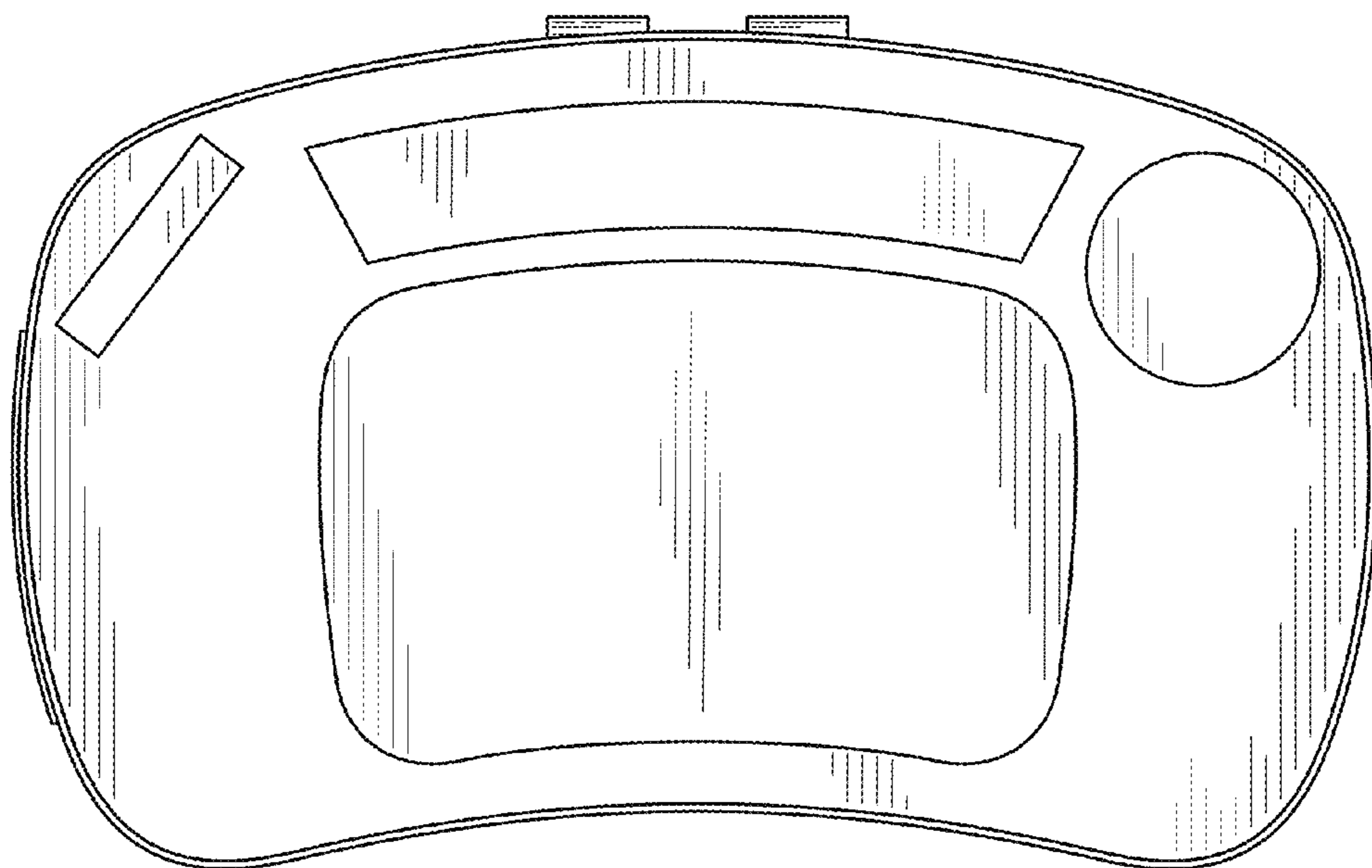


FIG. 6

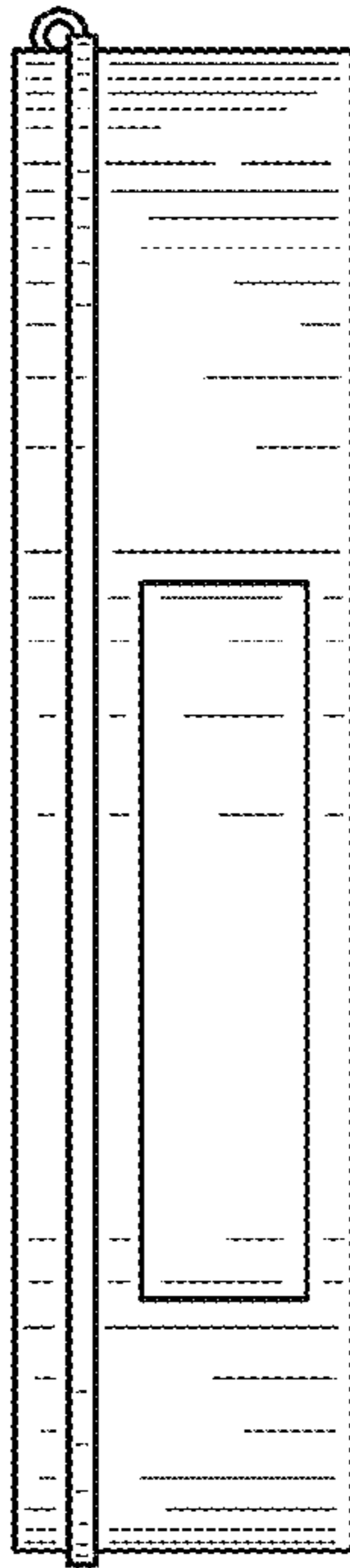


FIG. 7

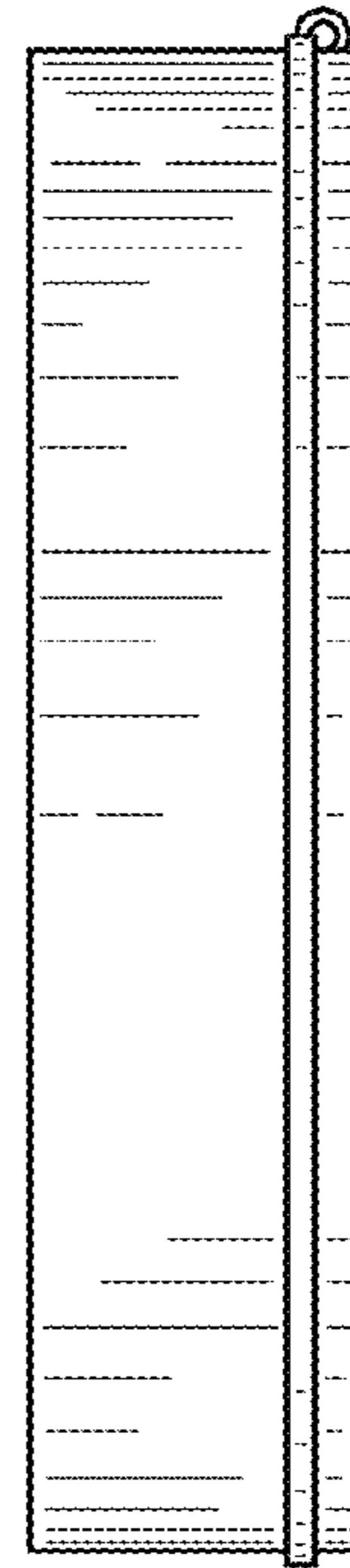


FIG. 8

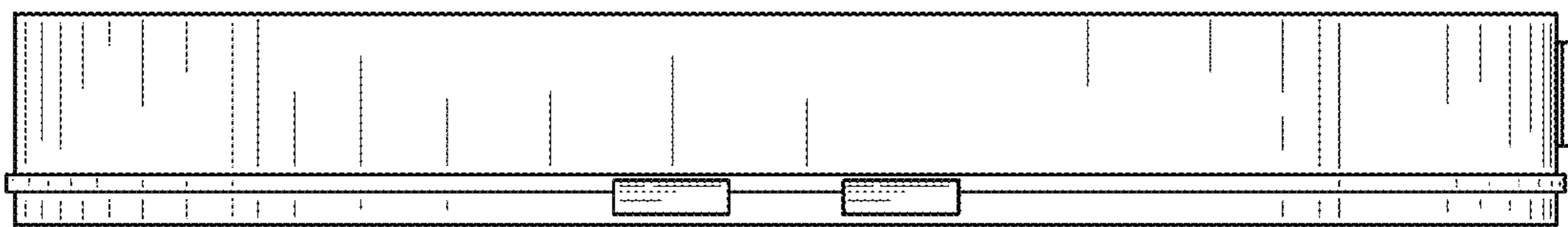


FIG. 9

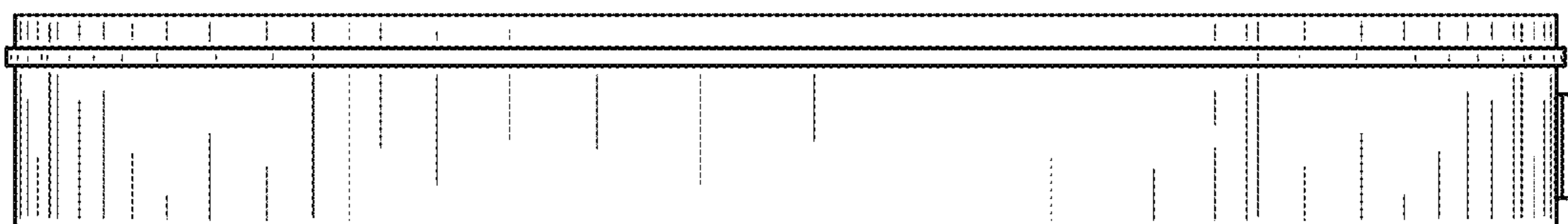


FIG. 10