



US00D705529S

(12) **United States Design Patent**
Ng

(10) **Patent No.:** **US D705,529 S**

(45) **Date of Patent:** **** May 27, 2014**

(54) **FOOTWEAR UPPER**

(71) Applicant: **Deckers Outdoor Corporation**, Goleta,
CA (US)

(72) Inventor: **Natalie Ng**, Goleta, CA (US)

(73) Assignee: **Deckers Outdoor Corporation**, Goleta,
CA (US)

(**) Term: **14 Years**

(21) Appl. No.: **29/471,641**

(22) Filed: **Nov. 4, 2013**

(51) **LOC (10) Cl.** **02-04**

(52) **U.S. Cl.**
USPC **D2/970**

(58) **Field of Classification Search**

USPC D2/896, 900, 909-911, 943, 946, 969,
D2/970, 974; 36/83, 1.5, 2 R, 109, 3 A,
36/7.1 R, 45, 52, 112, 100

See application file for complete search history.

(56) **References Cited**

U.S. PATENT DOCUMENTS

D599,999 S 9/2009 MacIntyre
D616,184 S 5/2010 Ng

Primary Examiner — Susan Bennett Hattan

Assistant Examiner — Rashida C McCoy

(74) *Attorney, Agent, or Firm* — Greer, Burns & Crain, Ltd.

(57) **CLAIM**

The ornamental design for a footwear upper, as shown and described.

DESCRIPTION

FIG. 1 is a perspective view of a footwear upper showing my new design;

FIG. 2 is a side elevational view thereof;

FIG. 3 is an opposite side elevational view thereof;

FIG. 4 is a front elevational view thereof;

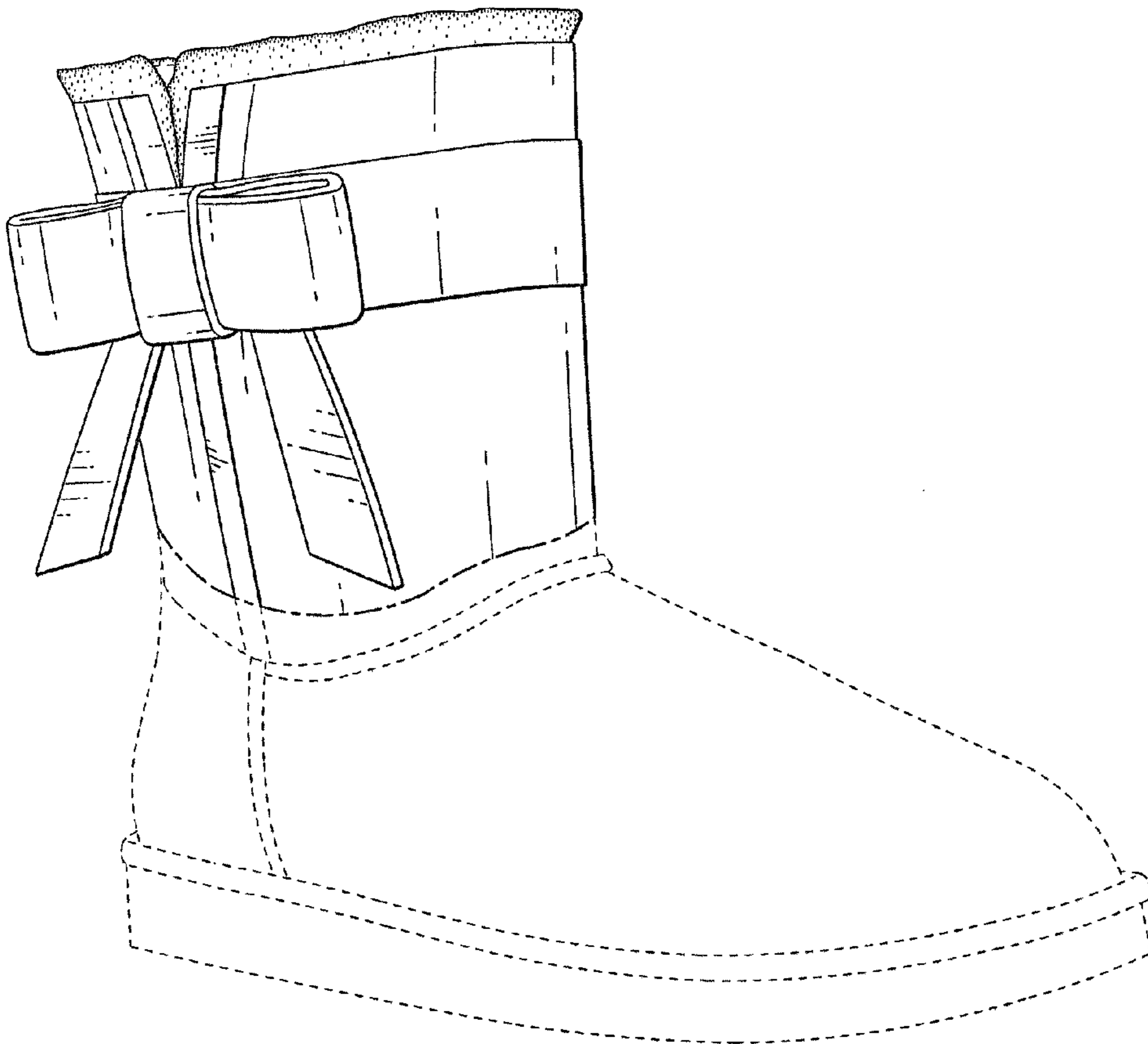
FIG. 5 is a rear elevational view thereof;

FIG. 6 is a top plan view thereof; and,

FIG. 7 is a bottom plan view thereof.

The broken lines in FIGS. 1-7 represent portions of the footwear that form no part of the claimed design. The broken line located between the exterior and the interior of the footwear upper, and the dot-dash line define the bounds of the claimed design and form no part thereof.

1 Claim, 5 Drawing Sheets



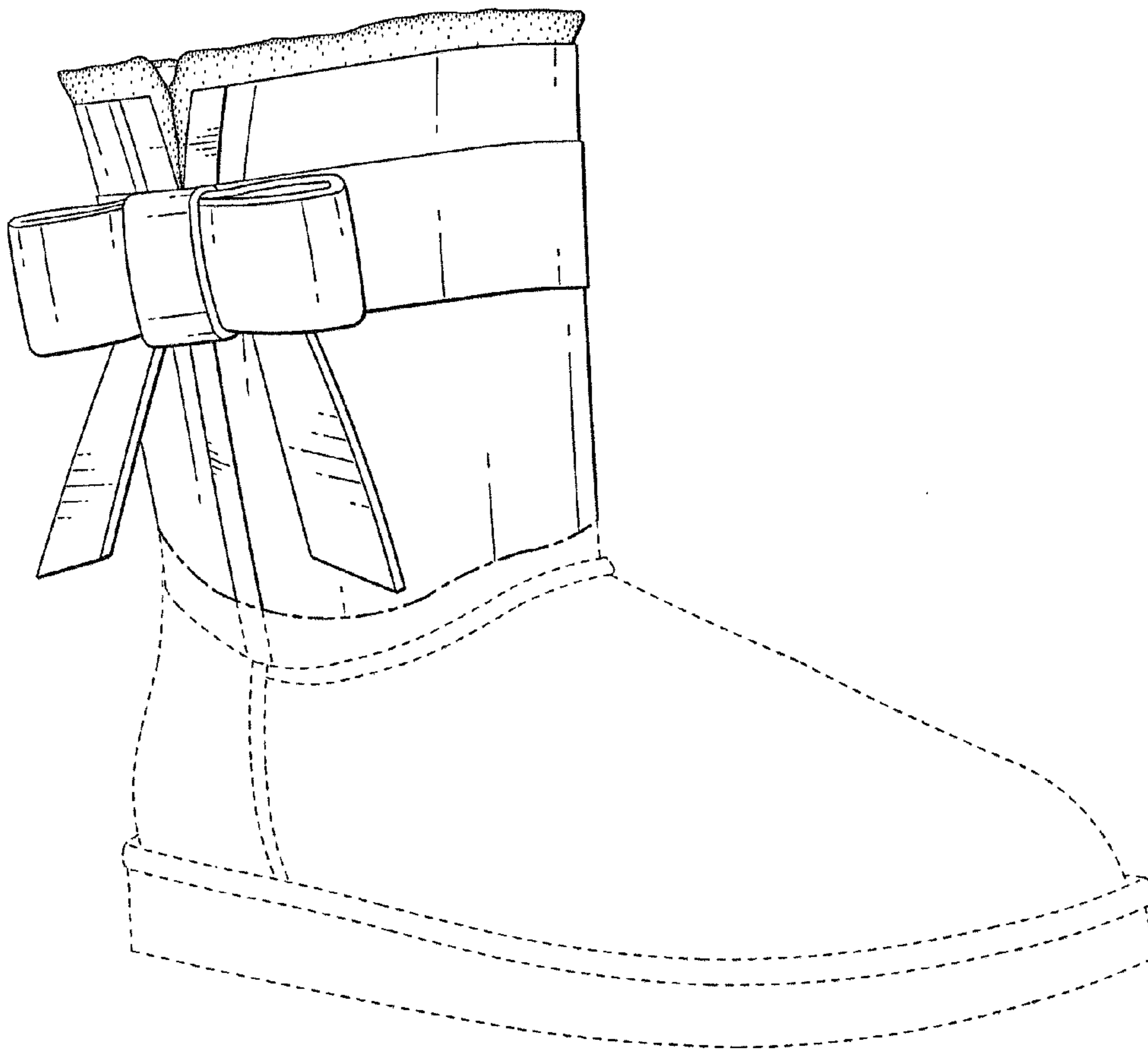


FIG. 1

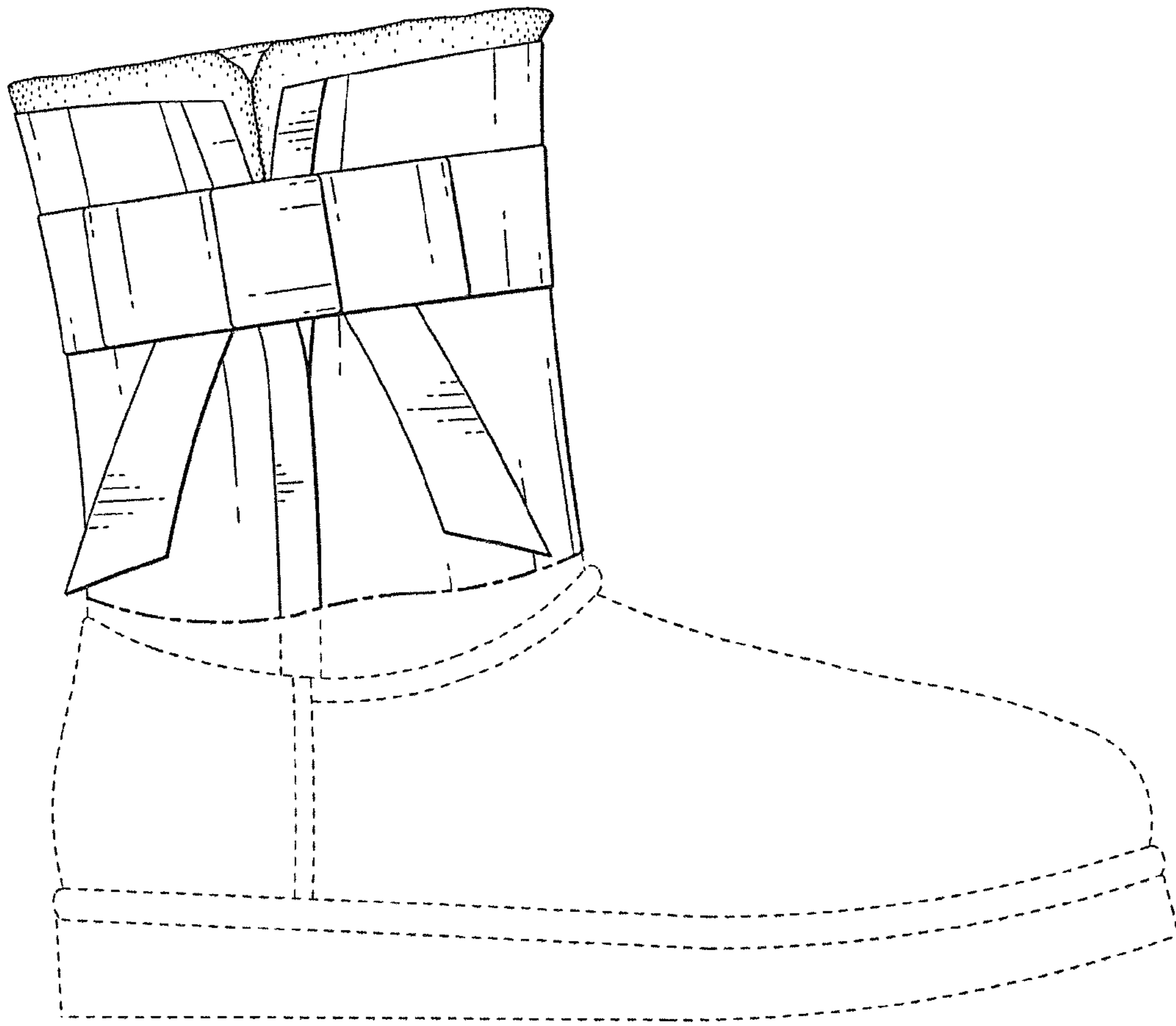


FIG. 2

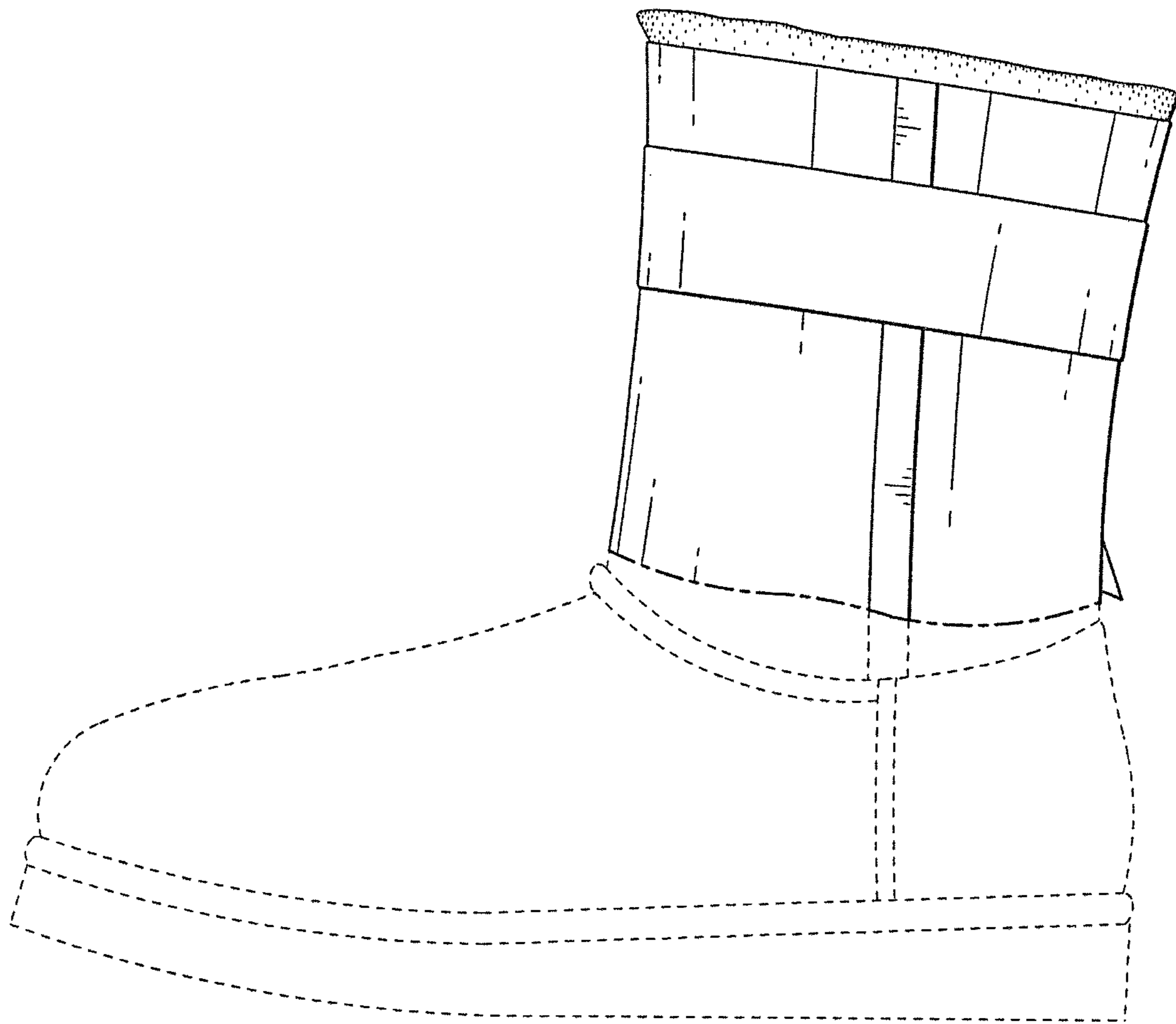


FIG. 3

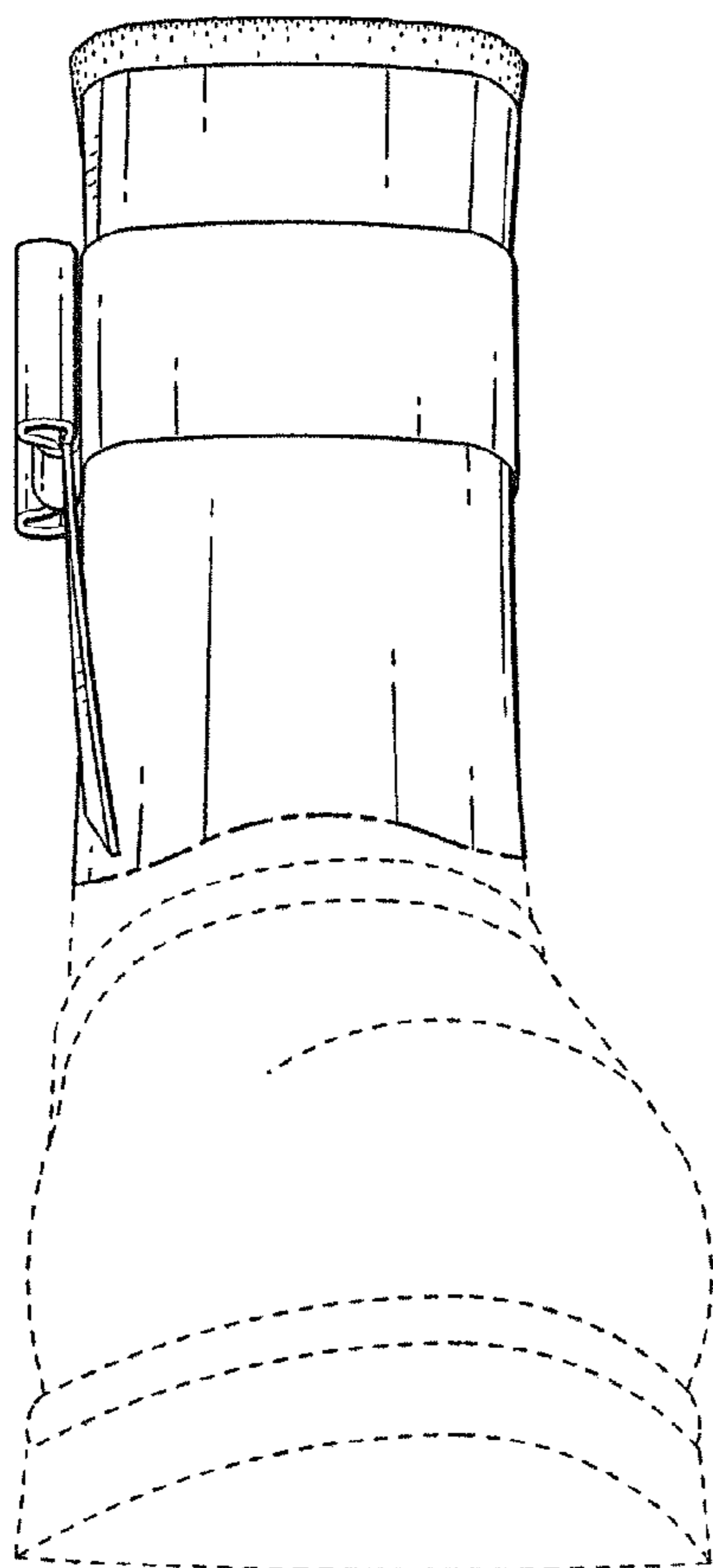


FIG. 4

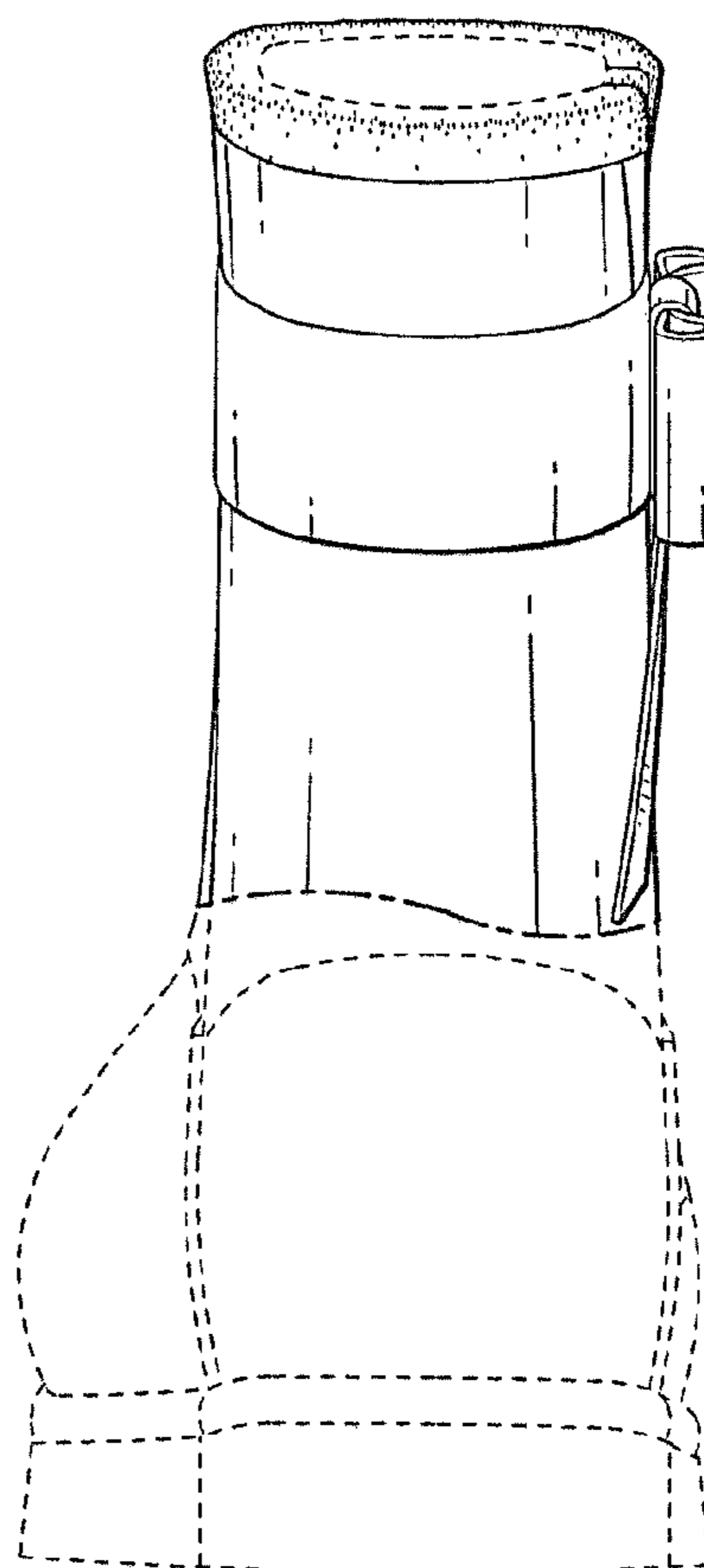


FIG. 5

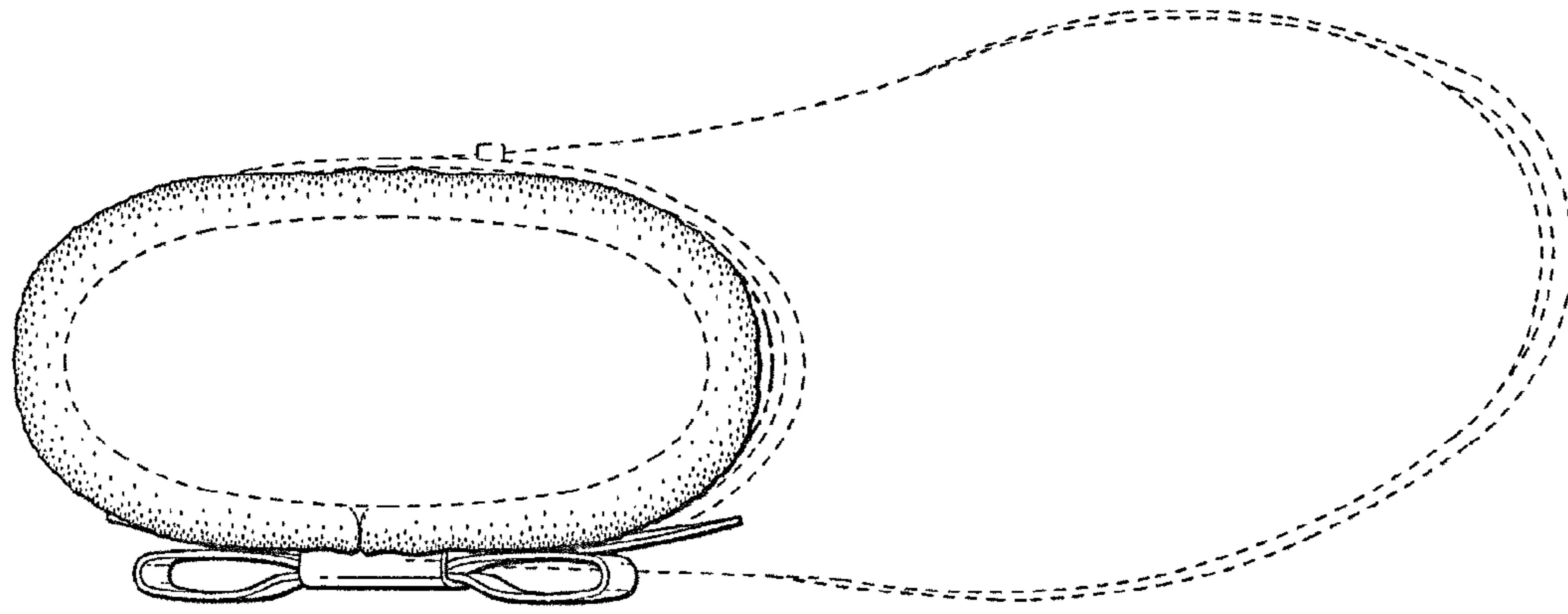


FIG. 6

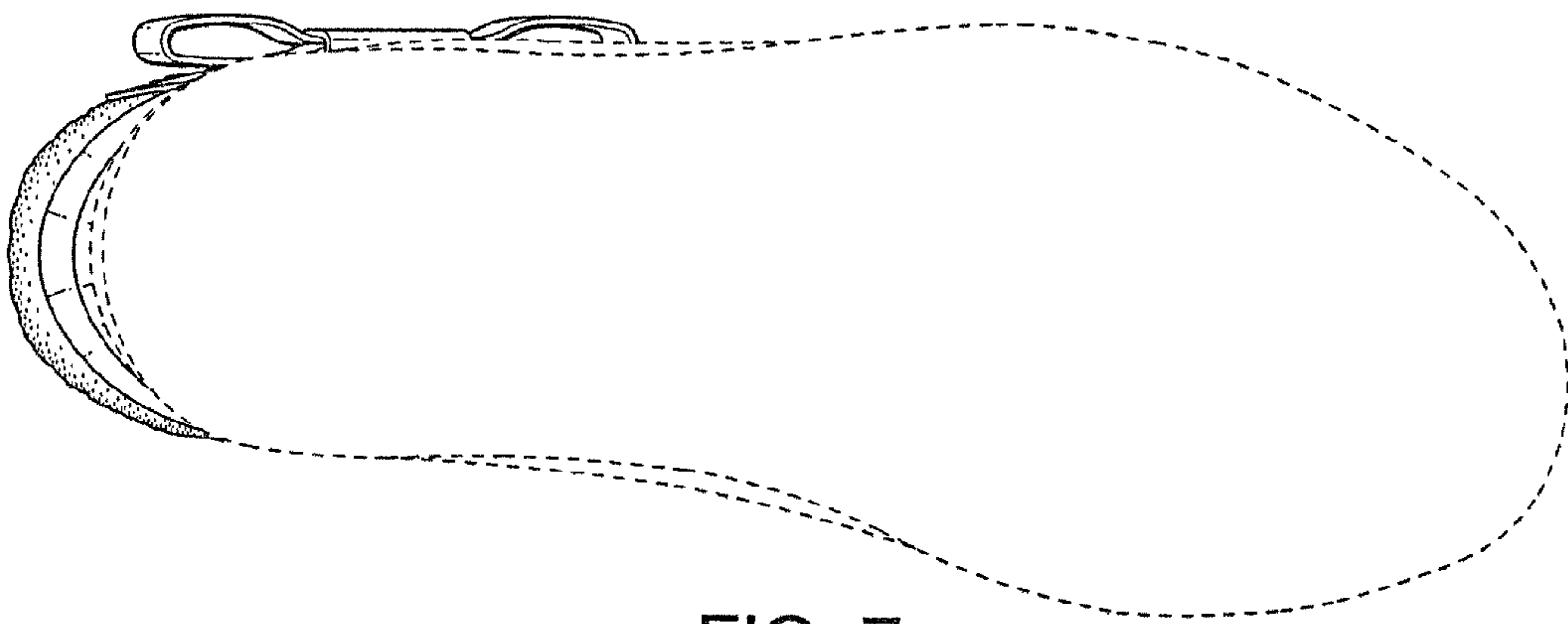


FIG. 7

UNITED STATES PATENT AND TRADEMARK OFFICE
CERTIFICATE OF CORRECTION

PATENT NO. : D705,529 S
APPLICATION NO. : 29/471641
DATED : May 27, 2014
INVENTOR(S) : Ng

Page 1 of 1

It is certified that error appears in the above-identified patent and that said Letters Patent is hereby corrected as shown below:

On the Title Page:

(56) References Cited

Page 1

Right Column, please add:

D76,233 S *	09/1928	Golden	D2/900
D164,667 S *	10/1951	Bingham Jr.	D2/912
D284,805 S *	07/1986	Smith	D2/900
D400,343 S *	11/1998	Davidowitz	D2/910
D439,030 S *	03/2001	Bernath	D2/900
D556,996 S *	12/2007	Belley et al.	D2/970
D575,495 S *	08/2008	Le	D2/970
D646,475 S *	10/2011	Boncutter	D2/970

Signed and Sealed this
Fourteenth Day of October, 2014



Michelle K. Lee
Deputy Director of the United States Patent and Trademark Office