



US00D705526S

(12) **United States Design Patent**  
**Clark**

(10) **Patent No.:** **US D705,526 S**

(45) **Date of Patent:** **\*\* May 27, 2014**

(54) **BALL CAP FOR ACCOMMODATING A BOTTLE OPENER**

(75) Inventor: **Christopher Clark**, N. Ferrisburgh, VT (US)

(73) Assignee: **Bartule LLC**, N. Ferrisburgh, VT (US)

(\*\*) Term: **14 Years**

(21) Appl. No.: **29/422,859**

(22) Filed: **May 24, 2012**

(51) **LOC (10) Cl.** ..... **02-03**

(52) **U.S. Cl.**  
USPC ..... **D2/882; D2/866**

(58) **Field of Classification Search**  
USPC ..... D2/865, 866, 882, 883, 884, 886, 891, D2/892, 893, 894, 895; D8/33, 34; 2/10, 2/12, 68, 171, 175.1, 175.2, 175.3, 183, 2/195.1, 195.2, 195.3, 195.4, 195.5, 2/195.6, 195.7, 200.1, 200.2, 209.11, 2/209.12, 209.13

See application file for complete search history.

(56) **References Cited**

**U.S. PATENT DOCUMENTS**

324,073	A *	8/1885	Baruch et al.	2/209.13
D51,962	S *	4/1918	Januchowsky	D8/18
D174,517	S *	4/1955	Schwartz	D2/872
D187,519	S *	3/1960	Lasting	D2/865
5,075,898	A *	12/1991	Bedient	2/10
D370,334	S *	6/1996	Stevenson et al.	D2/882
5,581,813	A *	12/1996	Henschel	2/195.1
D384,488	S *	10/1997	Kaufman	D2/866
D394,790	S *	6/1998	Joergensen	D8/33
D396,738	S *	8/1998	Territo	D2/866
5,845,987	A *	12/1998	Painter	362/206
6,168,286	B1 *	1/2001	Duffy	362/106
6,175,963	B1 *	1/2001	Loeffelholz	2/209.13
D456,118	S *	4/2002	Hill	D2/866
D473,437	S *	4/2003	Klein et al.	D8/34

D491,714	S *	6/2004	Upcott	D2/875
D492,093	S *	6/2004	Park	D2/882
D503,516	S *	4/2005	Wysopal	D2/866
D505,847	S *	6/2005	Kelleghan	D8/40
D522,822	S	6/2006	Dighton et al.	
D538,010	S *	3/2007	Pegula	D2/878
D540,130	S	4/2007	Wysopal	
D548,931	S	8/2007	Valcourt	
D550,931	S *	9/2007	Valcourt	D2/866
D550,932	S	9/2007	Cunliffe	
7,284,284	B2	10/2007	Wysopal	

(Continued)

**OTHER PUBLICATIONS**

The Bottlecap by Bartule [on-line]; retrieved from the Internet on Aug. 7, 2013. URL: >[http://bartule.com/product\\_info.php?products\\_id=3](http://bartule.com/product_info.php?products_id=3)<. (1 page).\*

*Primary Examiner* — Karen E Eldridge Powers  
(74) *Attorney, Agent, or Firm* — Neal Gerber & Eisenberg LLP

(57) **CLAIM**  
The ornamental design for the ball cap for accommodating a bottle opener, as shown and described.

**DESCRIPTION**

FIG. 1 is an exploded front perspective view of the ball cap for accommodating a bottle opener of the present invention. The jagged broken line is merely illustrative to show how an exemplary bottle opener is accommodated by the ball cap for accommodating a bottle opener, and forms no part of the claimed design;

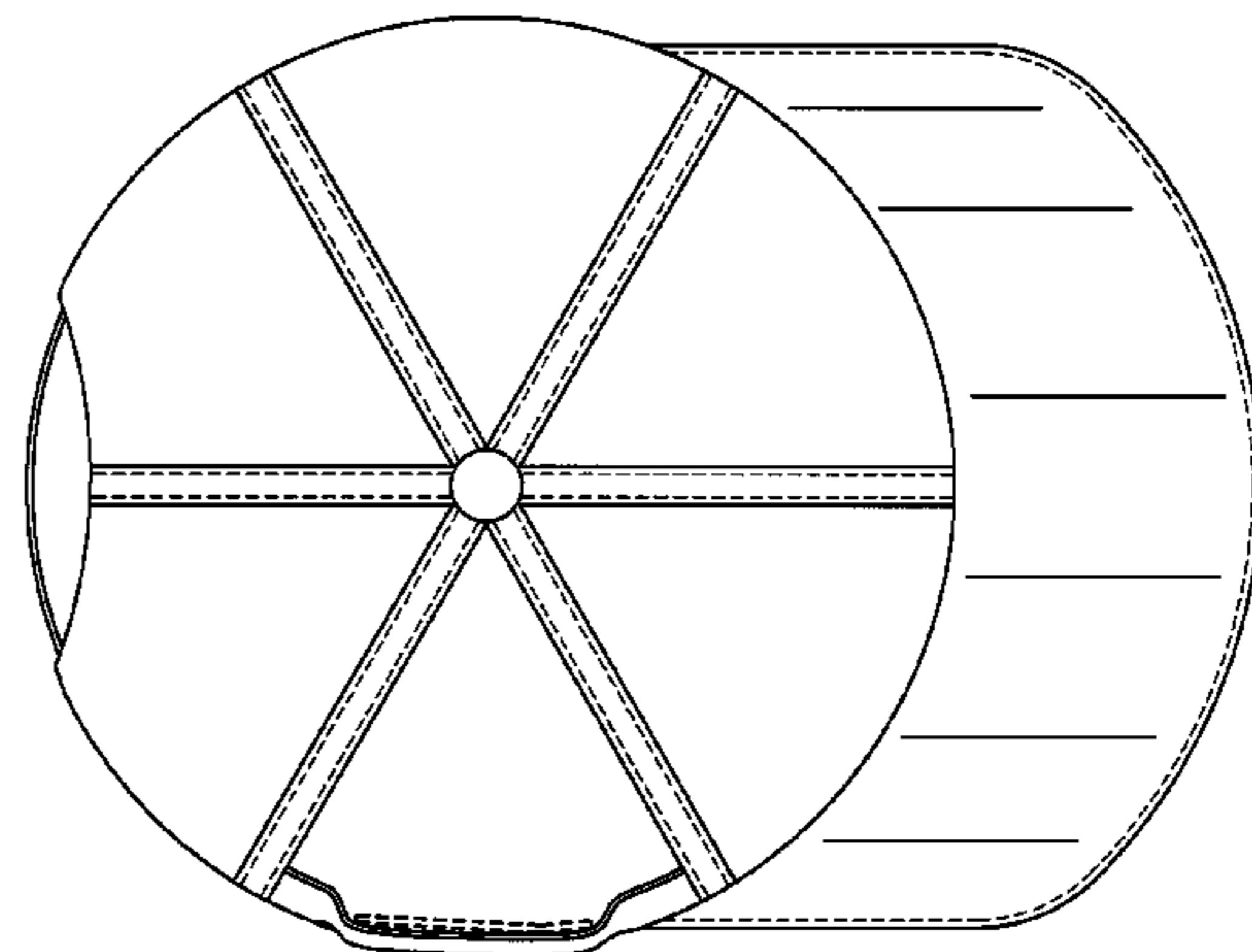
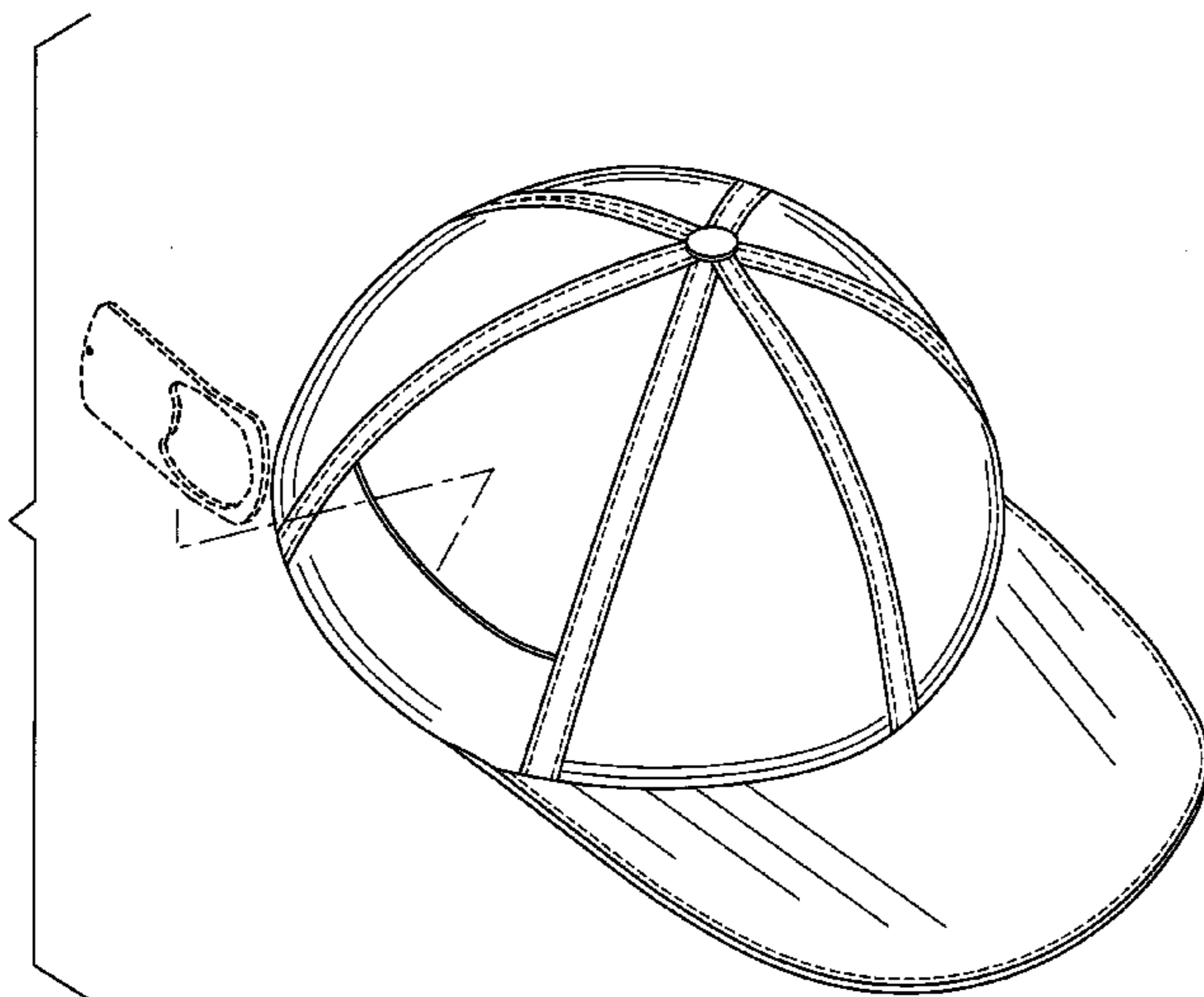
FIG. 2 is a top plan view thereof;

FIG. 3 is a side elevation view thereof; and,

FIG. 4 is an enlarged perspective view of the exemplary bottle opener shown in FIG. 1.

The broken lines in FIGS. 1-4 of the ball cap for accommodating a bottle opener are for the purpose of illustrating environment, and form no part of the claimed design.

**1 Claim, 4 Drawing Sheets**



(56)

**References Cited**

U.S. PATENT DOCUMENTS

7,325,255 B2 *	2/2008	Cunliffe .....	2/209.13	7,904,970 B2 *	3/2011	Thomas .....	2/209.13
D568,029 S *	5/2008	Niles .....	D2/882	D642,374 S *	8/2011	Morrish et al. ....	D3/210
D568,583 S *	5/2008	Niles .....	D2/882	8,136,169 B2 *	3/2012	Taylor .....	2/171.3
D571,539 S *	6/2008	Valcourt .....	D2/866	8,196,221 B2 *	6/2012	Fuwausa et al. ....	2/69
D571,982 S *	7/2008	Kirby .....	D2/882	D662,694 S *	7/2012	Connolly .....	D2/882
D582,131 S	12/2008	French, III et al.		D675,812 S *	2/2013	Richards .....	D2/882
7,469,428 B2	12/2008	Brauner et al.		8,388,164 B2 *	3/2013	Waters .....	362/106
7,753,547 B2 *	7/2010	Waters .....	362/106	2004/0205878 A1 *	10/2004	Goldsby et al. ....	2/209.13
D630,004 S *	1/2011	Martinez .....	D2/865	2008/0016602 A1 *	1/2008	Baldwin .....	2/209.13
				2009/0210995 A1 *	8/2009	Kwon et al. ....	2/209.13
				2010/0313335 A1 *	12/2010	Waters .....	2/209.13
				2011/0094014 A1 *	4/2011	Chang .....	2/175.1

\* cited by examiner

FIG. 1

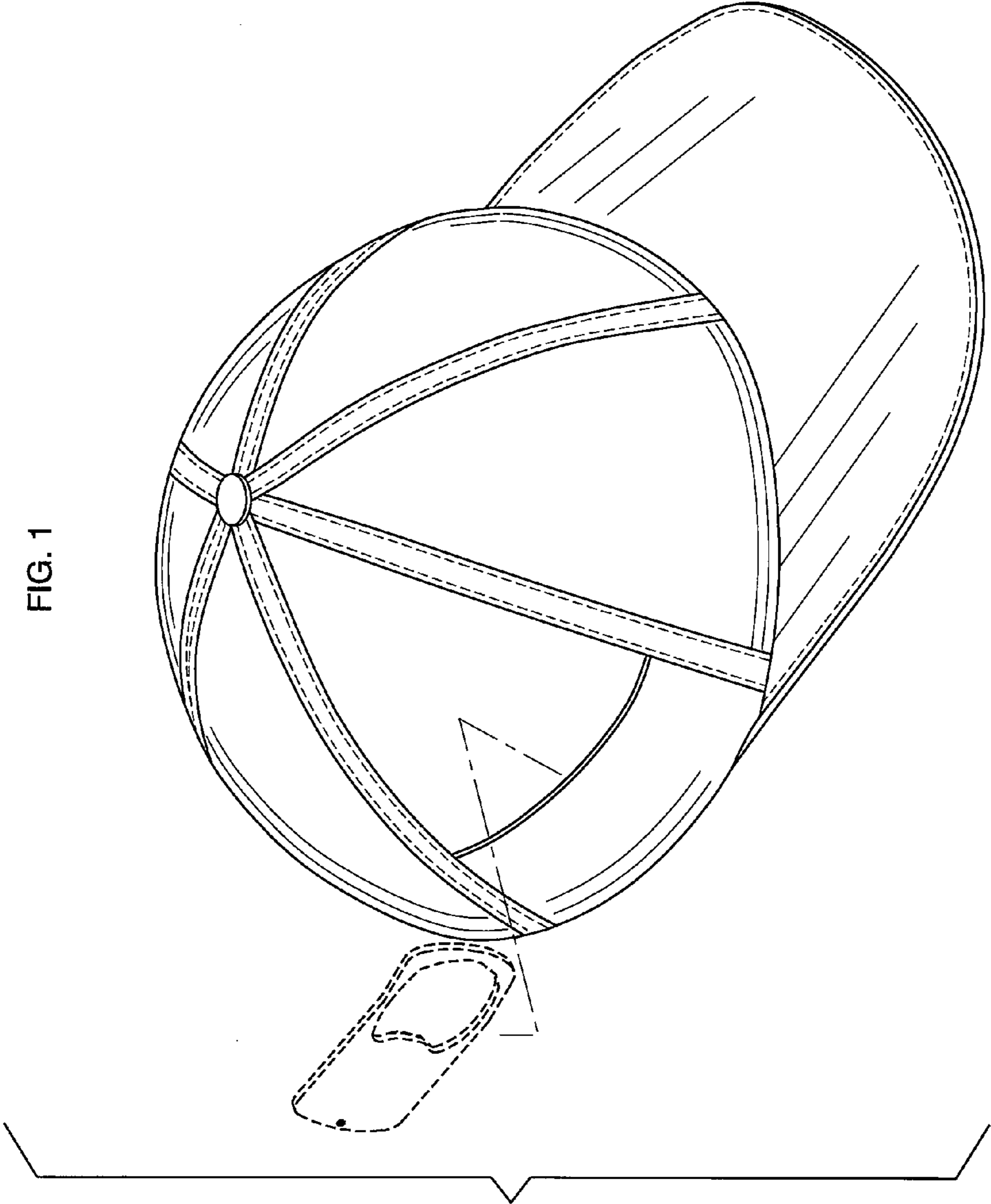


FIG. 2

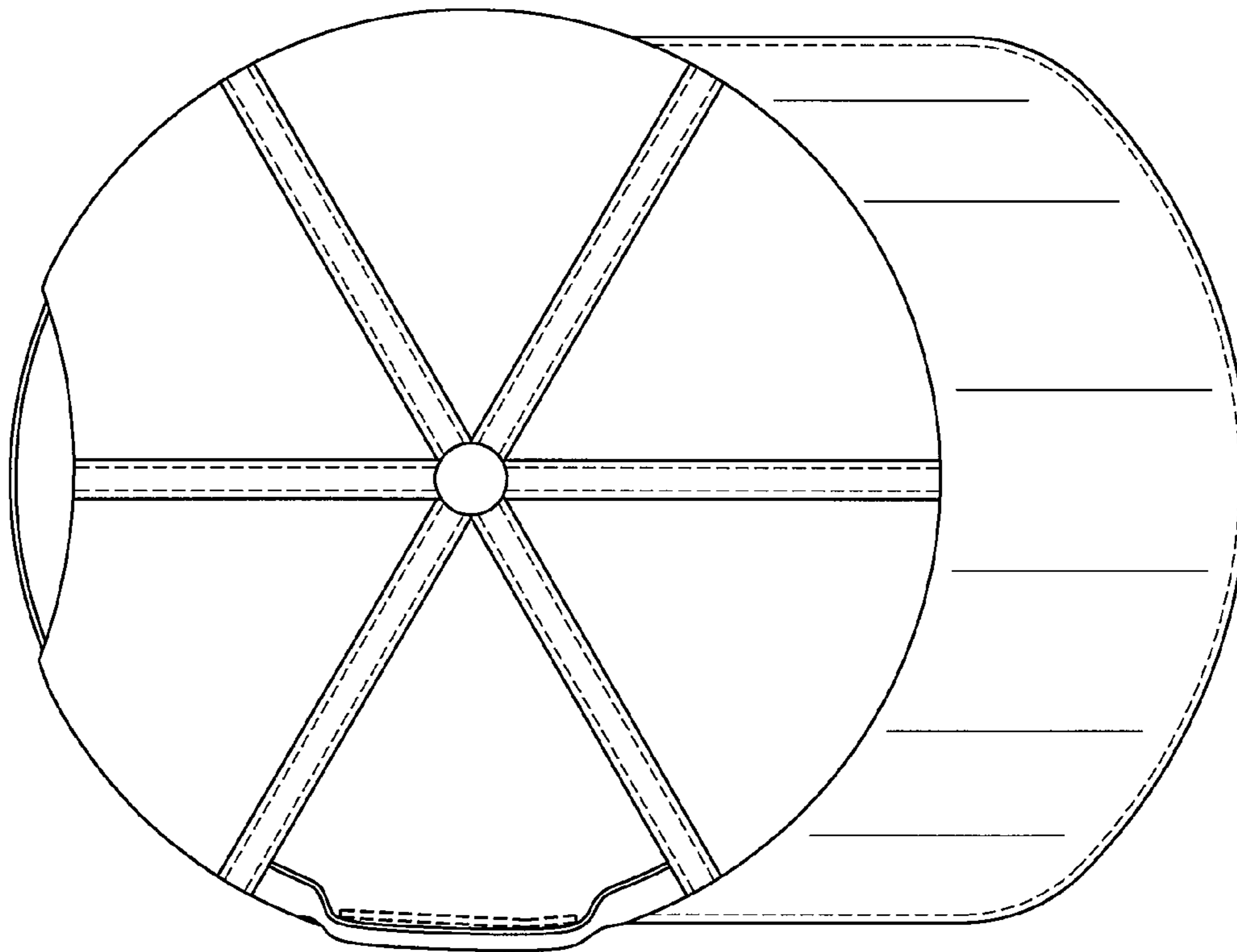


FIG. 3

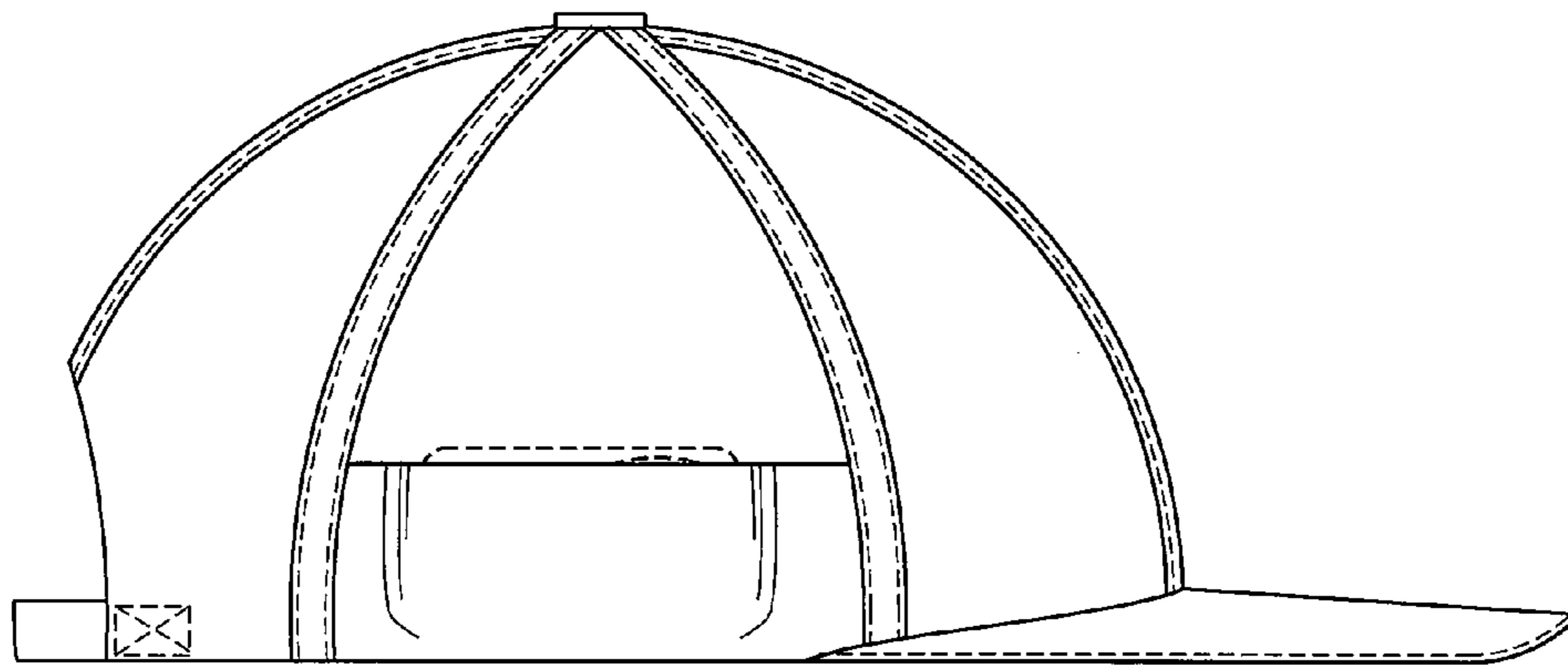


FIG. 4

